



US00D456831S

(12) **United States Design Patent**  
**Mori et al.**

(10) **Patent No.:** **US D456,831 S**

(45) **Date of Patent:** **\*\* May 7, 2002**

(54) **VIDEO PROJECTOR**

D449,636 S \* 10/2001 Gotham et al. .... D16/225

(75) Inventors: **Masakazu Mori; Masaaki Goto**, both of Ehime (JP)

(73) Assignee: **Matsushita Electric Industrial Co., Ltd.**, Osaka (JP)

(\*\*) Term: **14 Years**

(21) Appl. No.: **29/142,958**

(22) Filed: **Jun. 4, 2001**

(30) **Foreign Application Priority Data**

Dec. 8, 2000 (JP) ..... 2000-035122

(51) **LOC (7) Cl.** ..... **16-02**

(52) **U.S. Cl.** ..... **D16/225**

(58) **Field of Search** ..... D16/200-203,  
D16/205, 208, 214, 221, 225, 227, 230;  
D21/514; 352/34, 342; 353/115, 119, 122

(56) **References Cited**

**U.S. PATENT DOCUMENTS**

- D150,914 S \* 9/1948 Wolfer et al. .... D16/221
- 3,271,095 A \* 9/1966 Jensen et al. .... 352/34
- D382,002 S \* 8/1997 Hix et al. .... D16/231
- D421,620 S \* 3/2000 Kawamoto et al. .... D16/230
- D449,634 S \* 10/2001 Gotham et al. .... D16/225

**OTHER PUBLICATIONS**

Philips '96-'97 catalog, "LCP6000" and "LCP5200," p. 2, Oct. 1996.

\* cited by examiner

*Primary Examiner*—Adir Aronovich

(74) *Attorney, Agent, or Firm*—Christensen O'Connor Johnson Kindness PLLC

(57) **CLAIM**

The ornamental design for a video projector, as shown and described.

**DESCRIPTION**

FIG. 1 is a perspective view of the top, front and right side of a video projector showing our new design;

FIG. 2 is a perspective view of the top, rear and left side thereof;

FIG. 3 is a front view thereof;

FIG. 4 is a rear view thereof;

FIG. 5 is a top plan view thereof;

FIG. 6 is a bottom view thereof;

FIG. 7 is a right side view thereof; and,

FIG. 8 is a left side view thereof.

**1 Claim, 4 Drawing Sheets**

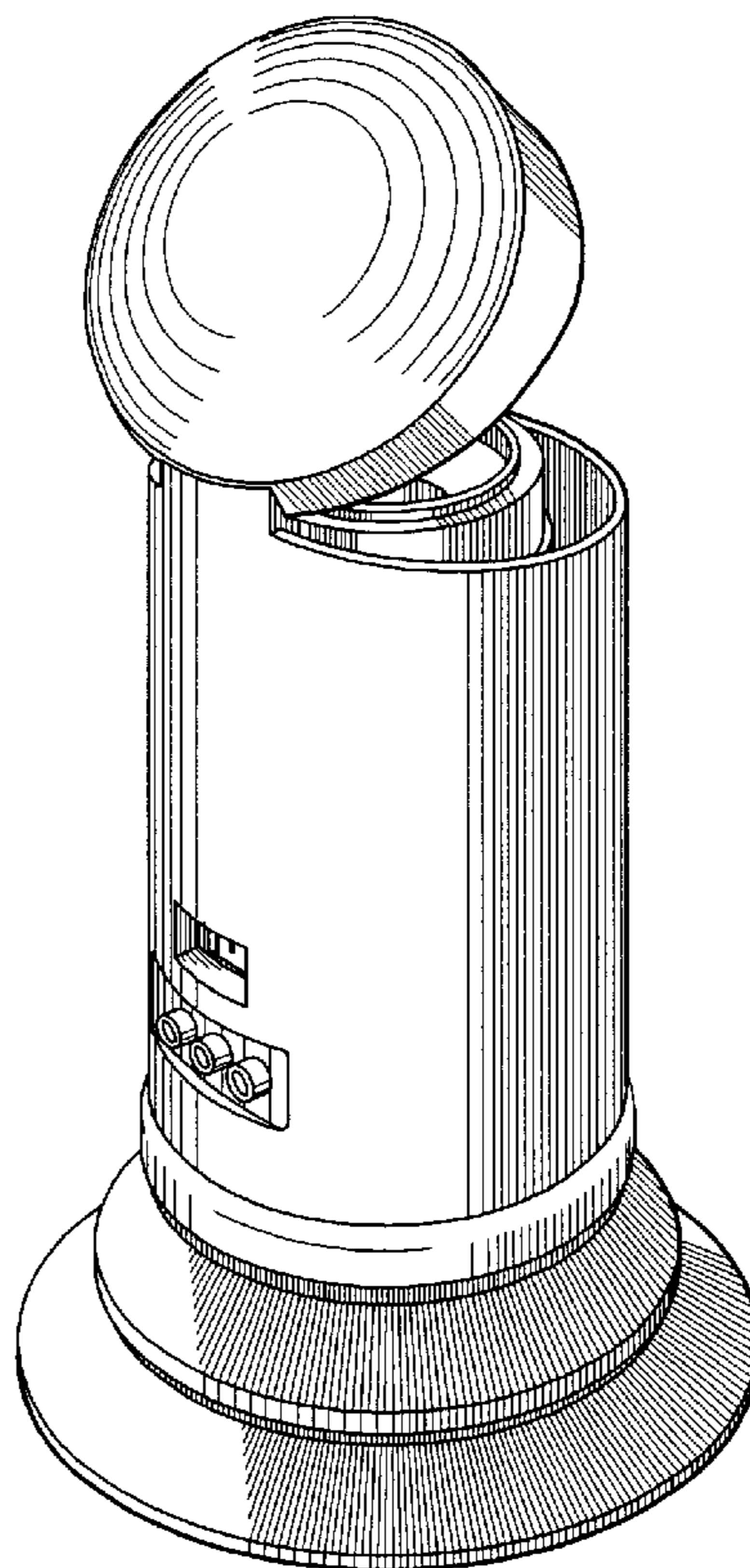
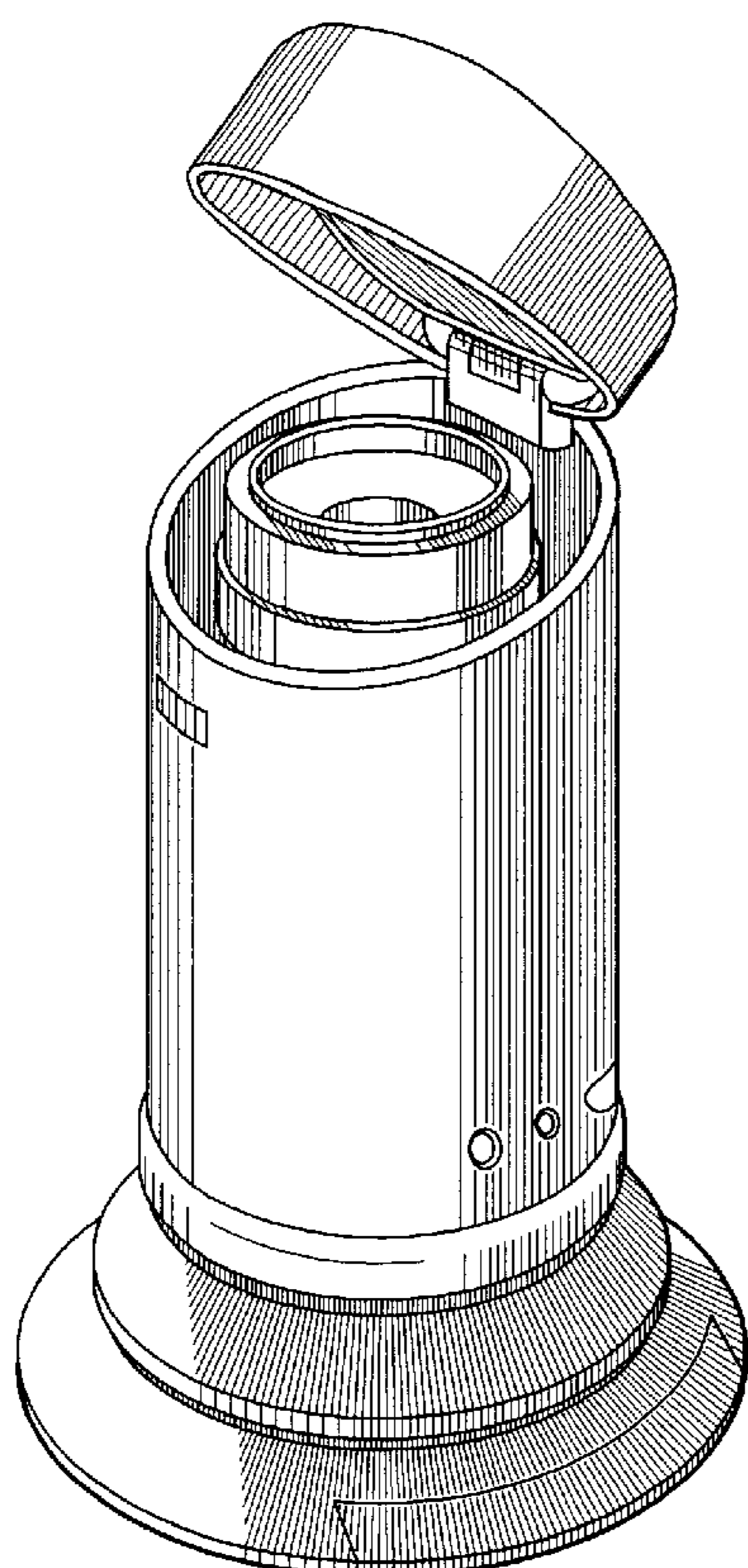


Fig. 1

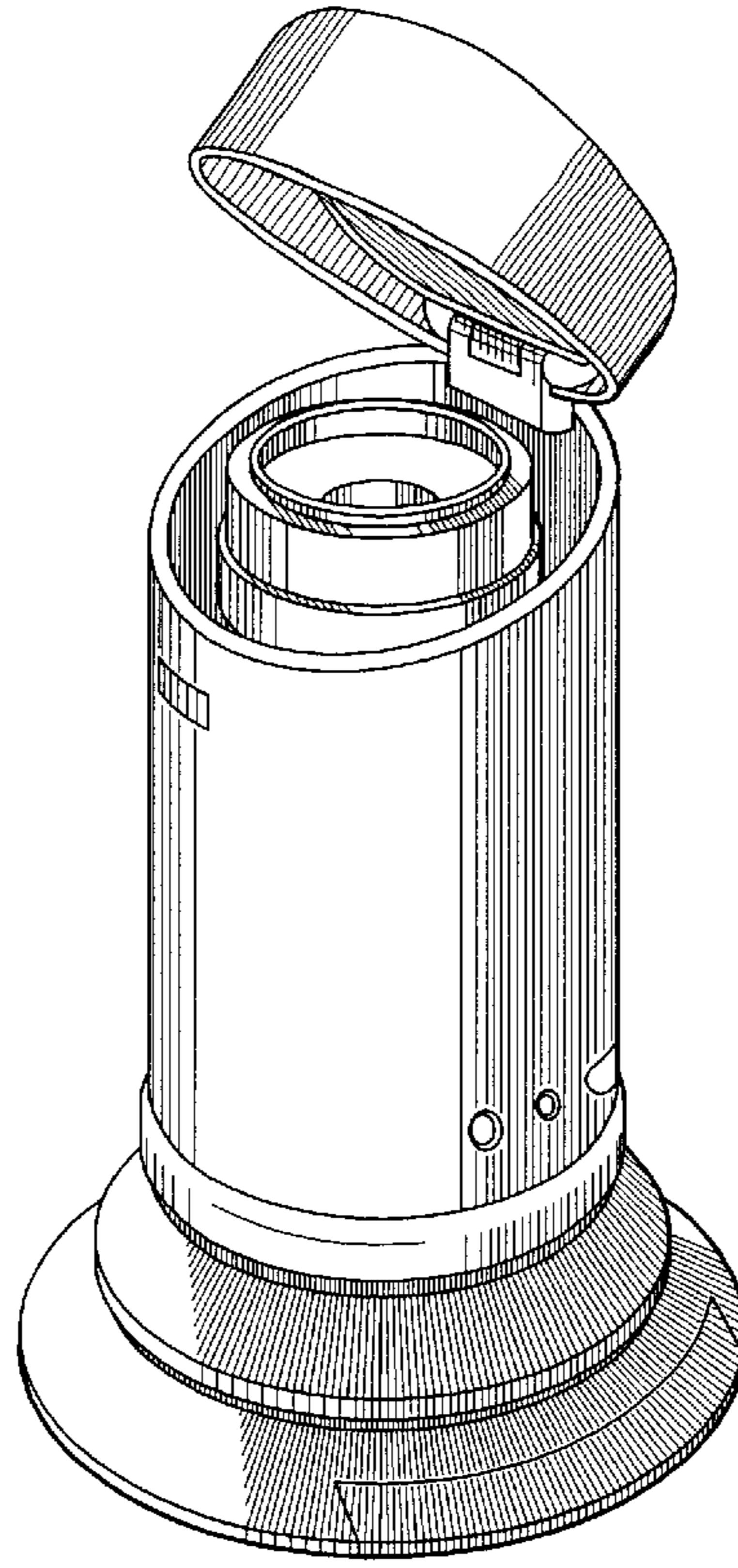


Fig. 2

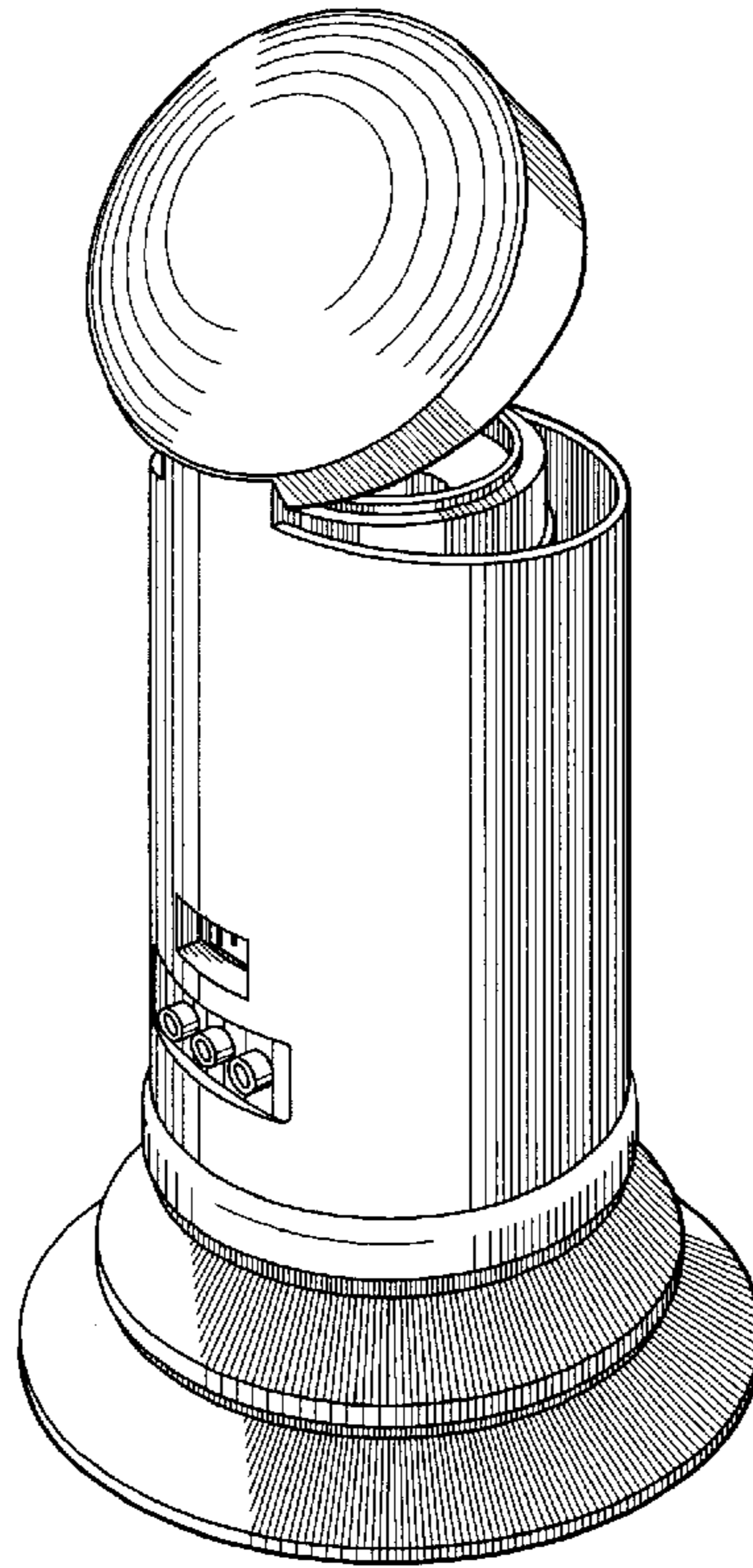


Fig. 3

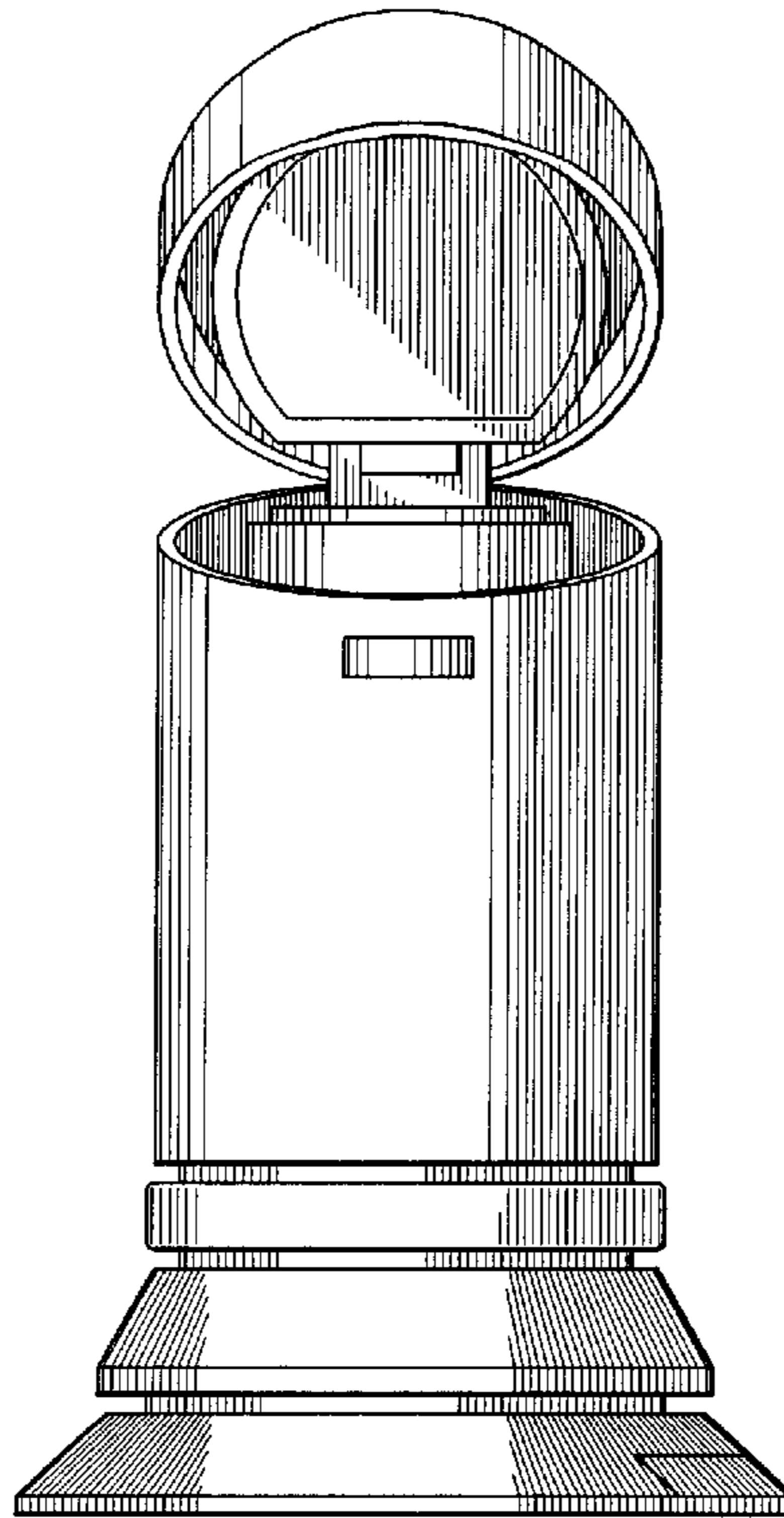


Fig. 4

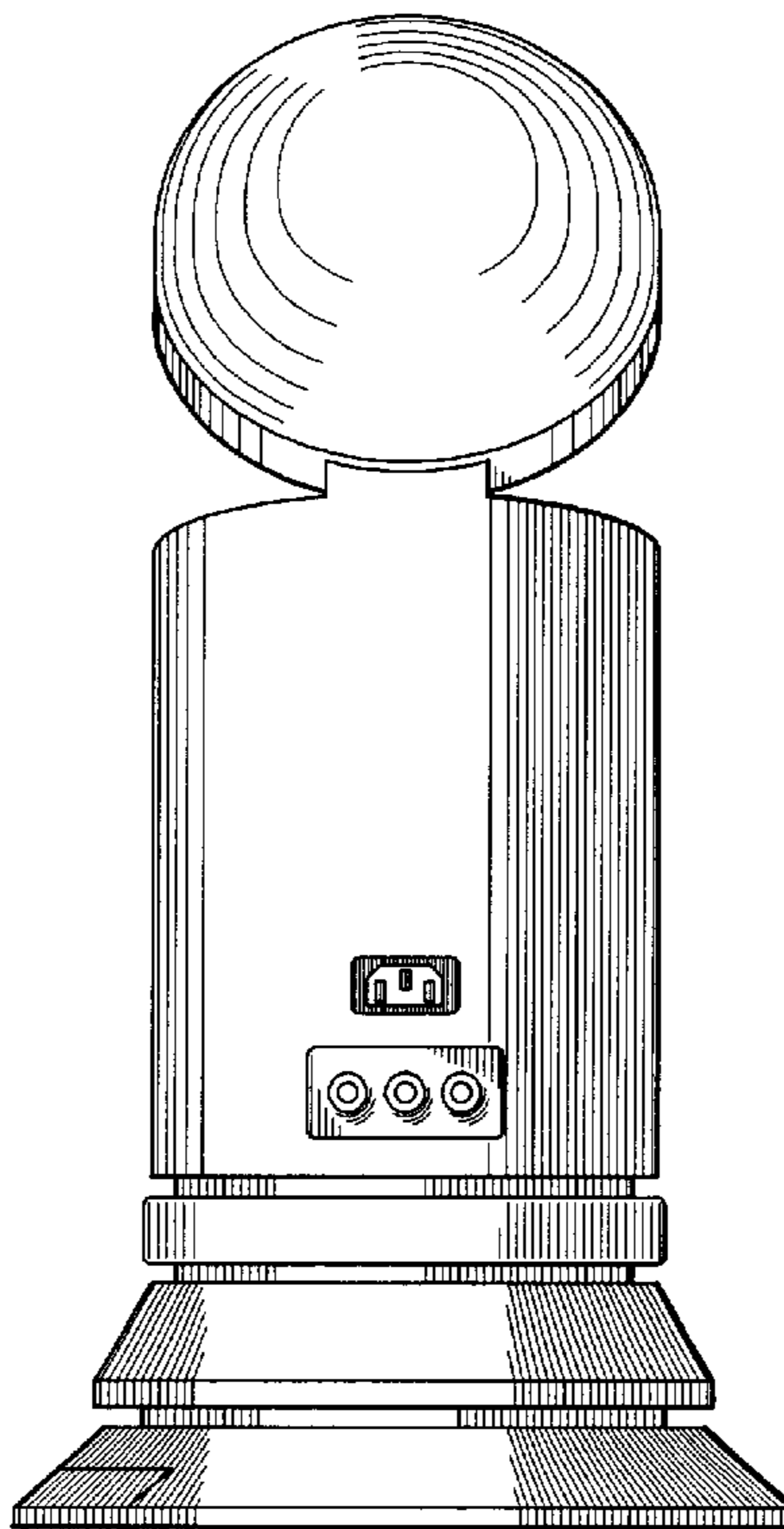


Fig. 5

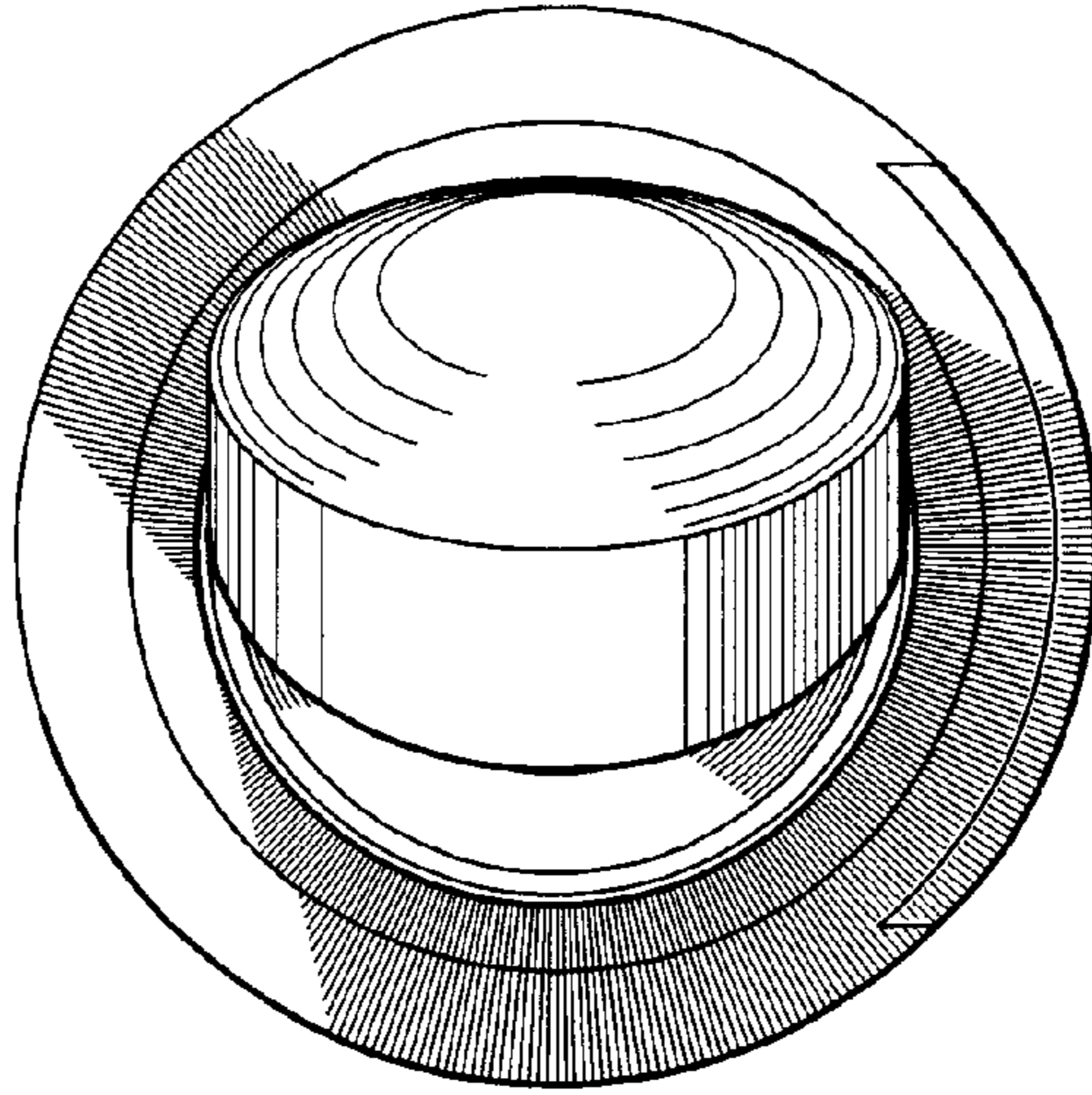


Fig. 6

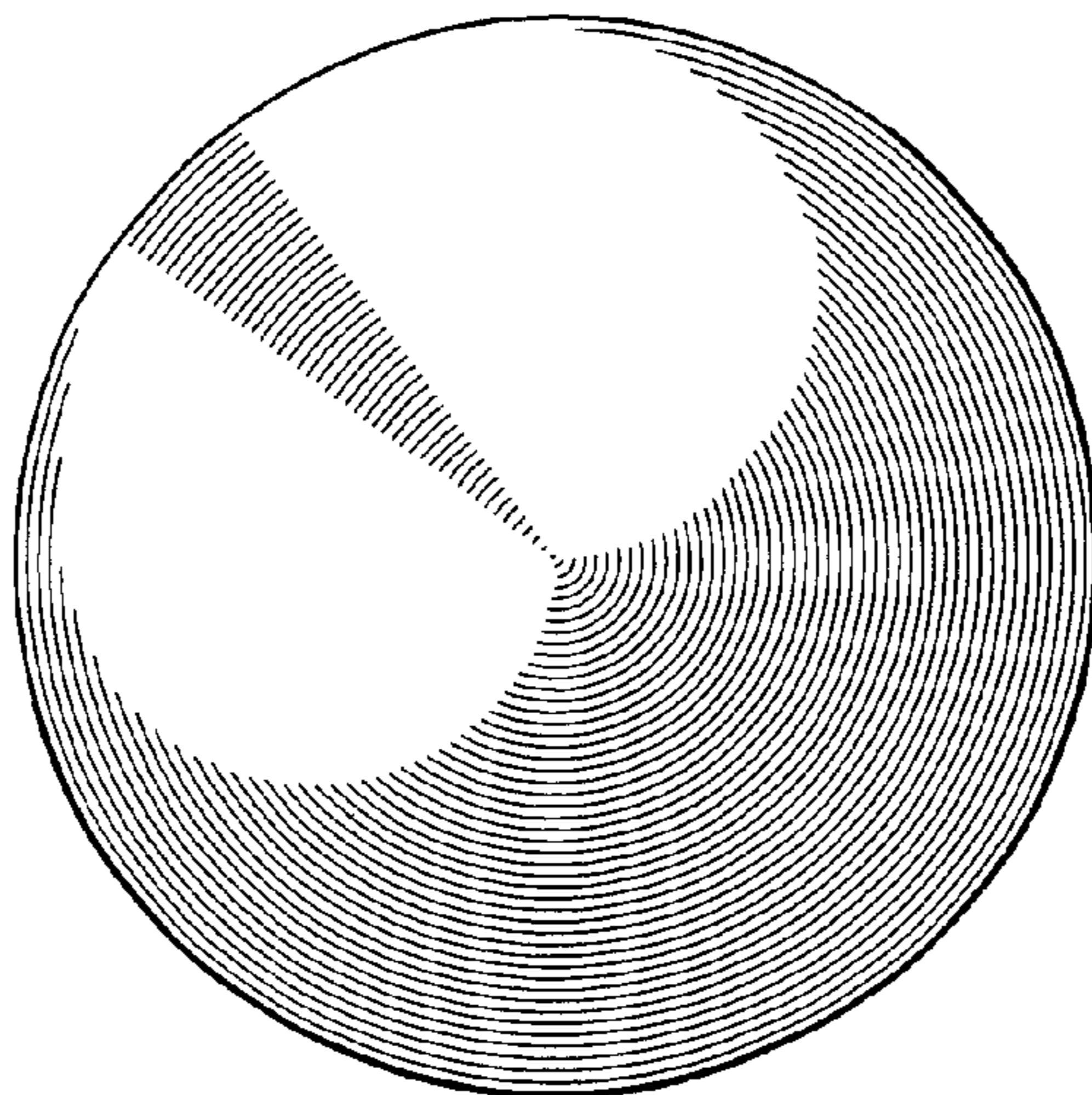


Fig. 7

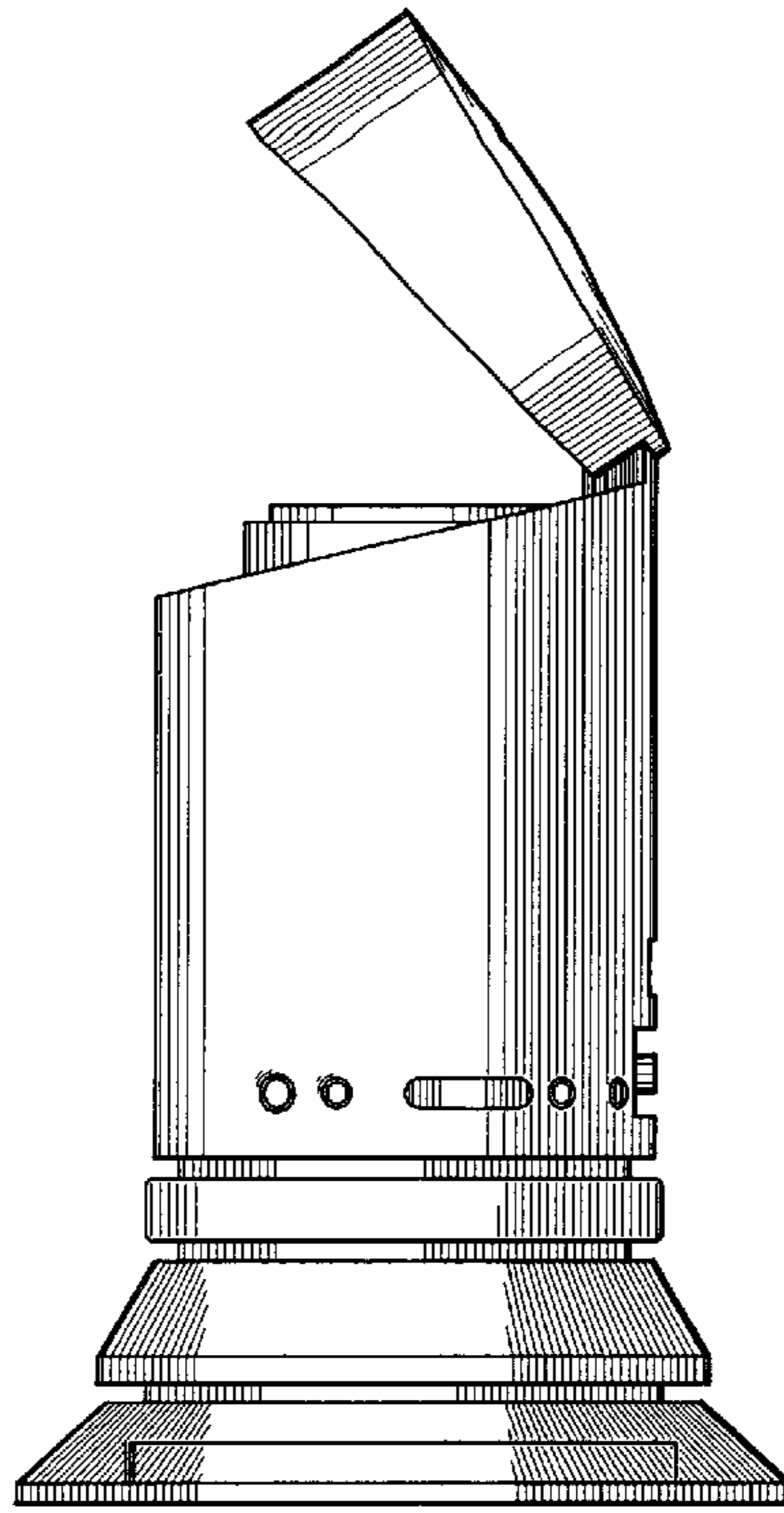


Fig. 8

