



US00D456828S

(12) **United States Design Patent**  
**Aronson, II et al.**

(10) **Patent No.:** **US D456,828 S**

(45) **Date of Patent:** **\*\* May 7, 2002**

- (54) **TORCH**
- (75) Inventors: **Louis V. Aronson, II**, Oldwick; **Adam Grabicki**, Hopatcong, both of NJ (US)
- (73) Assignee: **Ronson Corporation**, Woodbridge, NJ (US)
- (\*\*) Term: **14 Years**
- (21) Appl. No.: **29/141,477**
- (22) Filed: **May 7, 2001**
- (51) **LOC (7) Cl.** ..... **15-09**
- (52) **U.S. Cl.** ..... **D15/144**
- (58) **Field of Search** ..... D15/144, 144.1, D15/144.2; 219/75, 138.1, 132, 137.31; 431/334

5,564,918 A	10/1996	Lin	.....	431/255
D376,302 S	12/1996	Tsai	.....	D8/29.1
5,741,128 A	4/1998	Tsai	.....	431/255
5,800,155 A	9/1998	Miyanaga	.....	431/153
D416,920 S	11/1999	Chou	.....	D15/144
6,063,329 A	5/2000	Tsai	.....	266/48

\* cited by examiner

*Primary Examiner*—Antoine Duval Davis  
(74) *Attorney, Agent, or Firm*—Lerner, David, Littenberg, Krumholz & Mentlik, LLP

(57) **CLAIM**

The ornamental design for a torch, as shown and described.

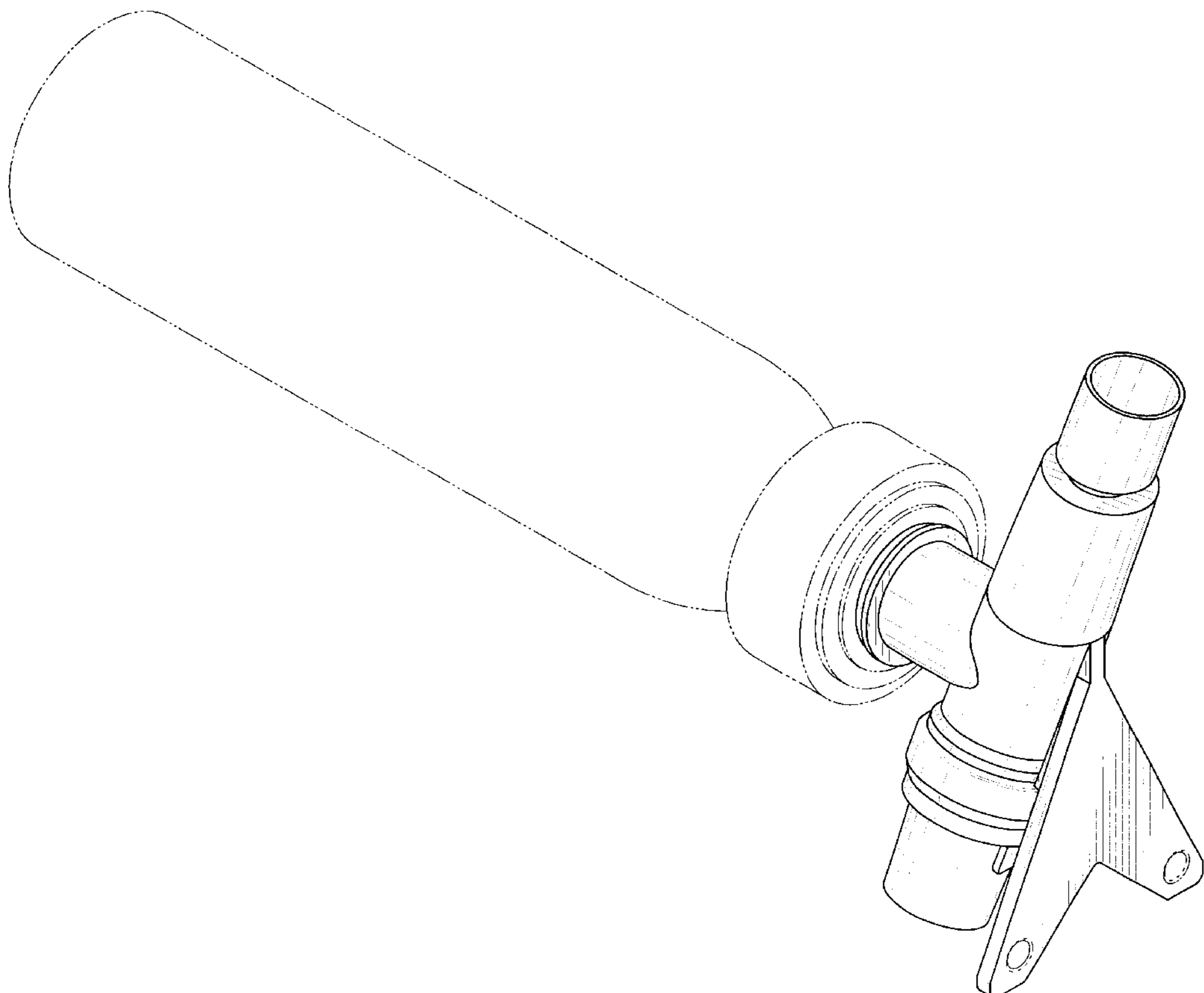
**DESCRIPTION**

FIG. 1 is a perspective view of a torch showing our new design;  
FIG. 2 is a front elevational view, the rear elevational view being a mirror image;  
FIG. 3 is a right side elevational view;  
FIG. 4 is a left side elevational view;  
FIG. 5 is a top plan view; and,  
FIG. 6 is a bottom plan view.

The broken lines shown in the drawings are for illustration purpose only and form no part of the claimed design.

**1 Claim, 4 Drawing Sheets**

- (56) **References Cited**
- U.S. PATENT DOCUMENTS**
- 4,051,344 A \* 9/1977 Robbins ..... 219/132
- D302,098 S 7/1989 Yoshinaga ..... D8/30
- D304,151 S 10/1989 Chapin et al. .... D8/30
- 4,948,942 A \* 8/1990 Hilbel ..... 219/132
- D335,804 S 5/1993 Burgin ..... D8/30
- 5,466,149 A 11/1995 Tsai ..... 431/344



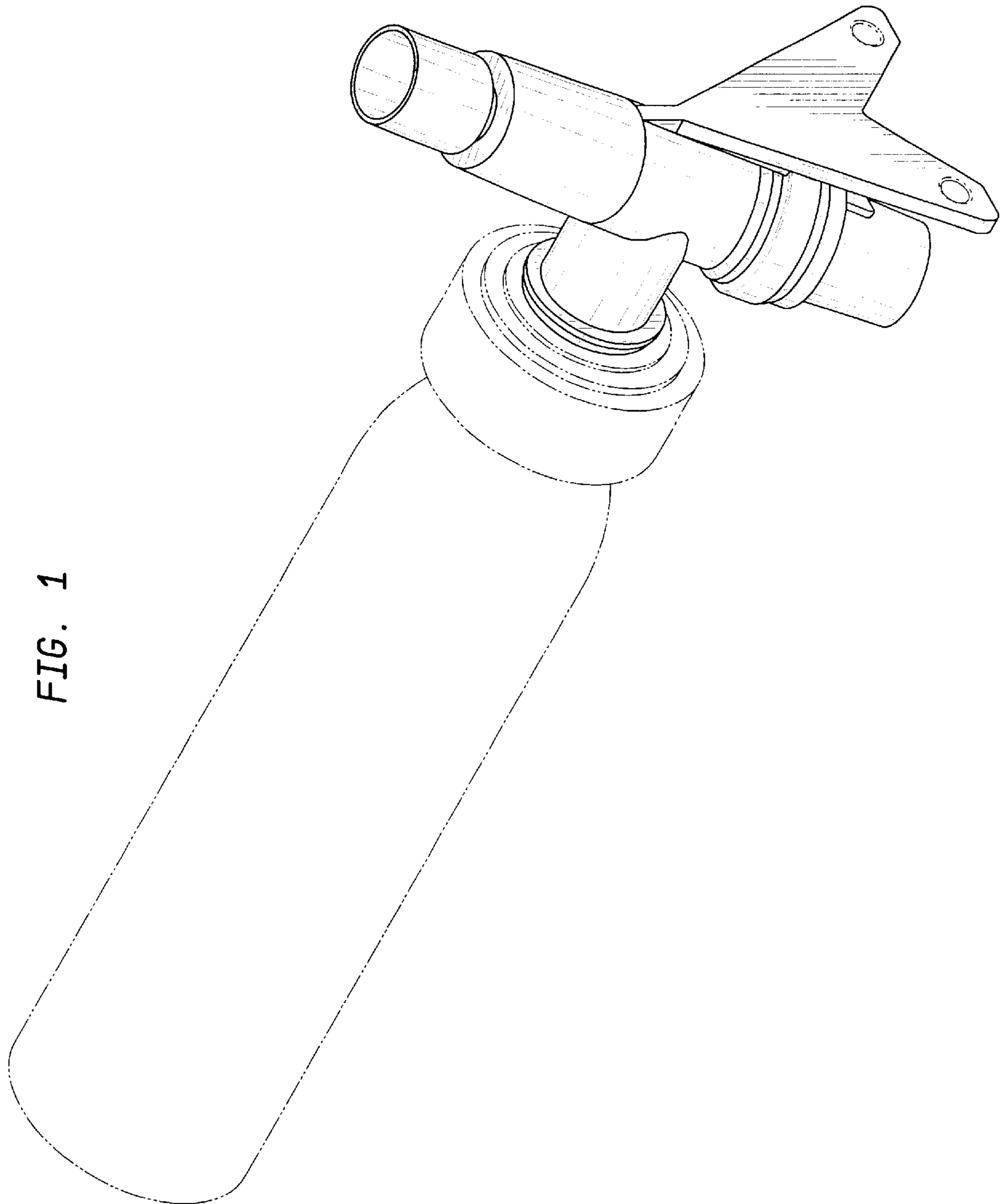


FIG. 2

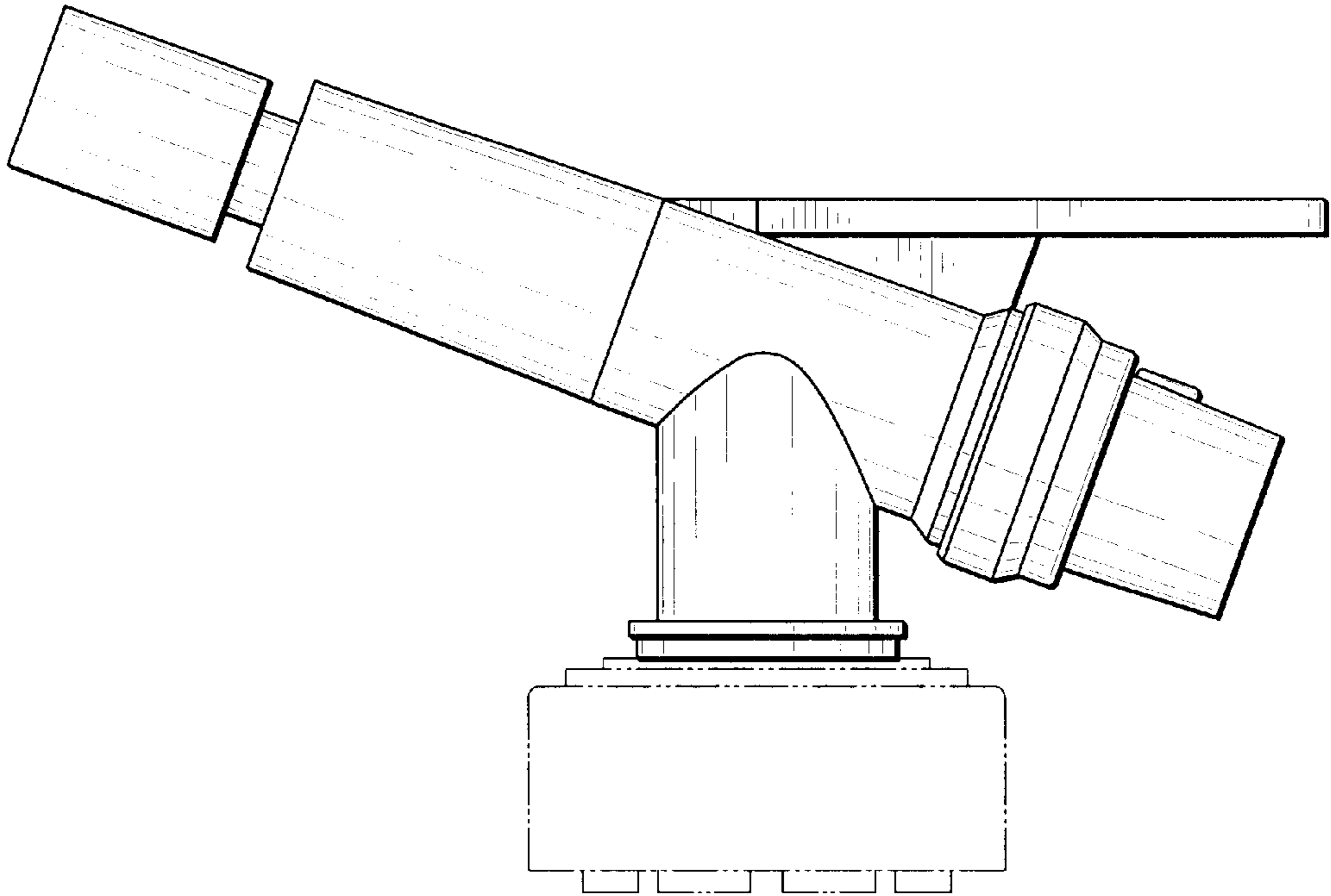


FIG. 3

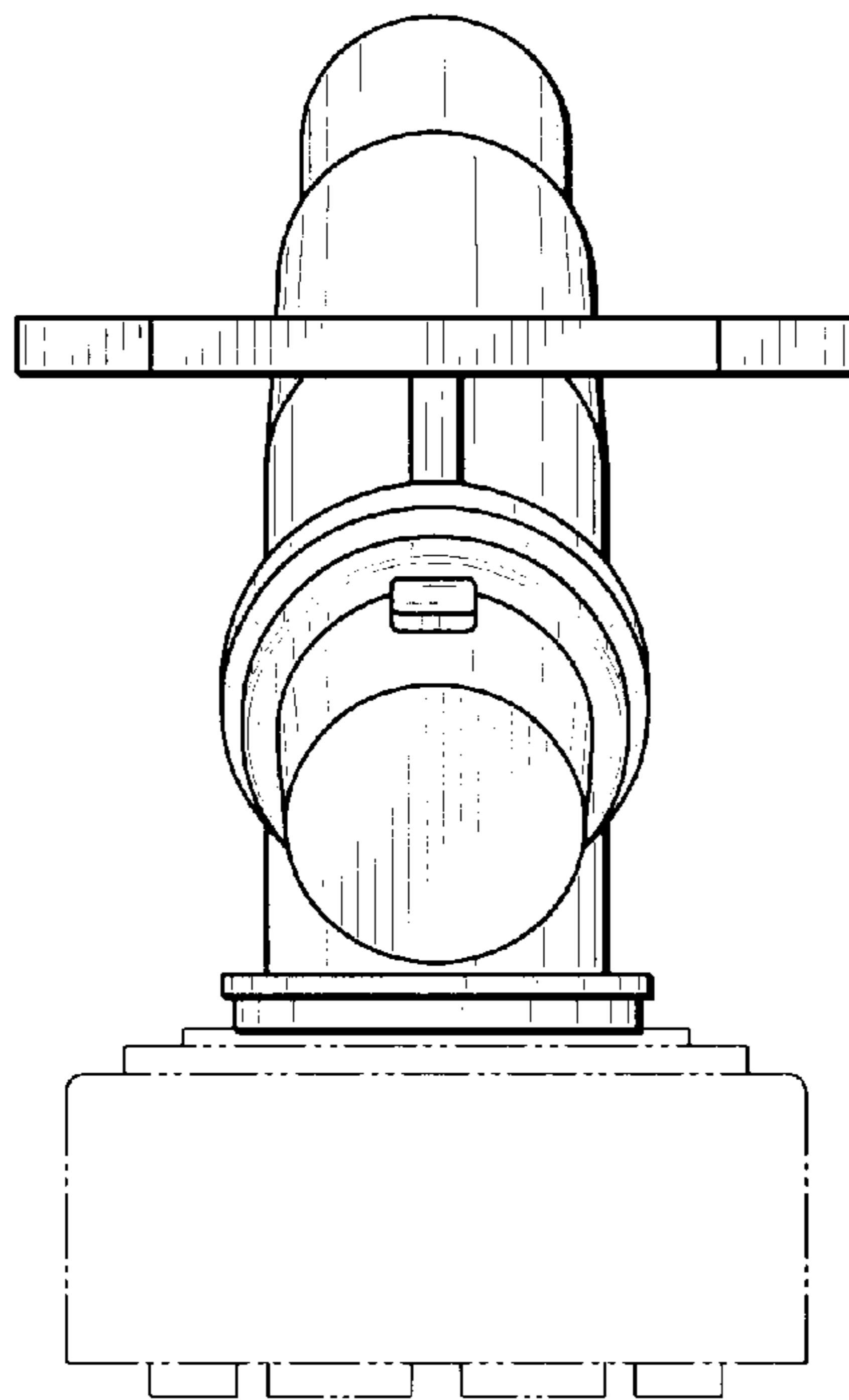


FIG. 4

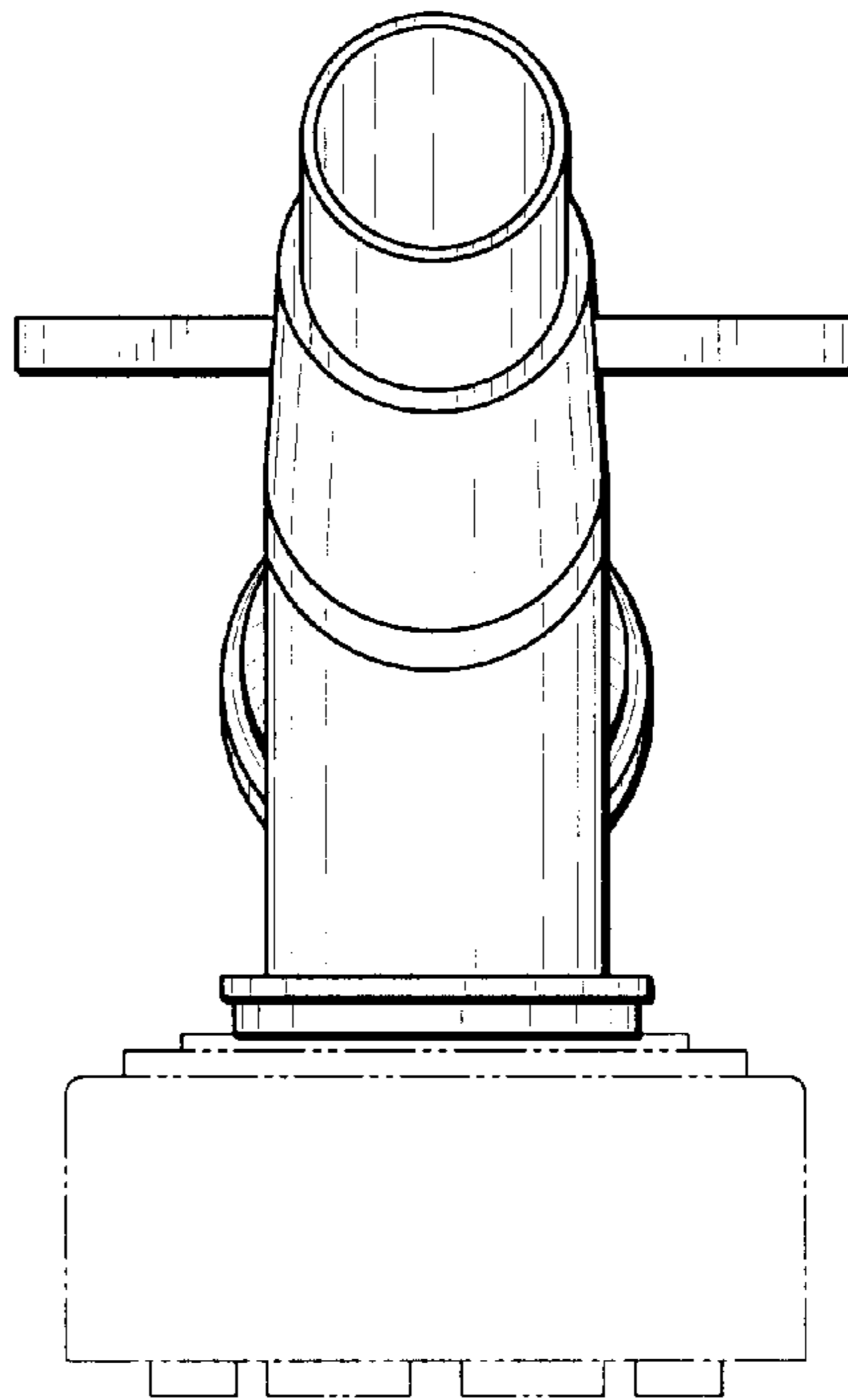


FIG. 5

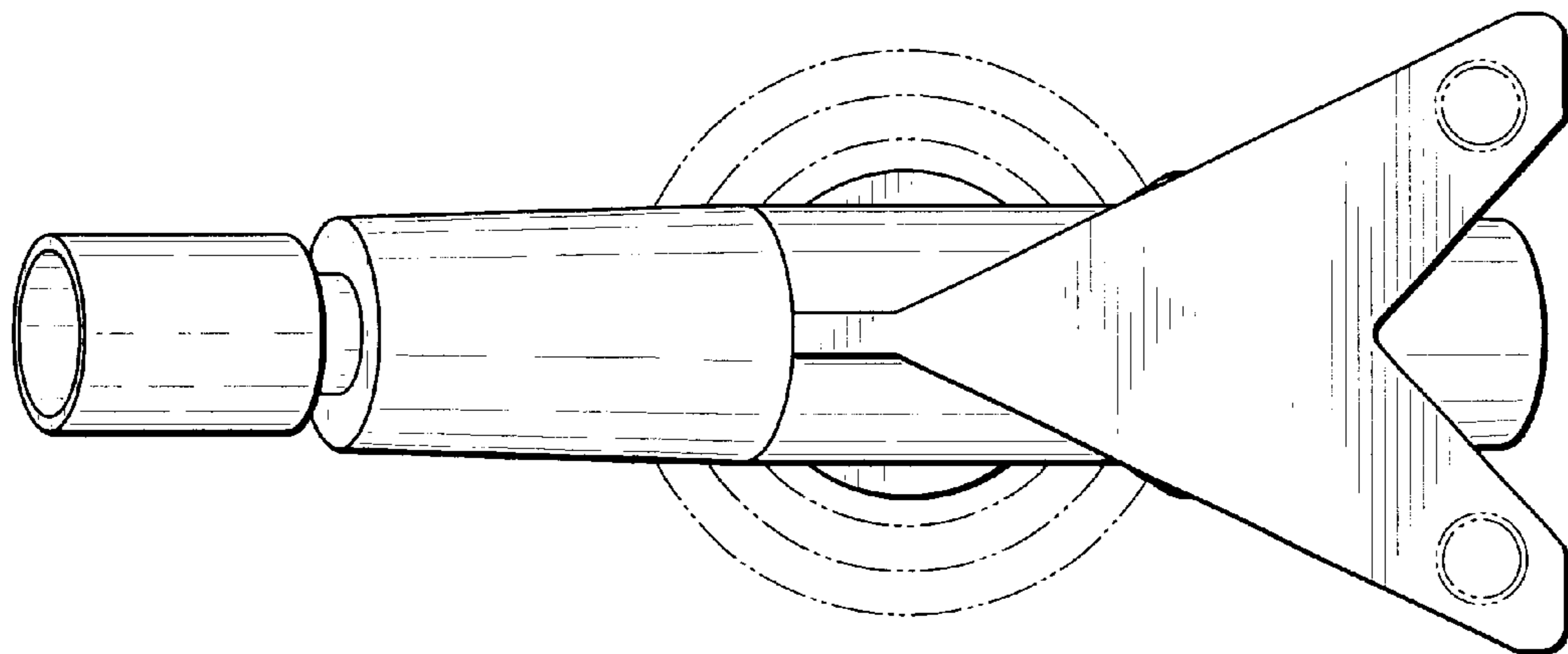


FIG. 6

