



US00D456826S

(12) **United States Design Patent**
Nagai et al.

(10) **Patent No.:** **US D456,826 S**

(45) **Date of Patent:** **** May 7, 2002**

(54) **LINEAR ACTUATOR**

(75) Inventors: **Shigekazu Nagai**, Tokyo-to; **Akio Saitoh**, Kawaguchi; **Masaru Saitoh**, Ibaraki-ken, all of (JP)

(73) Assignee: **SMC Kabushiki Kaisha**, Tokyo (JP)

(**) Term: **14 Years**

(21) Appl. No.: **29/142,267**

(22) Filed: **May 22, 2001**

(30) **Foreign Application Priority Data**

Nov. 28, 2000 (JP) 2000-033932

(51) **LOC (7) Cl.** **15-09**

(52) **U.S. Cl.** **D15/143; D15/5**

(58) **Field of Search** **D15/5, 143, 199; 74/89.15, 490.09; 310/20, 80**

(56) **References Cited**

U.S. PATENT DOCUMENTS

D412,917 S * 8/1999 Nagel et al. D15/199

* cited by examiner

Primary Examiner—Antoine Duval Davis
(74) *Attorney, Agent, or Firm*—Frishauf, Holtz, Goodman, Langer & Chick, P.C.

(57) **CLAIM**

The ornamental design for a linear actuator, as shown.

DESCRIPTION

FIG. 1 is a top, front and left side perspective view of a linear actuator showing our new design;

FIG. 2 is a front view thereof;

FIG. 3 is a rear view thereof;

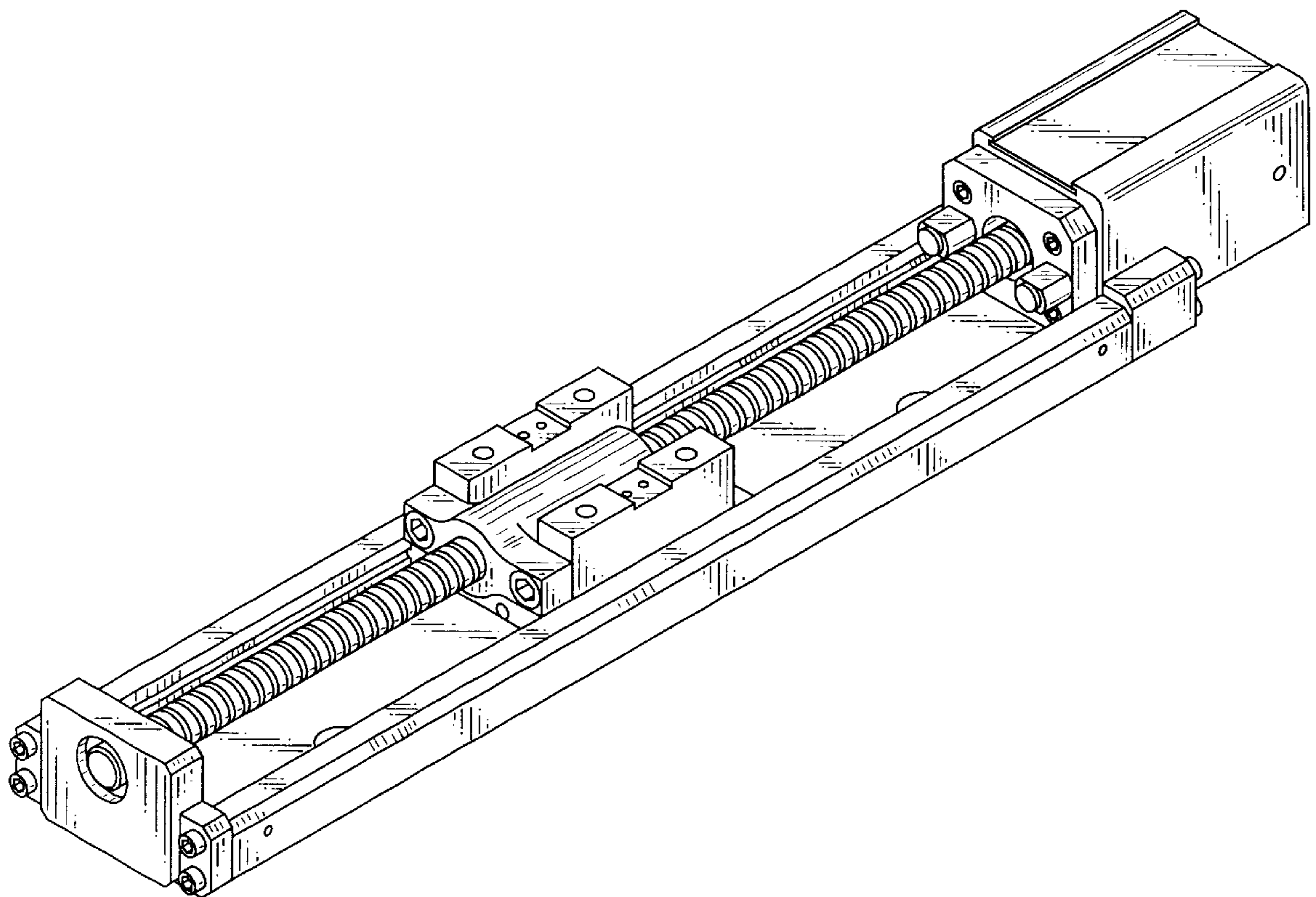
FIG. 4 is a top plan view thereof;

FIG. 5 is a bottom plan view thereof;

FIG. 6 is a right side view thereof; and,

FIG. 7 is a left side view thereof.

1 Claim, 4 Drawing Sheets



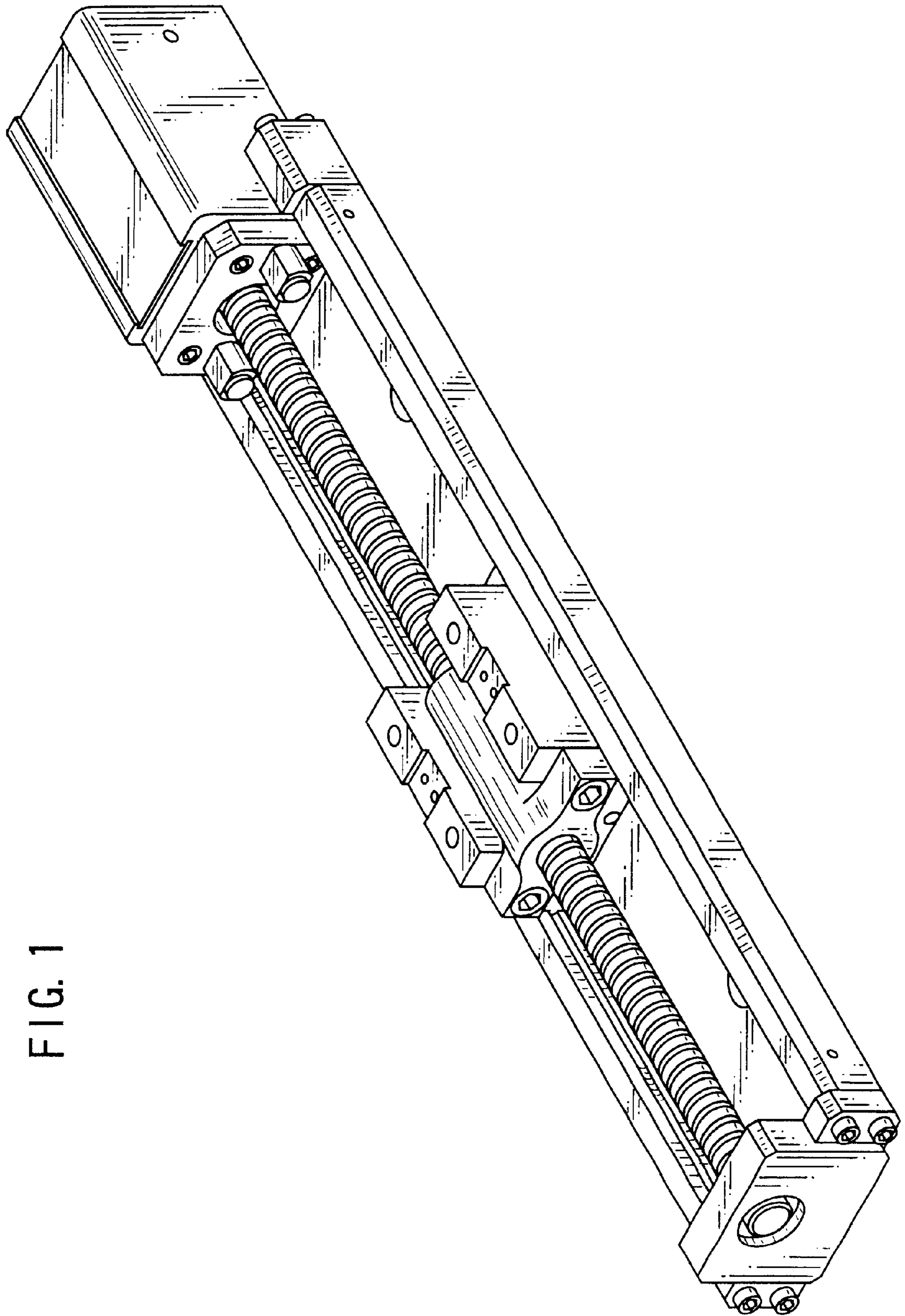


FIG. 1

FIG. 2

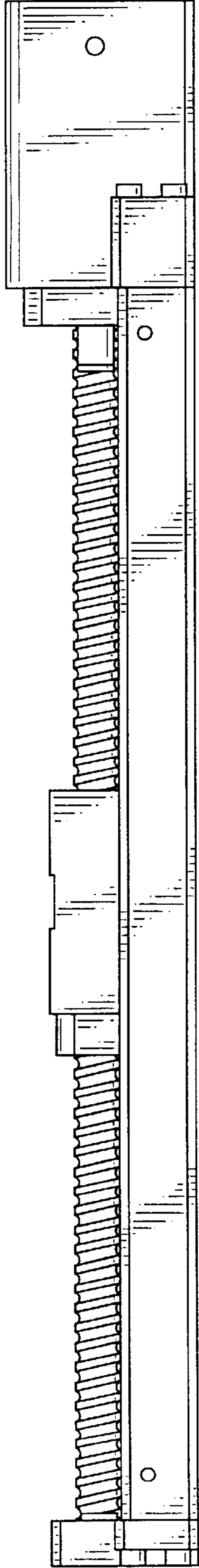


FIG. 3

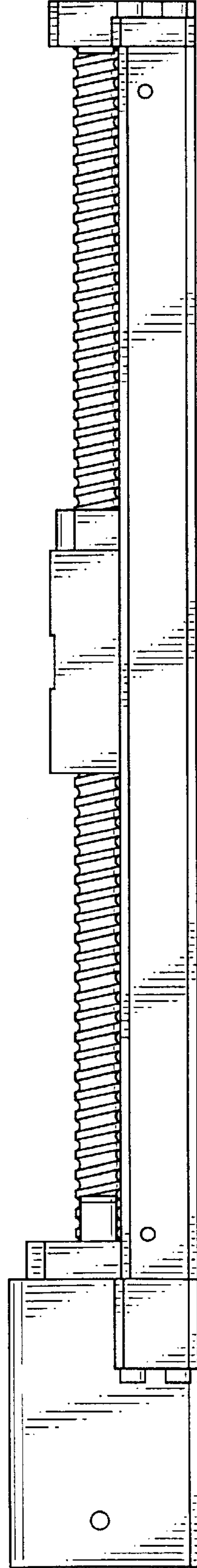


FIG. 4

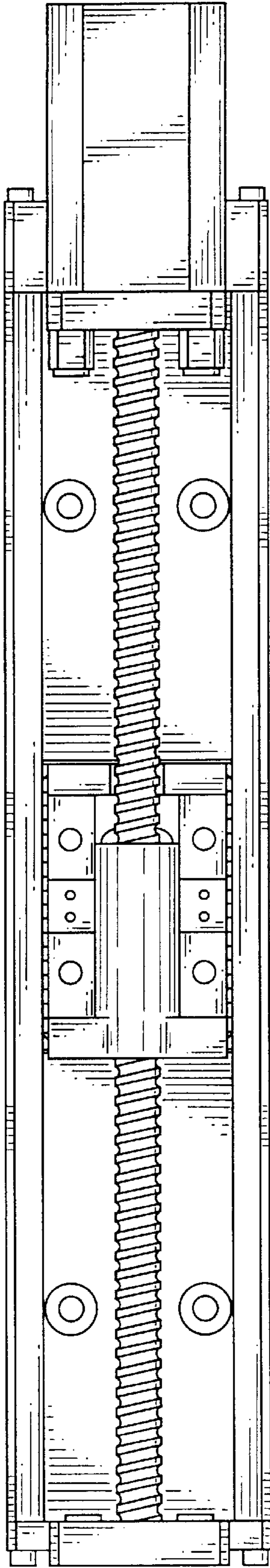


FIG. 5

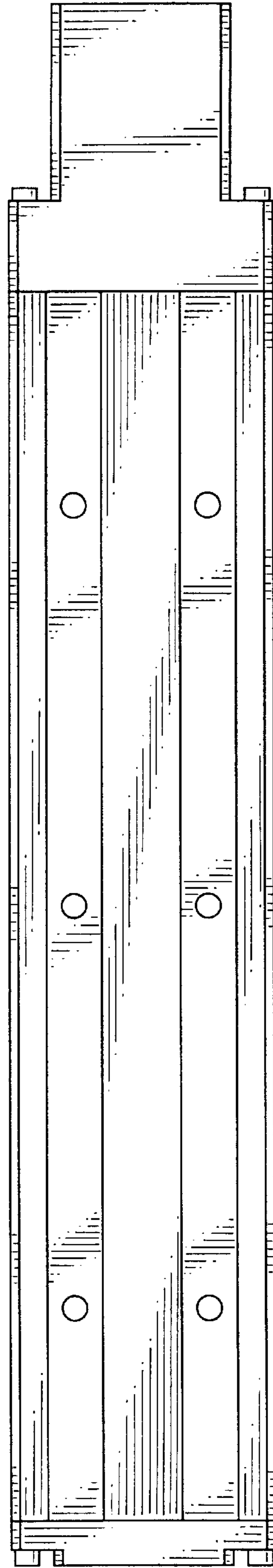


FIG. 6

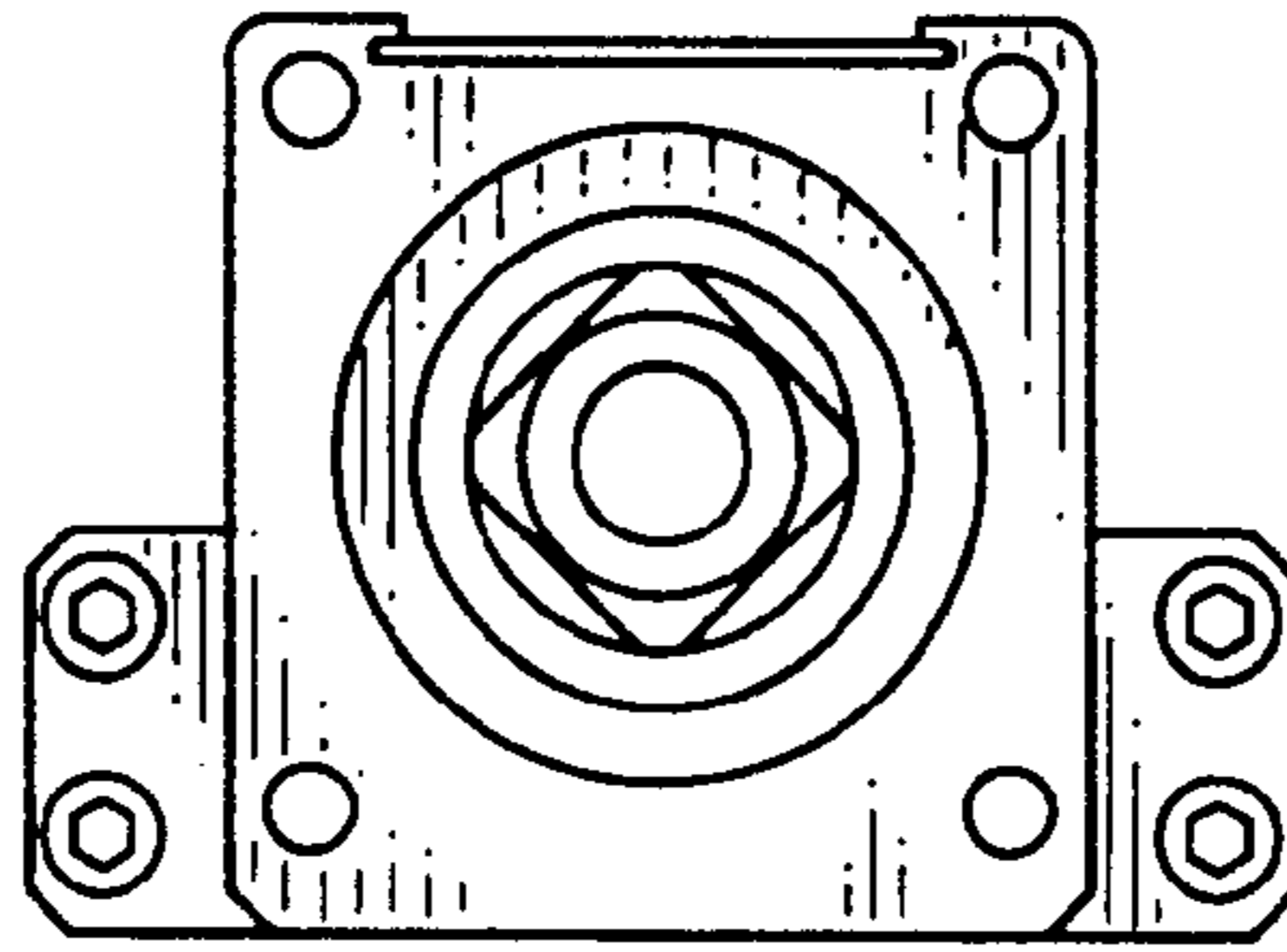


FIG. 7

