



US00D456823S

(12) **United States Design Patent**
Davi

(10) **Patent No.:** **US D456,823 S**

(45) **Date of Patent:** **** May 7, 2002**

(54) **ROLL BENDING MACHINE**

5,890,386 A * 4/1999 Davi 72/13.4

(75) Inventor: **Orazio Maria Davi**, Cesena (IT)

* cited by examiner

(73) Assignee: **Promau S.R.L.**, Cesena (IT)

Primary Examiner—Antoine Duval Davis

(**) Term: **14 Years**

(74) *Attorney, Agent, or Firm*—Young & Thompson

(21) Appl. No.: **29/141,070**

(57) **CLAIM**

(22) Filed: **May 1, 2001**

The ornamental design for a roll bending machine, as shown.

(30) **Foreign Application Priority Data**

DESCRIPTION

Nov. 9, 2000 (XH) DM/0540236

(51) **LOC (7) Cl.** **15-09**

(52) **U.S. Cl.** **D15/123**

(58) **Field of Search** D15/123; 72/13.4,
72/7.1, 166, 173

FIG. 1 is a top, side and end perspective view of a roll bending machine showing my new design;

FIG. 2 is a top, side and end perspective view thereof showing the end opposite that shown in FIG. 1;

FIG. 3 is a side elevational view thereof; and,

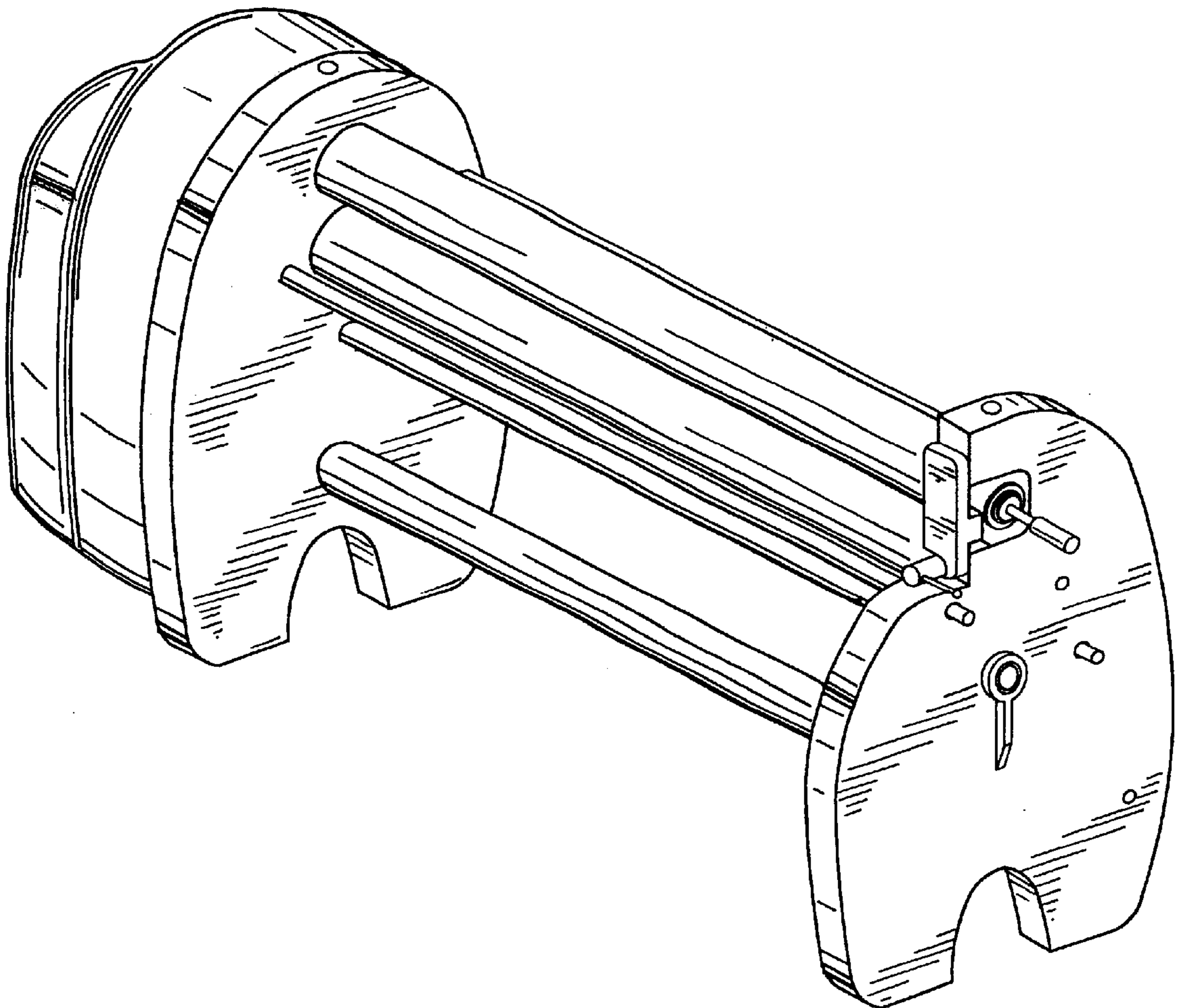
FIG. 4 is a top plan view thereof.

(56) **References Cited**

U.S. PATENT DOCUMENTS

5,218,850 A * 6/1993 Davi 72/173 X

1 Claim, 3 Drawing Sheets



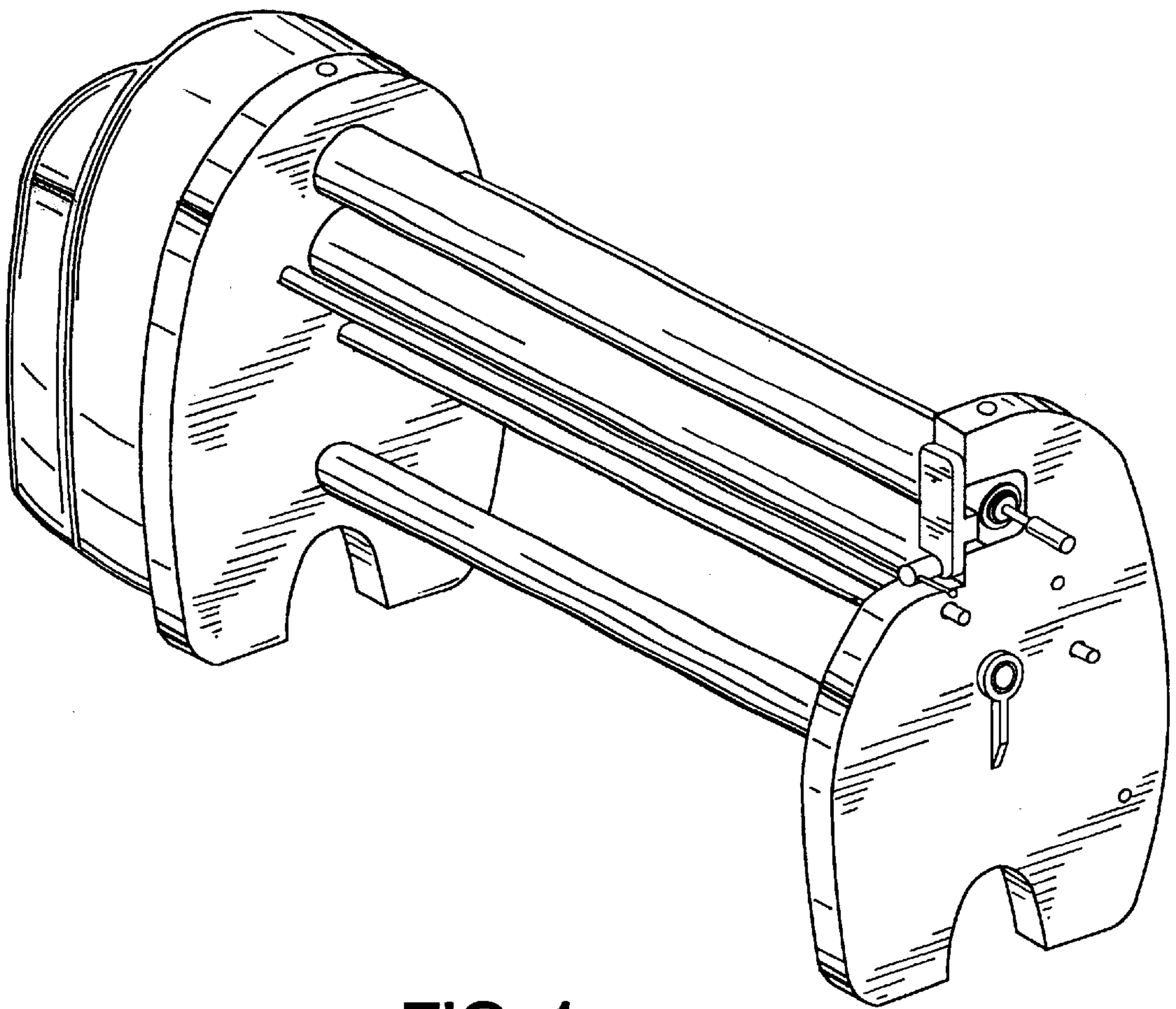


FIG. 1

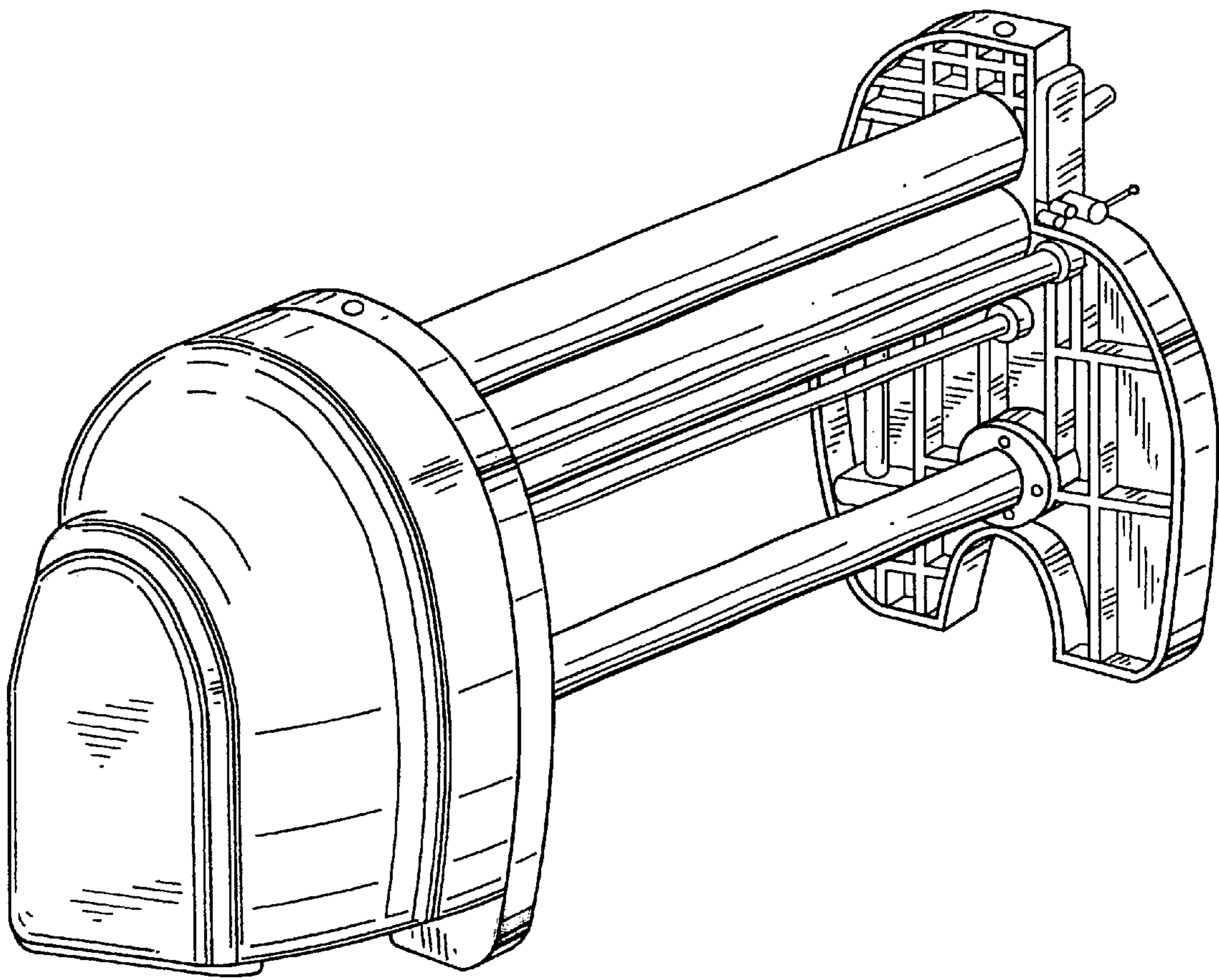


FIG. 2

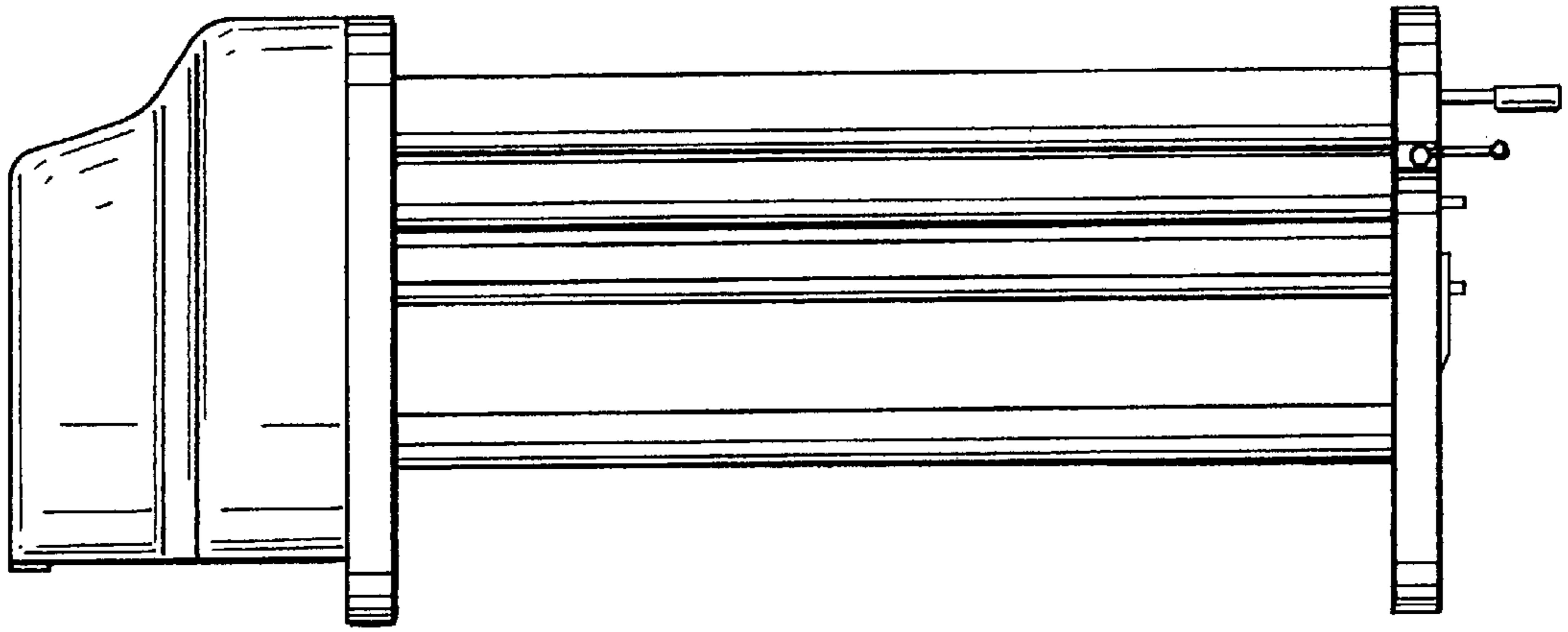


FIG. 3

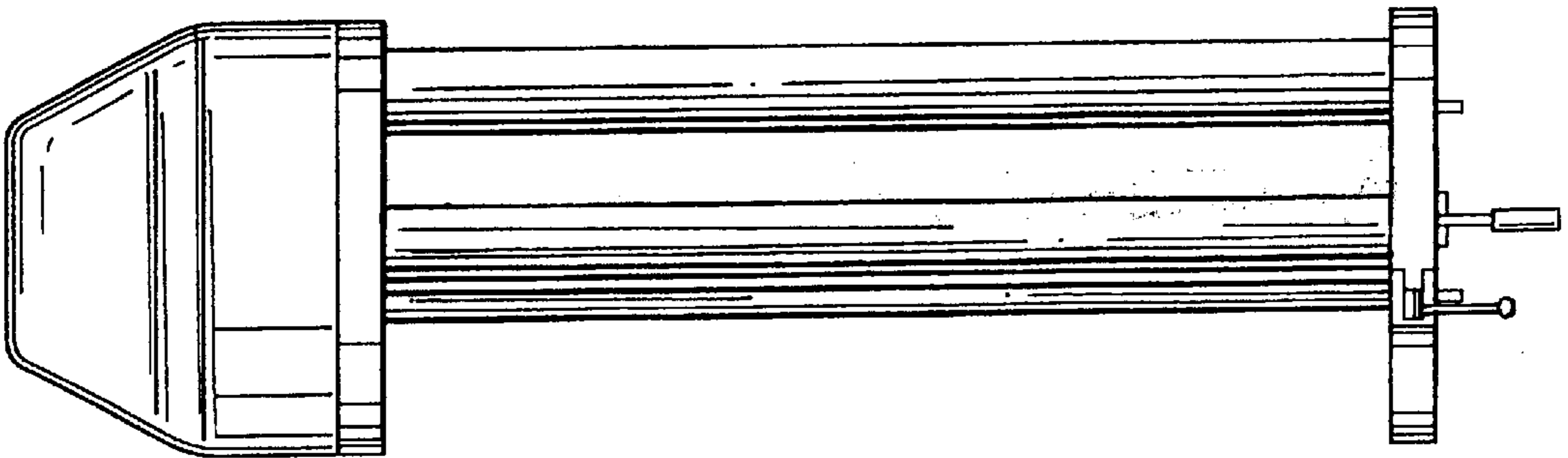


FIG. 4