



US00D456822S

(12) **United States Design Patent**  
**Westimayer et al.**

(10) **Patent No.:** **US D456,822 S**

(45) **Date of Patent:** **\*\* May 7, 2002**

(54) **OUTER SURFACE OF A GRILL**

(75) Inventors: **David Anthony Westimayer**, Horicon;  
**Matthew Paul Gueller**, Slinger, both of  
WI (US); **Daniel Robert Nickles**, St.  
Thomas (VG); **Thomas Howard Ward**,  
Ventura, CA (US)

(73) Assignee: **Deere & Company**, Moline, IL (US)

(\*\*) Term: **14 Years**

(21) Appl. No.: **29/132,232**

(22) Filed: **Nov. 3, 2000**

(51) **LOC (7) Cl.** ..... **15-03**

(52) **U.S. Cl.** ..... **D15/31**

(58) **Field of Search** ..... D15/31, 28, 15,  
D15/23-25; 56/13.4, 16.7, 202, 320.1, 320.2;  
180/89.12, 900, 89.1, 89.2

(56) **References Cited**

**U.S. PATENT DOCUMENTS**

D310,374 S	9/1990	Westimayer et al. ....	D15/15
D311,543 S	10/1990	Hardzinski et al. ....	D15/17
D352,723 S	* 11/1994	DeBaal et al. ....	D15/31
D354,756 S	* 1/1995	Hinklin ....	D15/15
D365,573 S	12/1995	Westimayer et al. ....	D15/17
D365,578 S	12/1995	Westimayer et al. ....	D15/31
D381,341 S	7/1997	Goebert et al. ....	D15/31

D382,279 S	8/1997	Goebert et al. ....	D15/31
D411,210 S	6/1999	Goebert et al. ....	D15/31
D421,266 S	* 2/2000	Hinklin ....	D15/15
D427,205 S	* 6/2000	Shimizu ....	D15/23
D447,753 S	* 9/2001	Goebert et al. ....	D15/31

\* cited by examiner

*Primary Examiner*—Mitchell Siegel

(57) **CLAIM**

The ornamental design for an outer surface of a grill, as shown and described.

**DESCRIPTION**

FIG. 1 is an left front elevated perspective view of an outer surface of a grill, showing our new design, the broken line showing of the vehicle being for illustrative purposes only, and forms no part of the claimed design.

FIG. 2 is a left front enlarged and elevated perspective view of the outer surface of a grill design of FIG. 1.

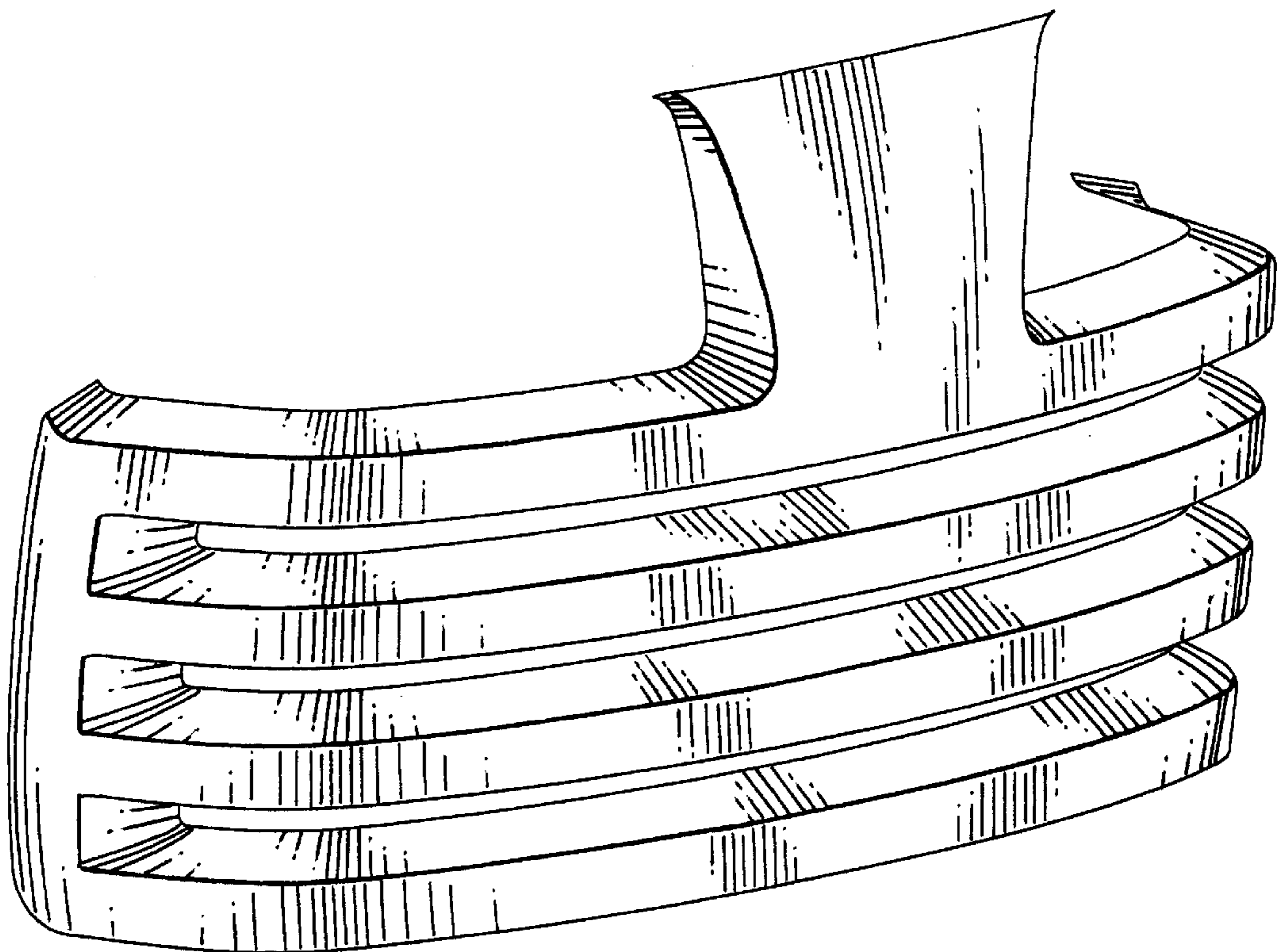
FIG. 3 is a plan view of the outer surface of a grill design of FIG. 1.

FIG. 4 is a front view of the outer surface of a grill design of FIG. 1.

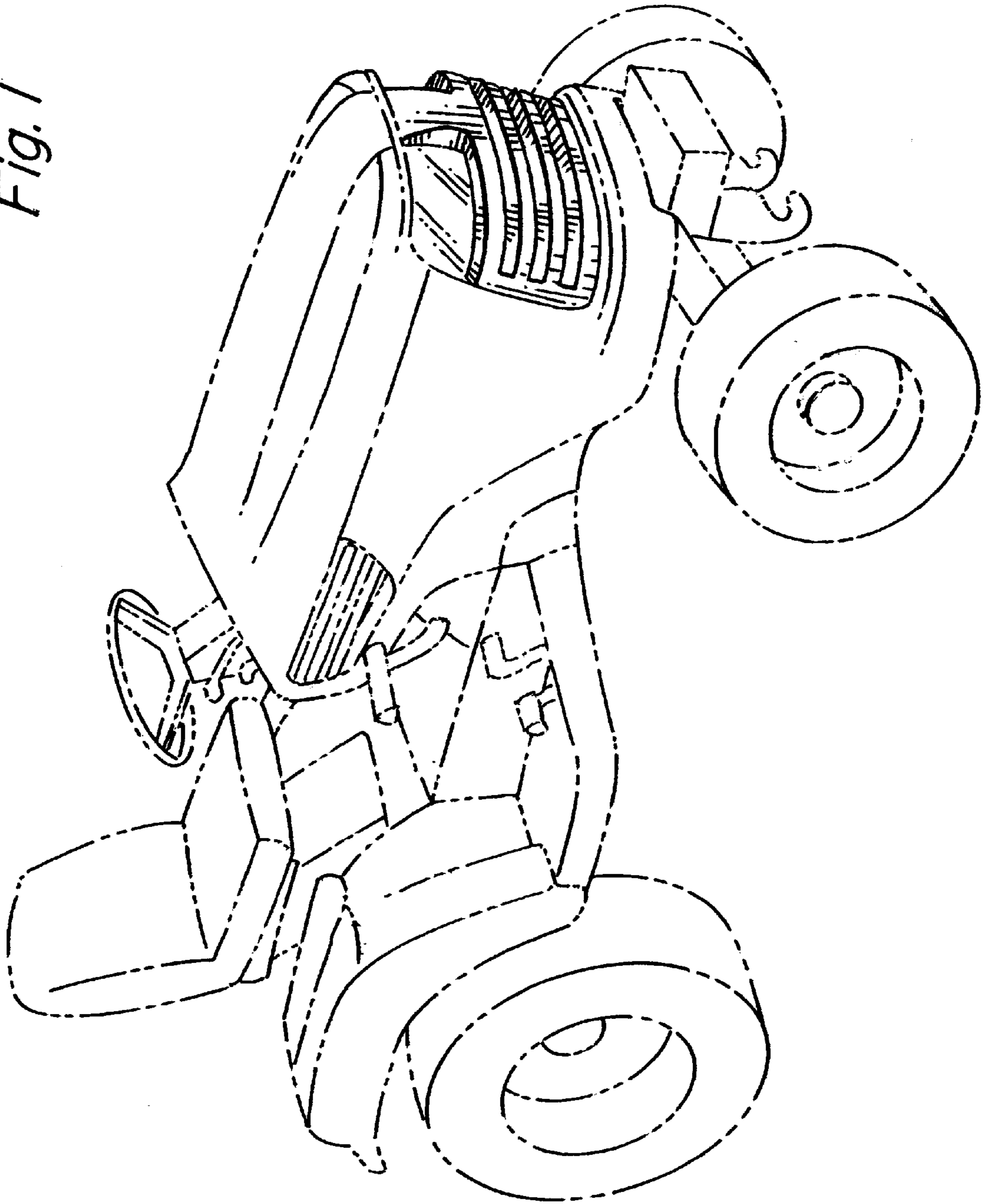
FIG. 5 is a left side view of the outer surface of a grill design of FIG. 1; and,

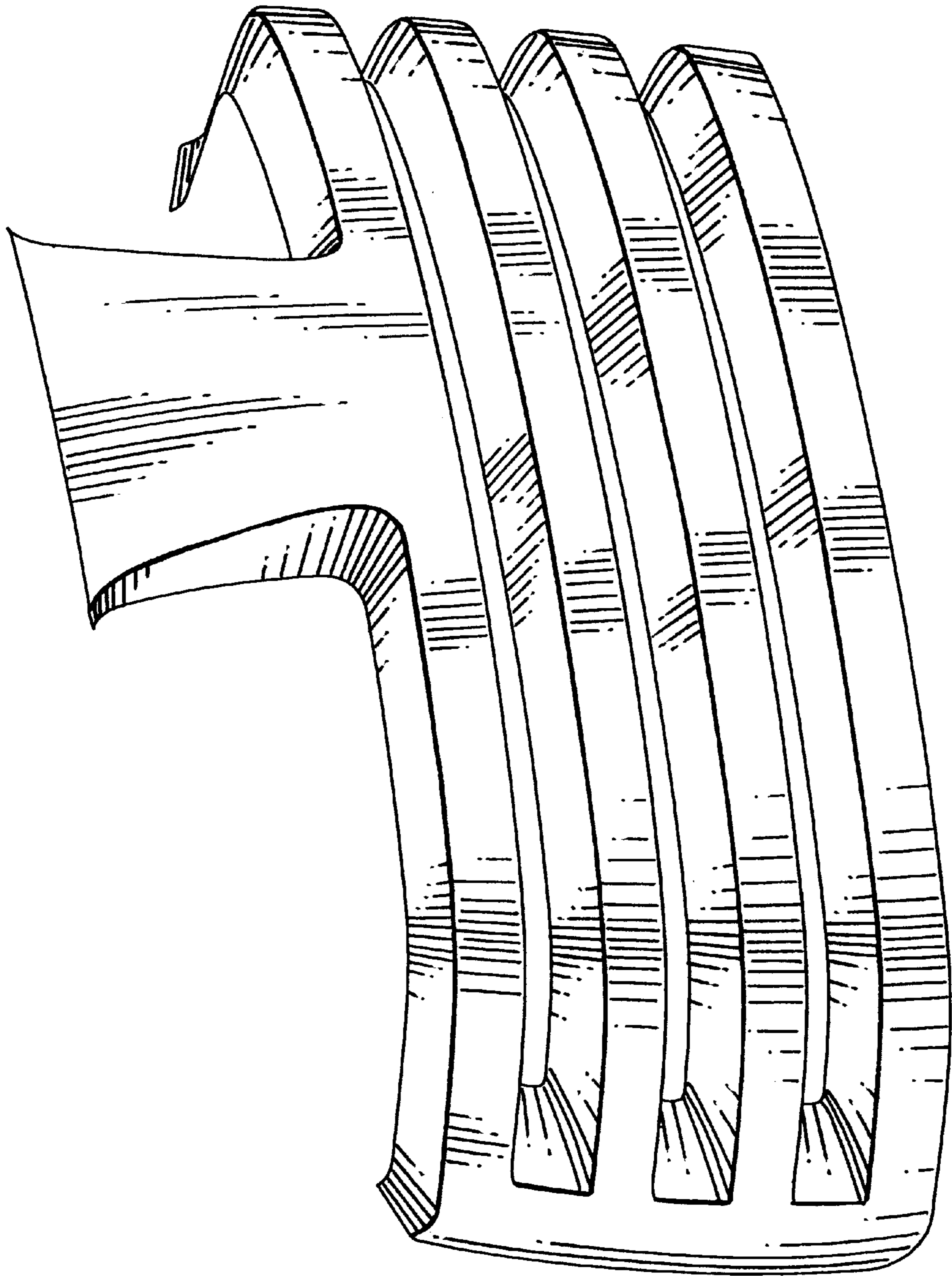
FIG. 6 is a right side view of the outer surface of a grill design of FIG. 1.

**1 Claim, 3 Drawing Sheets**



*Fig. 1*





*Fig. 2*

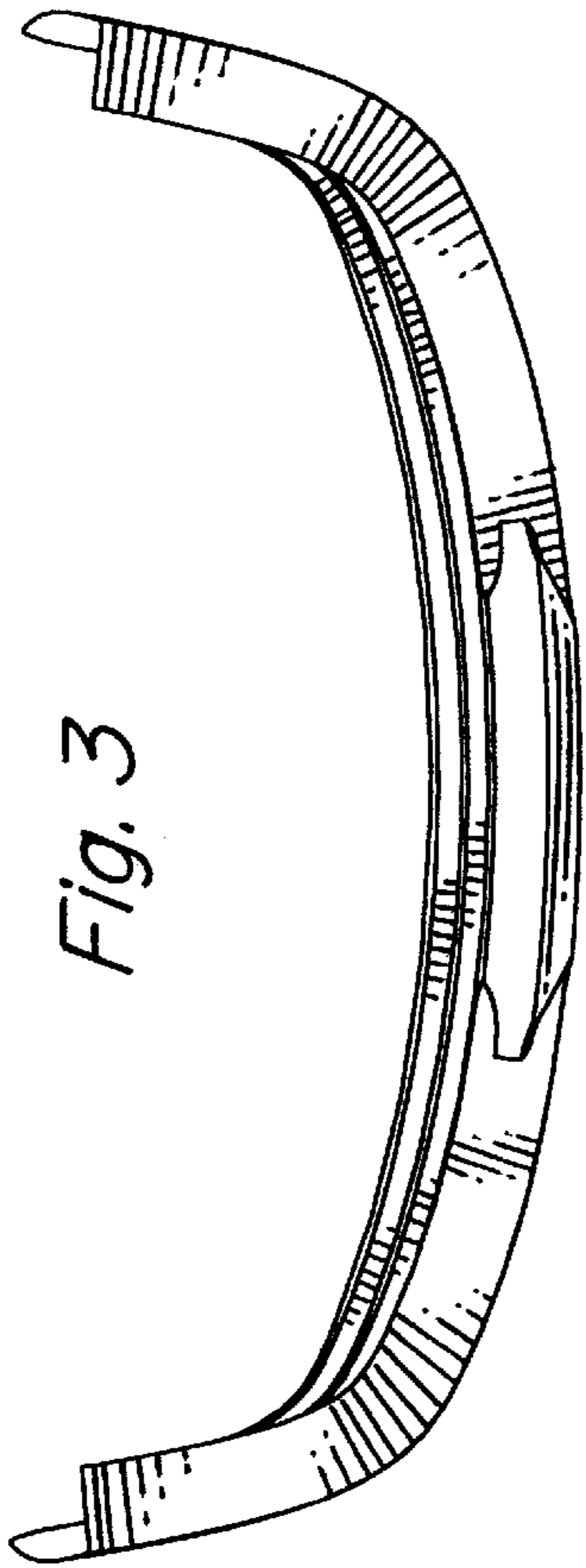


Fig. 3

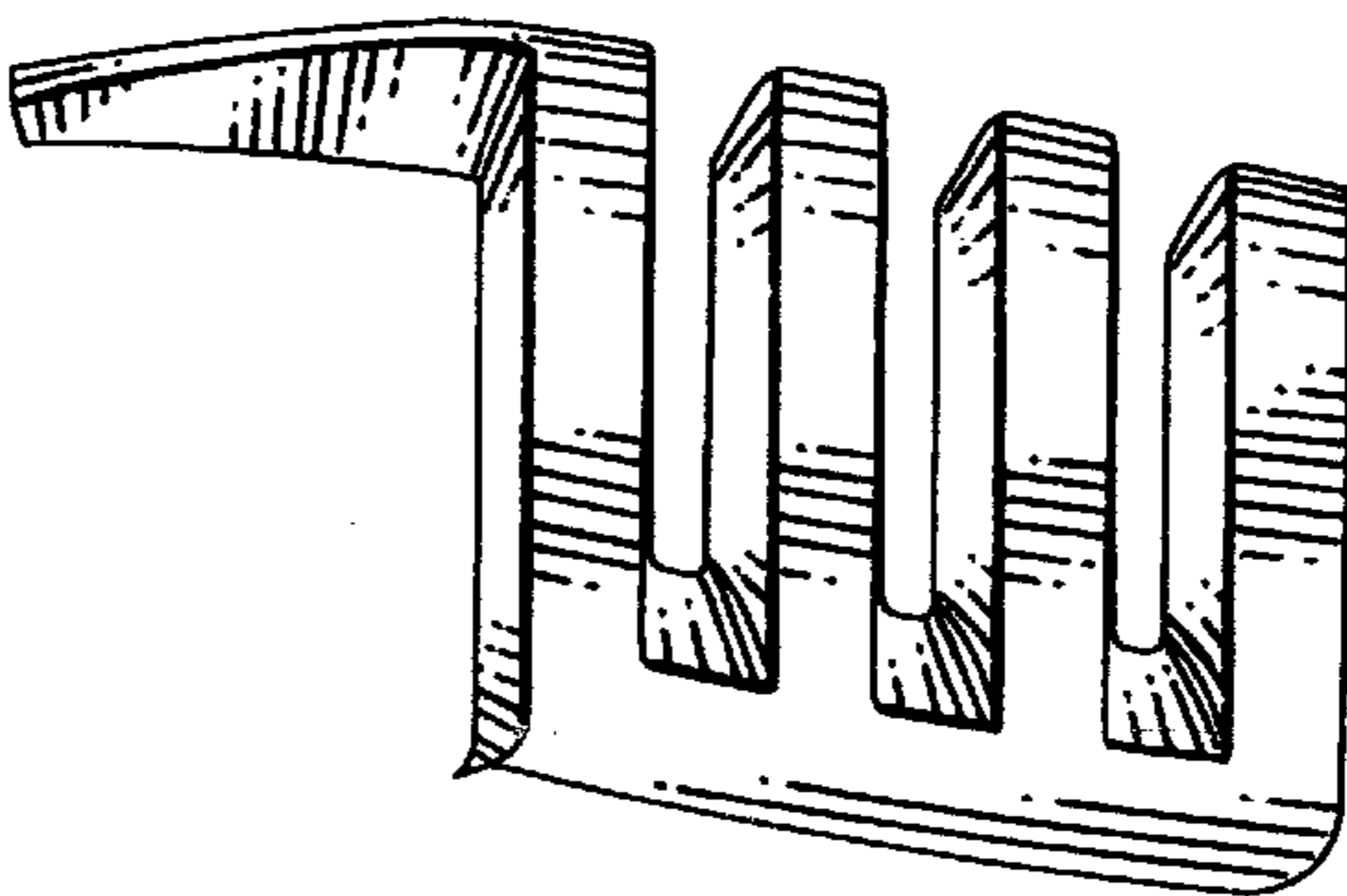


Fig. 5

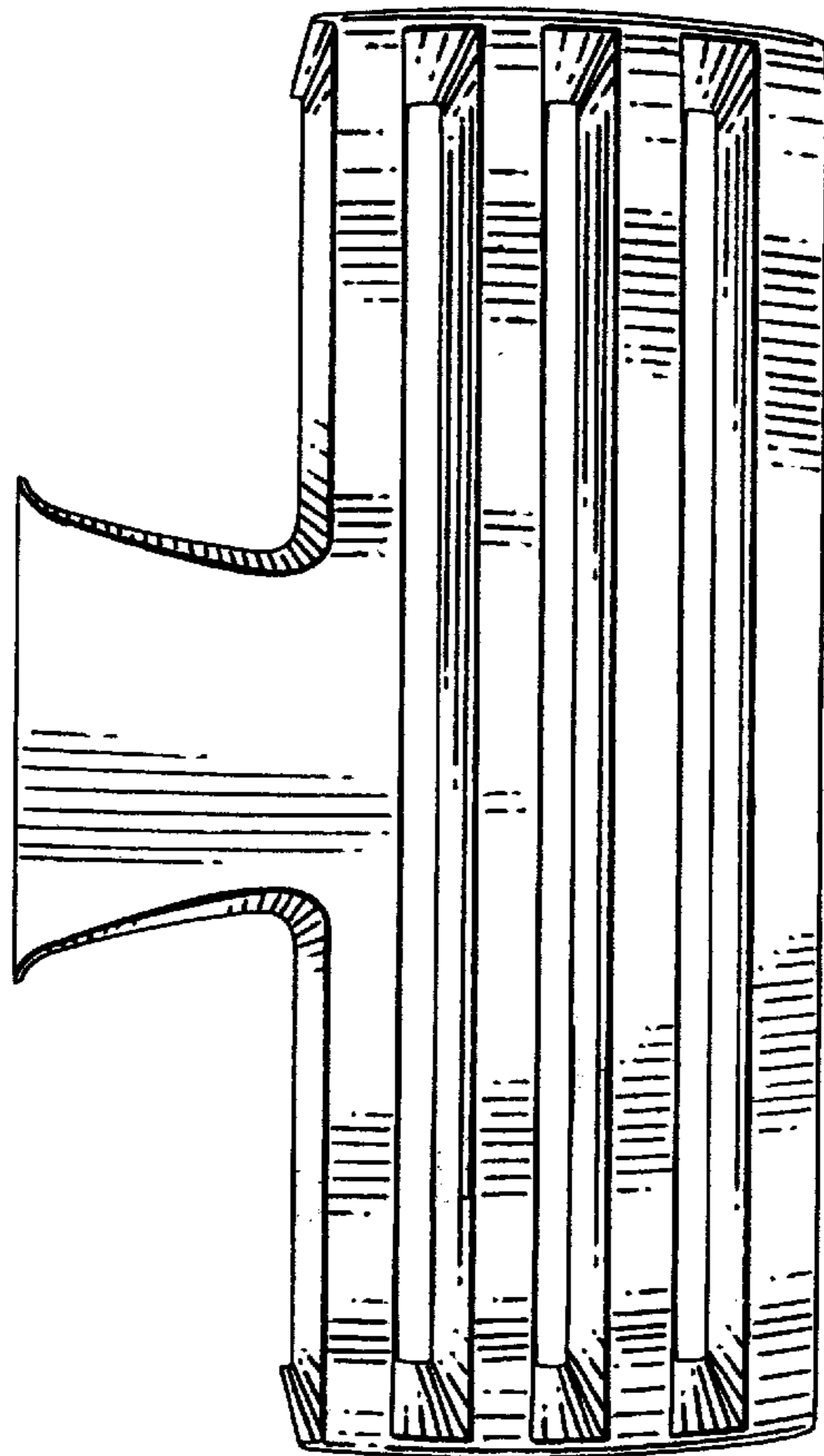


Fig. 4

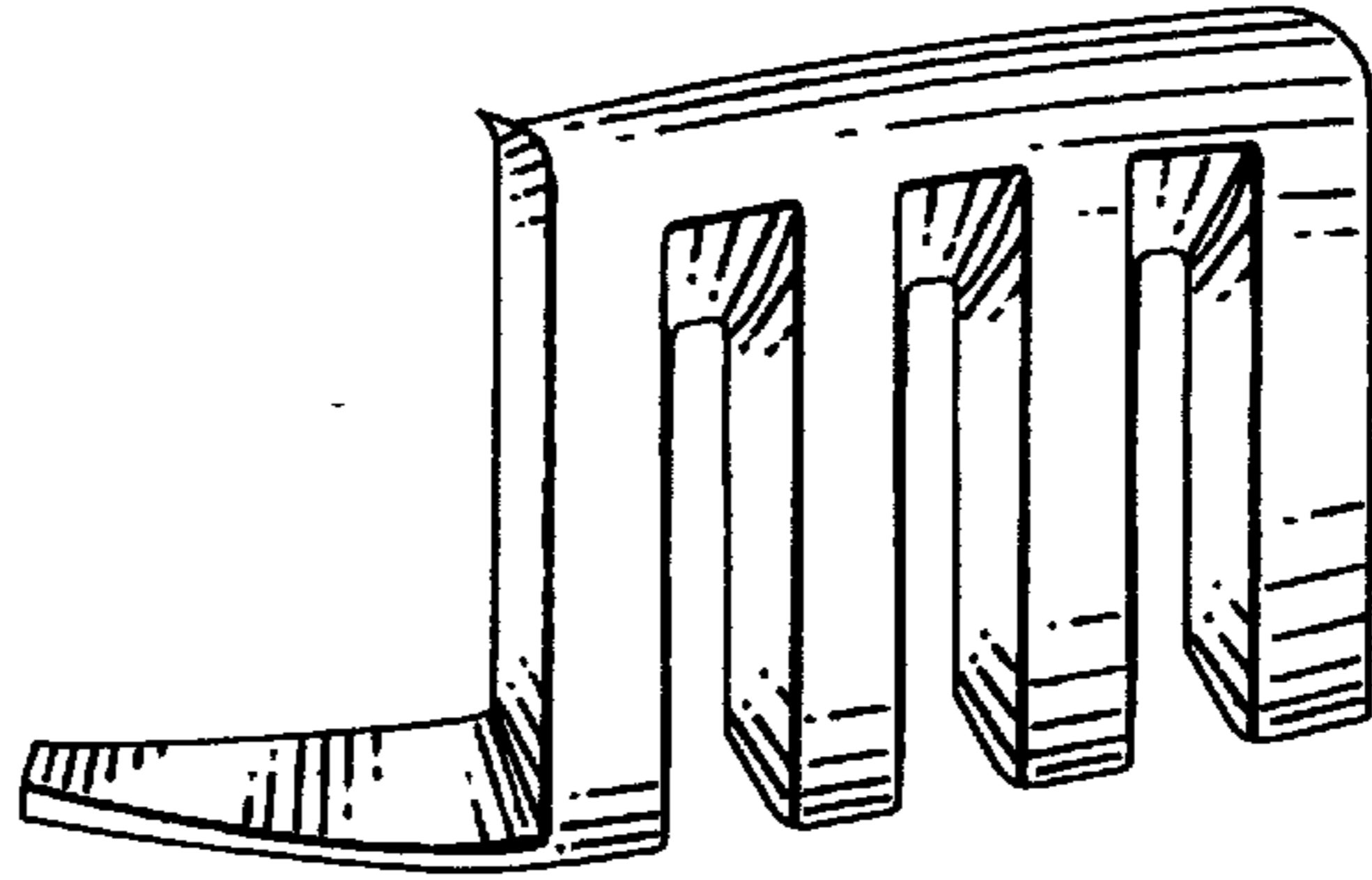


Fig. 6