



US00D456819S

(12) **United States Design Patent**  
**Sebion et al.**

(10) **Patent No.: US D456,819 S**

(45) **Date of Patent: \*\* May 7, 2002**

(54) **RECIPROCATING PISTON PUMP**

(75) Inventors: **Michael J. Sebion**, Apple Valley; **Mark T. Weinberger**, Mounds View, both of MN (US)

(73) Assignee: **Graco Minnesota Inc.**, Minneapolis, MN (US)

(\*\*) Term: **14 Years**

(21) Appl. No.: **29/135,572**

(22) Filed: **Jan. 12, 2001**

(51) **LOC (7) Cl.** ..... **15-02**

(52) **U.S. Cl.** ..... **D15/7**

(58) **Field of Search** ..... D15/7-9.1; D23/259;  
138/33; 285/24, 156, 8, 148.13, 41, 61,  
155, 292, 382, 423; 137/208; 221/61; 417/234,  
368, 254, 443, 454, 554; 92/248

(56) **References Cited**

**U.S. PATENT DOCUMENTS**

3,330,217 A \* 7/1967 Baur et al. .... 417/454  
4,568,249 A \* 2/1986 Todd ..... 417/238  
4,699,572 A \* 10/1987 Balkau et al. .... 417/254

5,346,037 A \* 9/1994 Flaig et al. .... 184/24  
D354,495 S \* 1/1995 Tojo ..... D15/7  
5,456,583 A \* 10/1995 Handzel ..... 417/454  
D371,371 S \* 7/1996 Hammond ..... D15/7  
D372,034 S \* 7/1996 Handzel et al. .... D15/7  
D392,649 S \* 3/1998 Plummer et al. .... D15/7  
5,951,259 A \* 9/1999 Gardner et al. .... 417/254

\* cited by examiner

*Primary Examiner*—Ralf Seifert

(74) *Attorney, Agent, or Firm*—Douglas B. Farrow

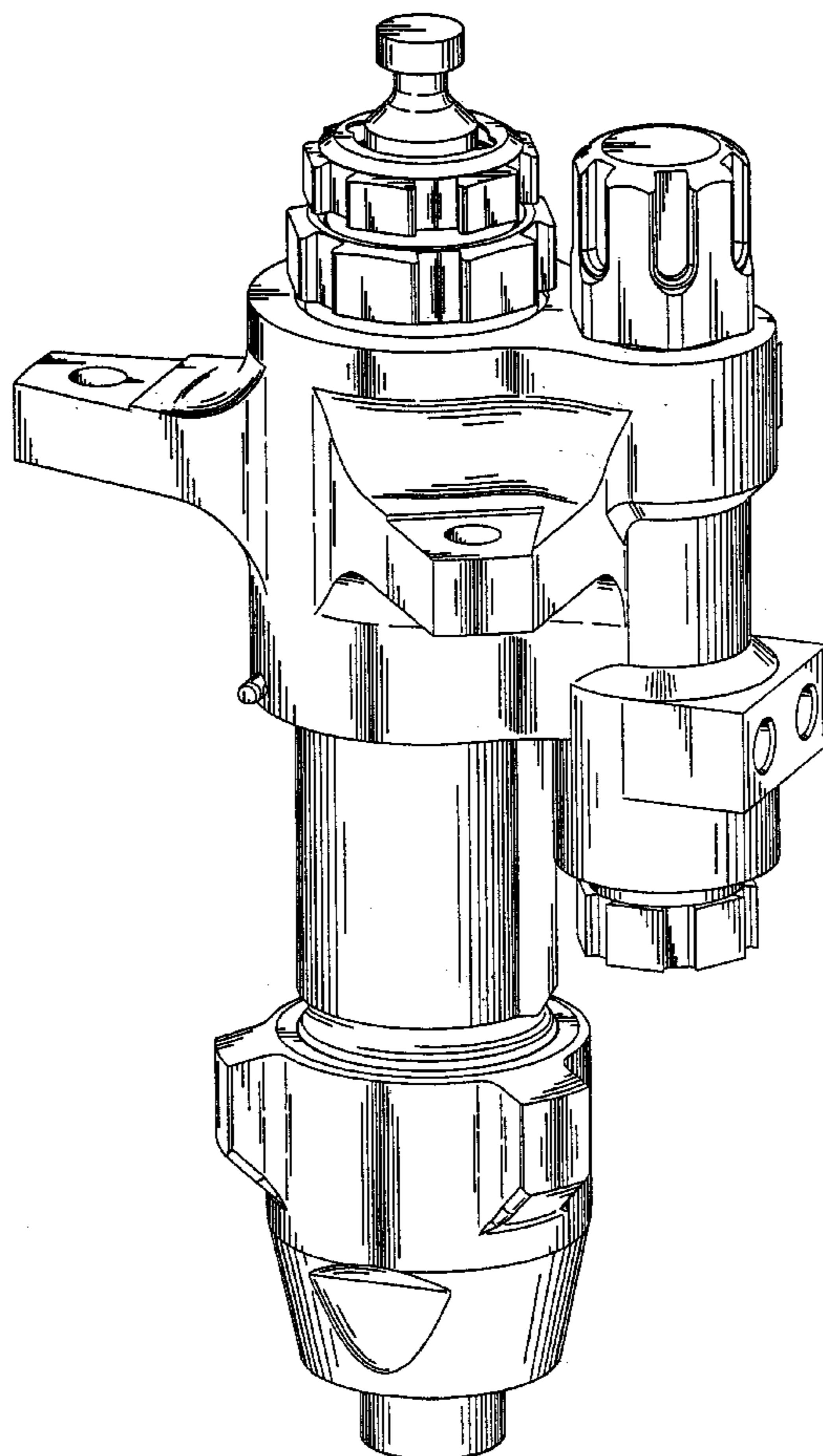
(57) **CLAIM**

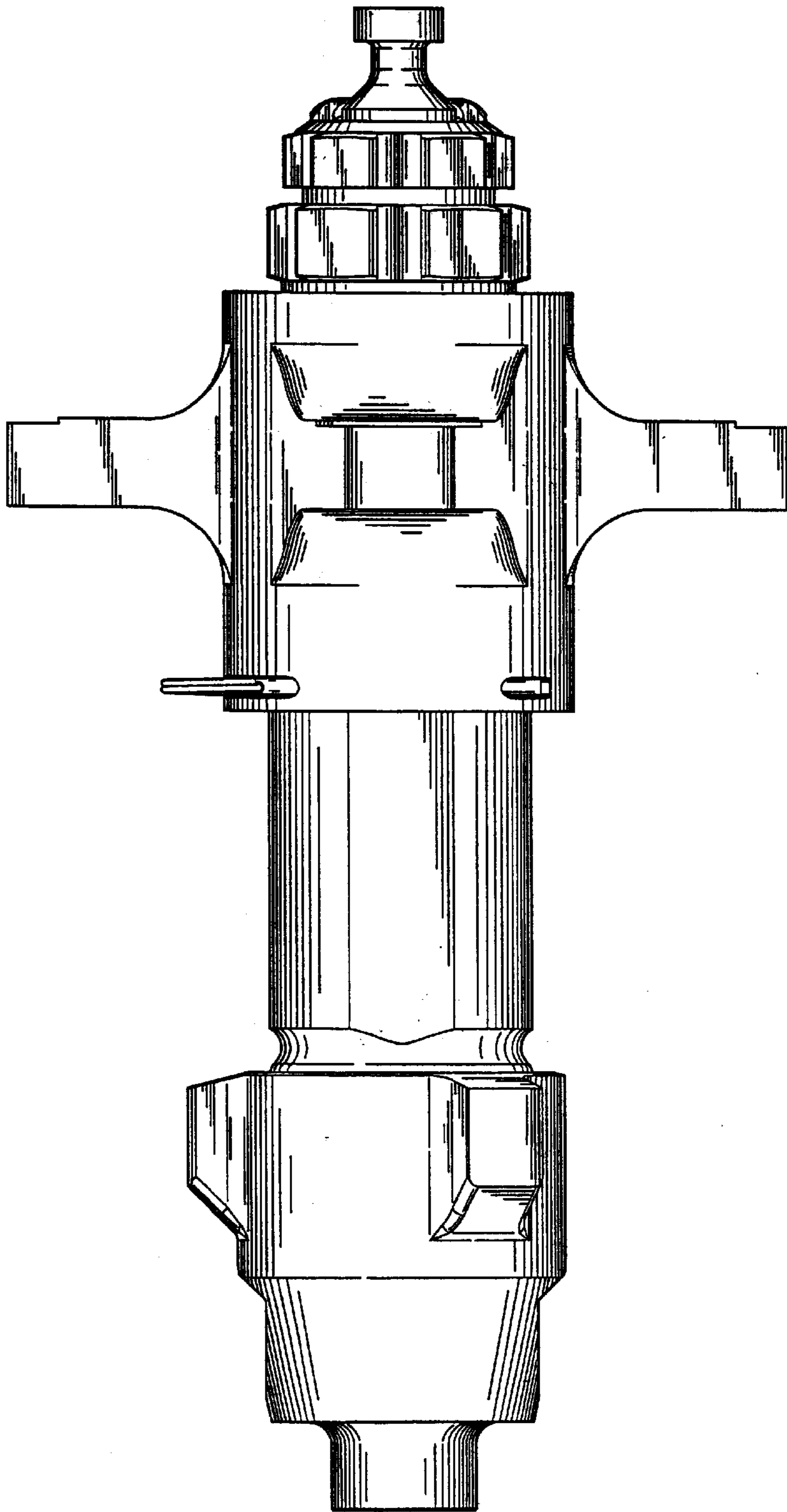
The ornamental design for the reciprocating piston pump, as shown and described.

**DESCRIPTION**

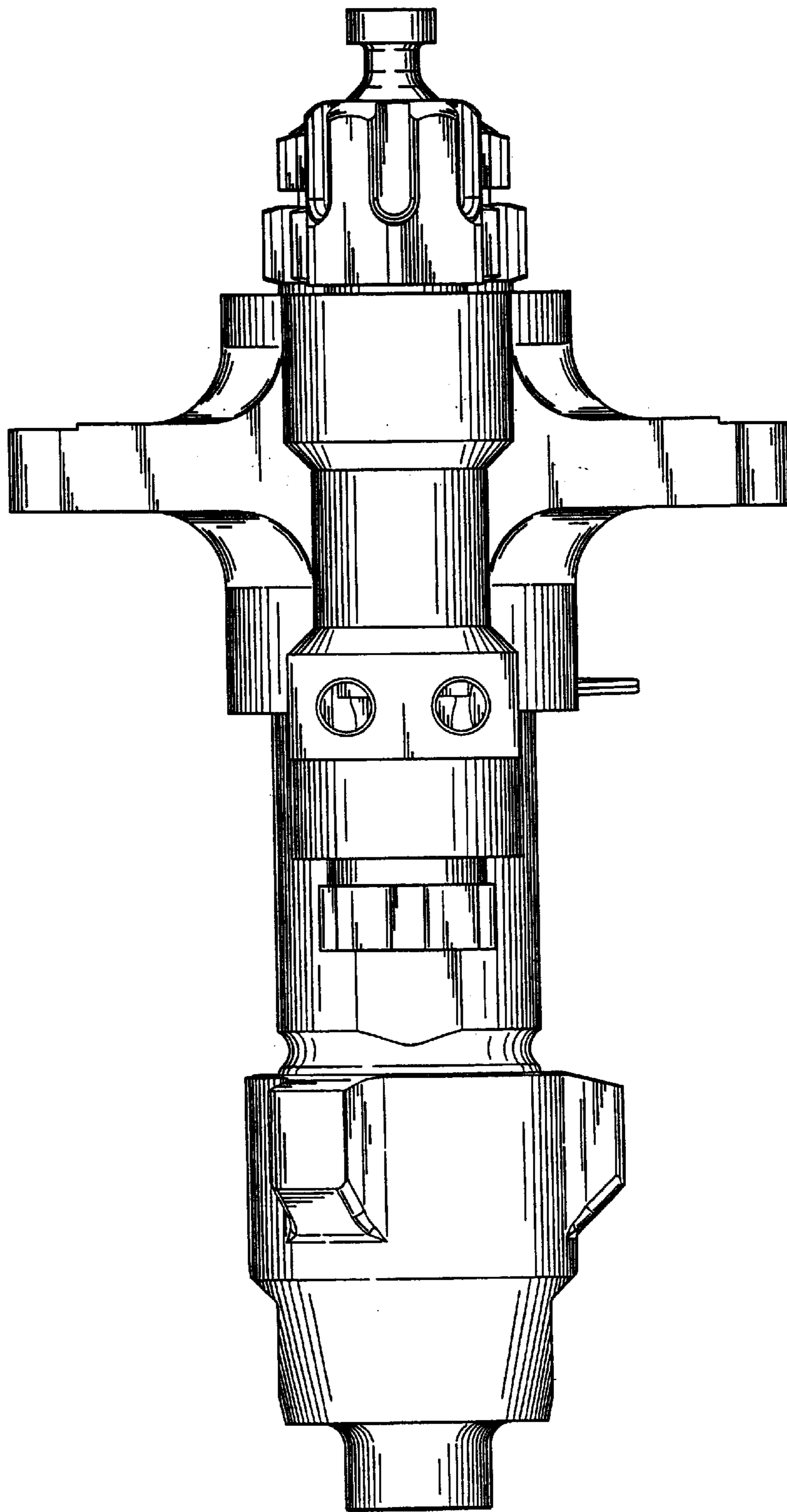
FIG. 1 is a front elevation view of the reciprocating piston pump;  
FIG. 2 is a rear elevation view thereof;  
FIG. 3 is a left side elevation view thereof;  
FIG. 4 is a right side elevation view thereof;  
FIG. 5 is a top elevation view thereof;  
FIG. 6 is a bottom elevation view thereof; and,  
FIG. 7 is a perspective view thereof.

**1 Claim, 7 Drawing Sheets**

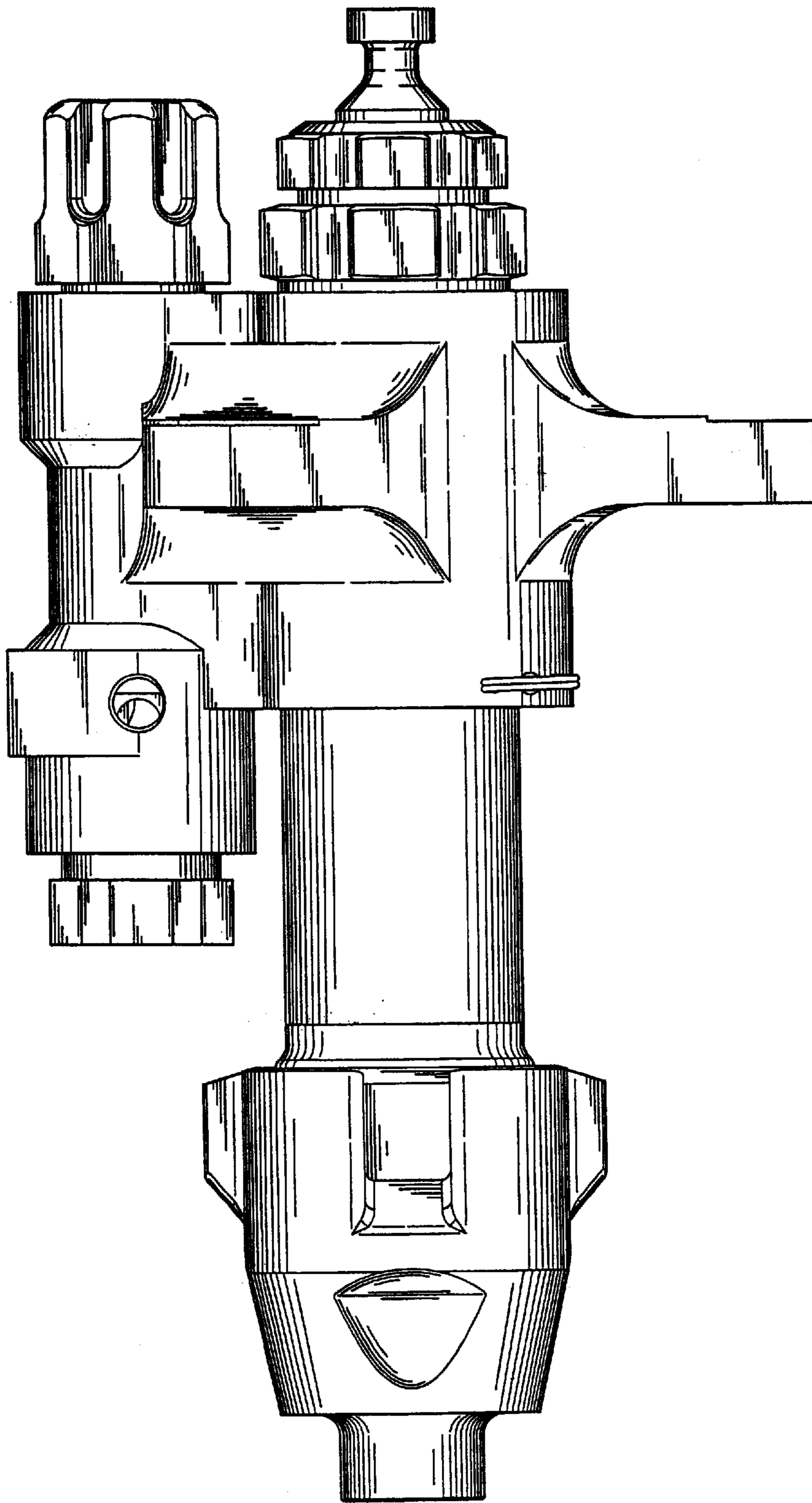




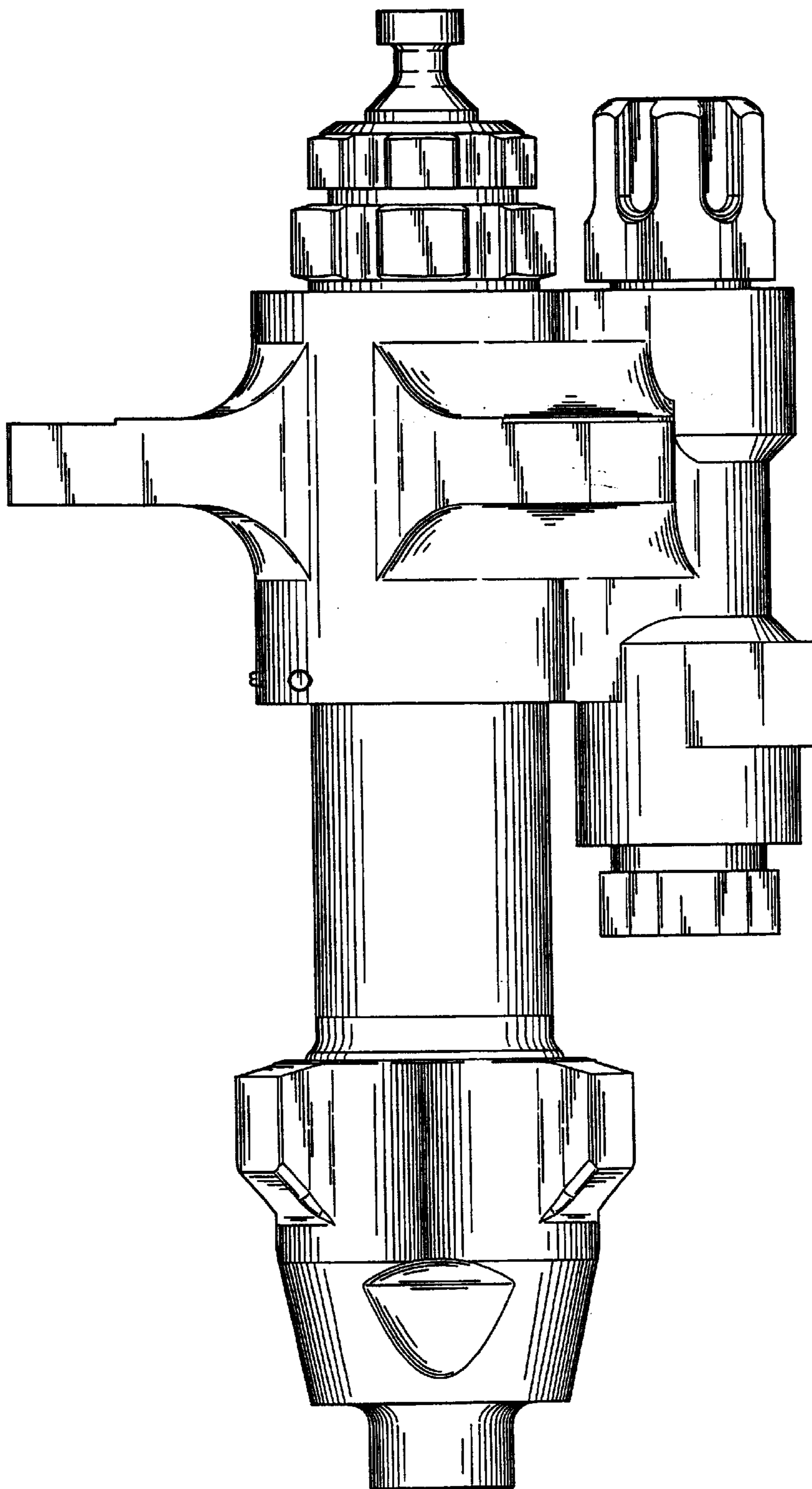
**FIG. 1**



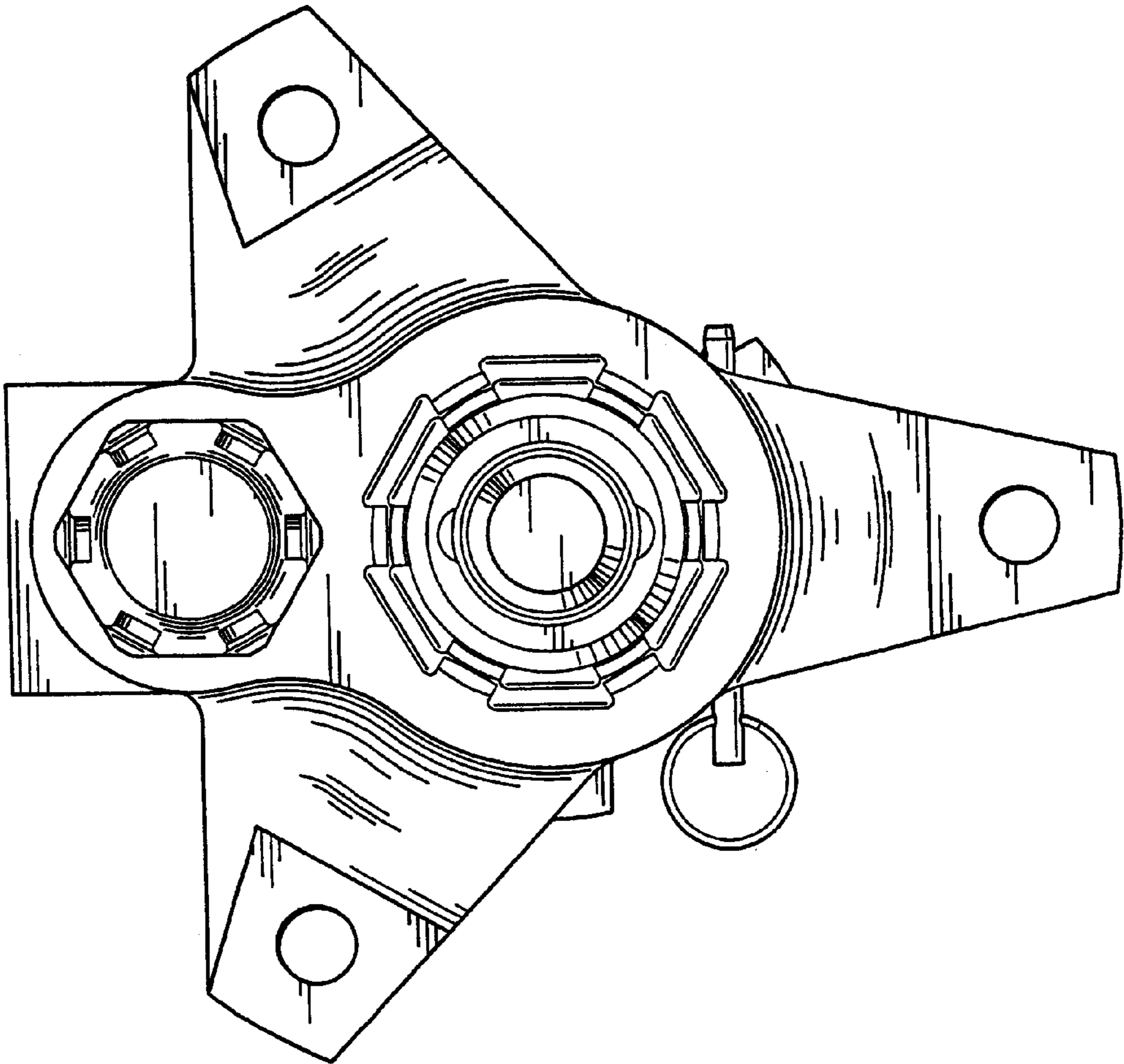
**FIG. 2**



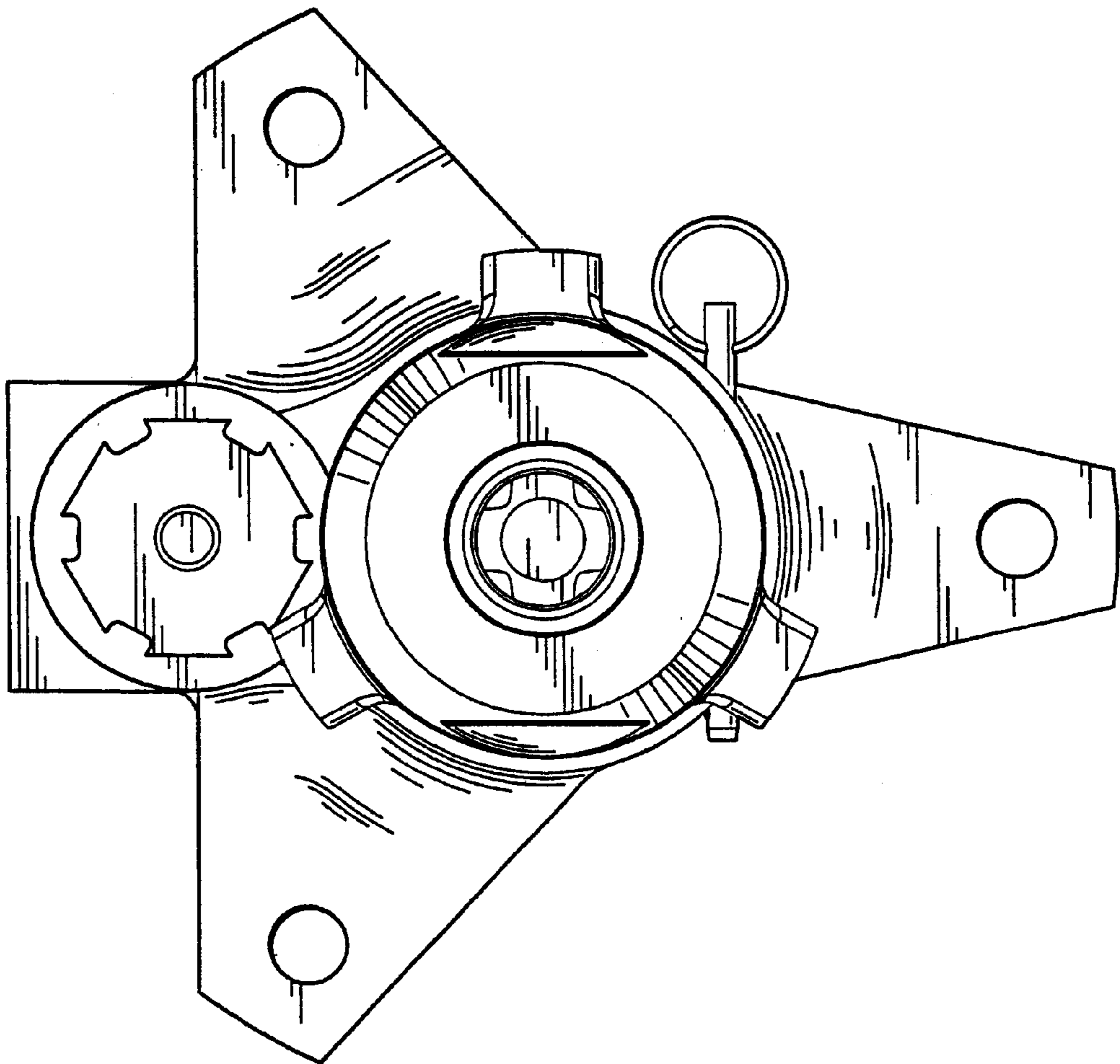
**FIG. 3**



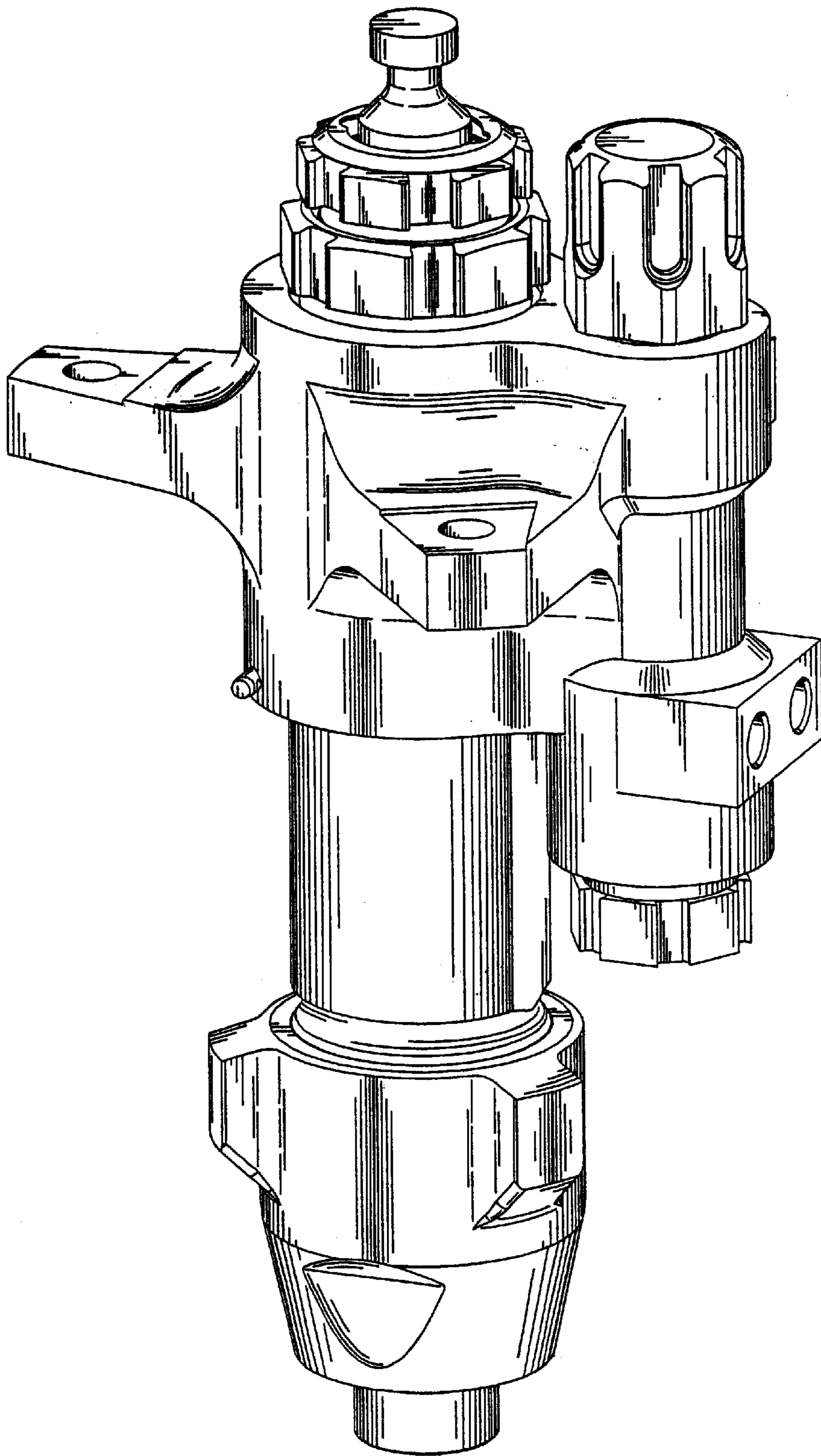
**FIG. 4**



**FIG. 5**



**FIG. 6**



**FIG. 7**