



US00D456818S

(12) **United States Design Patent**  
**Braswell**

(10) **Patent No.:** **US D456,818 S**

(45) **Date of Patent:** **\*\* May 7, 2002**

(54) **CARBURETOR THROTTLE BODY**

(75) Inventor: **David Braswell**, Marana, AZ (US)

(73) Assignee: **POW Engineering, Inc.**, Marana, AZ (US)

(\*\*) Term: **14 Years**

(21) Appl. No.: **29/138,181**

(22) Filed: **Mar. 7, 2001**

(51) **LOC (7) Cl.** ..... **15-01**

(52) **U.S. Cl.** ..... **D15/6**

(58) **Field of Search** ..... D15/1-6; 261/23.2,  
261/44.4, DIG. 12

(56) **References Cited**

**U.S. PATENT DOCUMENTS**

|             |   |         |                     |       |          |
|-------------|---|---------|---------------------|-------|----------|
| D279,101 S  | * | 6/1985  | Hulcomb, Sr. et al. | ..... | D15/6    |
| D293,581 S  | * | 1/1988  | Brown               | ..... | D15/6    |
| D375,102 S  | * | 10/1996 | De Hemer            | ..... | D15/6    |
| 5,863,470 A | * | 1/1999  | Grant               | ..... | 261/23.2 |

**OTHER PUBLICATIONS**

Holley Carburetor Throttle Plate part #12R-6236B.  
Holley Carburetor Throttle Plate part #12R-11197BB.

\* cited by examiner

*Primary Examiner*—Melody N. Brown

(74) *Attorney, Agent, or Firm*—Birdwell, Janke & Durando, PLC

(57) **CLAIM**

The ornamental design for a carburetor throttle body, substantially as shown and described.

**DESCRIPTION**

FIG. 1 is a perspective top view of a carburetor throttle body showing my new design.

FIG. 2 is a left side elevation view thereof.

FIG. 3 is a front elevation view thereof.

FIG. 4 is a rear elevation view thereof.

FIG. 5 is a right side elevation view thereof.

FIG. 6 is a top view thereof; and,

FIG. 7 is a bottom, plan view thereof.

**1 Claim, 2 Drawing Sheets**

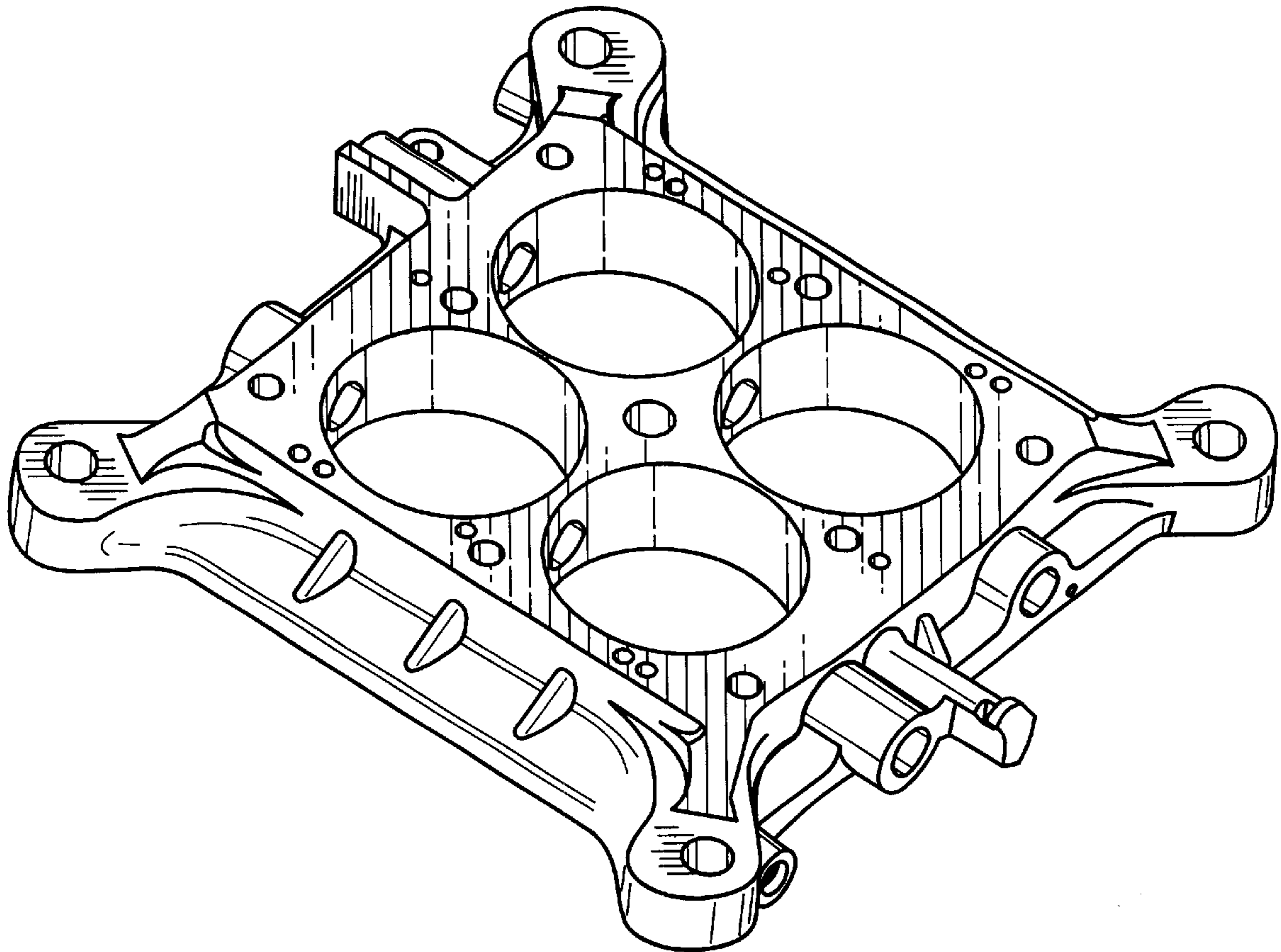


Fig. 1

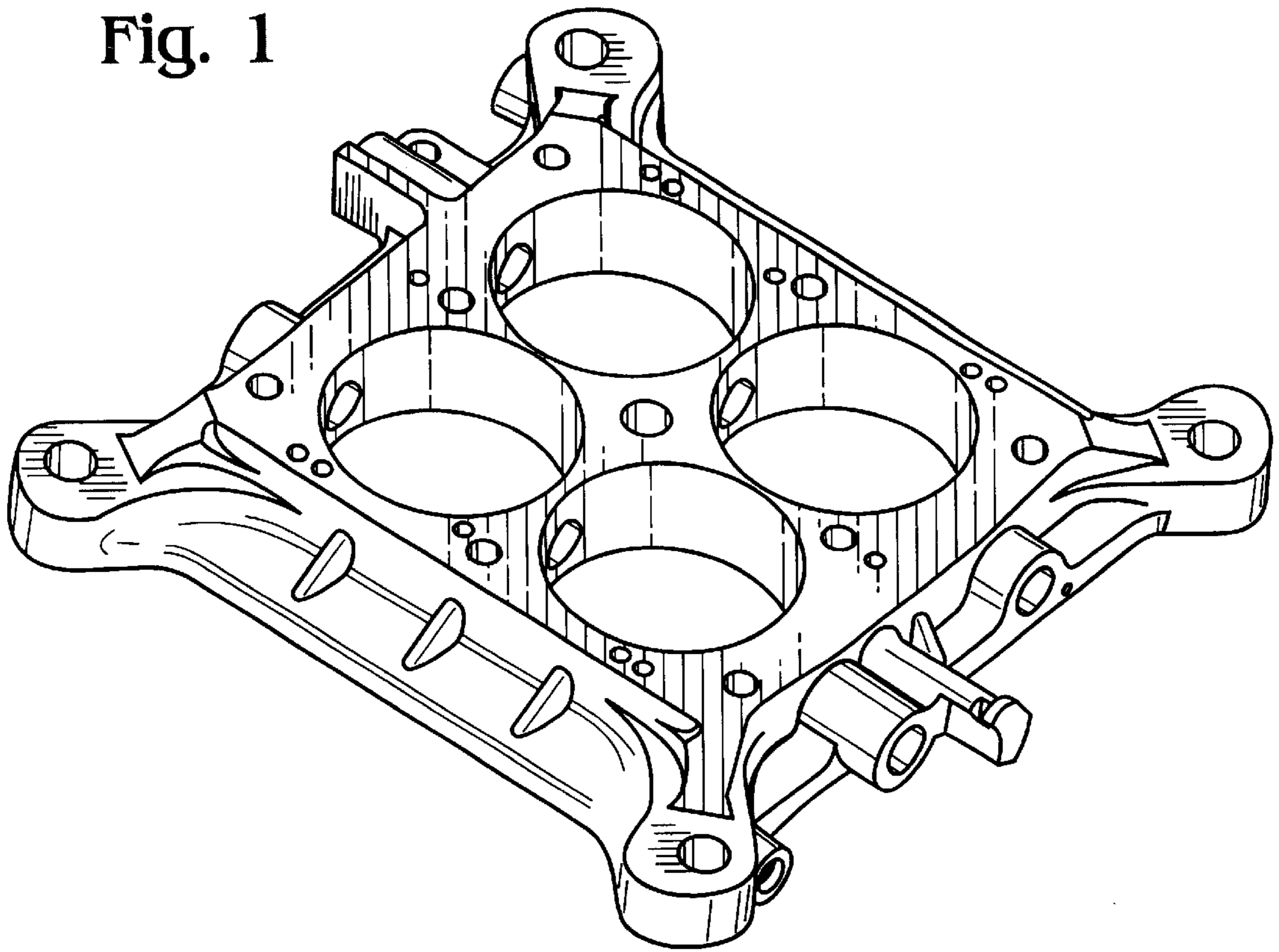


Fig. 2

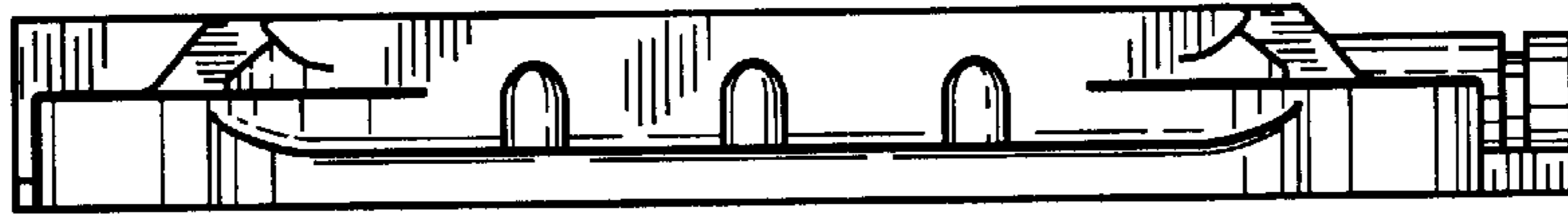


Fig. 3

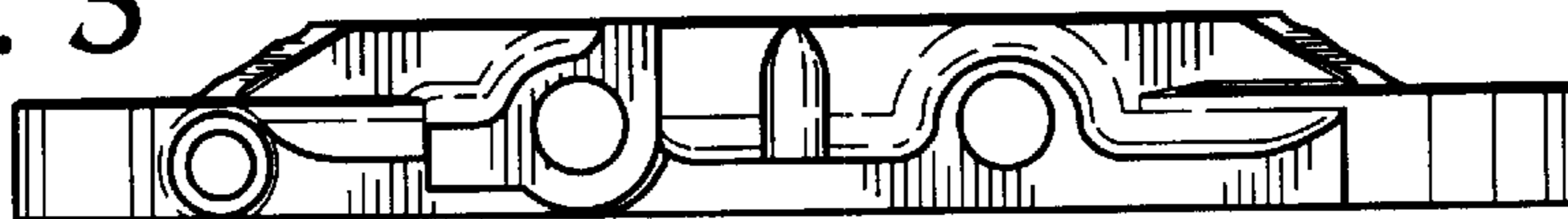


Fig. 4



Fig. 5

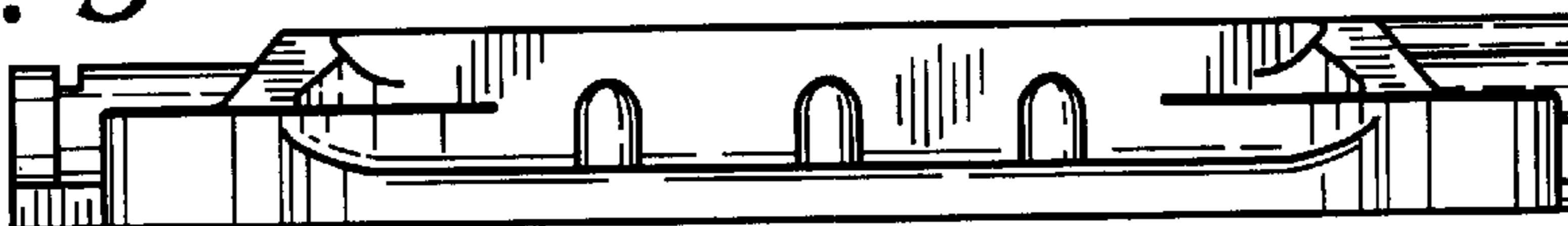


Fig. 6

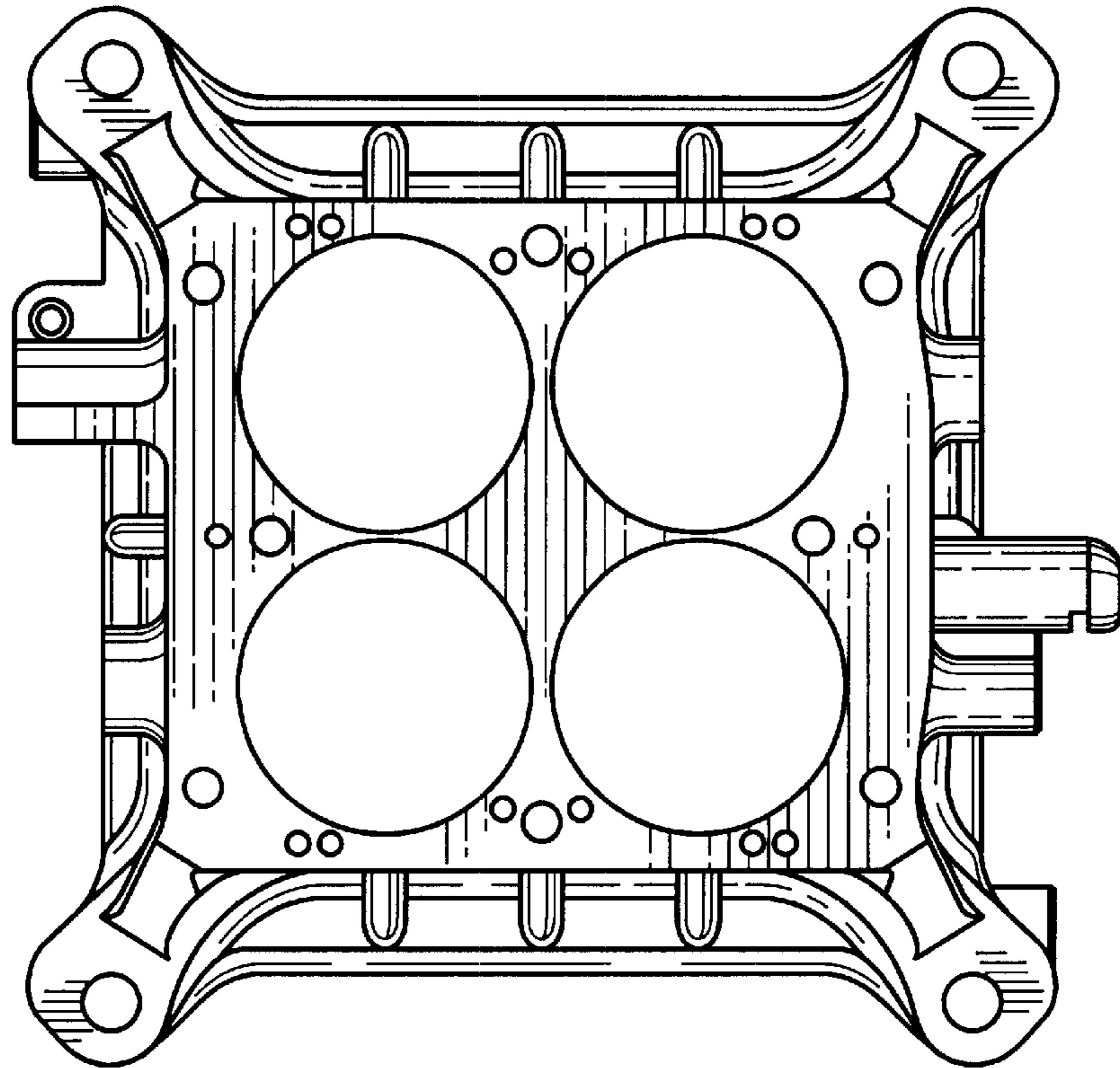


Fig. 7

