



US00D456815S

(12) **United States Design Patent**
Suzuki

(10) **Patent No.:** **US D456,815 S**

(45) **Date of Patent:** **** May 7, 2002**

(54) **ELEMENT OF AN ELECTRONIC COMPUTER**

(75) Inventor: **Shogo Suzuki**, Matsudo (JP)

(73) Assignee: **Kabushiki Kaisha Toshiba**, Kawasaki (JP)

(**) Term: **14 Years**

(21) Appl. No.: **29/135,953**

(22) Filed: **Jan. 23, 2001**

(30) **Foreign Application Priority Data**

Jul. 27, 2000 (JP) 2000-020652

(51) **LOC (7) Cl.** **14-02**

(52) **U.S. Cl.** **D14/439**

(58) **Field of Search** D14/432, 314,
D14/315-27; 235/145 A, 145 R; 341/22,
23; 345/104, 156, 168-9, 173; 361/679-86;
400/486, 489

(56) **References Cited**

U.S. PATENT DOCUMENTS

D310,213 S 8/1990 Tsukada et al.

D343,169 S 1/1994 Chung
D426,548 S * 6/2000 Oross et al.
D427,192 S * 6/2000 Segawa et al.
D432,569 S * 10/2000 Ito
D435,549 S * 12/2000 Amano et al.
D442,580 S * 5/2001 Wolff et al.
D446,787 S * 8/2001 Massaro et al.

* cited by examiner

Primary Examiner—M. H. Tung

(74) *Attorney, Agent, or Firm*—Banner & Witcoff, Ltd.

(57) **CLAIM**

The ornamental design for an element of an electronic computer, as shown and described.

DESCRIPTION

FIG. 1 is a top, front and right side perspective view of an element of an electronic computer showing my new design; FIG. 2 is a front elevational view thereof; FIG. 3 is a rear elevational view thereof; FIG. 4 is a right side elevational view thereof; FIG. 5 is a left side elevational view thereof; FIG. 6 is a top plan view thereof; and, FIG. 7 is a bottom plan view thereof.

1 Claim, 3 Drawing Sheets

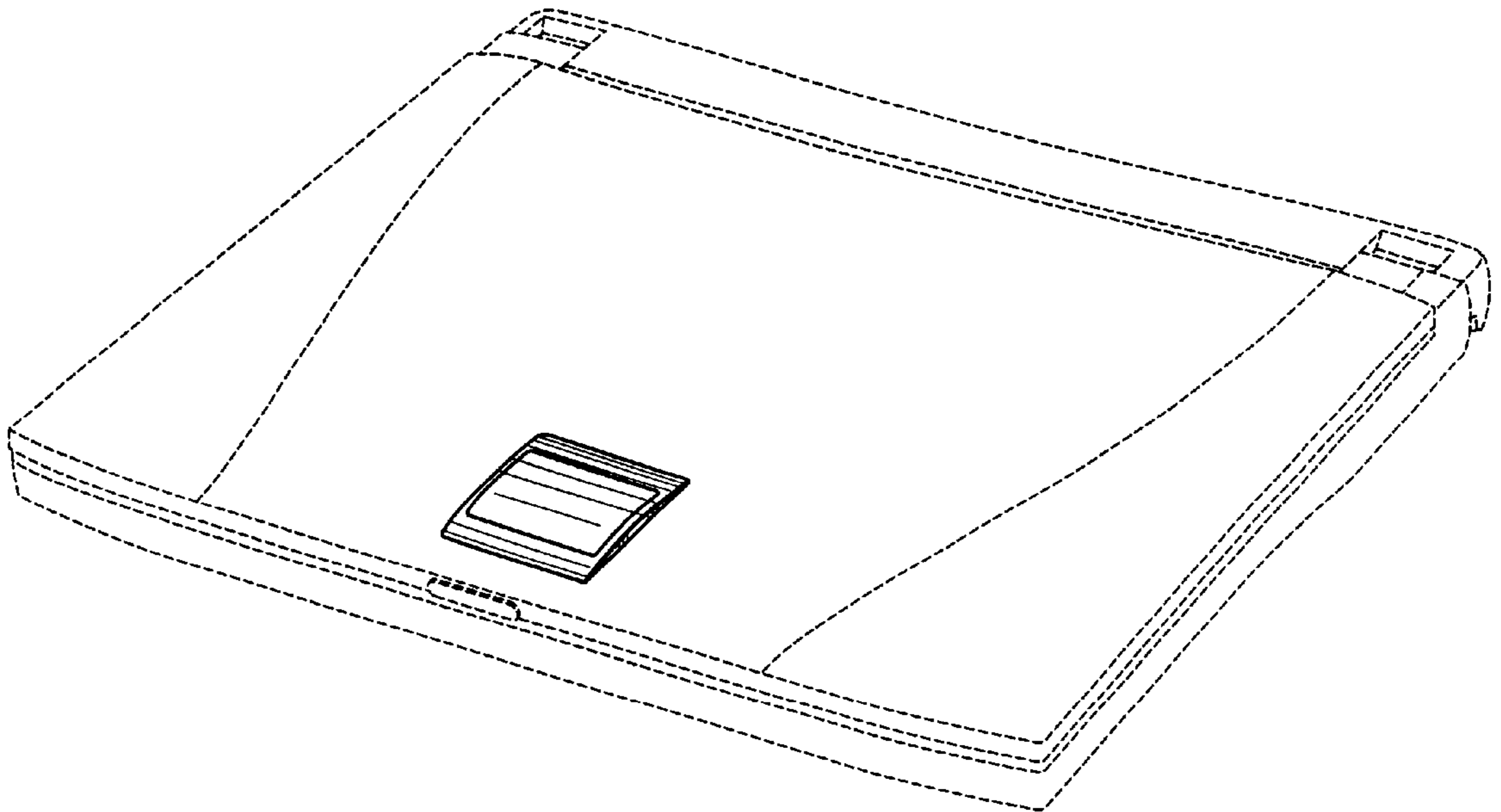


FIG. 1

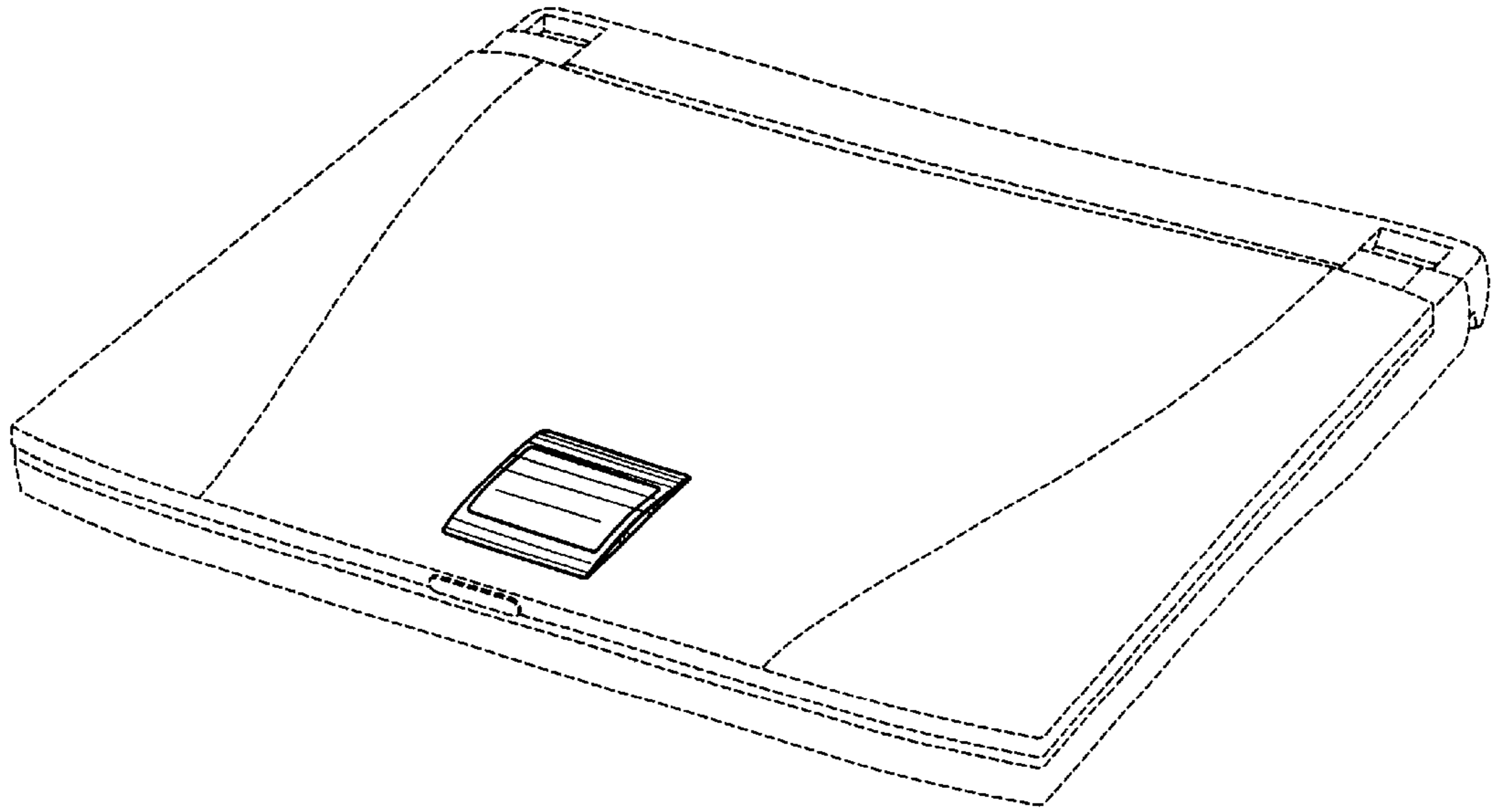


FIG. 2

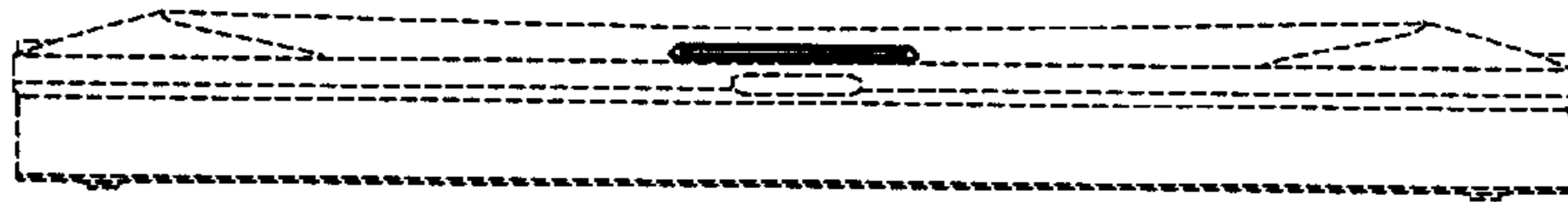


FIG. 3

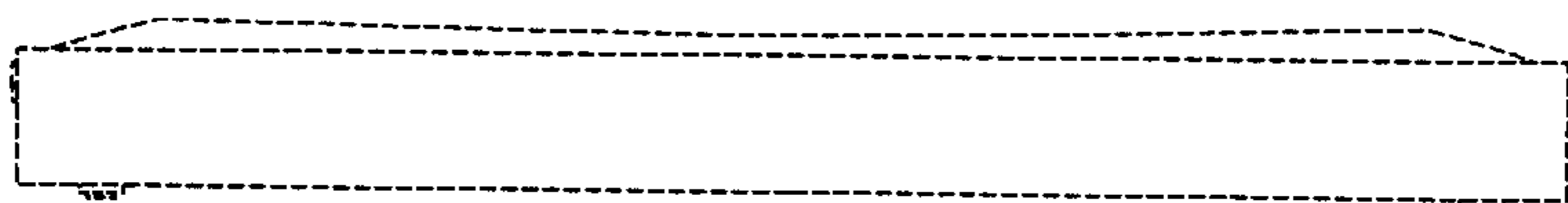


FIG. 4

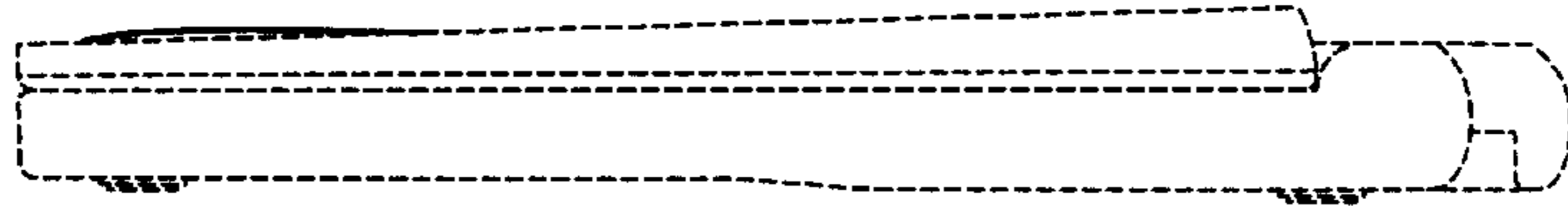


FIG. 5

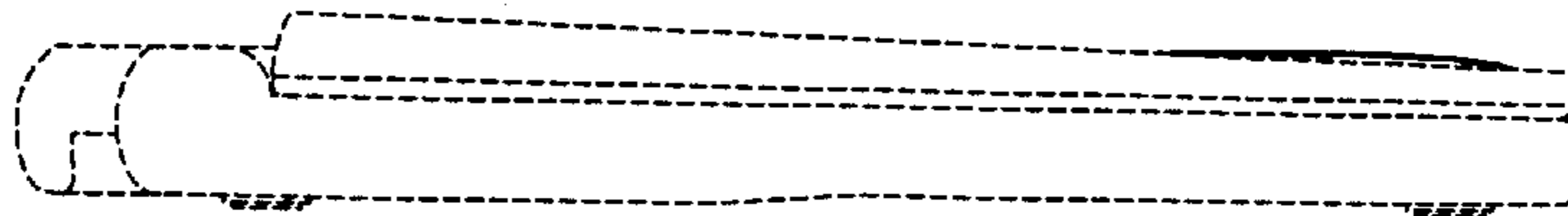


FIG. 6

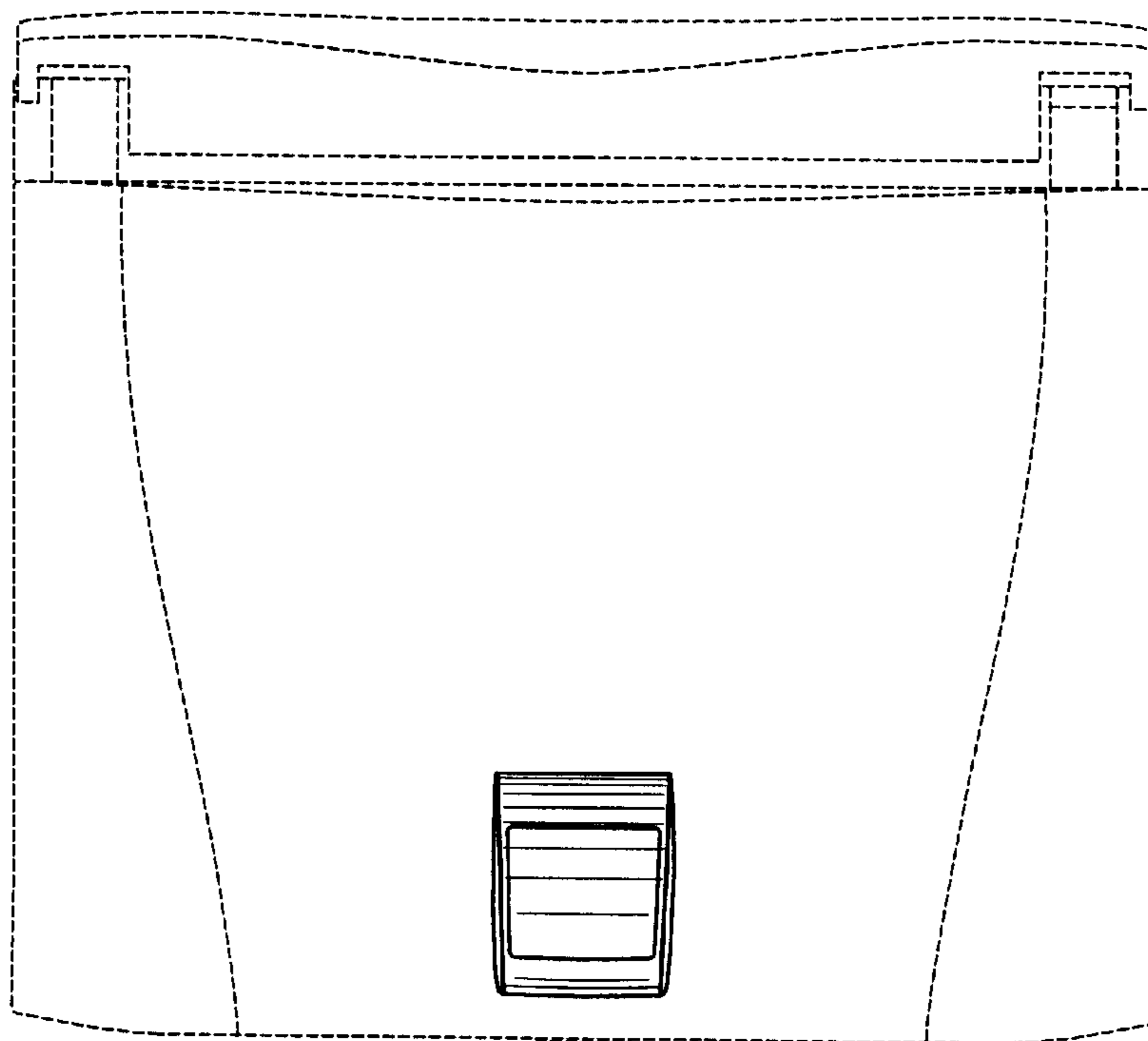


FIG. 7

