



US00D456811S

(12) **United States Design Patent**
Wheelock et al.

(10) **Patent No.:** **US D456,811 S**

(45) **Date of Patent:** **** May 7, 2002**

(54) **ENCLOSURE FOR INTEGRATED WIRELESS NODE**

(75) Inventors: **Glenn E. Wheelock**, Fremont; **Russell K. Layton, Jr.**, Mountain View; **Josef Berger**, Santa Clara; **Christopher D. Weeldreyer**, San Francisco, all of CA (US)

(73) Assignee: **Caly Corporation**, Sunnyvale, CA (US)

(**) Term: **14 Years**

(21) Appl. No.: **29/137,359**

(22) Filed: **Feb. 16, 2001**

(51) **LOC (7) Cl.** **14-02**

(52) **U.S. Cl.** **D14/432; D14/356**

(58) **Field of Search** D14/432, 356, D14/357, 358, 434, 217; 361/690-6; 370/464, 473-4, 310, 331, 338, 354, 351, 912-13

(56) **References Cited**

U.S. PATENT DOCUMENTS

D382,255 S * 8/1997 Moffatt
D416,559 S * 11/1999 Hoyt et al.

D434,761 S * 12/2000 Sheridan et al.

D436,349 S * 1/2001 Kim

D442,585 S * 5/2001 Toussi et al.

D448,373 S * 9/2001 Girtz

D448,767 S * 10/2001 Girtz

* cited by examiner

Primary Examiner—M. H. Tung

(74) *Attorney, Agent, or Firm*—Thomas Schneck

(57) **CLAIM**

The ornamental design for enclosure for integrated wireless node, as shown.

DESCRIPTION

FIG. 1 is an upper left front perspective view of our new design;

FIG. 2 is a lower right rear perspective view thereof;

FIG. 3 is a front elevational view thereof;

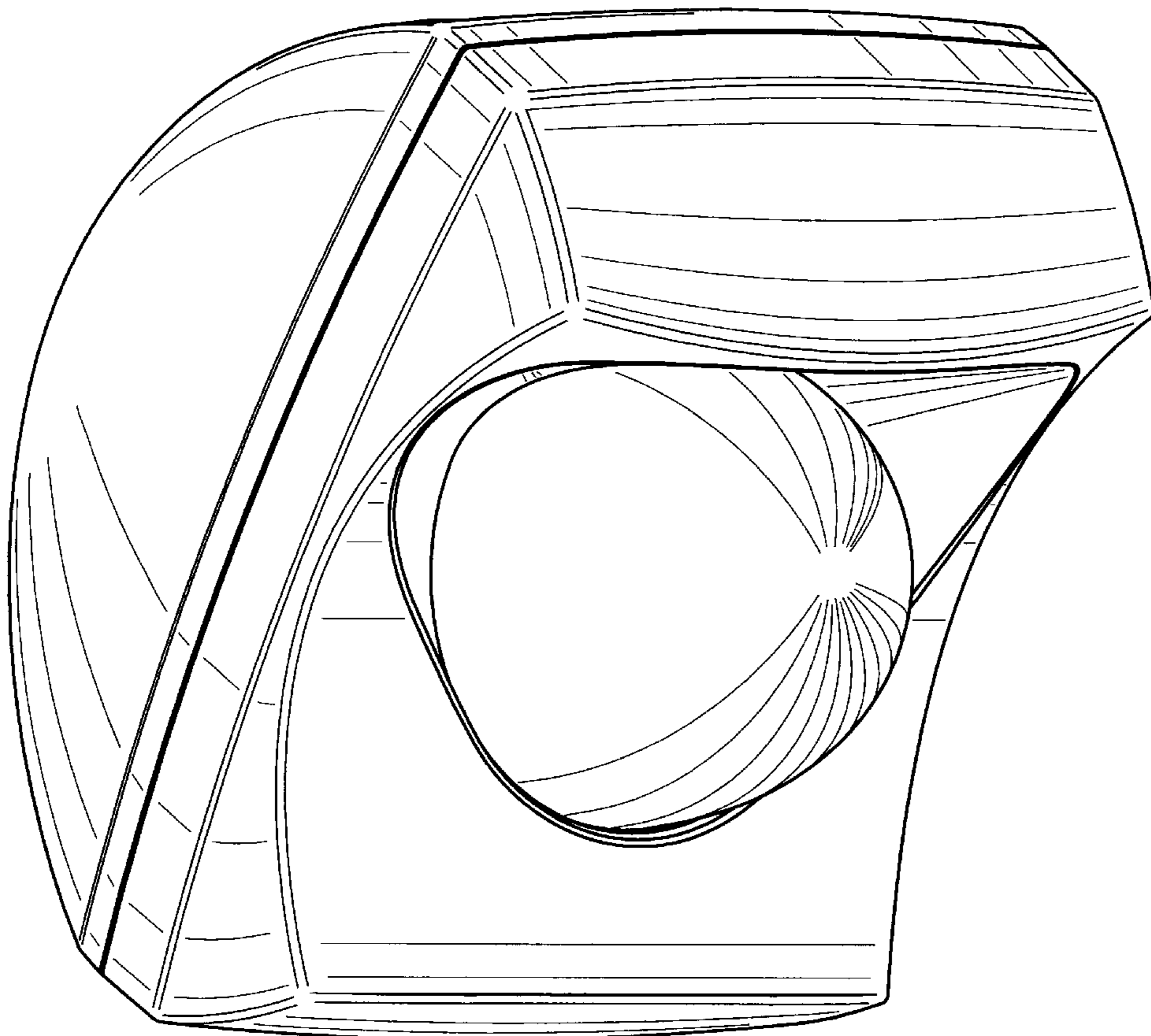
FIG. 4 is a right side elevational view, the left side being a mirror image thereof;

FIG. 5 is a rear elevational view of the design of FIG. 1;

FIG. 6 is a top plan view thereof; and,

FIG. 7 is a bottom plan view thereof.

1 Claim, 7 Drawing Sheets



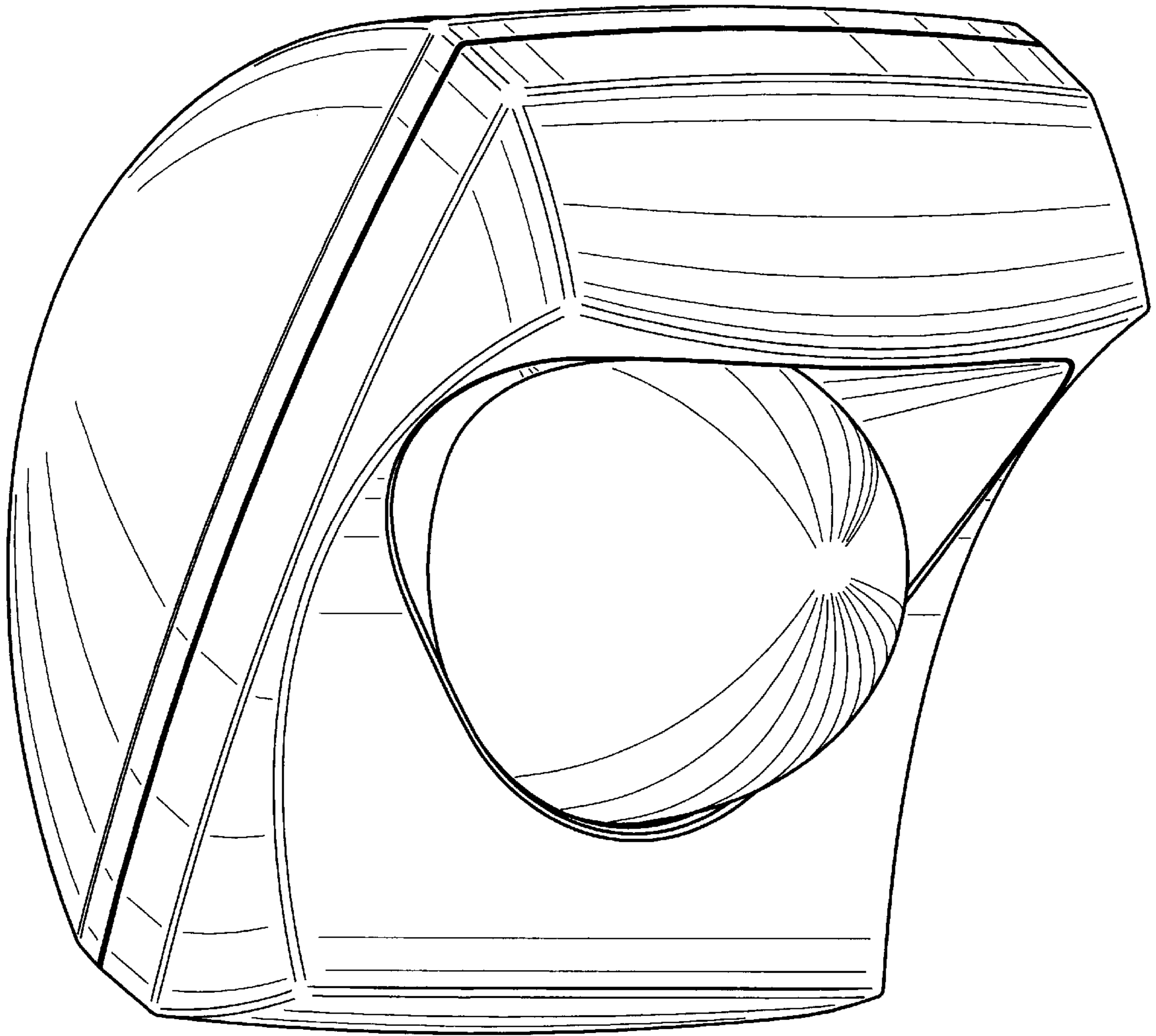


FIG. 1

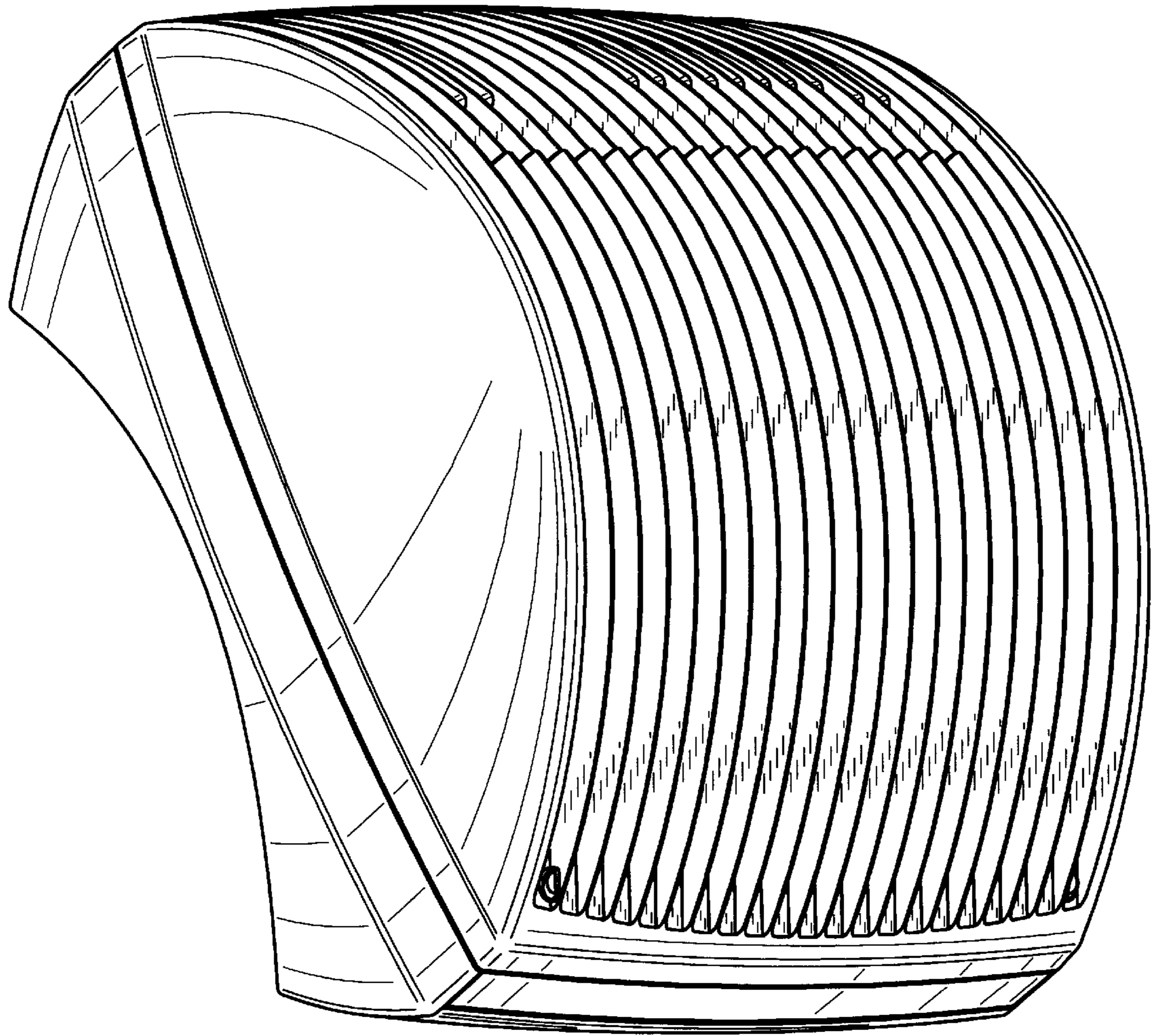


FIG. 2

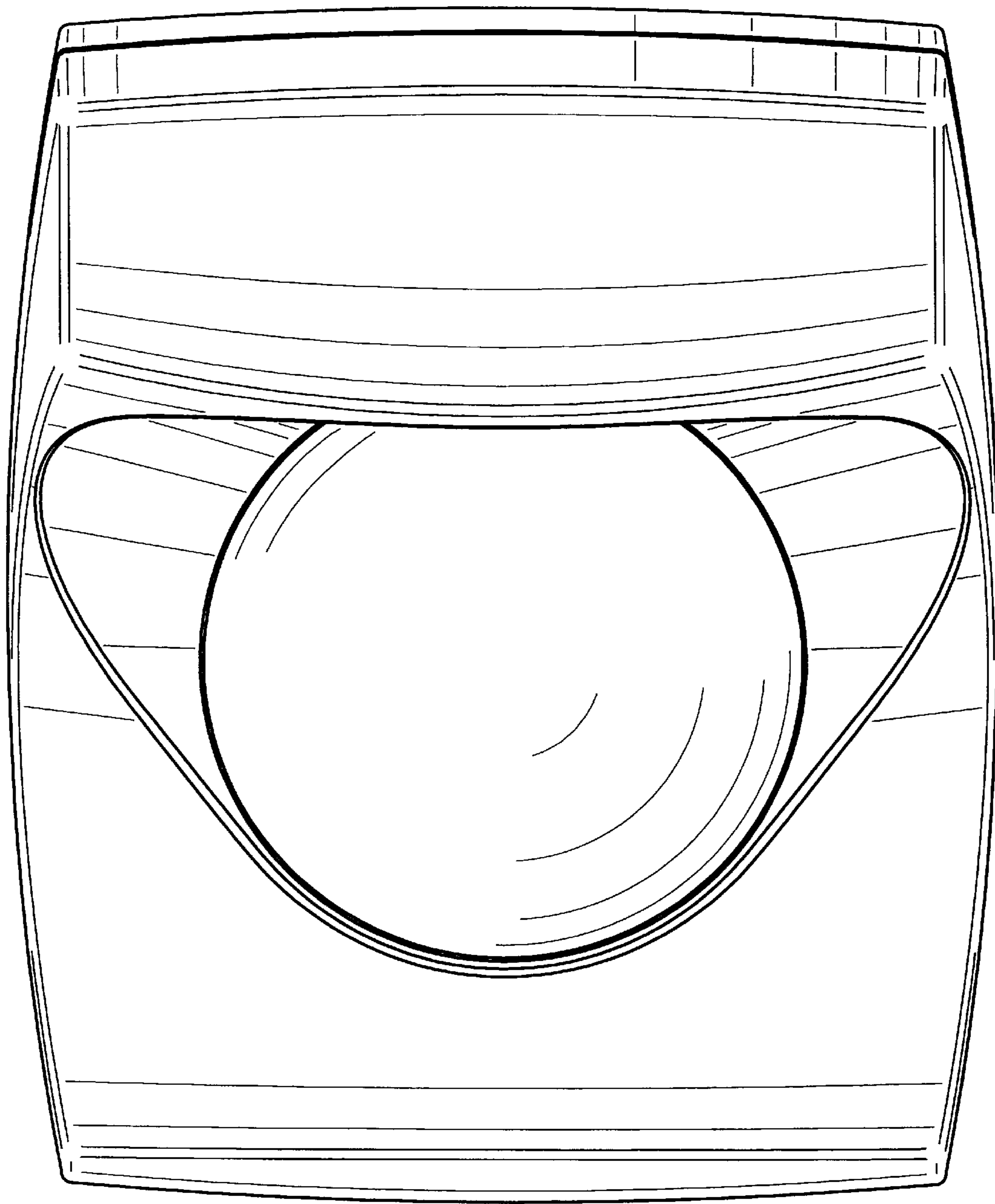


FIG. 3

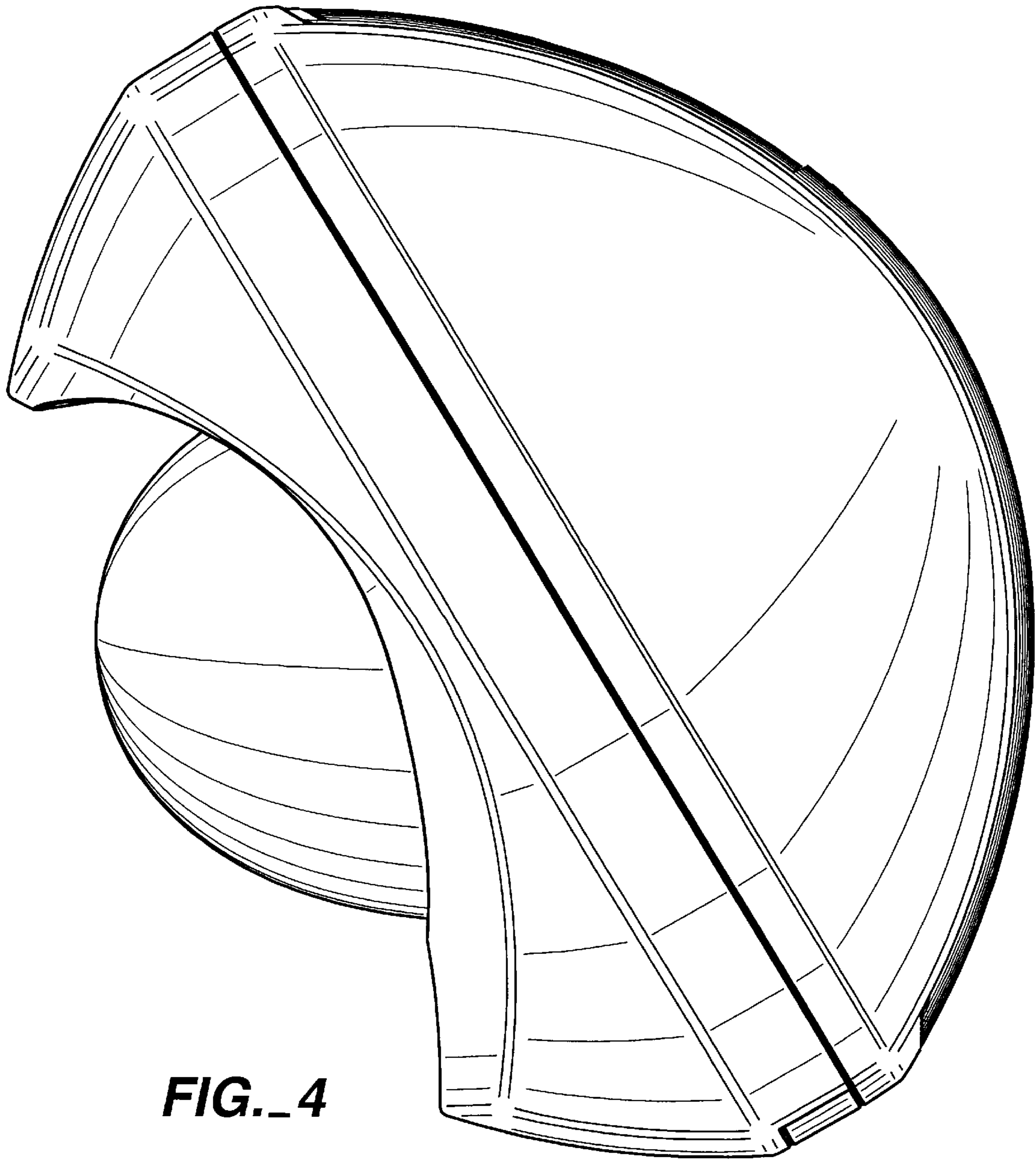


FIG. 4

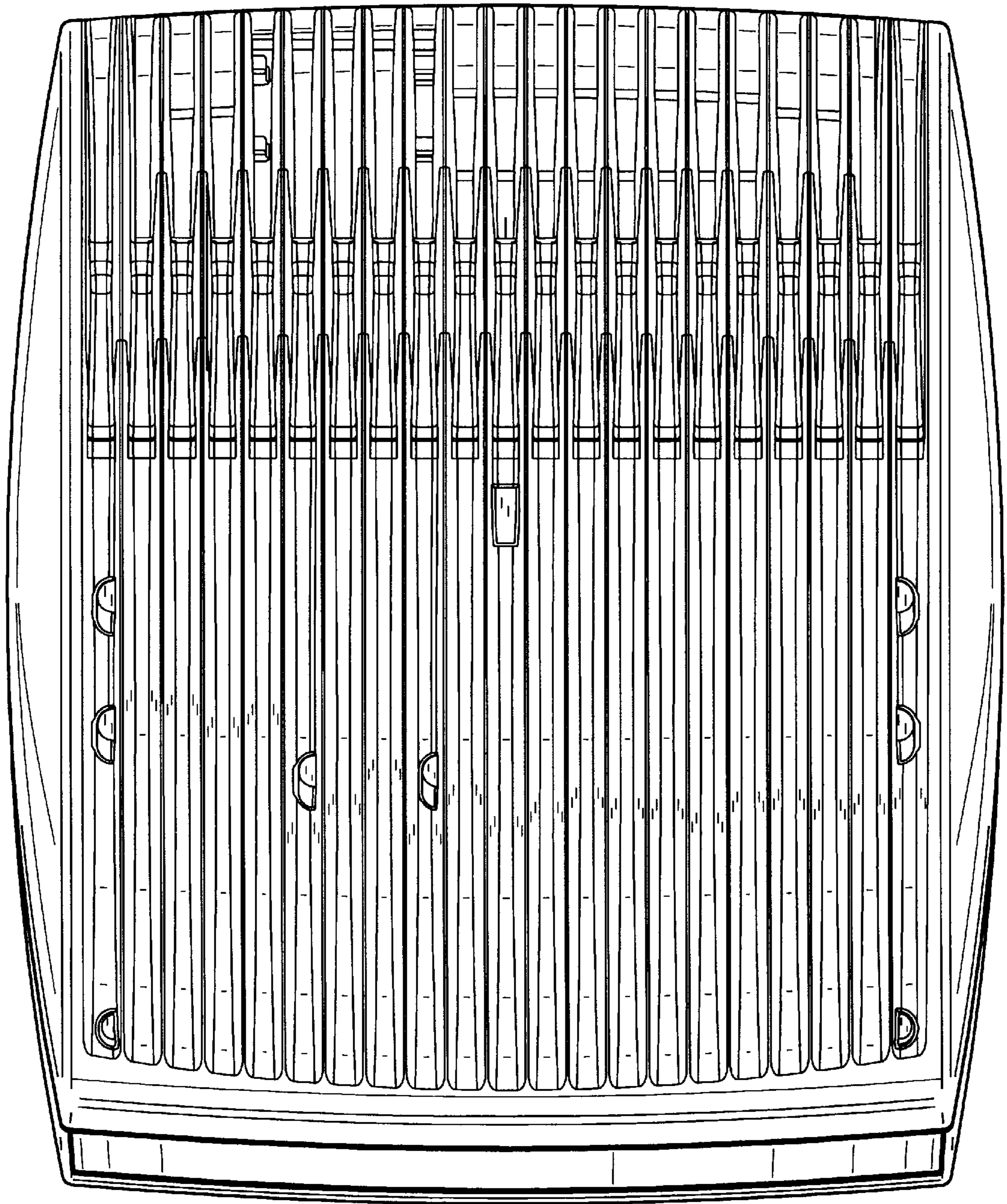


FIG. 5

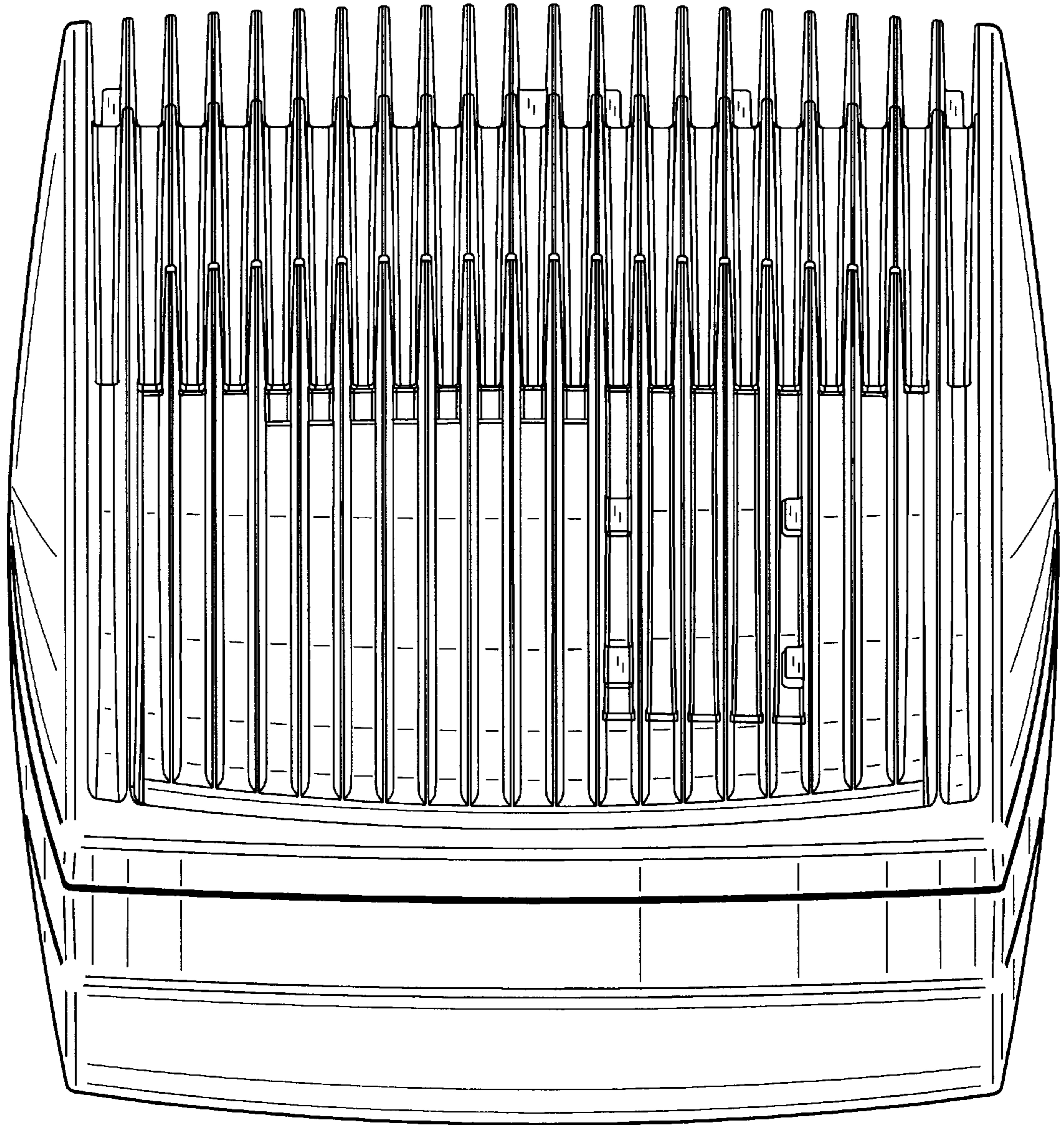


FIG. 6

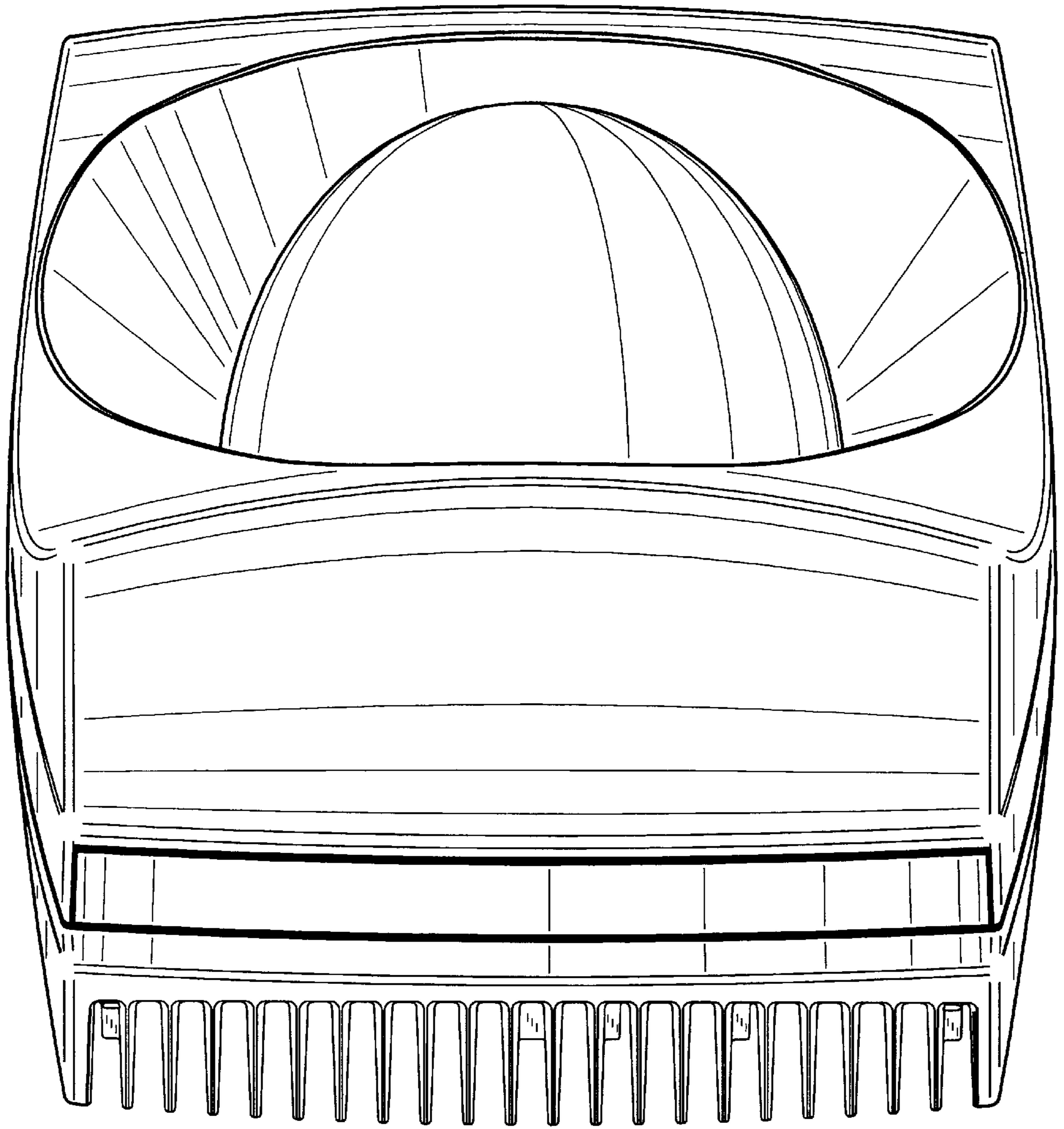


FIG. 7