



US00D456804S

(12) **United States Design Patent** (10) **Patent No.:** **US D456,804 S**
Fisher et al. (45) **Date of Patent:** **** May 7, 2002**

(54) **PERSONAL DIGITAL ASSISTANT**

(75) Inventors: **Gary Alan Fisher; Hiu Kwan Hui; Stuart Harvey Lee**, all of Kowloon Bay (HK)

(73) Assignee: **OneWorld Enterprises, Ltd.**, Hong Kong (HK)

(**) Term: **14 Years**

(21) Appl. No.: **29/137,514**

(22) Filed: **Feb. 22, 2001**

(51) **LOC (7) Cl.** **14-02**

(52) **U.S. Cl.** **D14/341**

(58) **Field of Search** D14/341-345;
D18/1, 2, 6, 7; 235/145 A, 145 R; 341/22,
23; 345/156, 168, 169, 172, 173, 87; 349/12;
361/680-686

(56) **References Cited**

U.S. PATENT DOCUMENTS

D397,679 S	*	9/1998	Hawkins et al.	D14/342
D408,021 S	*	4/1999	Haitani et al.	D14/345
D410,486 S	*	6/1999	Takahata et al.	D18/2
D423,468 S	*	4/2000	Jenkins	D14/342

* cited by examiner

Primary Examiner—Freda Nunn

(74) *Attorney, Agent, or Firm*—Cowan, Liebowitz & Latman. P.C.; Mark Montague

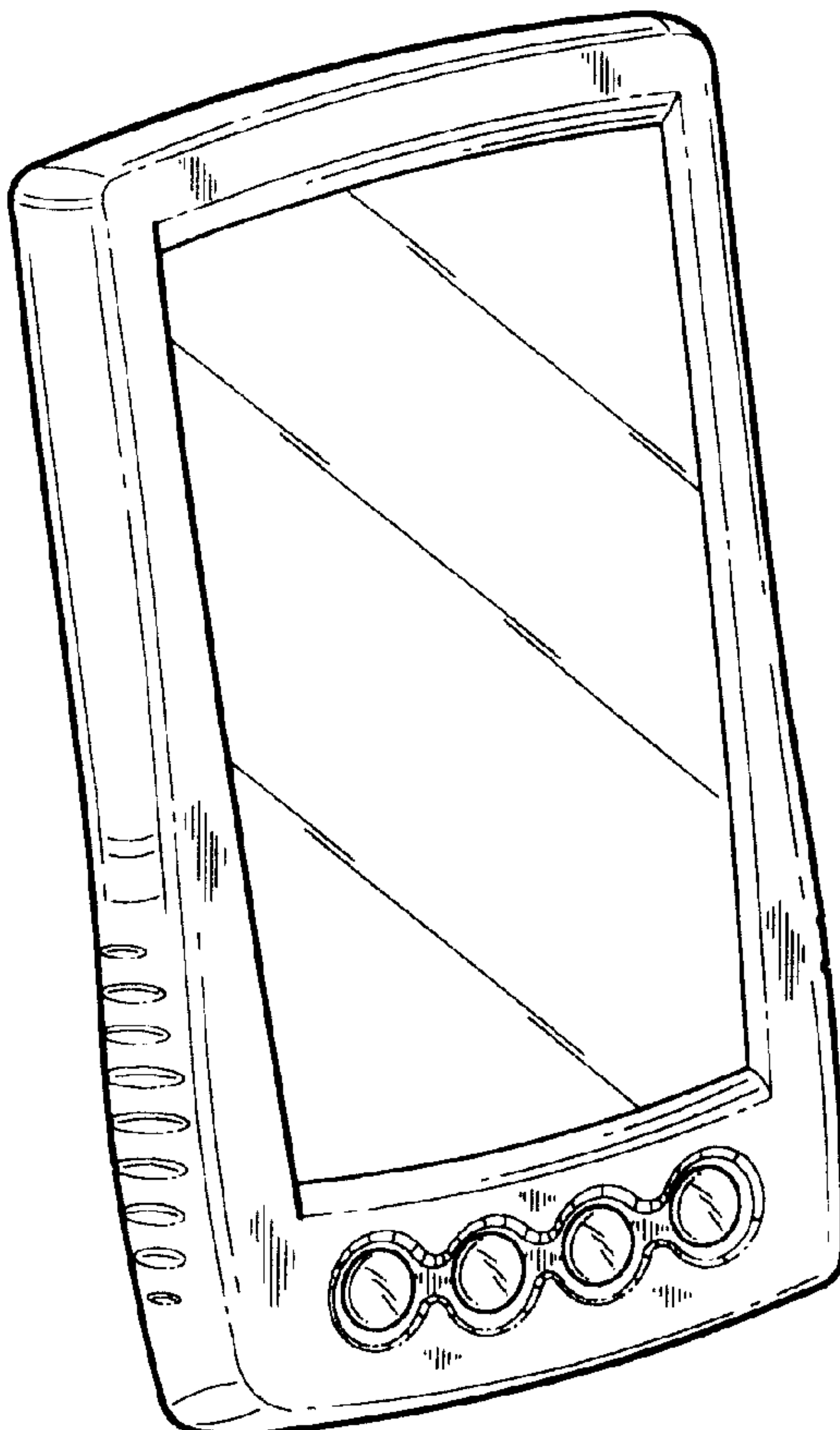
(57) **CLAIM**

The ornamental design for a personal digital assistant, as shown and described.

DESCRIPTION

FIG. 1 is a front view of the personal digital assistant;
 FIG. 2 is a top view of the personal digital assistant;
 FIG. 3 is a bottom view of the personal digital assistant;
 FIG. 4 is a left side view of the personal digital assistant;
 FIG. 5 is a right side view of the personal digital assistant;
 FIG. 6 is a back view of the personal digital assistant;
 FIG. 7 is a perspective view of the personal digital assistant;
 FIG. 8 is another perspective view of the personal digital assistant showing the stylus removed from its base;
 FIG. 9 is a perspective view of the back of the personal digital assistant; and,
 FIG. 10 is another perspective view of the back of personal digital assistant showing the stylus removed from its base.

1 Claim, 2 Drawing Sheets



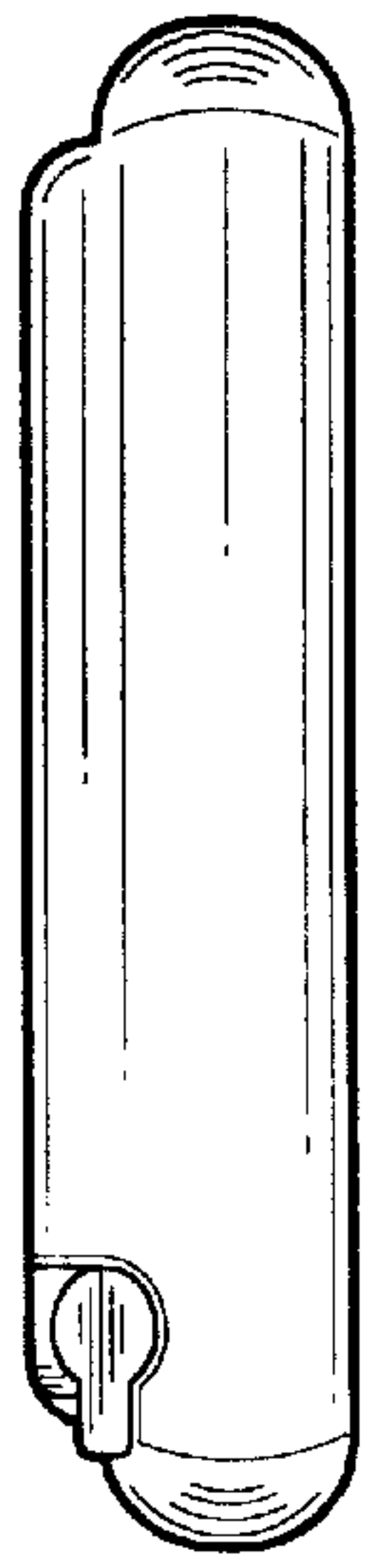


FIG. 2

FIG. 4

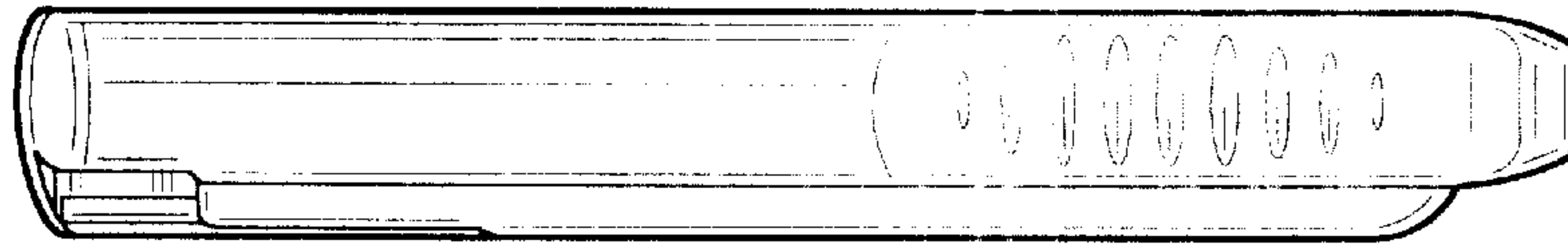


FIG. 5

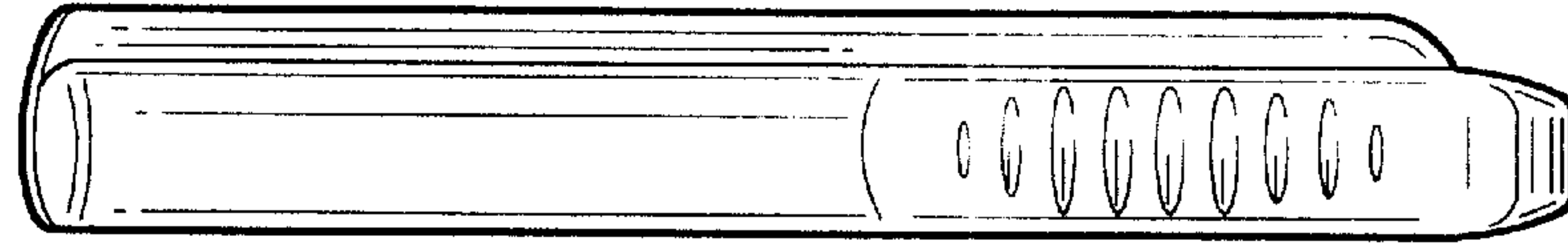


FIG. 6

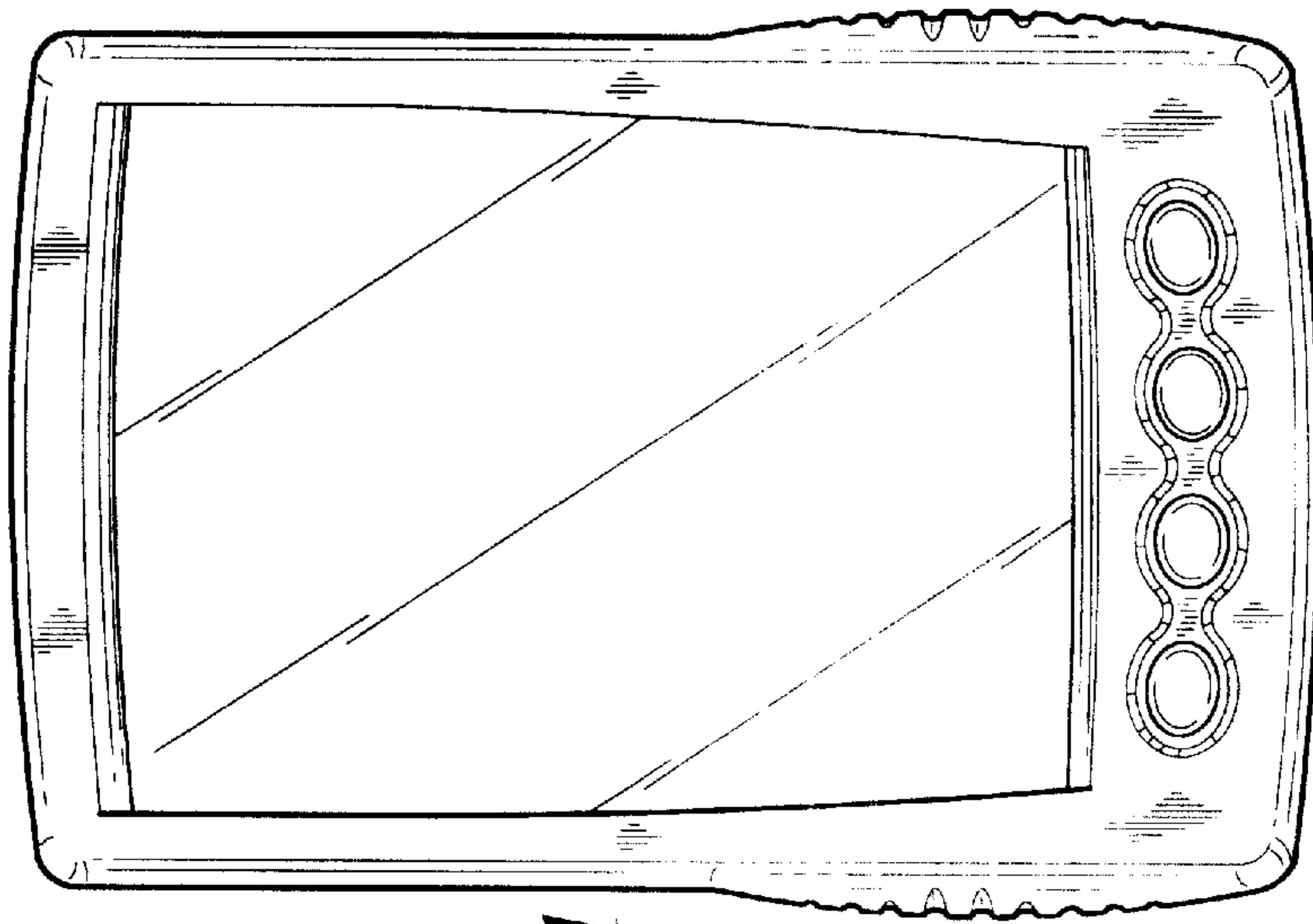
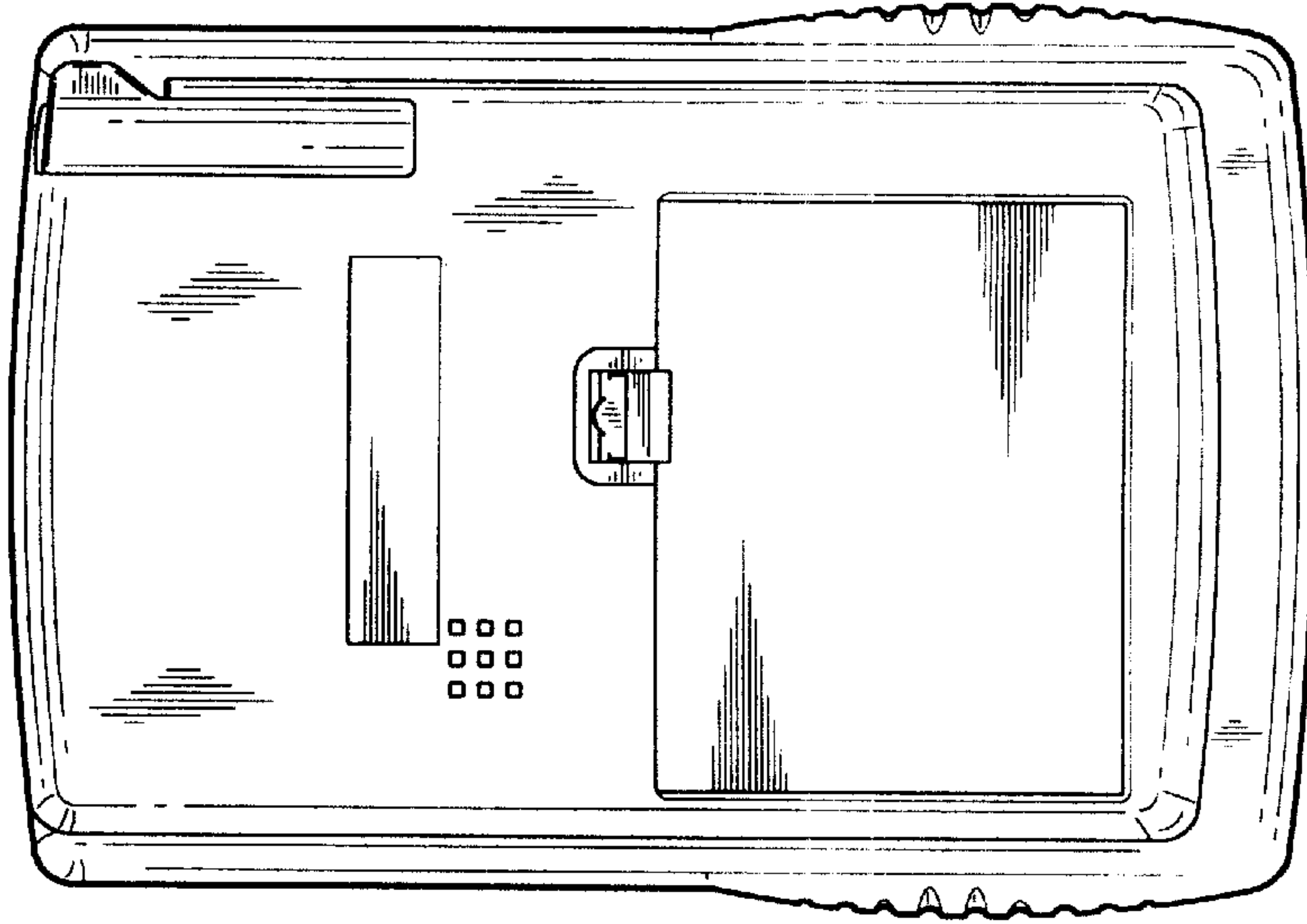


FIG. 1

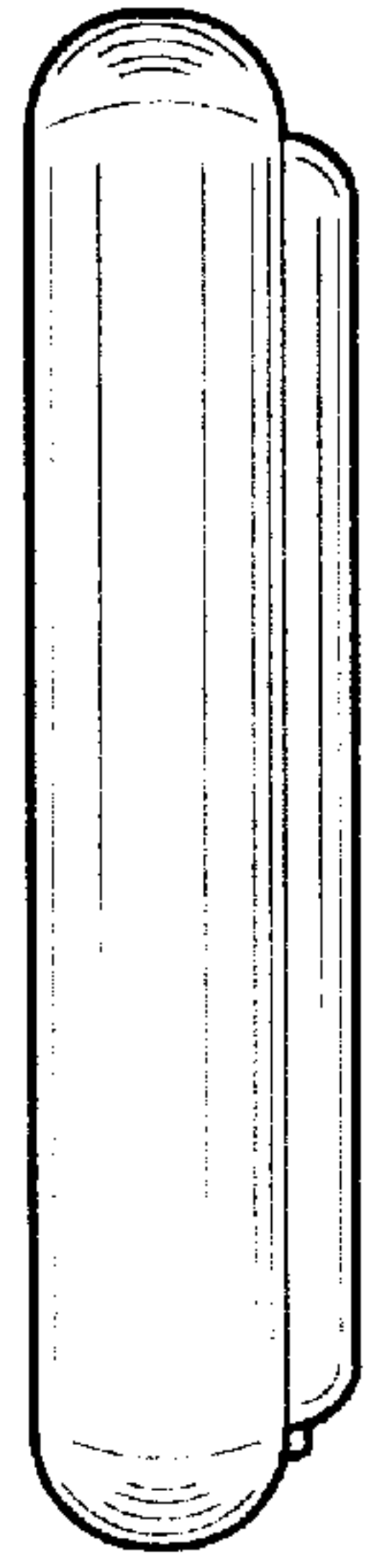


FIG. 3

FIG. 7

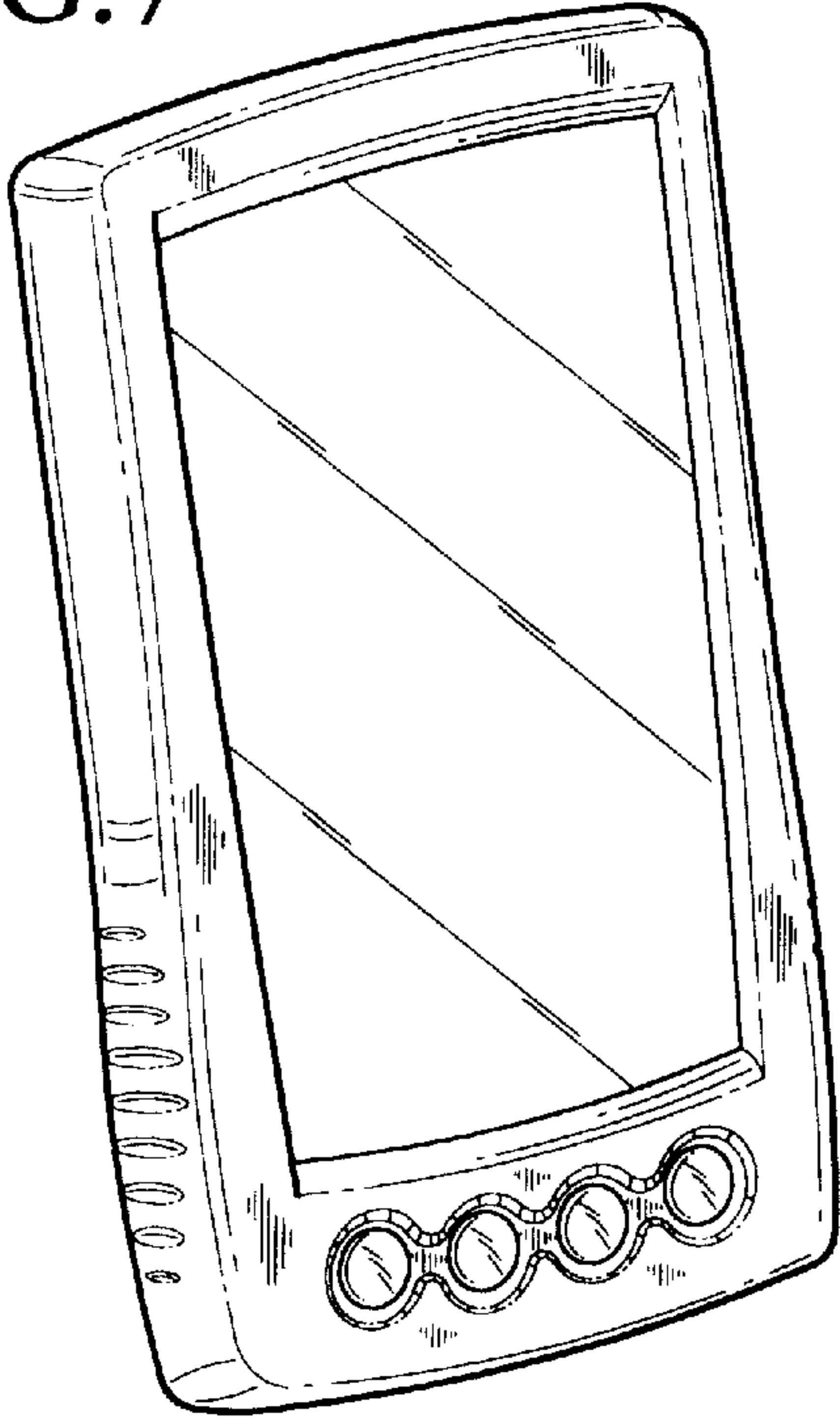


FIG. 9

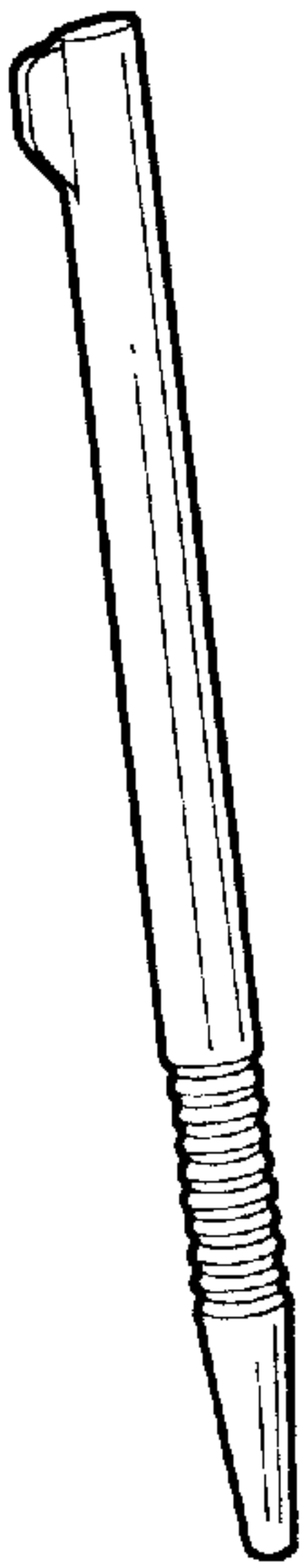
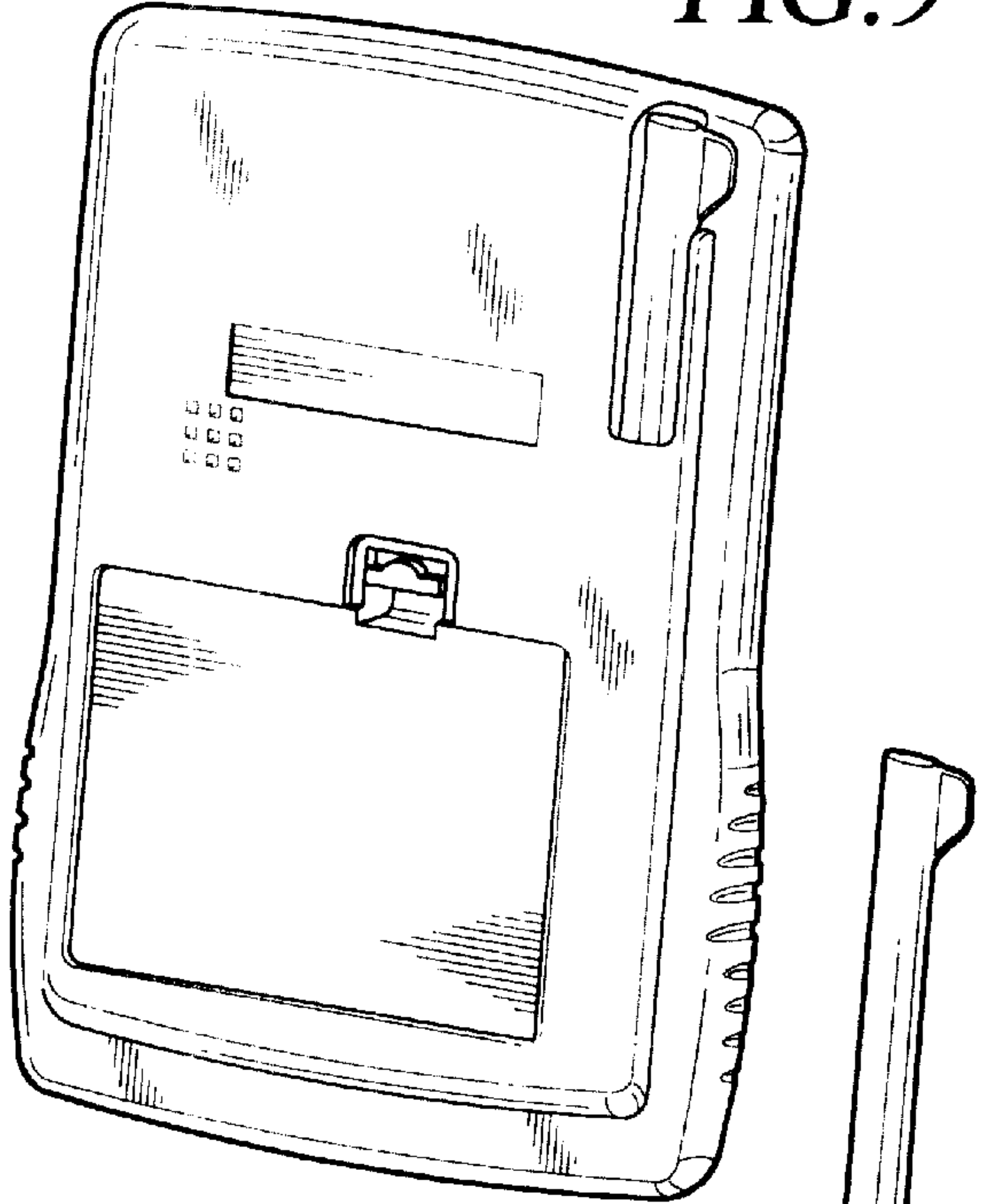


FIG. 8

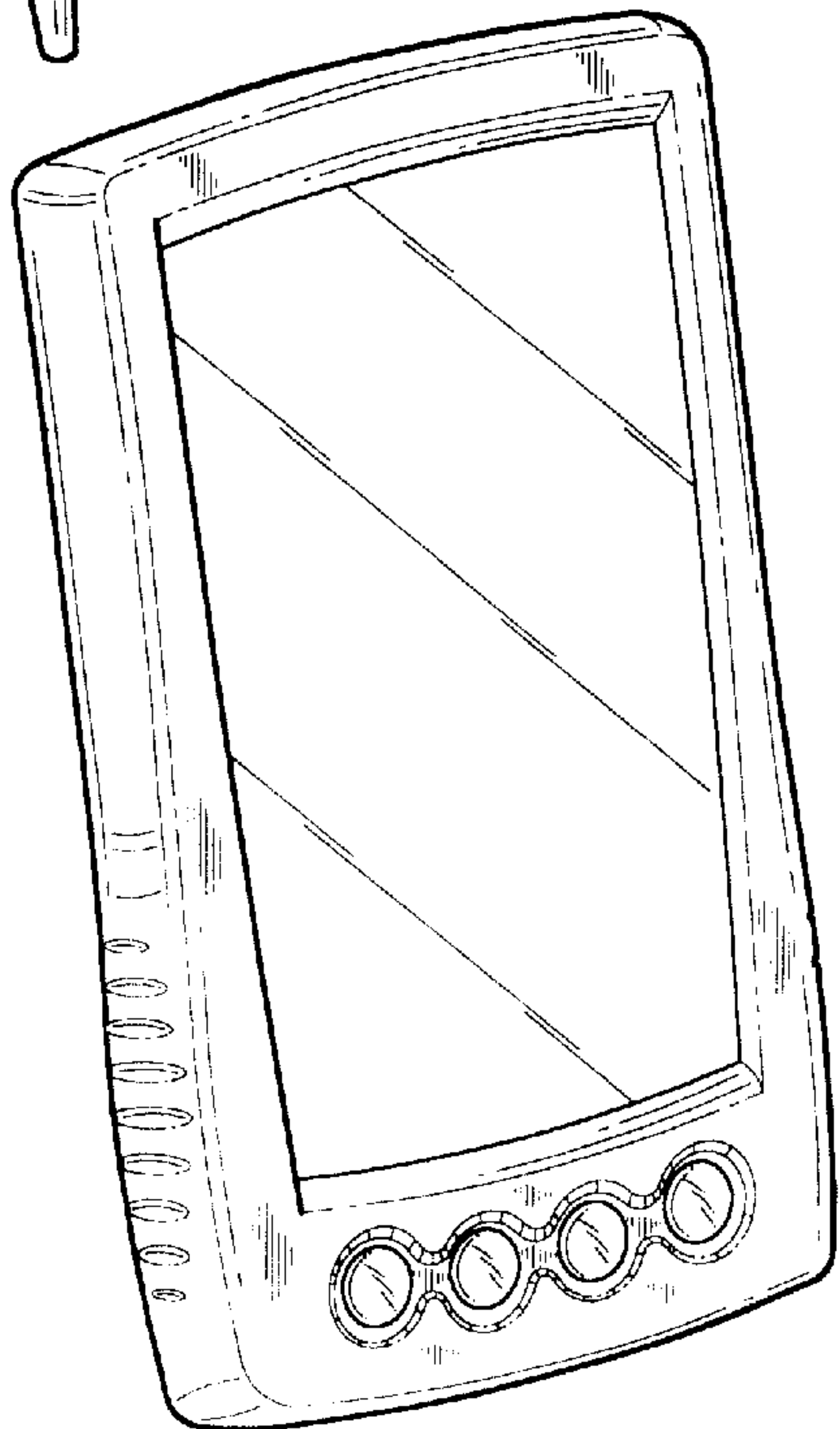


FIG. 10

