



US00D456796S

(12) **United States Design Patent**
Silver

(10) **Patent No.:** **US D456,796 S**

(45) **Date of Patent:** **** May 7, 2002**

(54) **MICROPHONE BOOM COVER**

6,061,880 A * 5/2000 Senninger 24/339

(76) Inventor: **Bruce A. Silver**, 112 Country Club Dr.,
Linwood, NJ (US) 08221

* cited by examiner

(**) Term: **14 Years**

Primary Examiner—Nanda Bondade
(74) *Attorney, Agent, or Firm*—Akin, Gump, Strauss,
Hauer & Feld, L.L.P.

(21) Appl. No.: **29/128,995**

(57) **CLAIM**

(22) Filed: **Sep. 6, 2000**

The ornamental design for a microphone boom cover, as shown and described.

(51) **LOC (7) Cl.** **14-99**

(52) **U.S. Cl.** **D14/217; D14/299**

(58) **Field of Search** D8/349, 354-356,
D8/377; D25/119-125, 164, 199; 24/130,
306, 339; 29/450, 453; 174/97, 175; 248/74.2,
205.2; 401/35; 403/188, 211, 391; D14/224,
226, 217, 299

DESCRIPTION

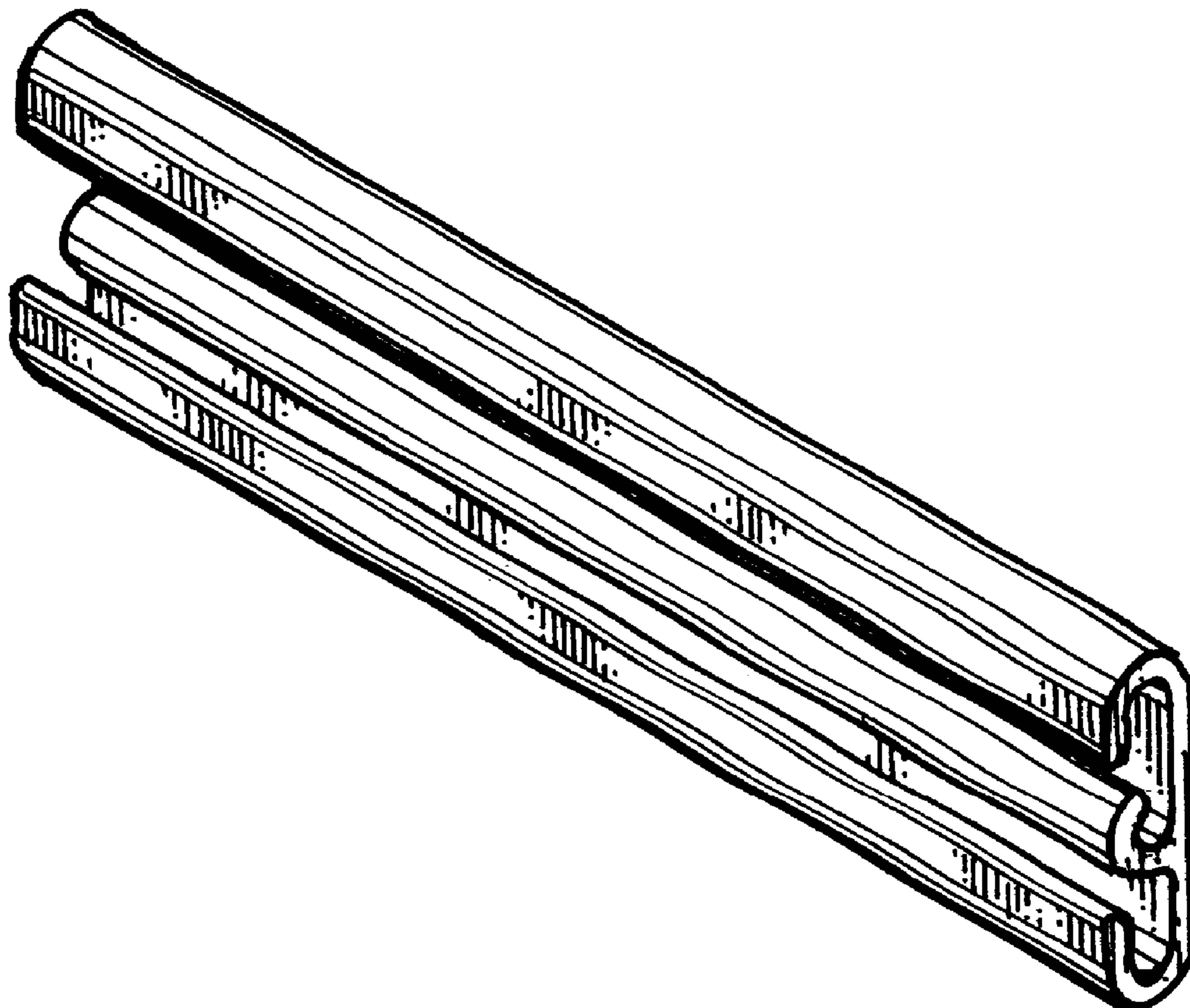
(56) **References Cited**

U.S. PATENT DOCUMENTS

3,391,432 A	*	7/1968	Rocher	403/188
3,399,433 A	*	9/1968	Faulkner	403/391
4,614,838 A	*	9/1986	Sandstrom	174/97
D354,904 S	*	1/1995	Halsten	D8/356
D404,637 S	*	1/1999	Nagato	D8/354
D406,749 S	*	3/1999	Selk	D8/356
5,987,710 A	*	11/1999	Paul et al.	24/130

FIG. 1 is a front elevational view of a microphone boom cover in accordance with my new design;
FIG. 2 is a rear elevational view of the microphone boom cover of FIG. 1;
FIG. 3 is a top plan view of the microphone boom cover of FIG. 1, the bottom plan view being a mirror image thereof;
FIG. 4 is a right side elevational view of the microphone boom cover of FIG. 1;
FIG. 5 is a left side elevational view of the microphone boom cover of FIG. 1; and,
FIG. 6 is a rear perspective view of the microphone boom cover of FIG. 1.

1 Claim, 1 Drawing Sheet



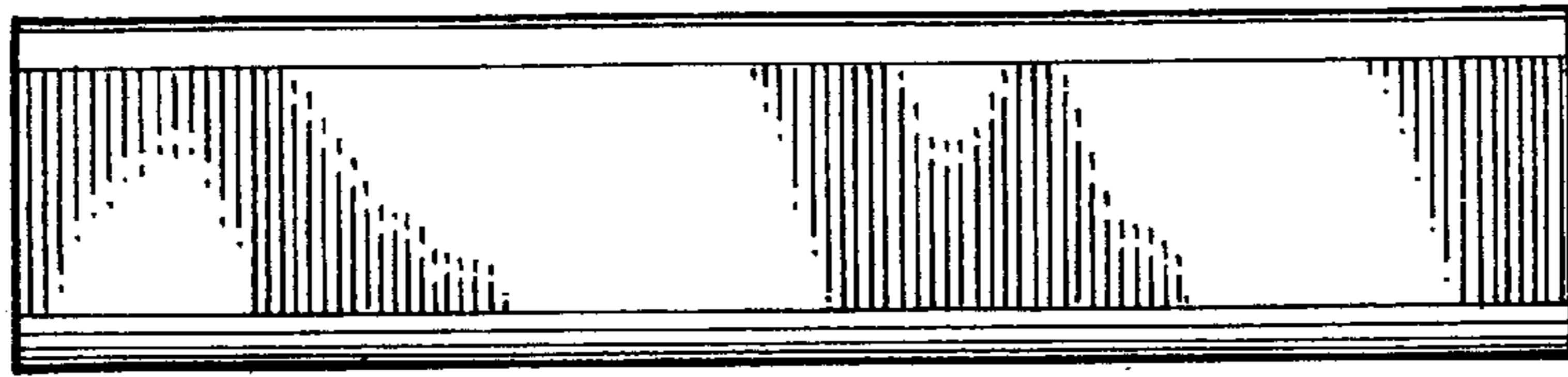


FIG. 1

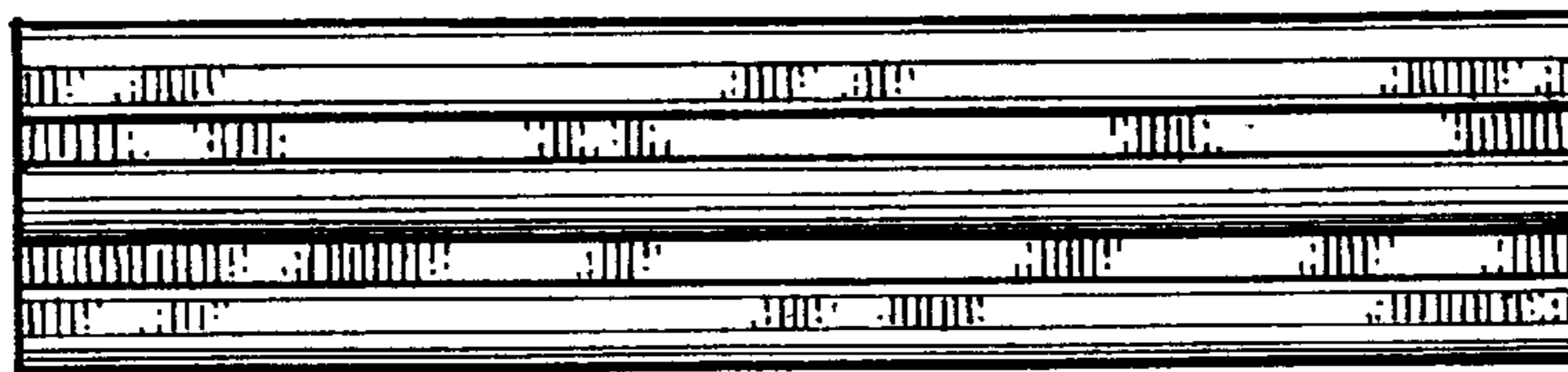


FIG. 2

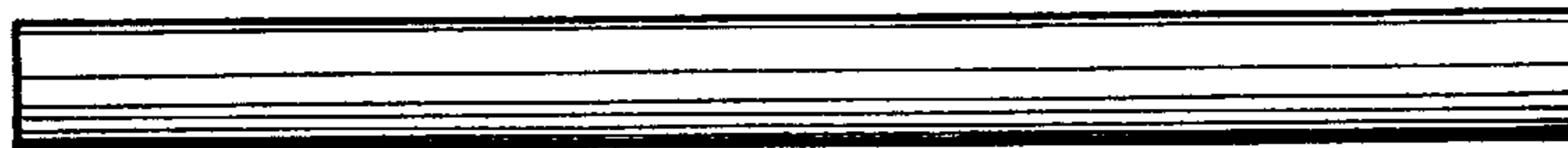


FIG. 3



FIG. 4



FIG. 5

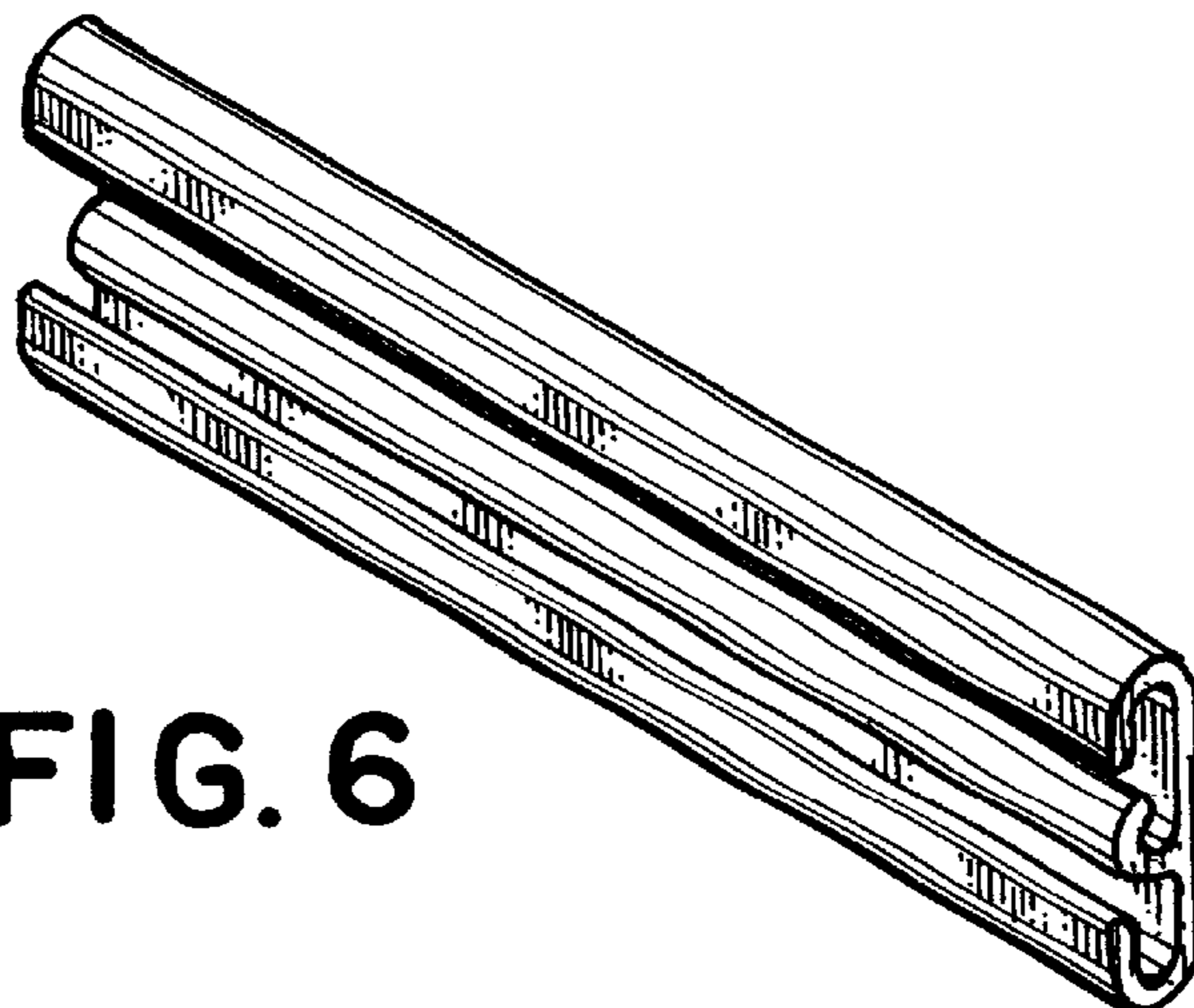


FIG. 6