



US00D456789S

(12) **United States Design Patent**
Snyker

(10) **Patent No.:** **US D456,789 S**

(45) **Date of Patent:** **** May 7, 2002**

(54) **PIVOTAL DISPLAY MONITOR**

(75) Inventor: **Mark O. Snyker**, Eugene, OR (US)

(73) Assignee: **Rosen Products LLC**, Eugene, OR (US)

(**) Term: **14 Years**

(21) Appl. No.: **29/142,516**

(22) Filed: **May 25, 2001**

(51) **LOC (7) Cl.** **14-03**

(52) **U.S. Cl.** **D14/132**

(58) **Field of Search** D14/125-136,
D14/239, 371, 374, 315, 327, 375, 451;
D12/415-418, 345; D6/513; 296/37.1, 37.8,
37.7, 70; 224/311, 539; 180/90; 248/917-924;
312/7.2; 340/995; 345/905; 348/148, 825,
827, 836-838, 840

(56) **References Cited**

U.S. PATENT DOCUMENTS

- 5,946,055 A * 8/1999 Rosen 312/7.2
- D413,856 S * 9/1999 Scribner D14/132
- 6,059,255 A * 5/2000 Rosen et al. 248/917
- D435,024 S * 12/2000 Rosen D14/132
- D442,153 S * 5/2001 Lavelle et al. D14/126

D446,507 S * 8/2001 Rosen et al. D14/132

* cited by examiner

Primary Examiner—Raphael Barkai

(74) *Attorney, Agent, or Firm*—Kolisch, Hartwell, Dickinson, McCormack & Heuser

(57) **CLAIM**

The ornamental design for a pivotal display monitor, as shown and described.

DESCRIPTION

FIG. 1 is a rear view of a pivotal display monitor constructed in accordance with the present invention, the pivotal display monitor being mounted to a vehicle ceiling, shown in dashed lines, with the monitor in a deployed orientation;

FIG. 2 is a front view of the pivotal display monitor of FIG. 1;

FIG. 3 is a right-side view of the pivotal display monitor of FIG. 1, the left-side view being a mirror image thereof;

FIG. 4 is a bottom plan view of the pivotal display monitor of FIG. 1;

FIG. 5 is an isometric view of the pivotal display monitor of FIG. 1, the pivotal display monitor being mounted to a vehicle ceiling, shown in dashed lines, with the monitor in a deployed orientation; and,

FIG. 6 is an isometric view similar to FIG. 5, but with the monitor in a stowed orientation.

1 Claim, 3 Drawing Sheets

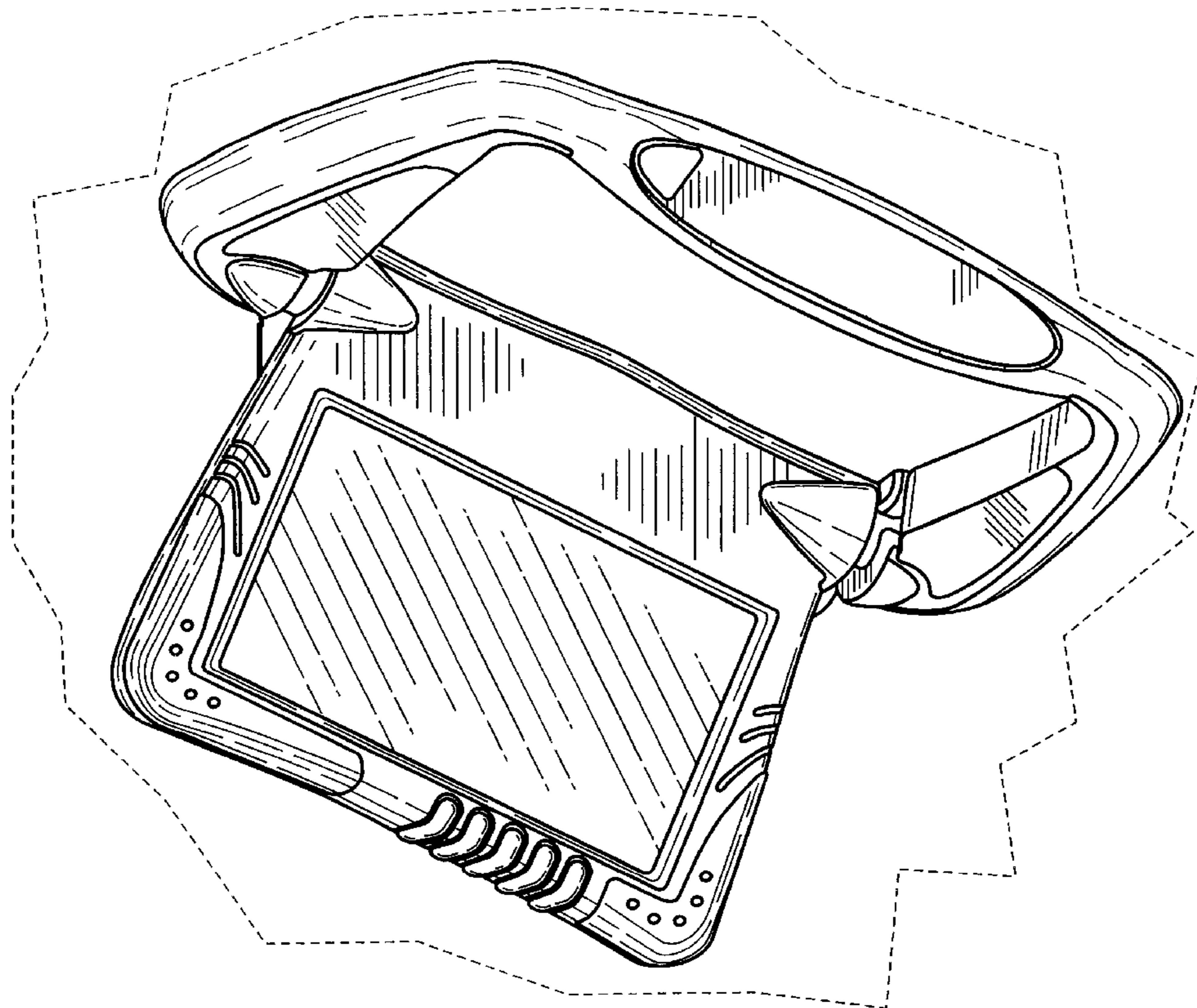


Fig. 1

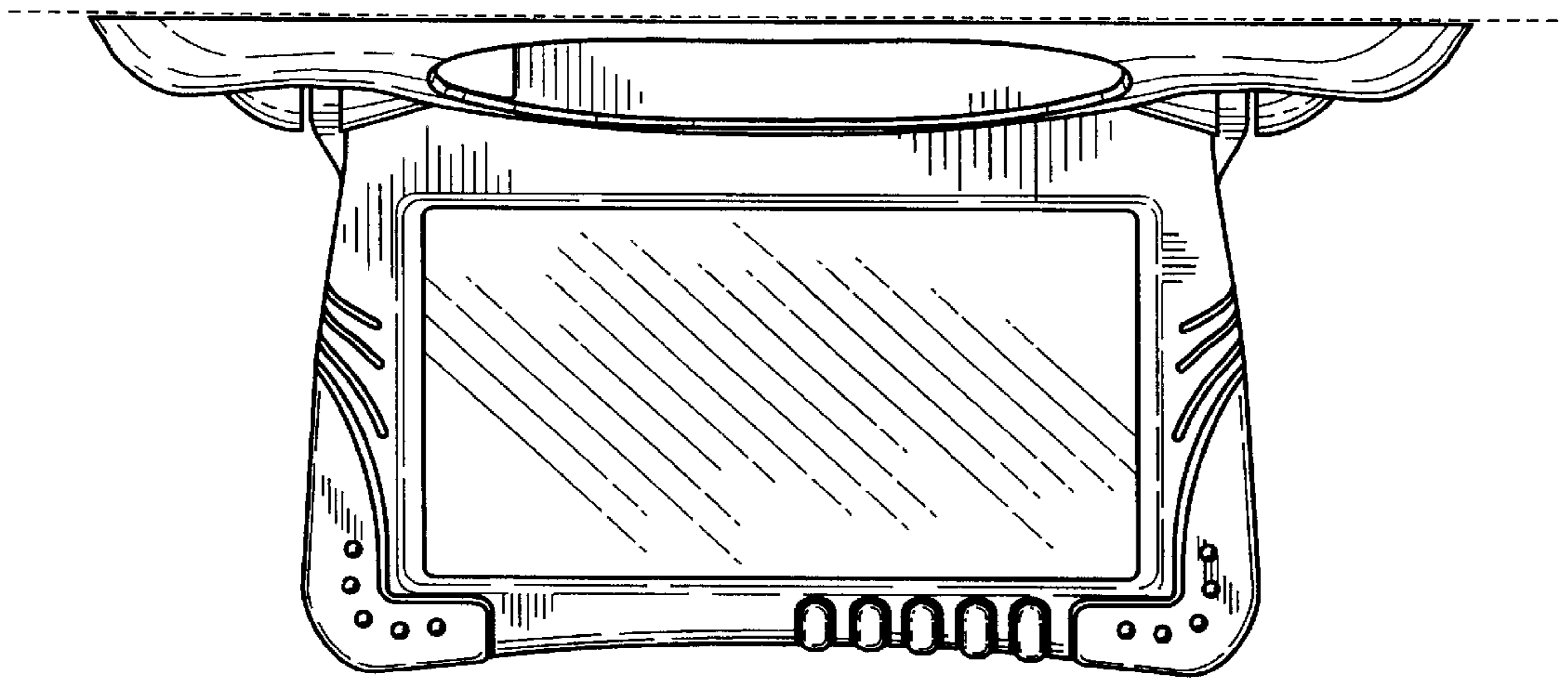


Fig. 2

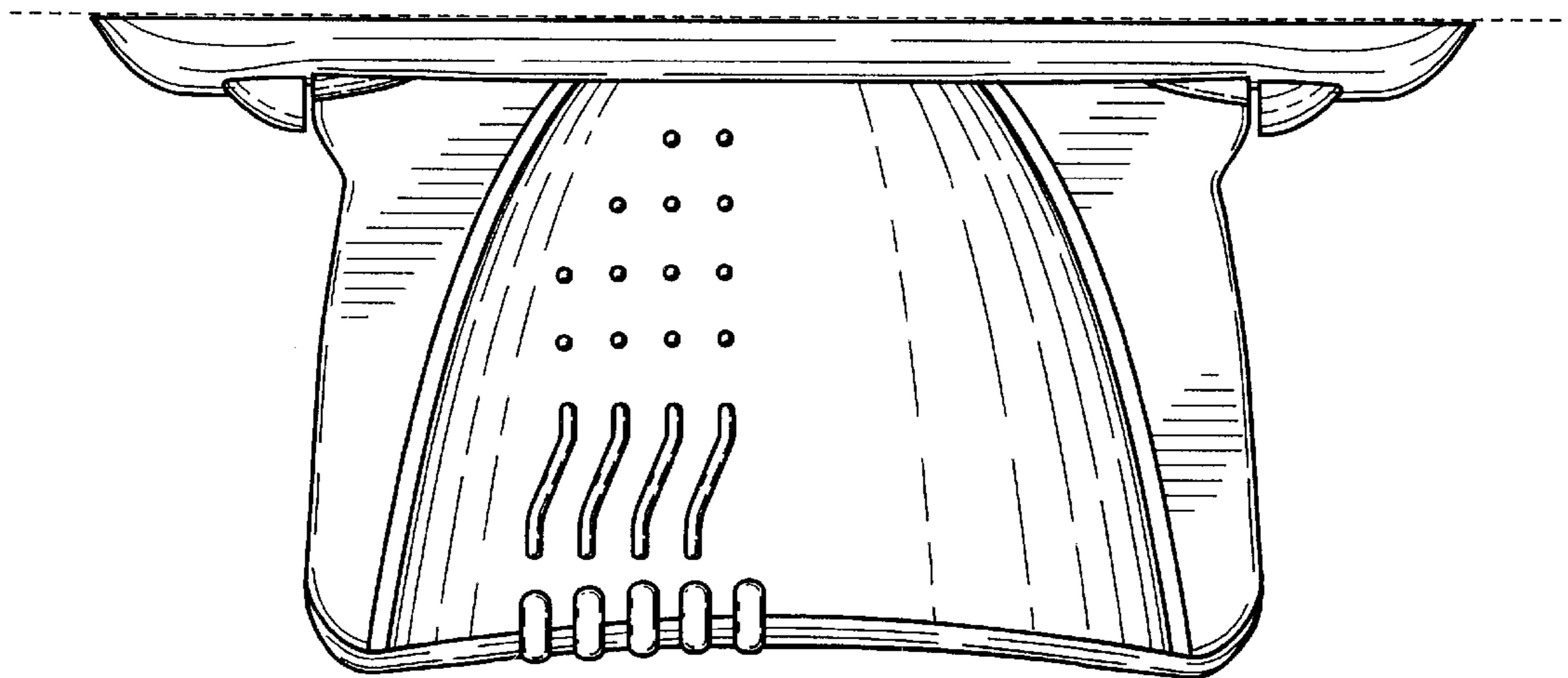


Fig. 3

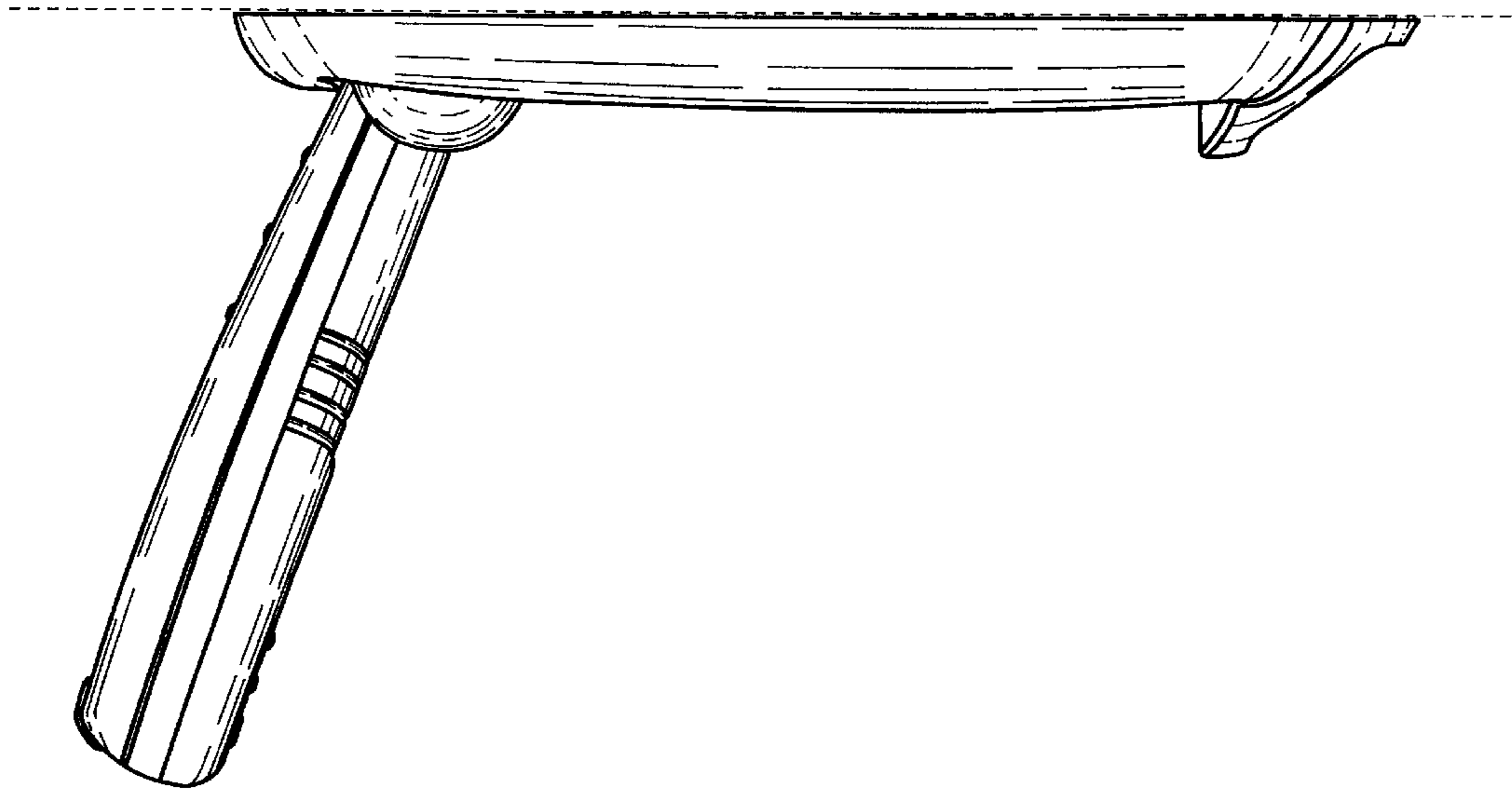


Fig. 4

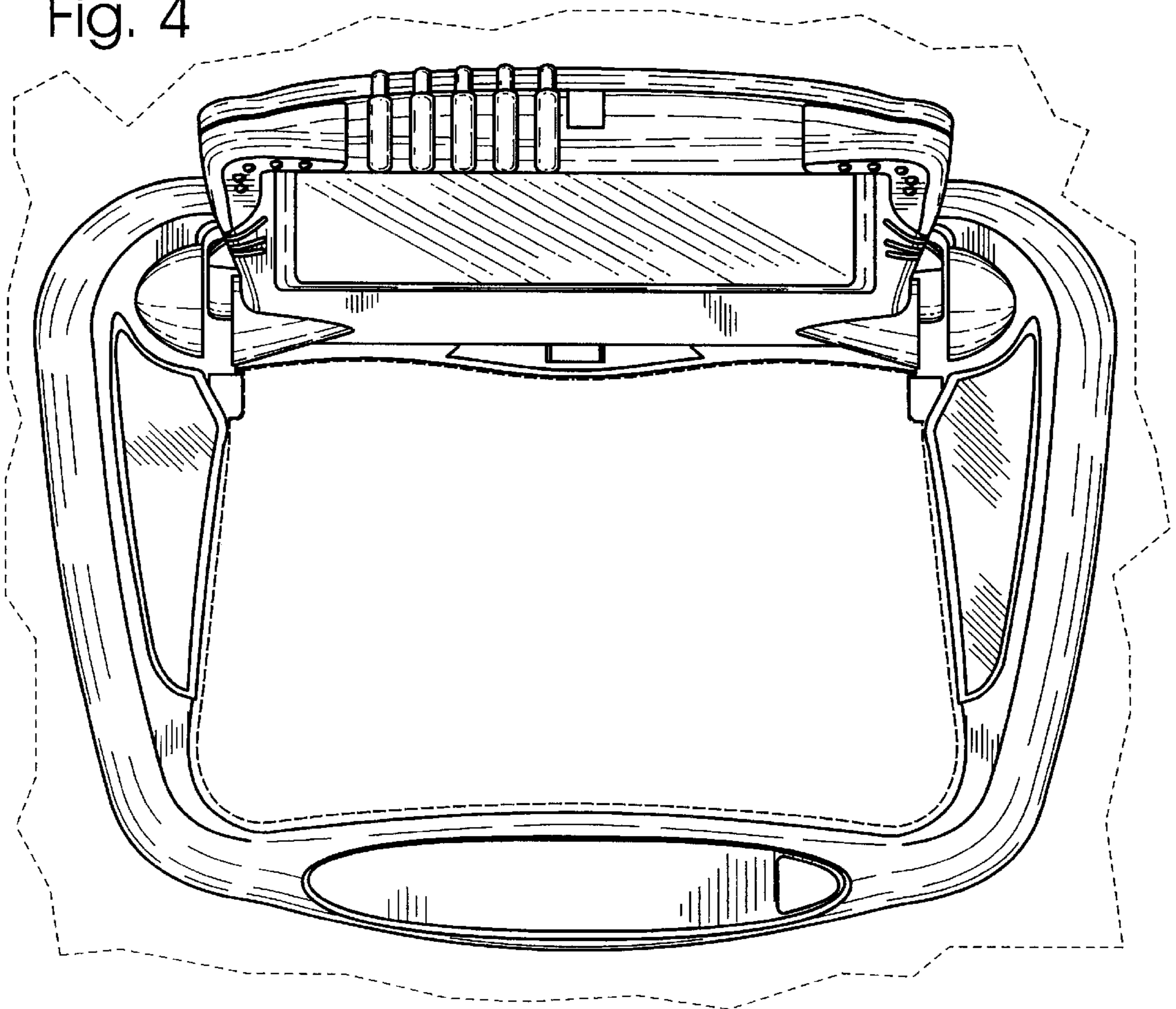


Fig. 5

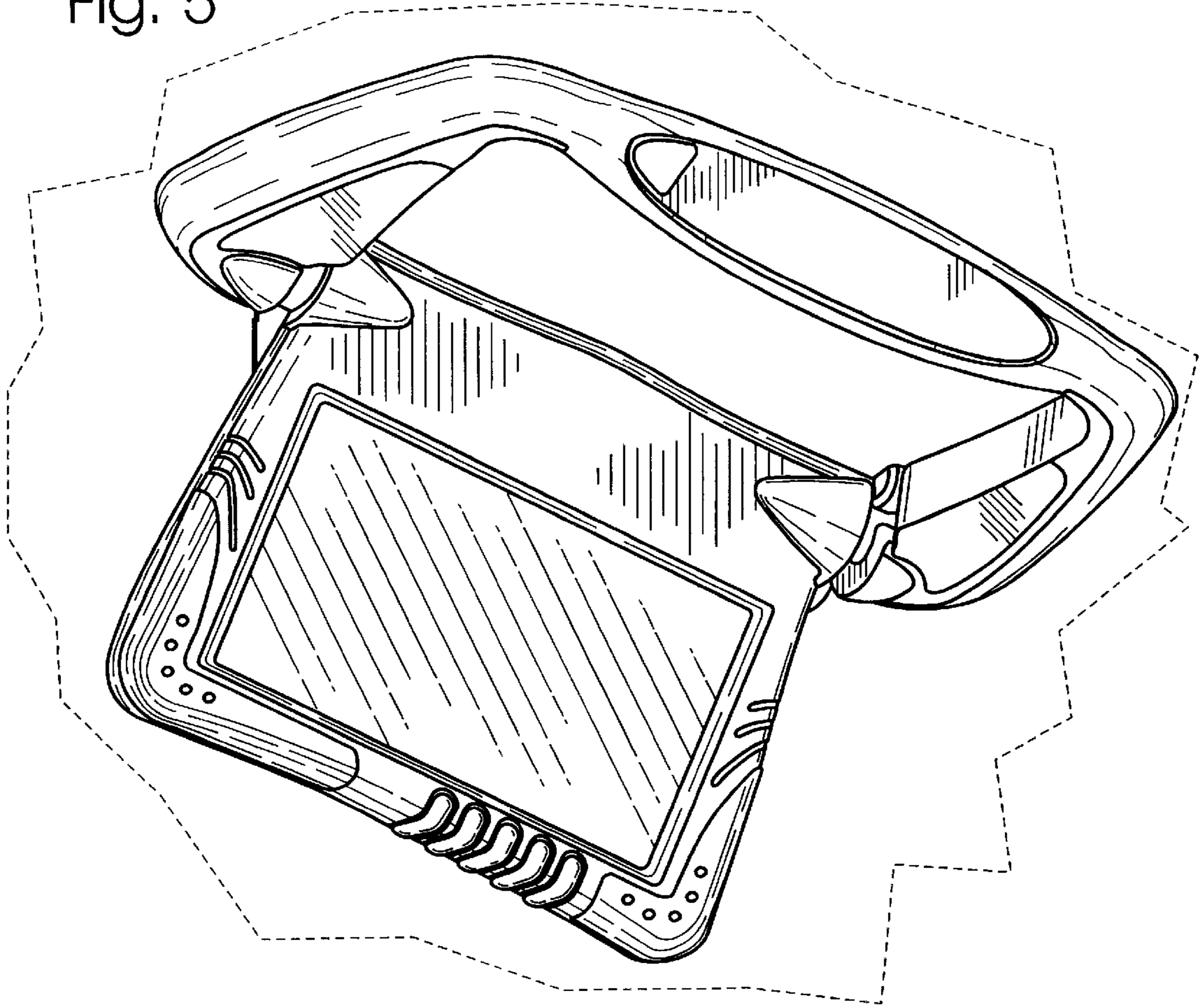


Fig. 6

