



US00D456785S

(12) **United States Design Patent**  
**Yu**

(10) **Patent No.:** **US D456,785 S**

(45) **Date of Patent:** **\*\* May 7, 2002**

(54) **SWITCH**

(76) **Inventor:** **Tsung-Mou Yu**, No. 4, Alley 2, Lane 23, Sec. 3, Pa Te Road, Panchiao, Taipei (TW)

(\*\*) **Term:** **14 Years**

(21) **Appl. No.:** **29/144,753**

(22) **Filed:** **Jul. 10, 2001**

(51) **LOC (7) Cl.** ..... **13-03**

(52) **U.S. Cl.** ..... **D13/169**

(58) **Field of Search** ..... D13/158, 160, D13/169, 171, 173, 174; 200/237, 238, 275, 295, 296, 302.1, 315, 329, 338, 339

(56) **References Cited**

**U.S. PATENT DOCUMENTS**

3,242,295	A	*	3/1966	Miller	.....	200/338
D224,972	S	*	10/1972	Fujimoto	.....	D13/169
3,704,356	A	*	11/1972	Yanaga	.....	200/295
3,706,869	A	*	12/1972	Sorenson	.....	200/295

4,461,938	A	*	7/1984	Sorenson	.....	200/296
4,978,823	A	*	12/1990	Sato et al.	.....	200/437
D323,613	S	*	2/1992	Cummins et al.	.....	D8/353
D440,945	S	*	4/2001	Yu	.....	D13/169
6,274,831	B1	*	8/2001	Kim et al.	.....	200/296

\* cited by examiner

*Primary Examiner*—James Gandy  
*Assistant Examiner*—Selina Sikder

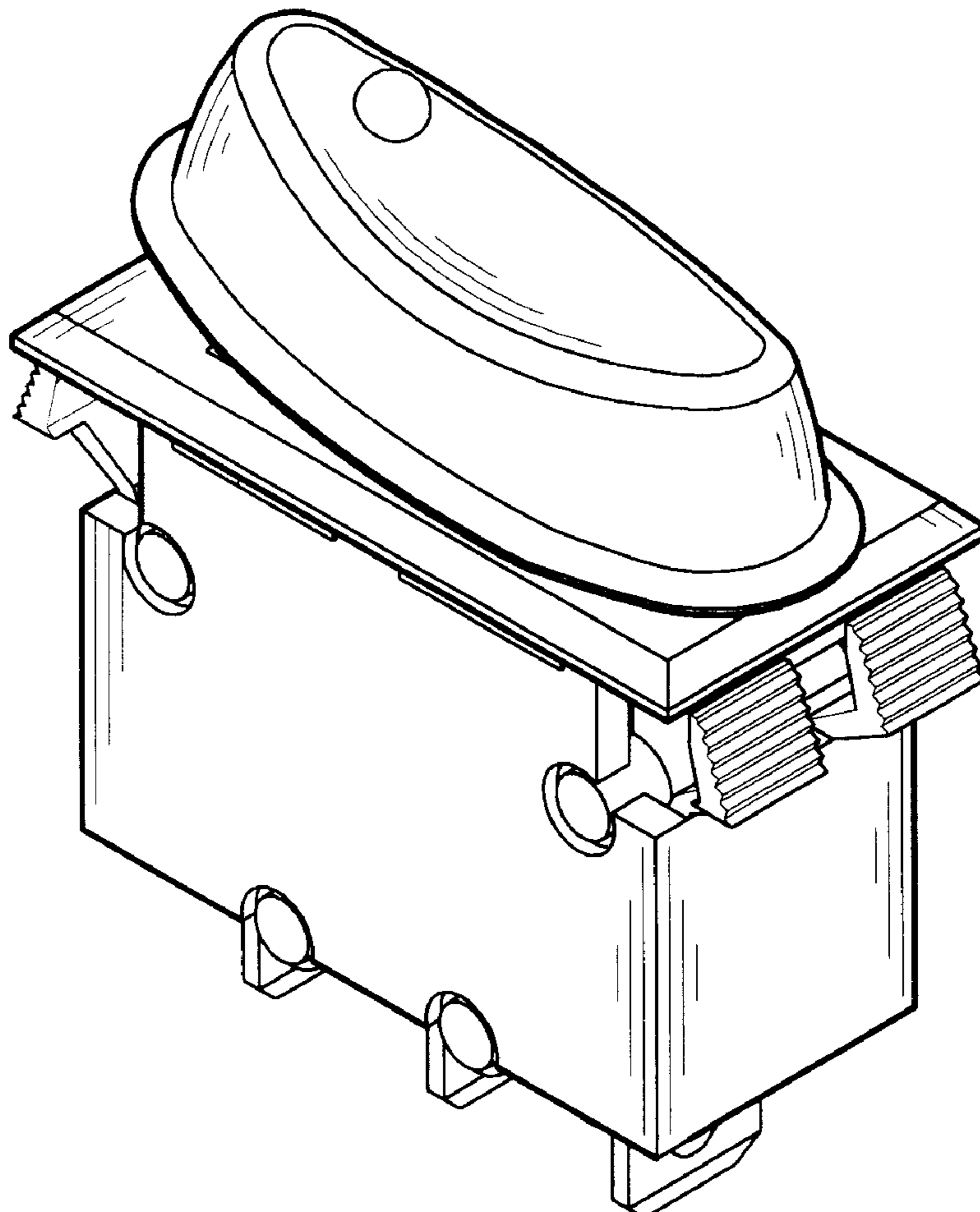
(57) **CLAIM**

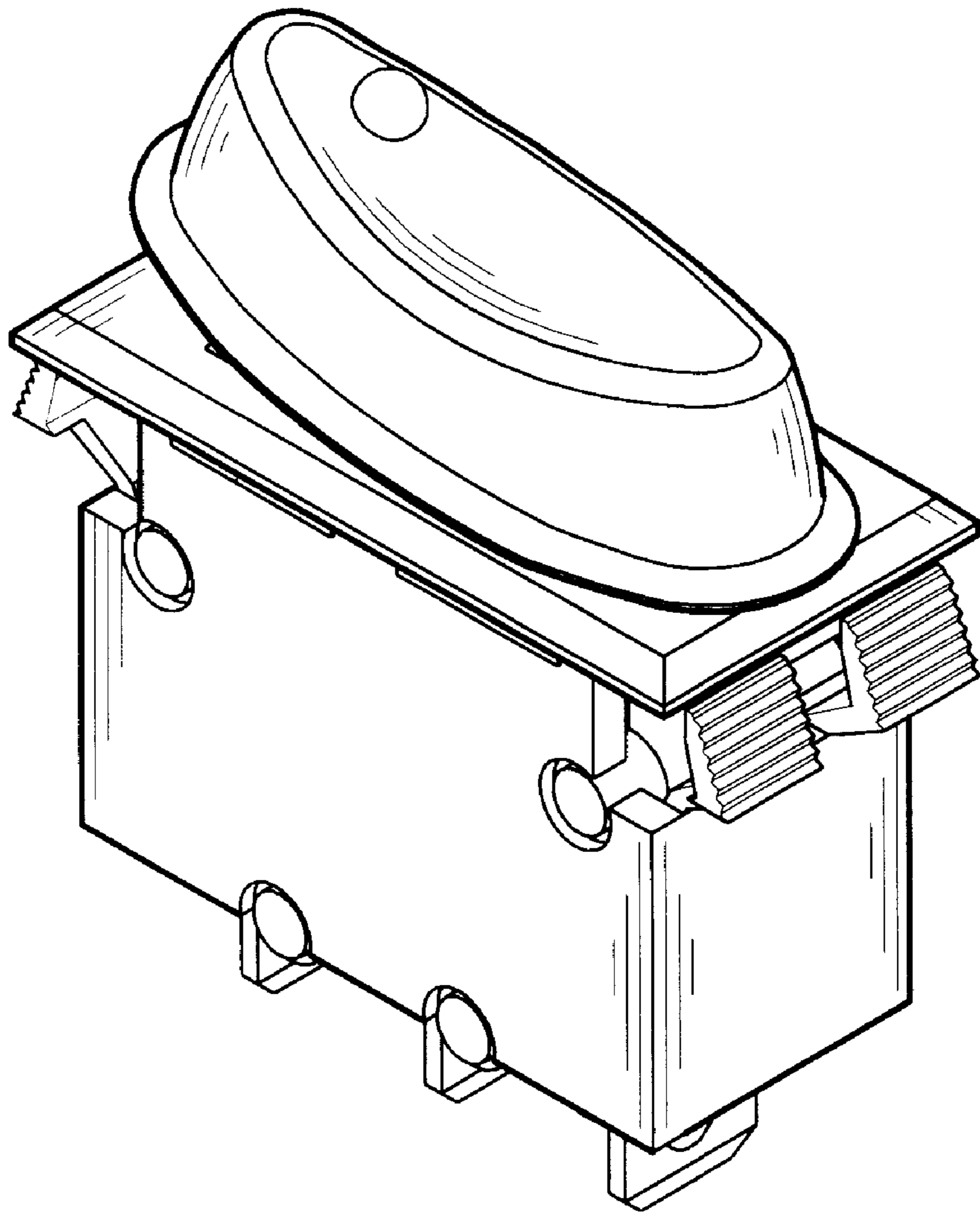
The ornamental design for switch, as shown and described.

**DESCRIPTION**

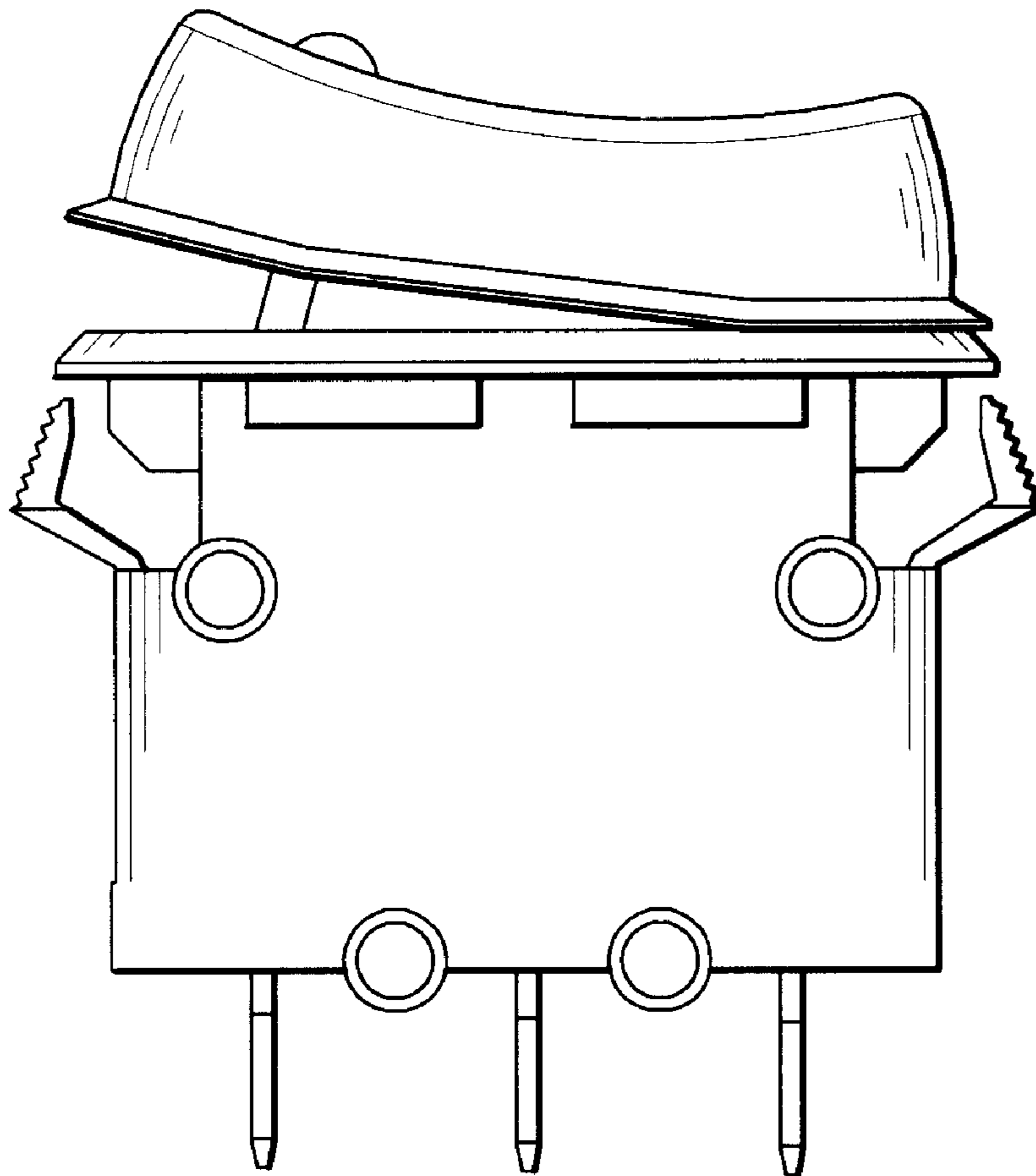
FIG. 1 is a perspective view of switch showing my new design;  
FIG. 2 is a front elevational view thereof;  
FIG. 3 is a rear elevational view thereof;  
FIG. 4 is a left side elevational view thereof;  
FIG. 5 is right side elevational view thereof;  
FIG. 6 is a top view thereof; and,  
FIG. 7 is a bottom view thereof.

**1 Claim, 7 Drawing Sheets**

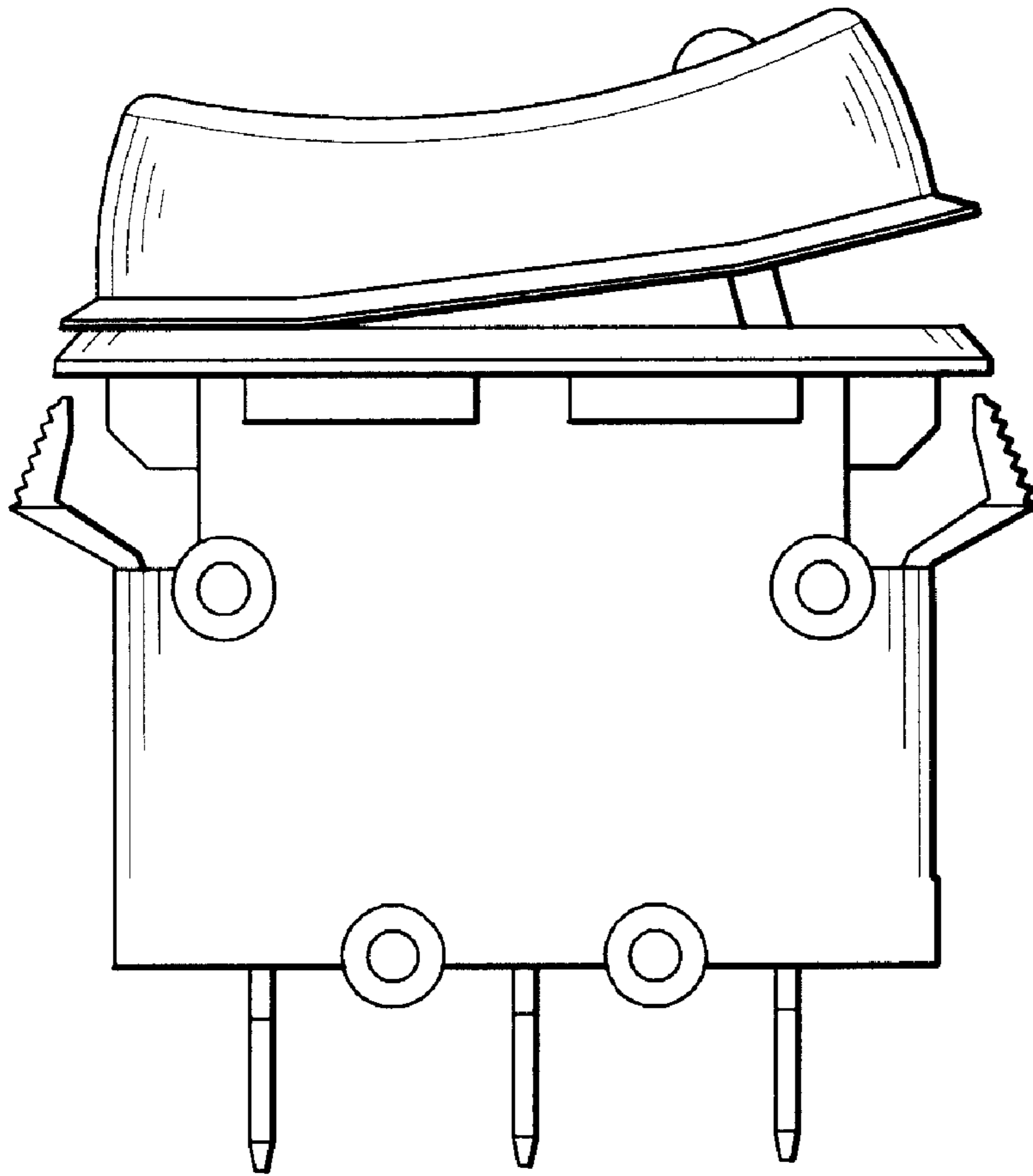




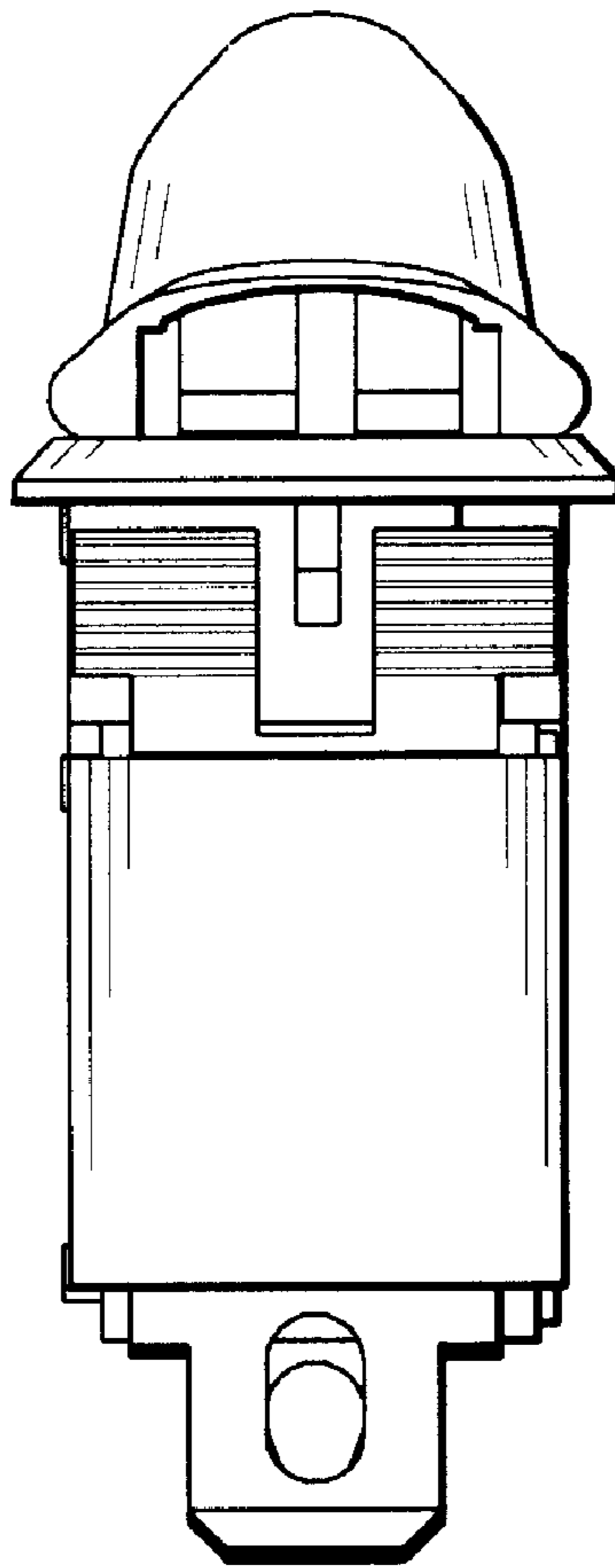
**FIG. 1**



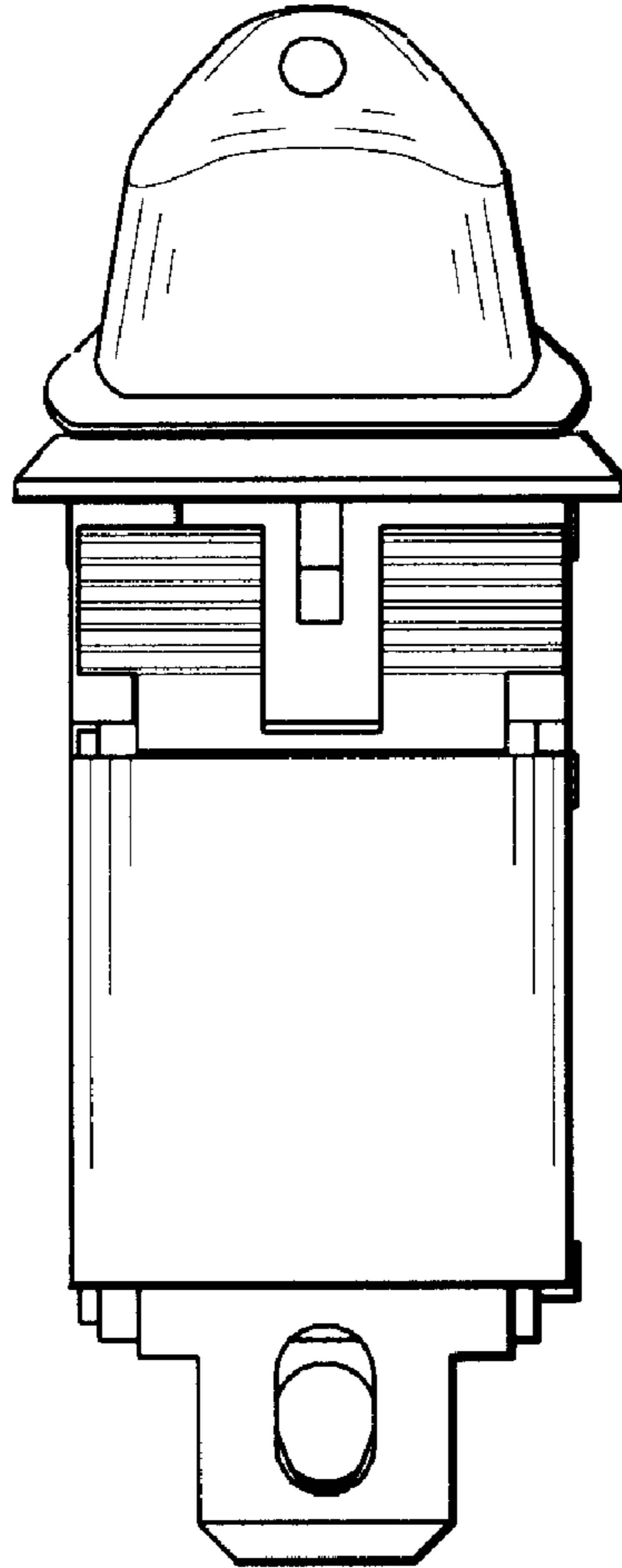
**FIG. 2**



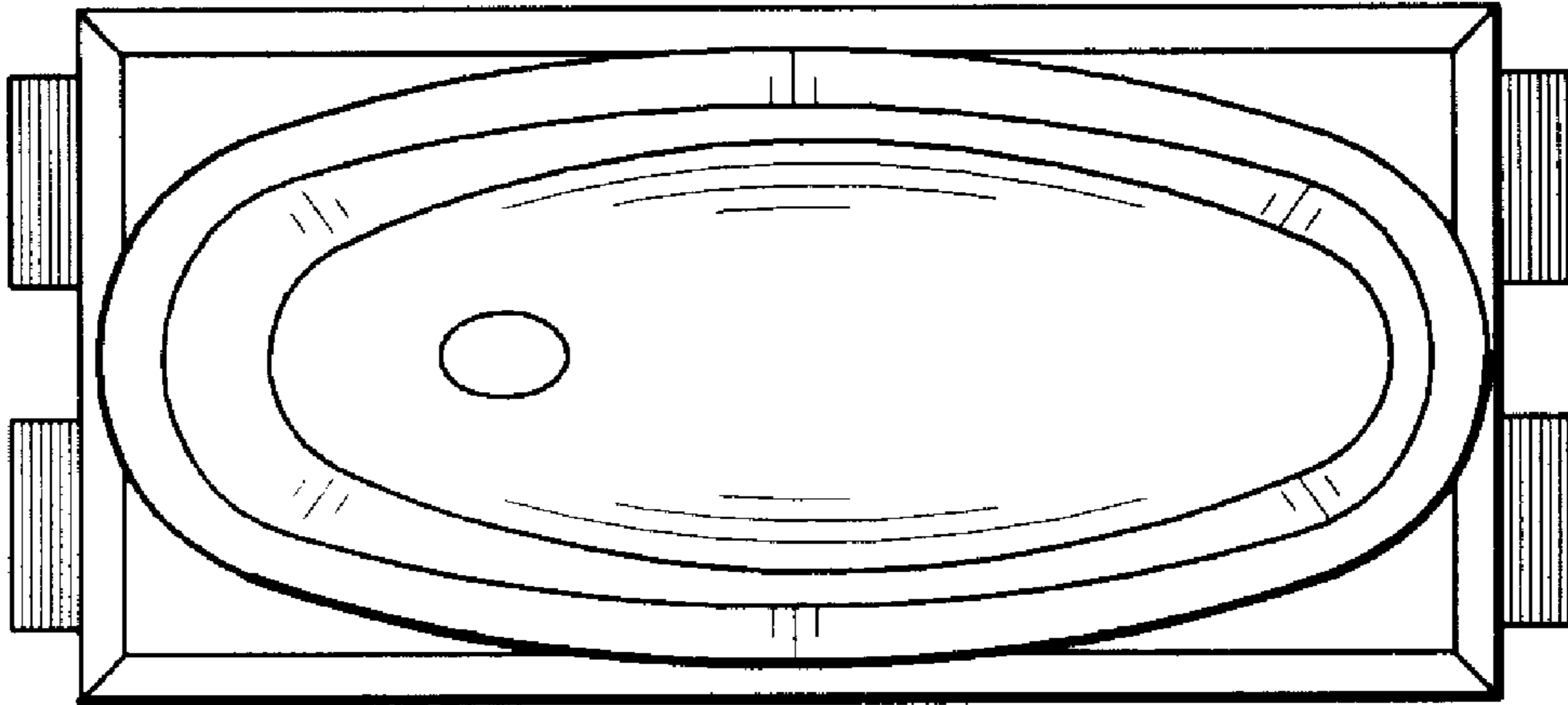
**FIG. 3**



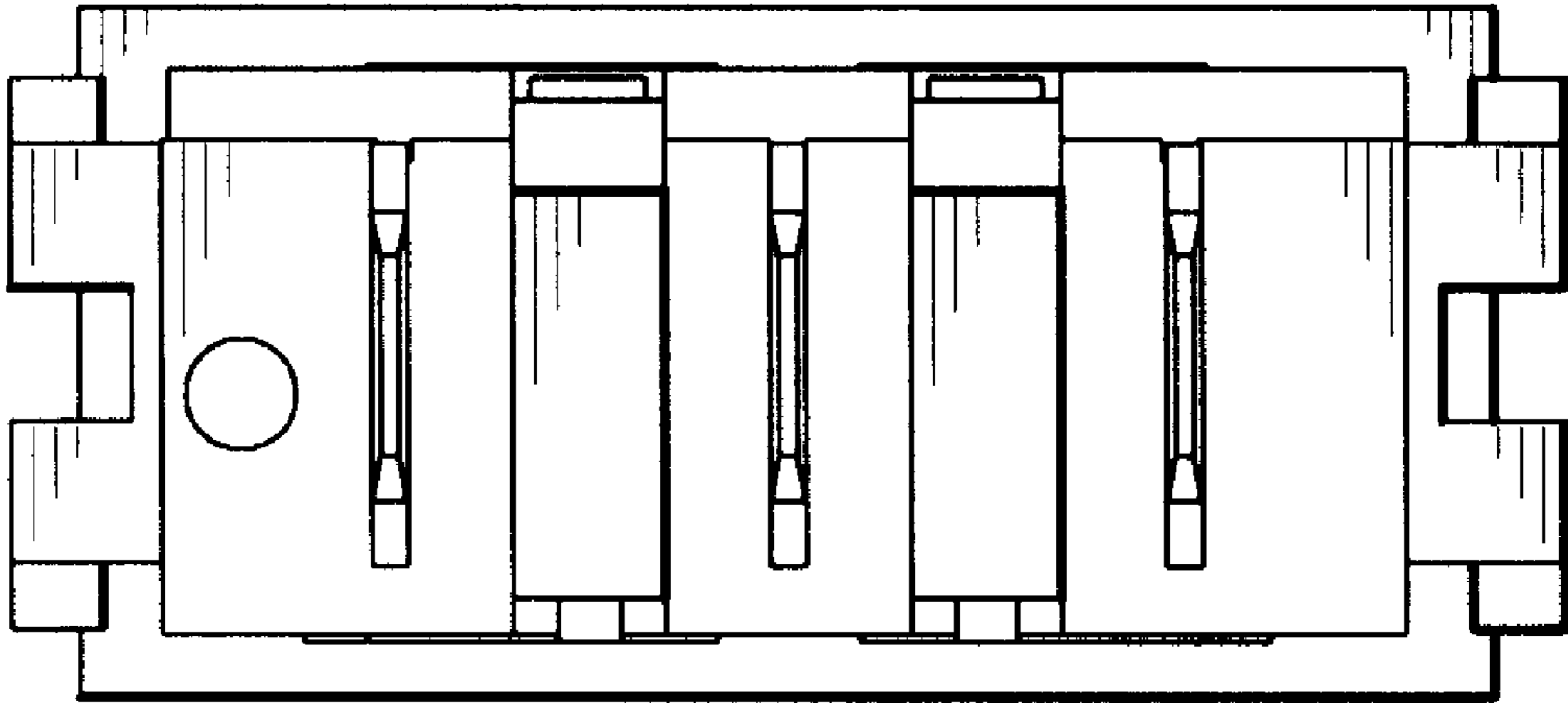
**FIG. 4**



**FIG. 5**



**FIG. 6**



**FIG. 7**