



US00D456784S

(12) **United States Design Patent**
Grimm

(10) **Patent No.:** **US D456,784 S**

(45) **Date of Patent:** **** May 7, 2002**

(54) **SUPPLY UNIT**

(75) Inventor: **Manfred Grimm**, Arnsberg (DE)

(73) Assignee: **Trilux-Lenze GmbH & Co. KG.**,
Arnsberg (DE)

(**) Term: **14 Years**

(21) Appl. No.: **29/120,541**

(22) Filed: **Mar. 21, 2000**

(30) **Foreign Application Priority Data**

Sep. 21, 1999 (DE) 499 08 765

(51) **LOC (7) Cl.** **13-03**

(52) **U.S. Cl.** **D13/164; D24/185**

(58) **Field of Search** D13/162-164,
D13/184; D6/505; D24/184, 185; 174/48;
362/147, 217, 221, 225, 801, 804

(56) **References Cited**

U.S. PATENT DOCUMENTS

3,200,244	A	*	8/1965	Meyer	362/225
3,567,842	A	*	3/1971	Meyer	174/48
3,692,920	A	*	9/1972	Santarelli	174/48
D239,570	S	*	4/1976	Hall	D24/185
4,646,211	A	*	2/1987	Gallant et al.	362/149
4,905,433	A	*	3/1990	Miller	174/48
6,019,481	A	*	2/2000	Ambach et al.	362/147
6,145,253	A	*	11/2000	Gallant et al.	52/36.1

OTHER PUBLICATIONS

Photocopy of TRILUX hospitaltechnik catalog, BS 200—
Krankenzimmer-Installationseinheit mit variabler Beleuch-
tungseinheit; 97/15 068503; 4 pages, TRILUX-LENZW
GmbH+Co KG.

* cited by examiner

Primary Examiner—Cathron C. Brooks

(74) *Attorney, Agent, or Firm*—Akin, Gump, Strauss,
Hauer & Feld, L.L.P.

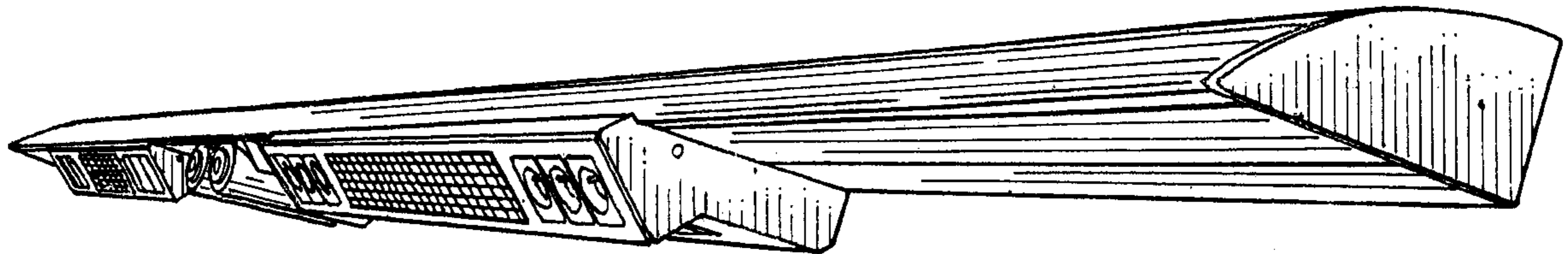
(57) **CLAIM**

The ornamental design for a supply unit, as shown and
described.

DESCRIPTION

FIG. 1 is a perspective view of a supply unit in accordance
with a first embodiment of my new design;
FIGS. 2a and 2b are a bottom plan view in two separate parts
of the supply unit;
FIGS. 3a and 3b are a rear elevational view view in two
separate parts of the supply unit;
FIG. 4 is a right side elevational view, the left side eleva-
tional view being a mirror image thereof;
FIGS. 5a and 5b are a front elevational view in two separate
parts of the supply unit; and,
FIGS. 6a and 6b are a top plan view in two separate parts of
the supply unit.

1 Claim, 10 Drawing Sheets



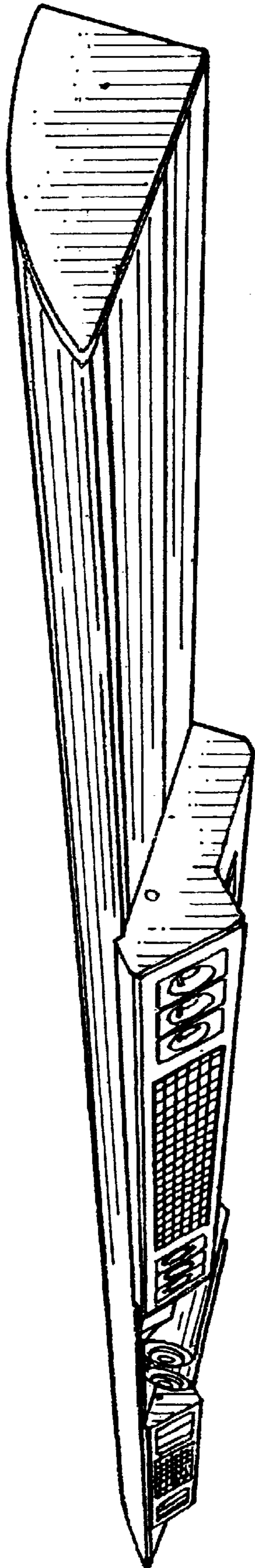


Fig. 1

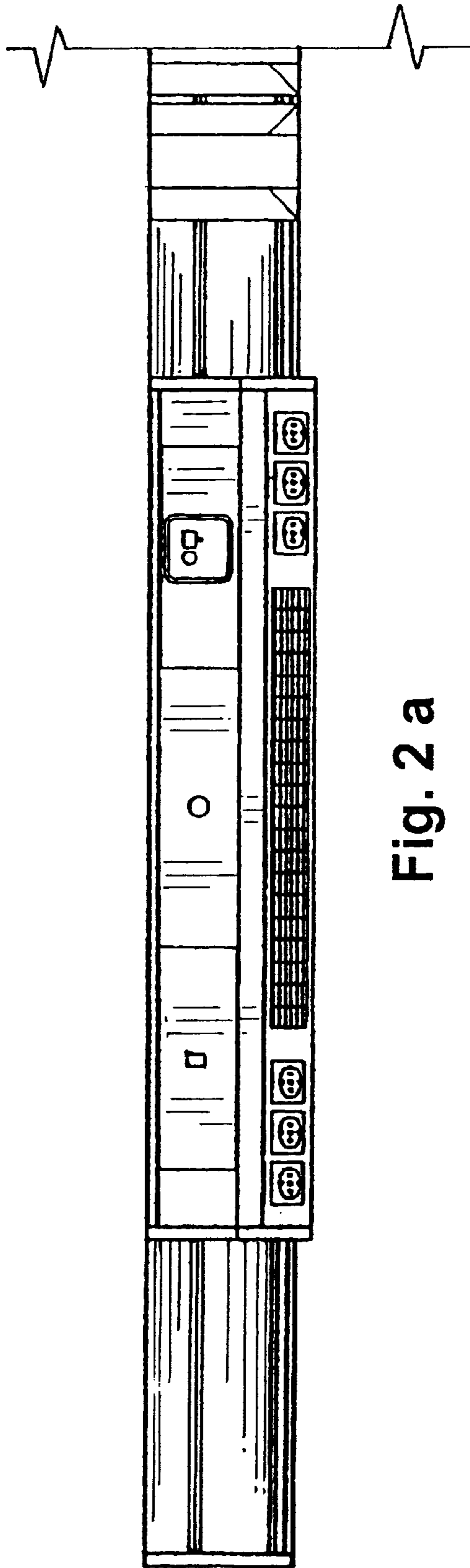


Fig. 2 a

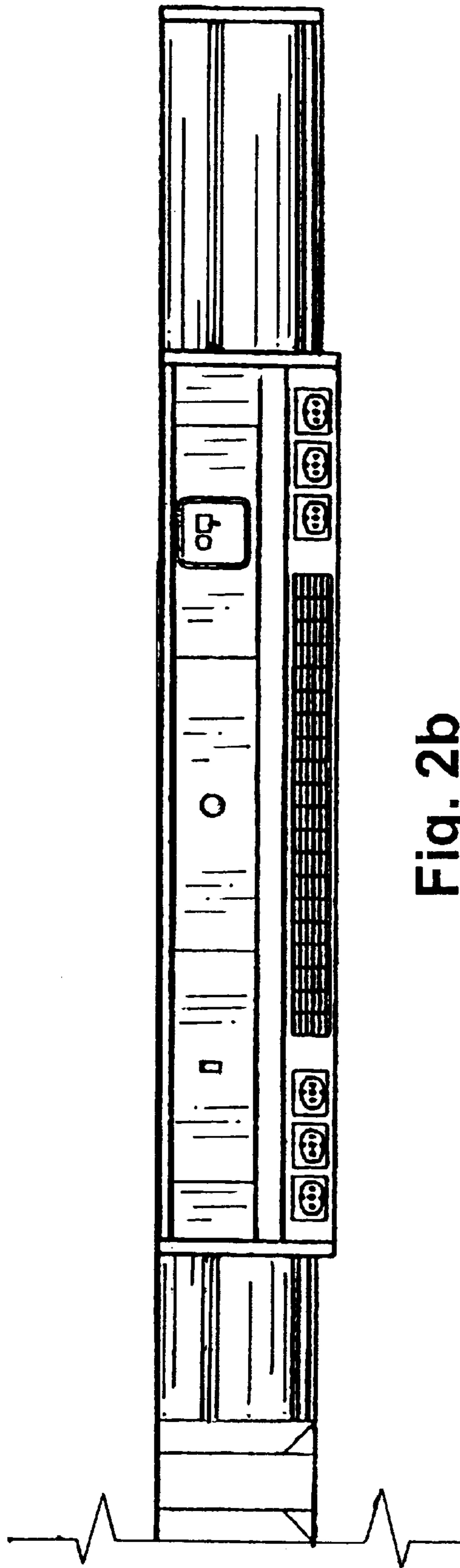


Fig. 2b

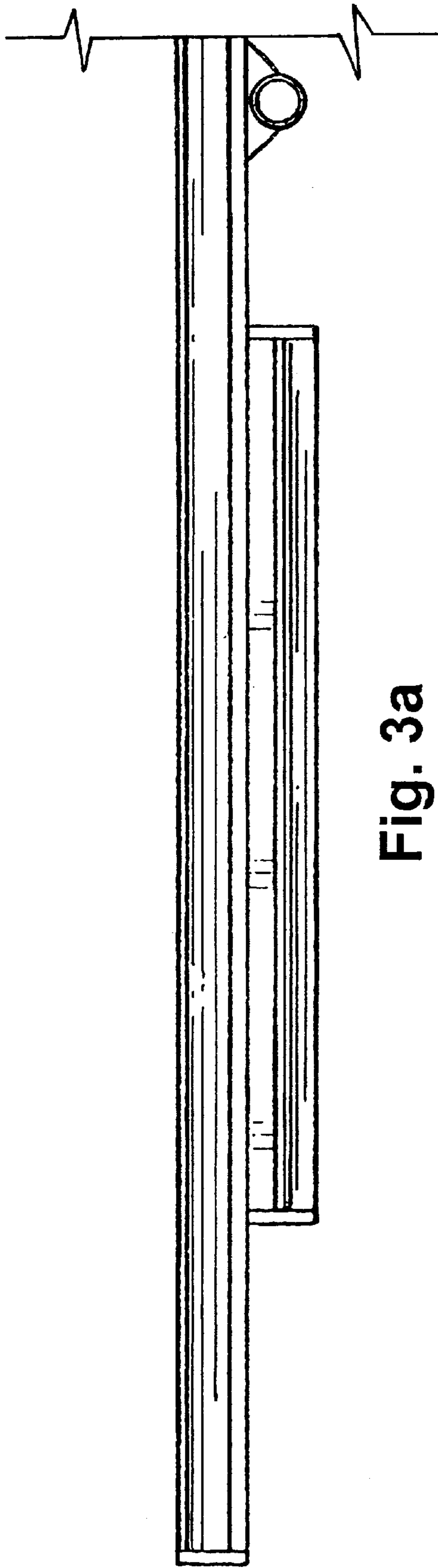


Fig. 3a

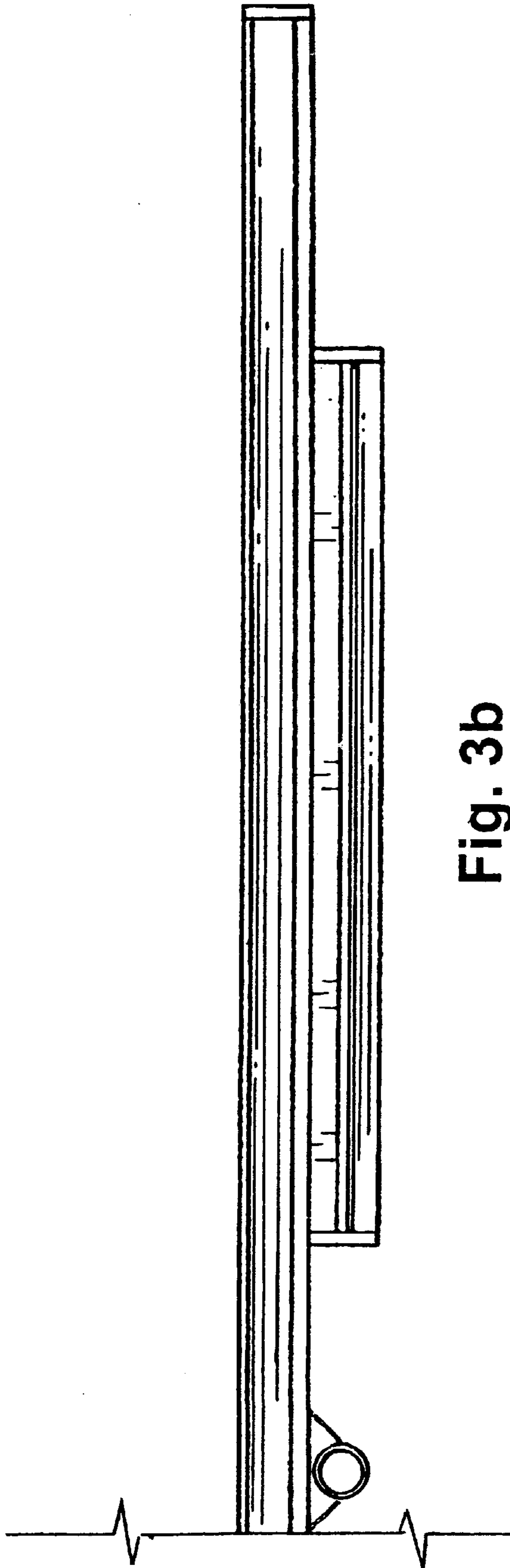


Fig. 3b

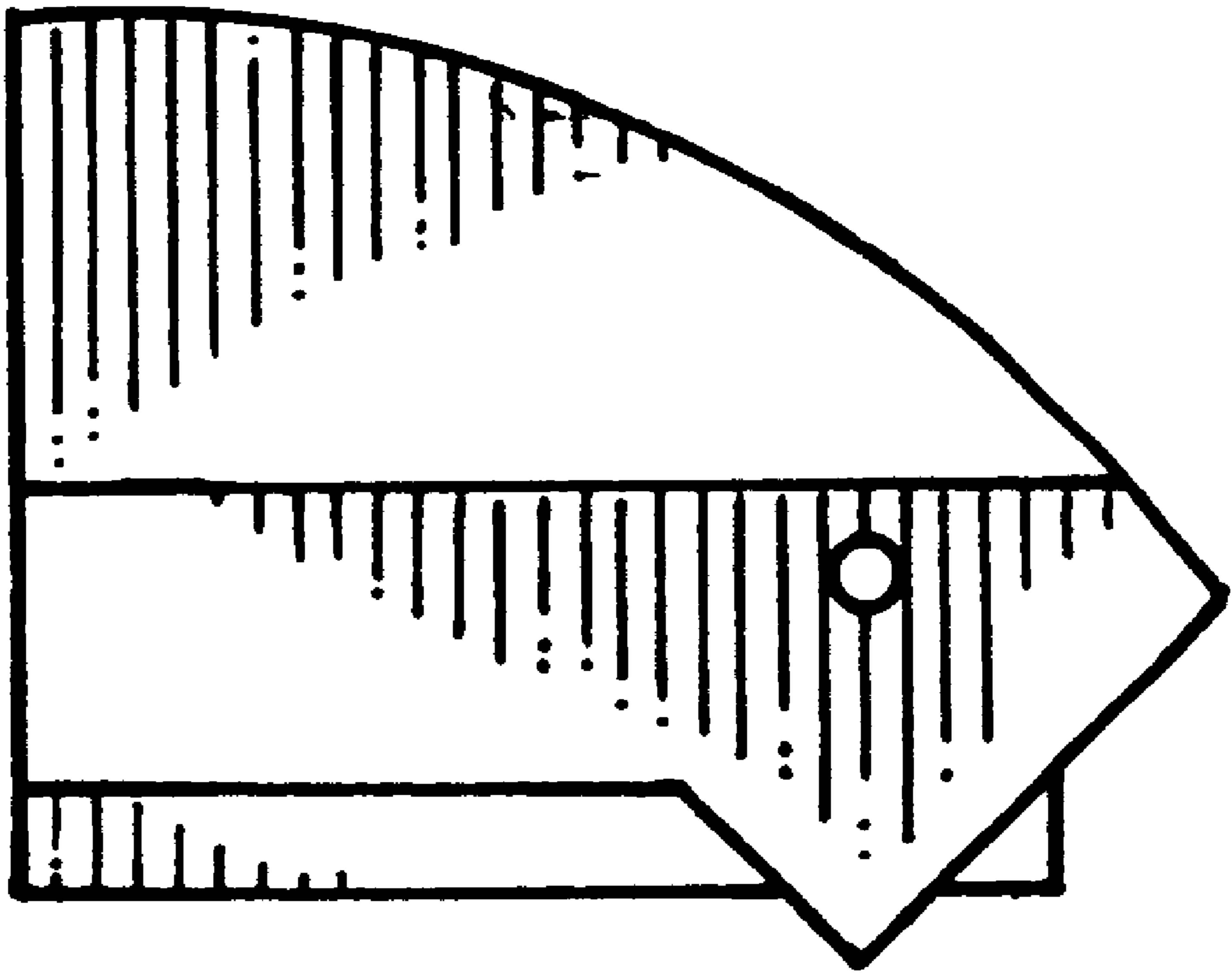


Fig. 4

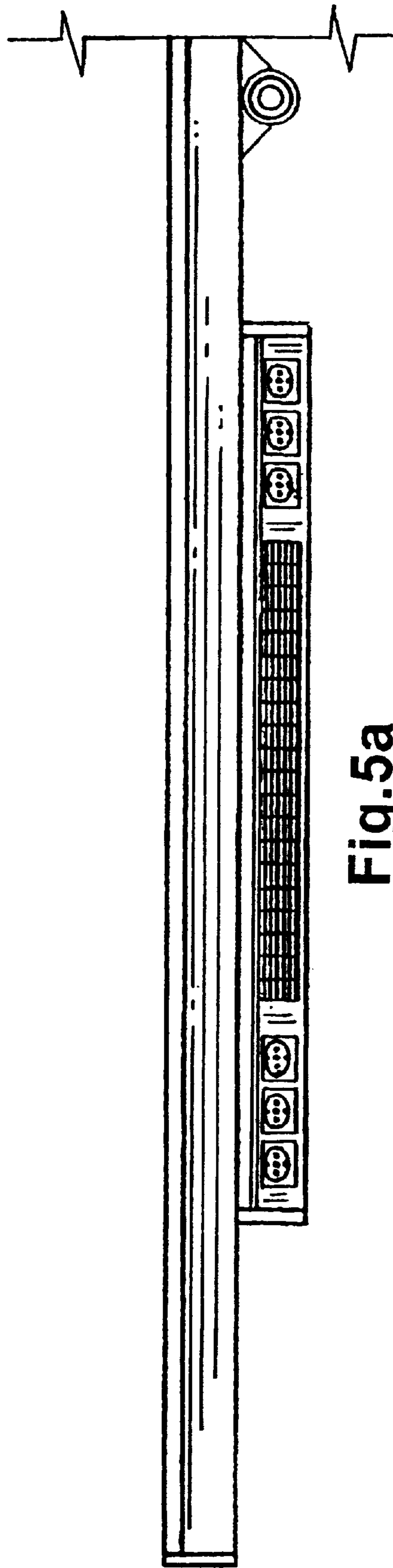


Fig. 5a

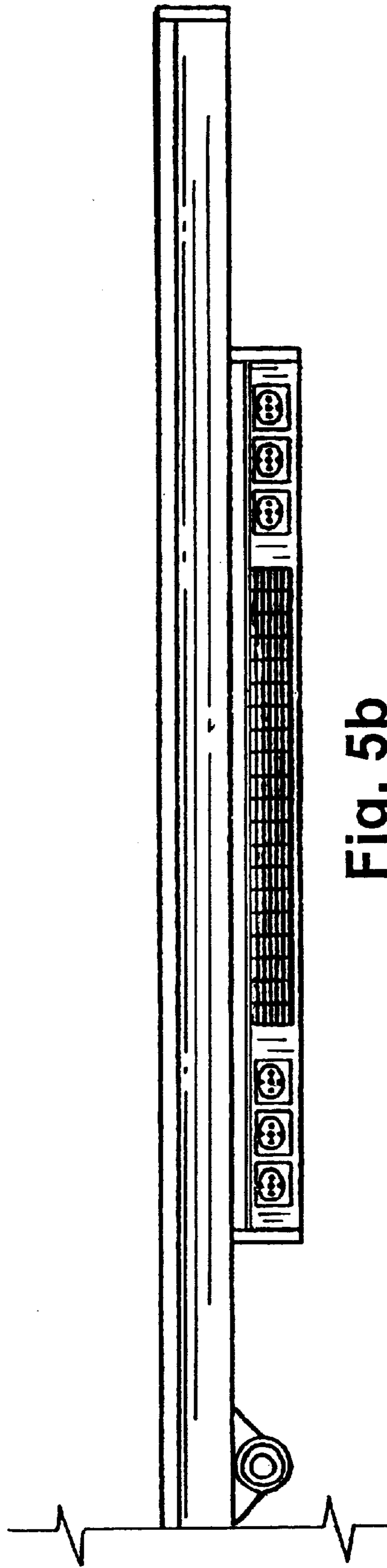


Fig. 5b

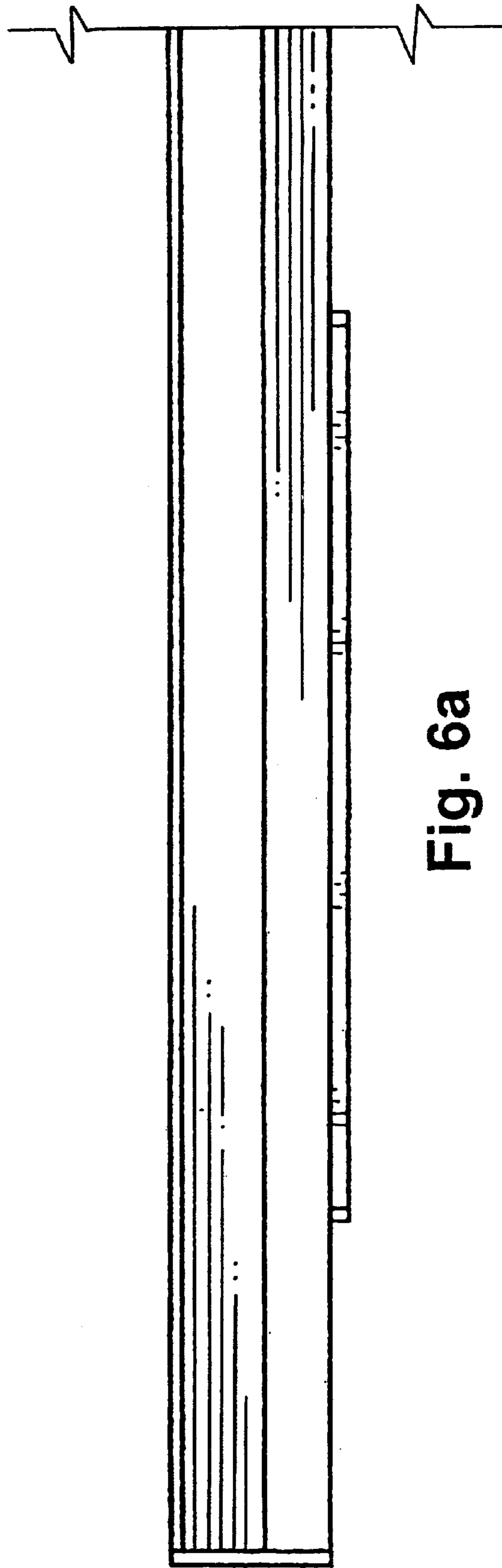


Fig. 6a

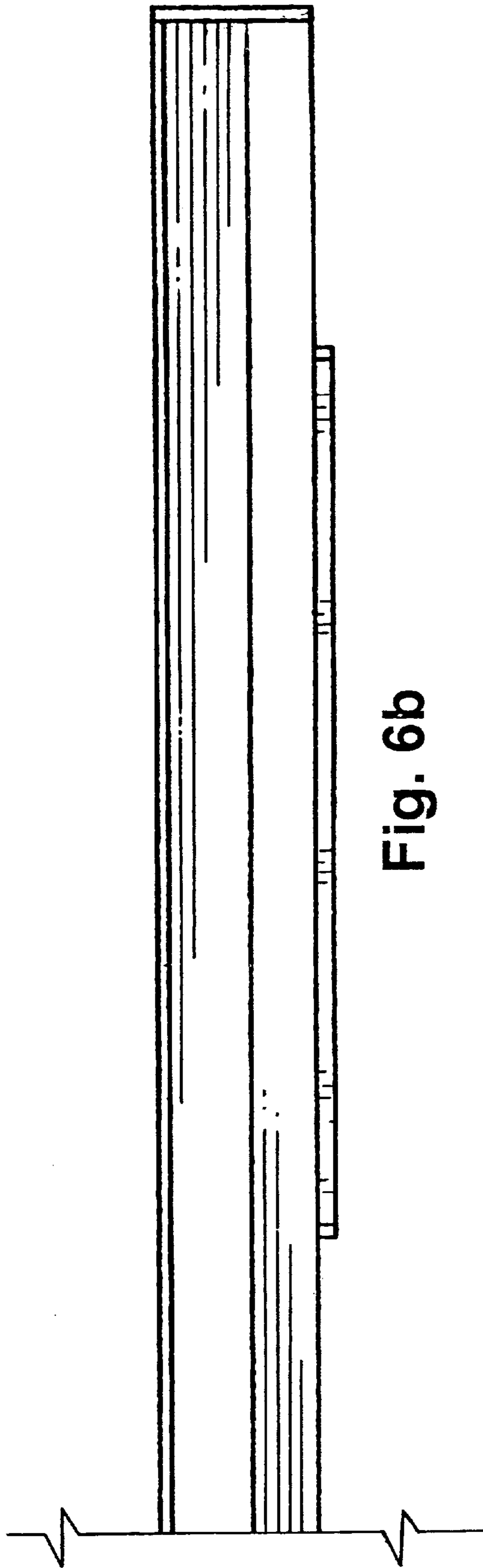


Fig. 6b