



US00D456777S

(12) **United States Design Patent**
Igarashi

(10) **Patent No.:** **US D456,777 S**

(45) **Date of Patent:** **** May 7, 2002**

(54) **ELECTRICAL CONNECTOR**
(75) Inventor: **Isao Igarashi, Akishima (JP)**
(73) Assignee: **Japan Aviation Electronics Industry Limited, Tokyo (JP)**
(**) Term: **14 Years**

JP	11283710	*	10/1999	H01R/13/648
JP	2000182697	*	6/2000	H01R/12/28
JP	2000200641	*	7/2000	H01R/12/28
JP	2000231971	*	8/2000	H01R/31/06
JP	2000323206	*	11/2000	H01R/12/28
JP	2000340283	*	12/2000	H01R/12/28
JP	2001052787	*	2/2001	H01R/12/28
JP	2001057274	*	2/2001	H01R/13/648

* cited by examiner

(21) Appl. No.: **29/123,120**
(22) Filed: **May 11, 2000**
(30) **Foreign Application Priority Data**
Nov. 12, 1999 (JP) 11-31360
(51) **LOC (7) Cl.** **13-03**
(52) **U.S. Cl.** **D13/147**
(58) **Field of Search** D13/147; 439/260,
439/492-499

Primary Examiner—Joel Sincavage
(74) *Attorney, Agent, or Firm*—Michael Best & Friedrich LLC; J. Warren Whitesel

(57) **CLAIM**

The ornamental design for an electrical connector, as shown and described.

DESCRIPTION

FIG. 1 is a front, top, and right side perspective view of an electrical connector;
FIG. 2 is a top plan view thereof;
FIG. 3 is a front elevation view thereof;
FIG. 4 is a right side elevation view thereof;
FIG. 5 is a bottom plan view thereof;
FIG. 6 is a rear elevation view thereof; and,
FIG. 7 is a sectional view taken along a line 7—7 of FIG. 3. A left side view of the electrical connector is omitted because it is presented symmetrical to the right side view of FIG. 4.

(56) **References Cited**

U.S. PATENT DOCUMENTS

3,960,436	A	*	6/1976	Zebisch	439/660
D371,542	S	*	7/1996	Takayasu	D13/147
D408,788	S	*	4/1999	Homma	D13/147
5,906,504	A	*	5/1999	Igarashi et al.	439/495
6,066,000	A	*	5/2000	Masumoto et al.	439/607
6,099,346	A	*	8/2000	Hashiguchi et al.	439/495
6,146,171	A	*	11/2000	Kunishi et al.	439/260
6,231,378	B1	*	5/2001	Wu et al.	439/495
D444,130	S	*	6/2001	Hayashi et al.	D13/147

FOREIGN PATENT DOCUMENTS

JP	10284201	*	10/1998	H01R/31/06
----	----------	---	---------	-------	------------

1 Claim, 3 Drawing Sheets

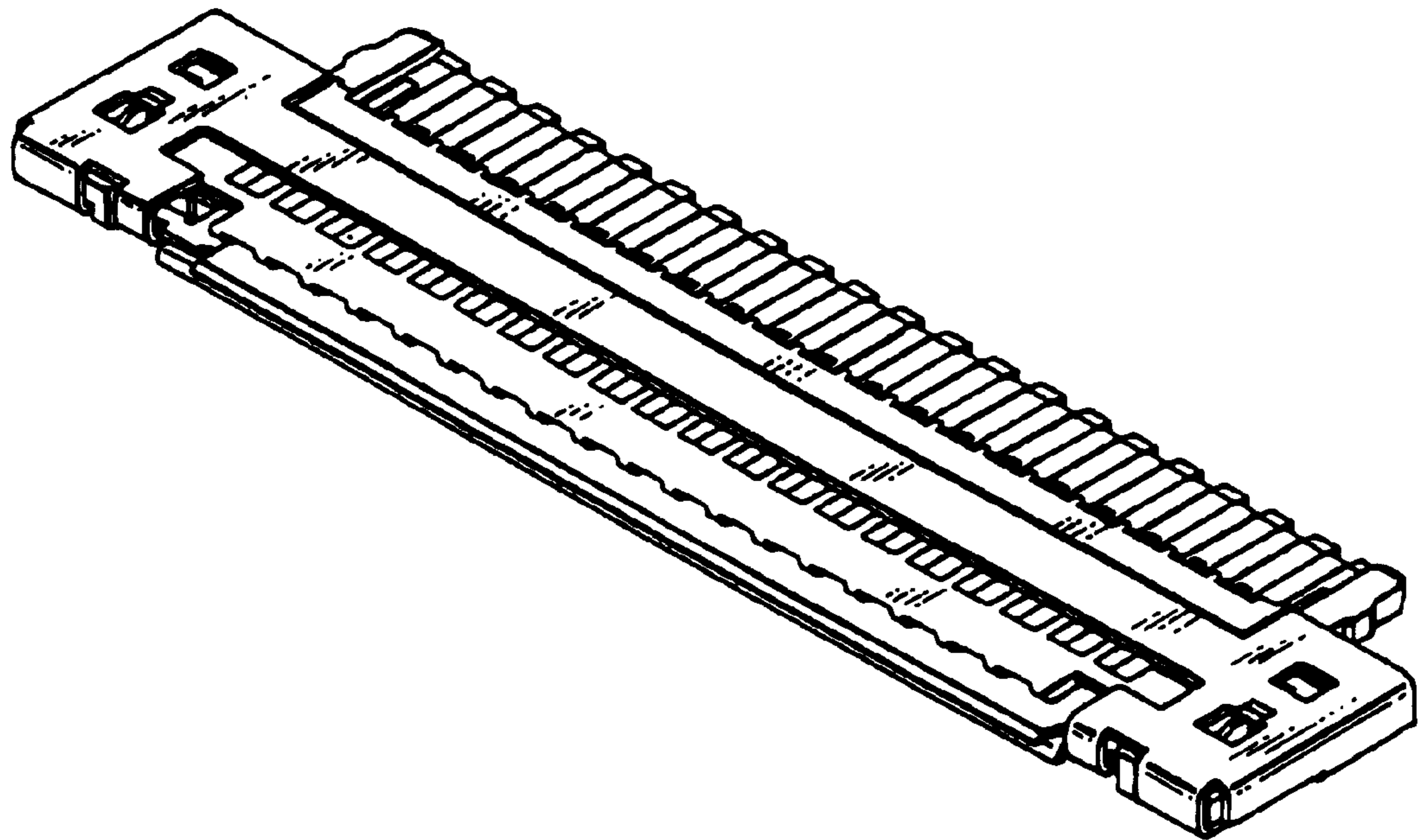


FIG. 1

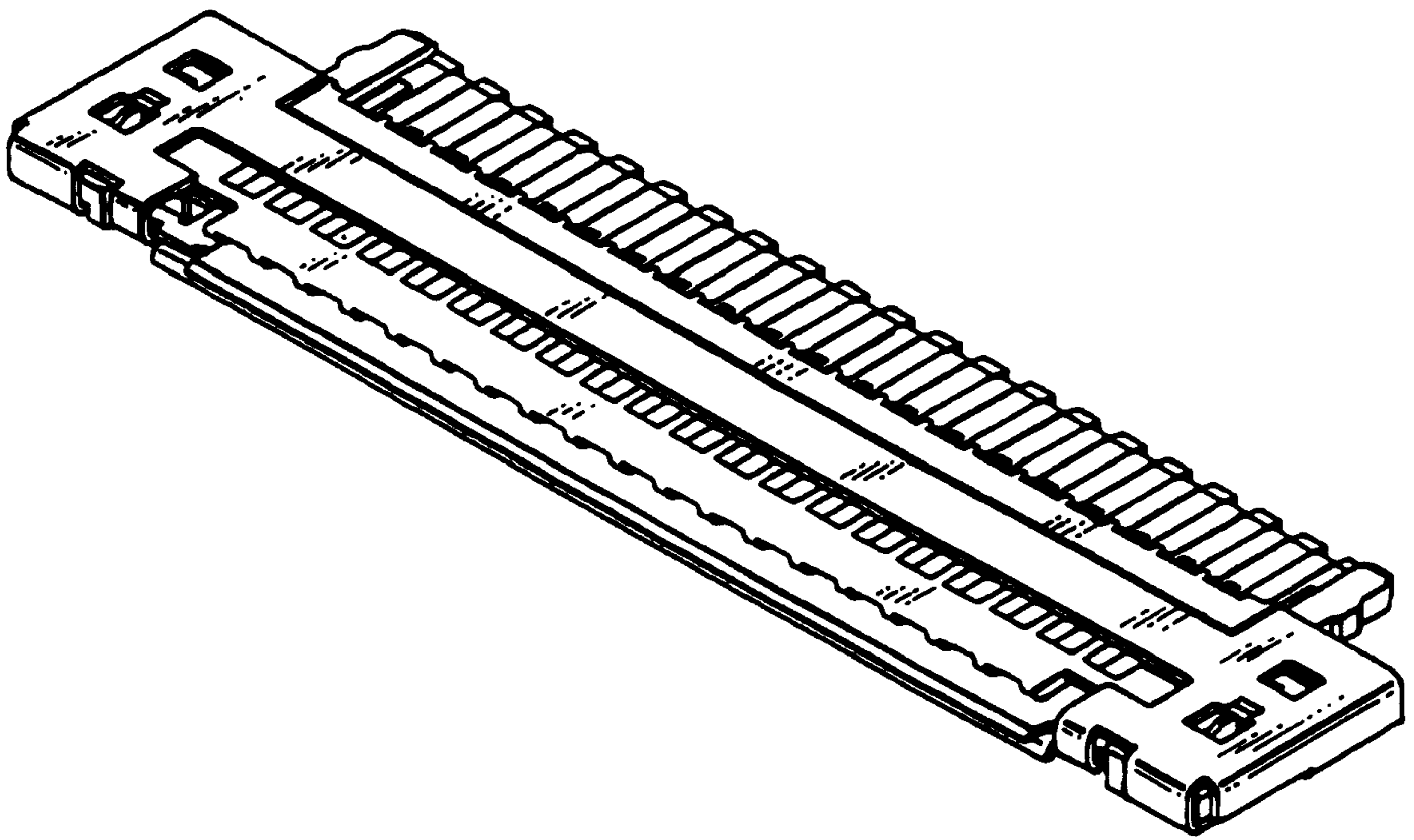


FIG. 2

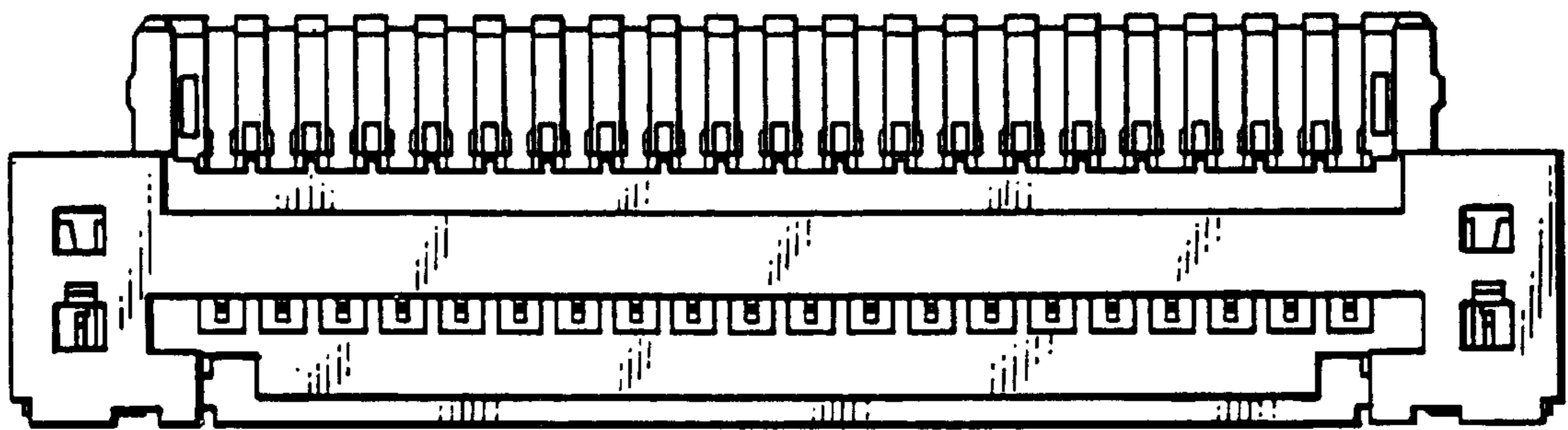


FIG. 3

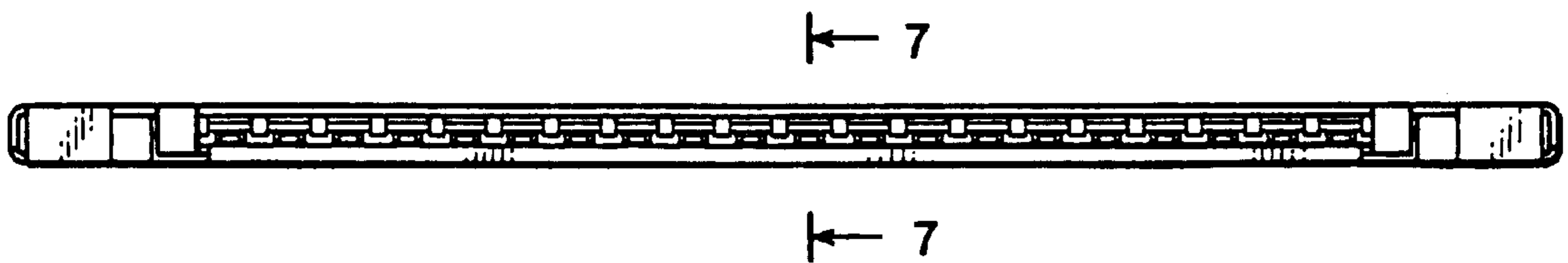


FIG. 4



FIG. 5

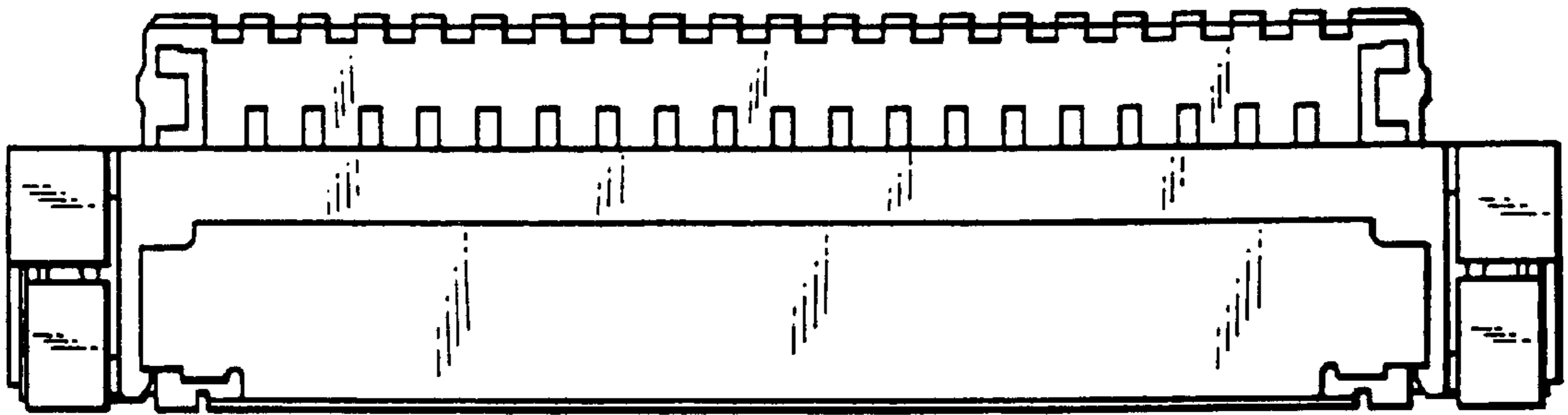


FIG. 6



FIG. 7

