



US00D456776S

(12) **United States Design Patent**
Lindekugel

(10) **Patent No.:** **US D456,776 S**

(45) **Date of Patent:** **** May 7, 2002**

(54) **SNAP SENSOR CONNECTOR**

(75) **Inventor:** **Eric Lindekugel**, Fort Collins, CO (US)

(73) **Assignee:** **Datex - Ohmeda, Inc.**, Madison, WI (US)

(**) **Term:** **14 Years**

(21) **Appl. No.:** **29/136,021**

(22) **Filed:** **Jan. 23, 2001**

(51) **LOC (7) Cl.** **13-03**

(52) **U.S. Cl.** **D13/146; D24/169**

(58) **Field of Search** **D13/146; D24/169;**
439/599, 589, 374, 909, 352, 357, 465,
687, 696, 731, 906; 600/322, 323

(56) **References Cited**

U.S. PATENT DOCUMENTS

5,004,432	A	*	4/1991	Tucker	439/696	X
5,249,576	A		10/1993	Goldberger et al.	128/632	
D355,032	S	*	1/1995	Goldberger et al.	D24/169	
5,387,122	A		2/1995	Goldberger et al.	439/353	
D375,792	S		11/1996	Hillman et al.	D24/186	
5,638,593	A		6/1997	Gerhardt et al.	29/592.1	
5,647,757	A	*	7/1997	Chrysostomou	439/352	
5,807,248	A	*	9/1998	Mills	600/322	
5,863,214	A	*	1/1999	Hanak	439/352	
6,014,576	A		1/2000	Raley	600/344	

OTHER PUBLICATIONS

Datex-Ohmeda; Product Listing; 1999.
Datex-Ohmeda; Ear OxyTip Sensor Instruction Sheet; 1999.

Datex-Ohmeda; Sat Sensor Oximetry Sensors Product Listing; 1999.

Datex-Ohmeda; Pulse Oximetry Sensor Product Listing; 1999.

Datex-Ohmeda; Sat Sensor Oximetry Sensor Brochure; 1999.

Datex-Ohmeda; Oximetry Sensor for a Wide Range of Patients and Situations Brochure; 1999.

Datex-Ohmeda; ClipTip Sensor Instruction Sheet; 1999.

Datex-Ohmeda; Sat Sensor Cable Instruction Sheet.

Datex-Ohmeda; AllFit Sat Sensor Instruction Sheet; 1999.

Datex-Ohmeda; FingerSat Sensor Instruction Sheet.

* cited by examiner

Primary Examiner—Joel Sincavage

(74) *Attorney, Agent, or Firm*—Marsh Fischmann & Breyfogle LLP

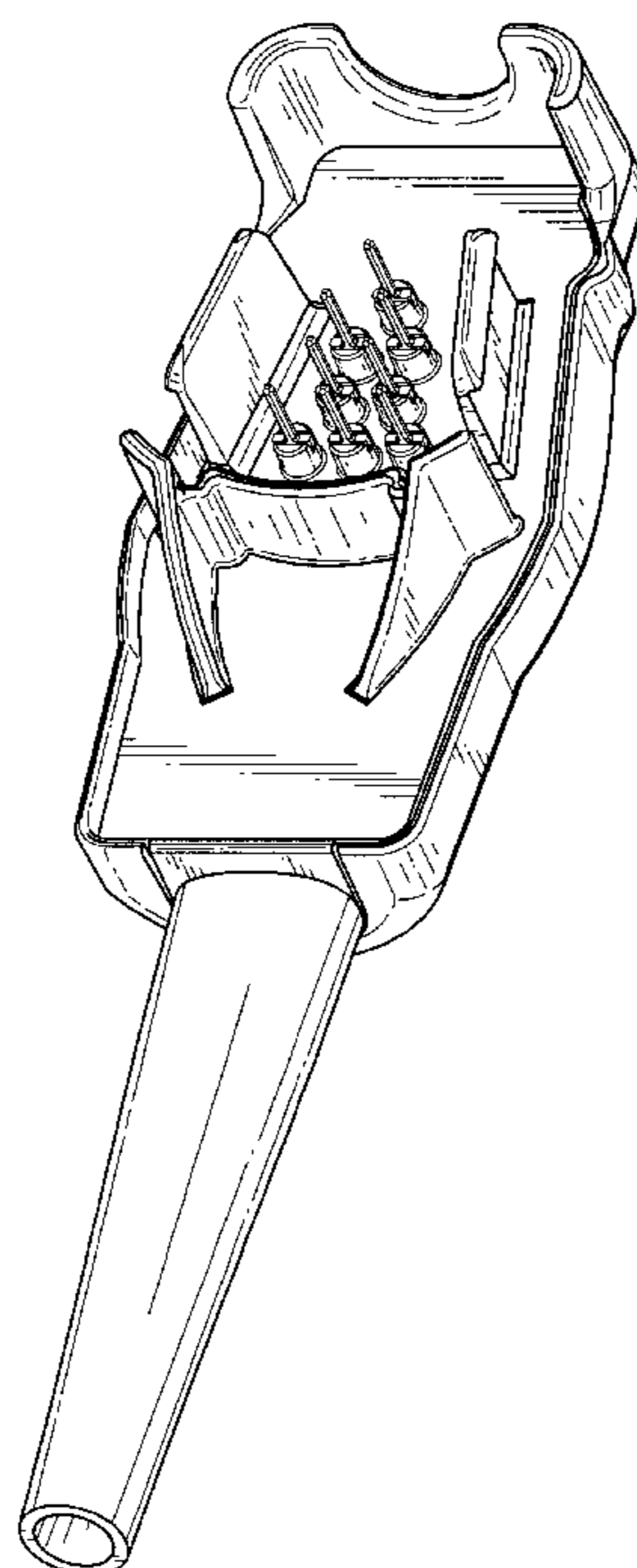
(57) **CLAIM**

The ornamental design for a snap sensor connector, as shown and described.

DESCRIPTION

FIG. 1 is an isometric view of the top of the connector; FIG. 2 is an isometric view of the bottom of the connector; FIG. 3 is a front view of the connector; FIG. 4 is a back view of the connector; FIG. 5 is a view of the left side of the connector; FIG. 6 is a view of the right side of the connector; FIG. 7 is a view of the top of the connector; and, FIG. 8 is a view of the bottom of the connector.

1 Claim, 5 Drawing Sheets



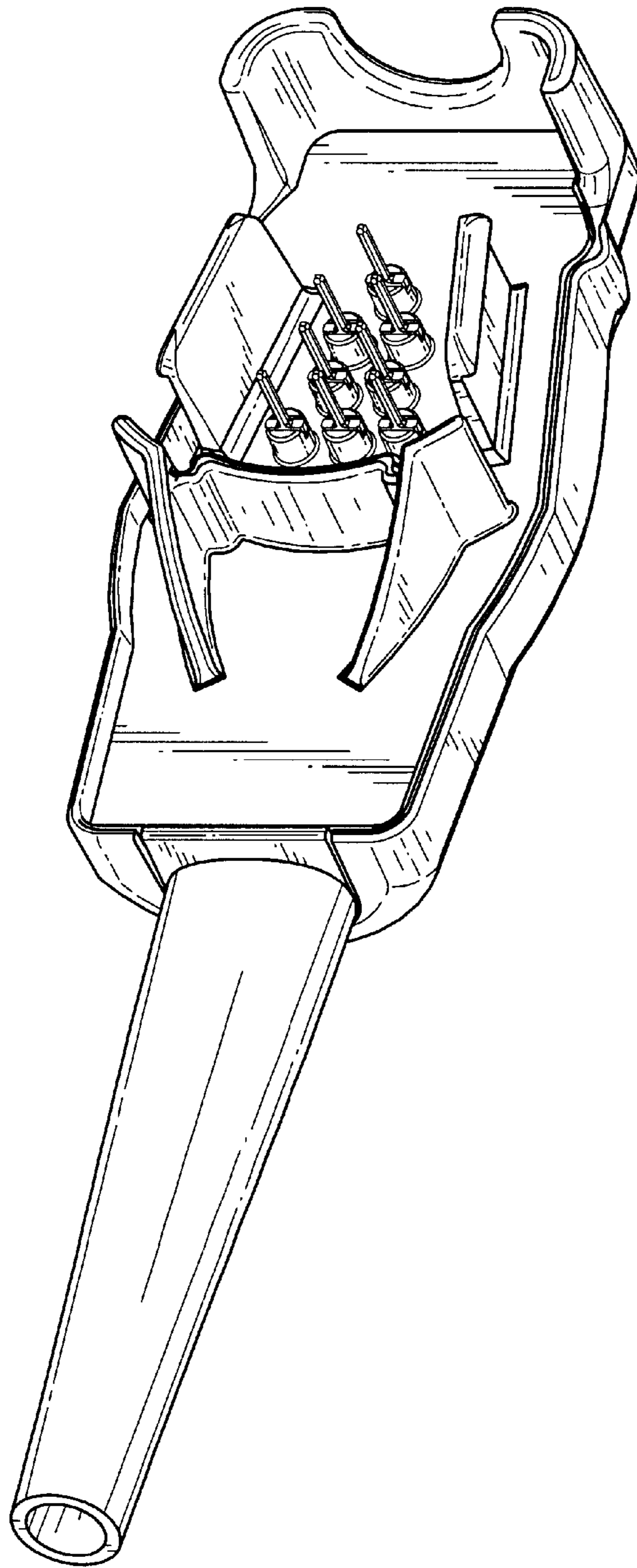


FIG. 1

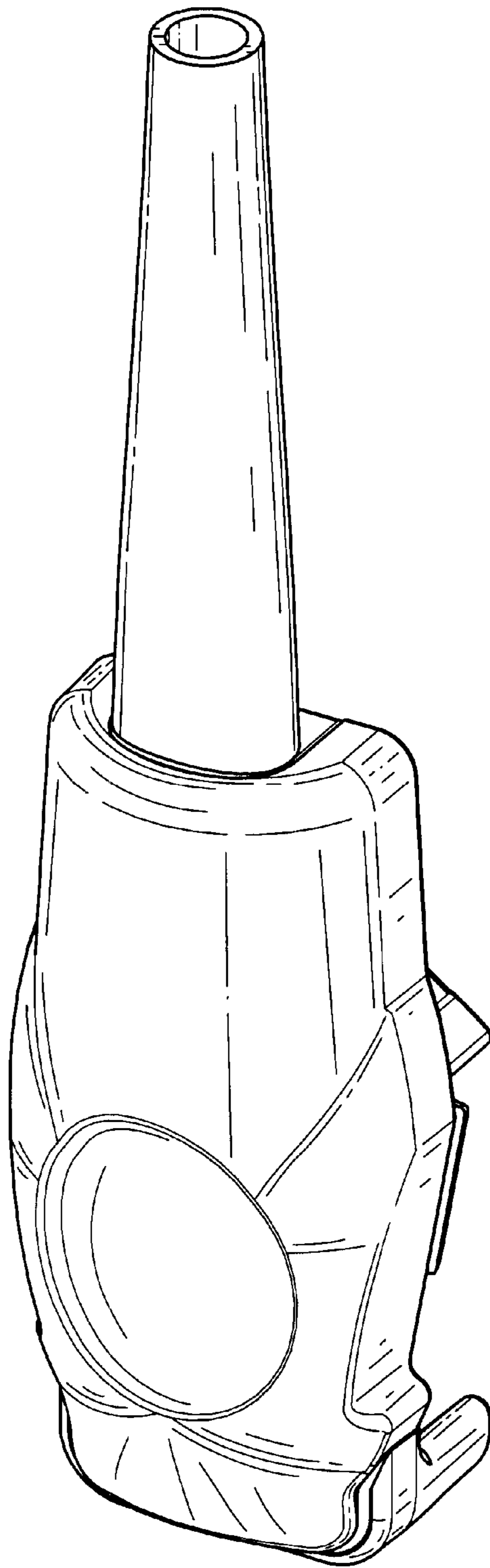


FIG.2

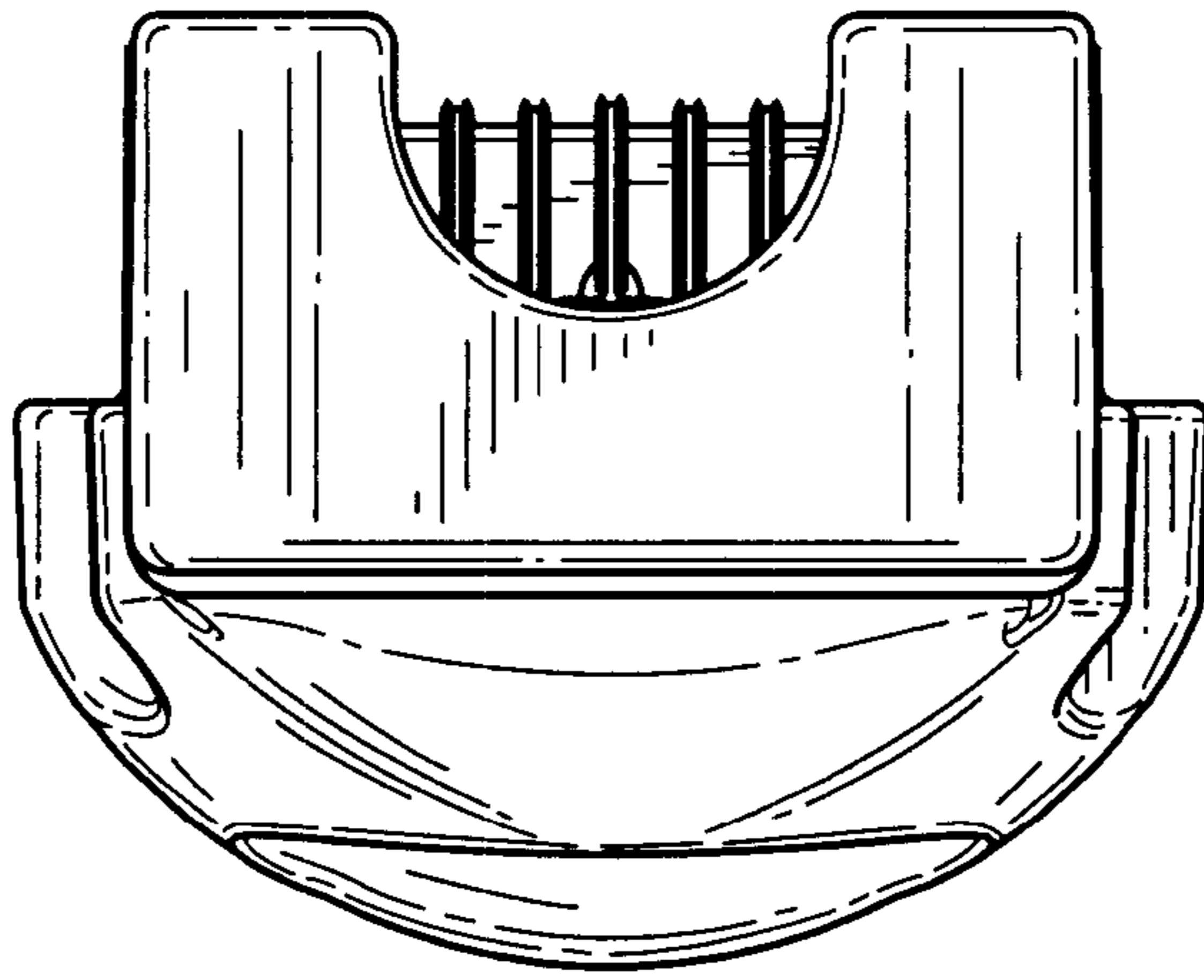


FIG.3

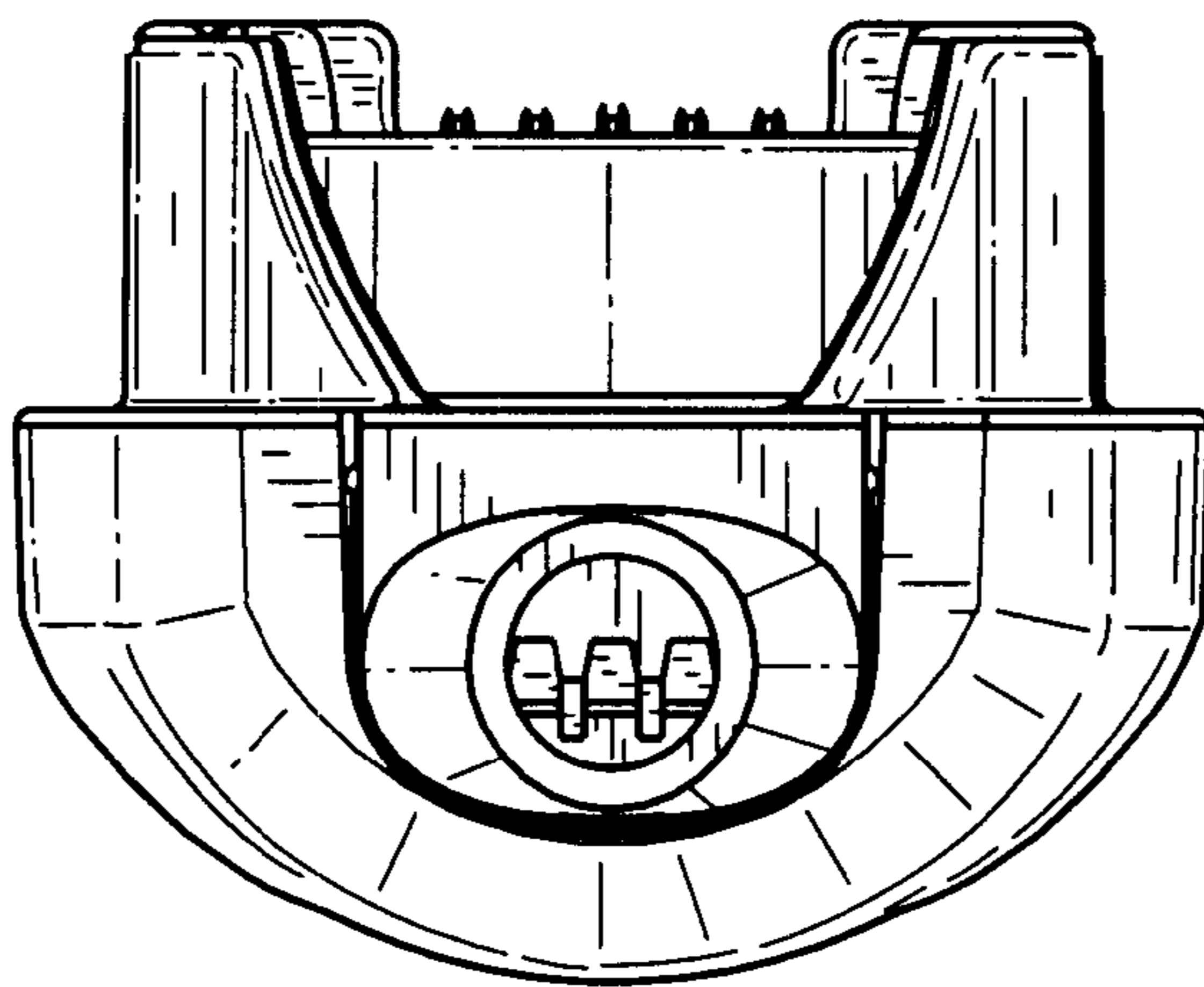


FIG.4

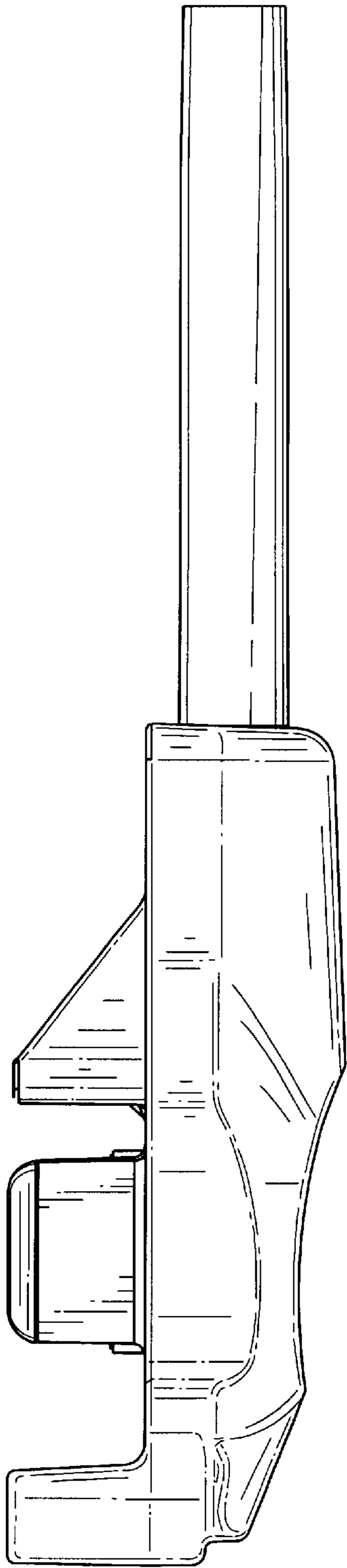


FIG. 5

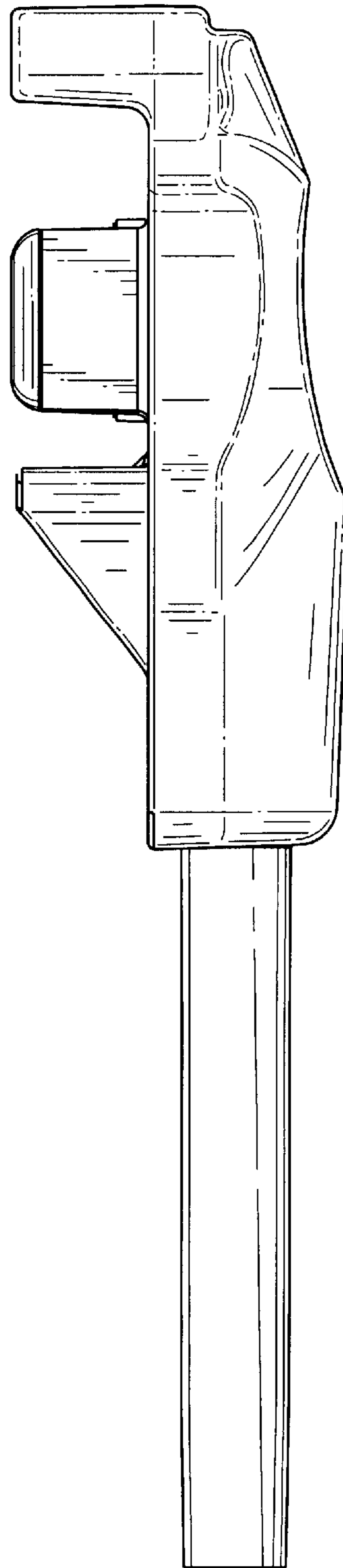


FIG. 6

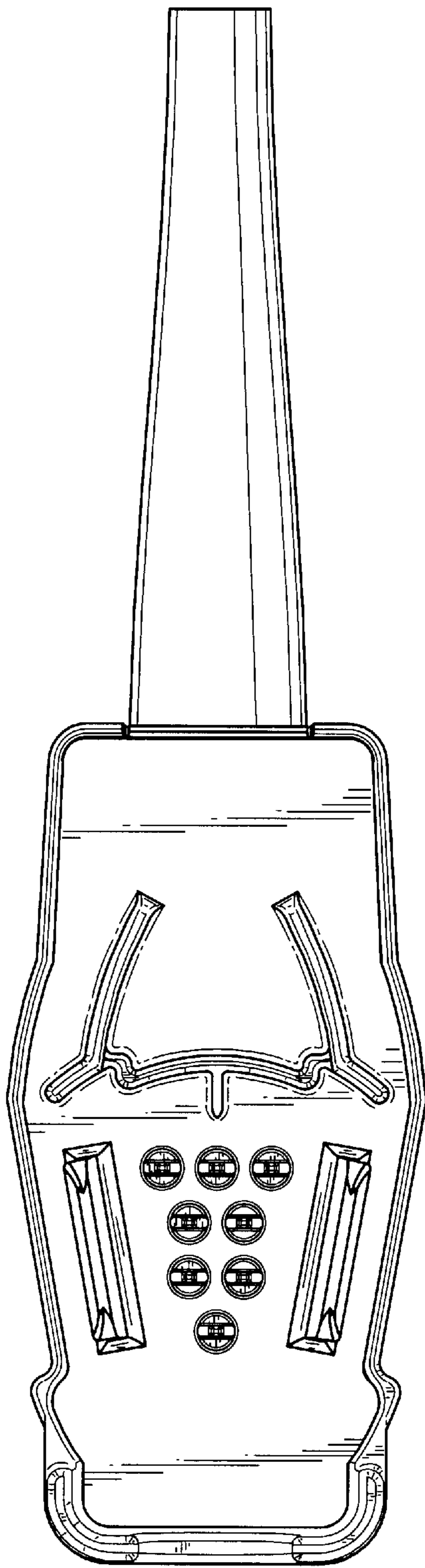


FIG. 7

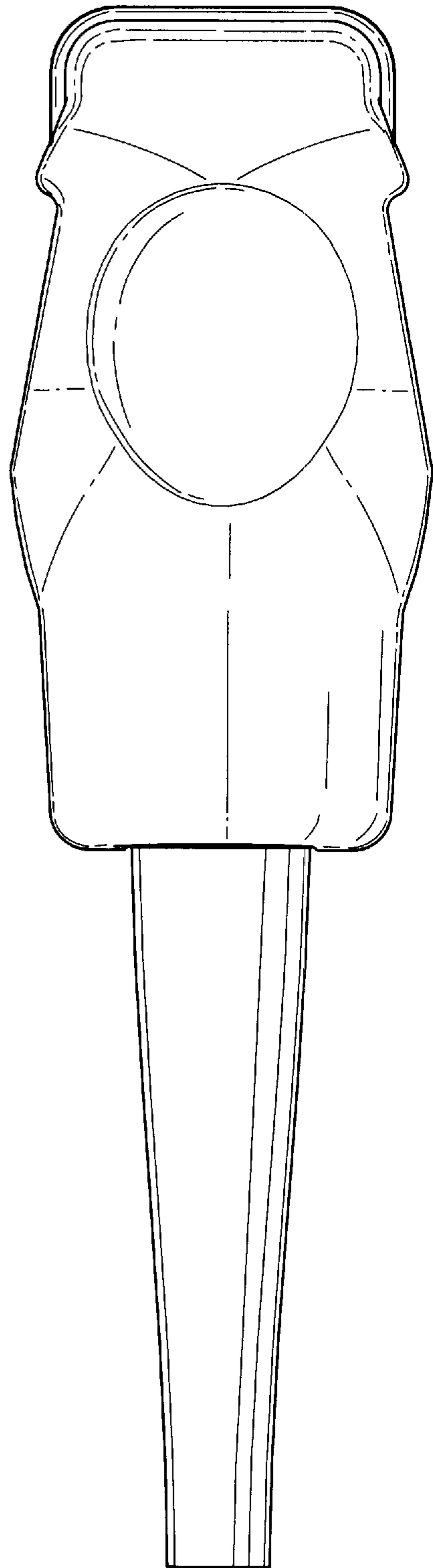


FIG. 8