



US00D456763S

(12) **United States Design Patent**
Graas

(10) **Patent No.:** **US D456,763 S**

(45) **Date of Patent:** **** May 7, 2002**

(54) **TIRE TREAD**

(75) Inventor: **Maurice Graas**, Reichlange (LU)

(73) Assignee: **The Goodyear Tire & Rubber Company**, Akron, OH (US)

(**) Term: **14 Years**

(21) Appl. No.: **29/143,265**

(22) Filed: **Jun. 11, 2001**

(51) **LOC (7) Cl.** **12-15**

(52) **U.S. Cl.** **D12/550**

(58) **Field of Search** D12/547, 549,
D12/550, 551, 553, 555, 556; 152/209.1,
209.9, 209.13, 209.28

(56) **References Cited**

U.S. PATENT DOCUMENTS

D332,073 S	12/1992	Hasegawa	D12/147
D339,776 S	9/1993	Hayakawa et al.	D12/147
D342,047 S	12/1993	Takahashi	D12/146
5,435,364 A	7/1995	Hasegawa et al.	152/209 R
D380,994 S	7/1997	Morishita et al.	D12/141
D396,676 S	8/1998	Croyle	D12/147
D405,035 S	2/1999	Graas	D12/147
D418,782 S	1/2000	Williams	D12/147
6,112,788 A	9/2000	Ikeda	152/209.19
D442,127 S	5/2001	Allison	D12/147

OTHER PUBLICATIONS

BFGoodrich Comp T/A ZR Tire, 2000 Tread Design Guide, Jan. 2000, p. 15. 1/1.*

Toyo Proxes U1 Tire, 2000 Tread Design Guide, Jan. 2000, p. 69. 4/4.*

* cited by examiner

Primary Examiner—Robert M. Spear

(74) *Attorney, Agent, or Firm*—David E. Wheeler

(57) **CLAIM**

The ornamental Design for a tire tread, as shown and described.

DESCRIPTION

FIG. 1 is a perspective view of a tire tread showing our new design, it being understood that the pattern repeats uniformly throughout the circumference of the tread;

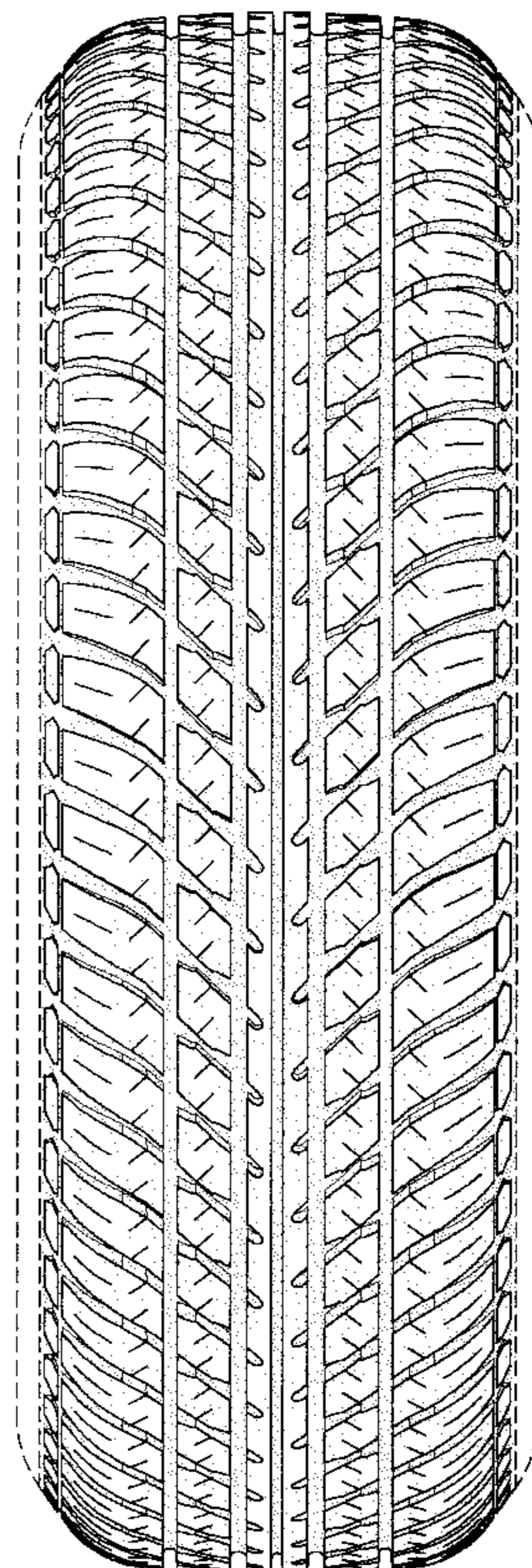
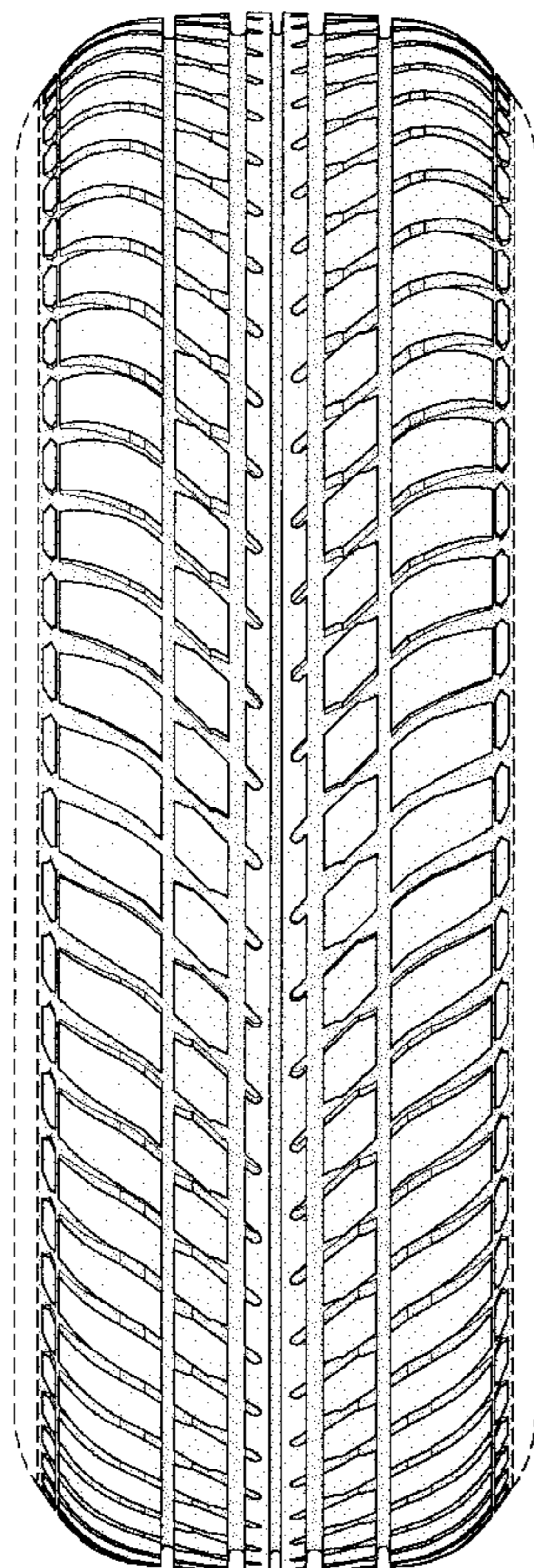
FIG. 2 is a front elevational view thereof;

FIG. 3 is a right side elevational view thereof, the other side being a mirror image of the right side thereof;

FIG. 4 is an enlarged fragmentary perspective view; and, FIG. 5 is a front elevational view of an alternative embodiment thereof.

In the drawings, the broken lines defining the sidewall and inner bead of the tire and the peripheral boundary between the tire tread and the sidewall are for illustrative purposes only and form no part of the claimed design.

1 Claim, 5 Drawing Sheets



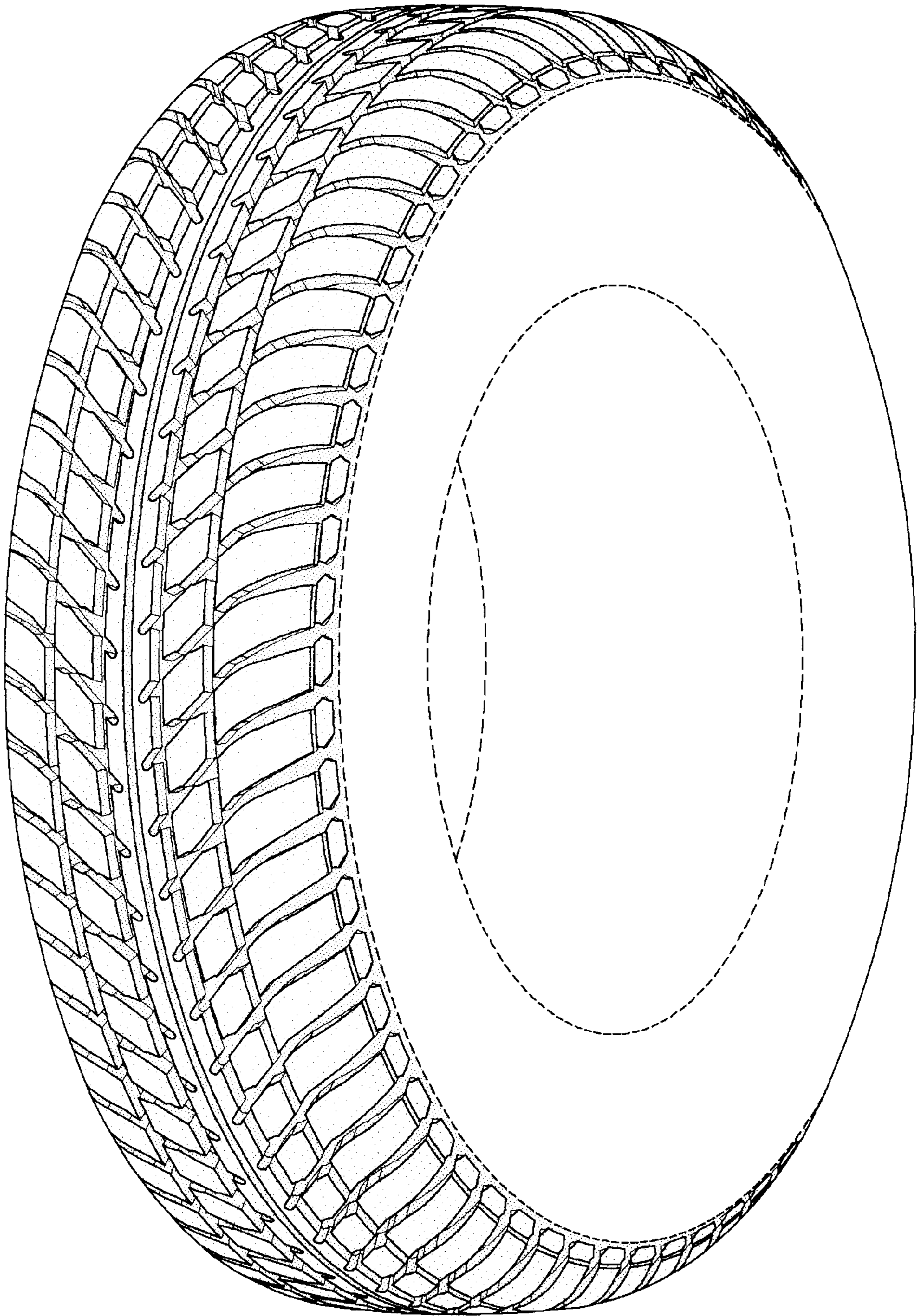


FIG-1

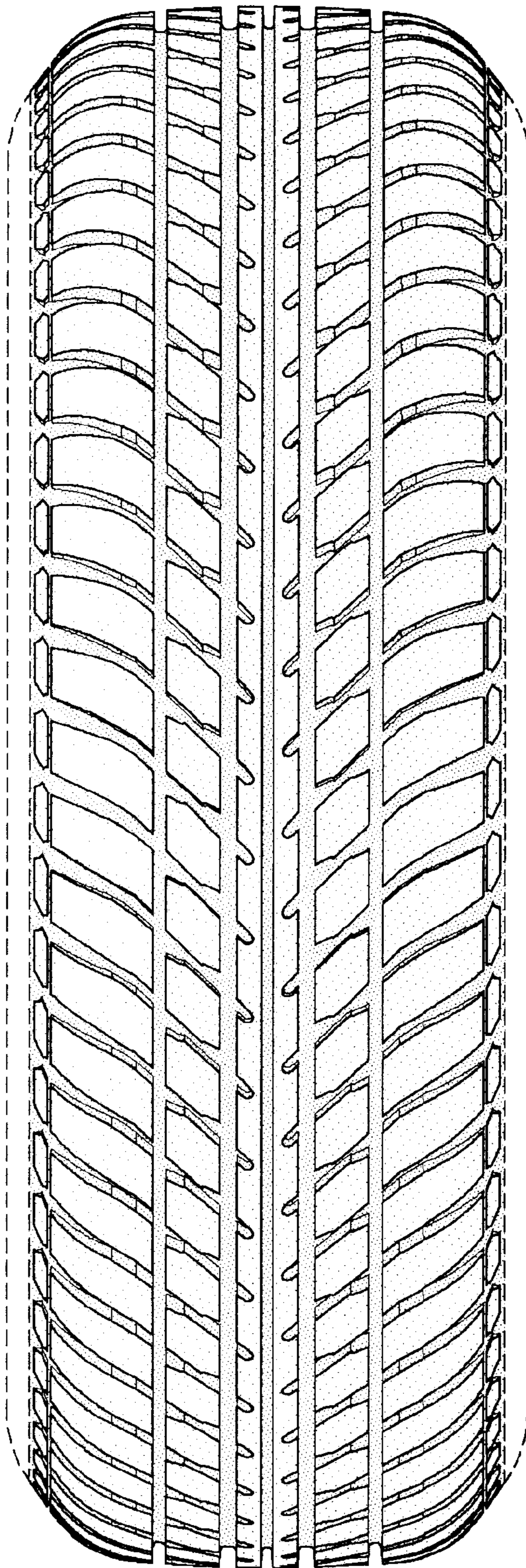


FIG-2

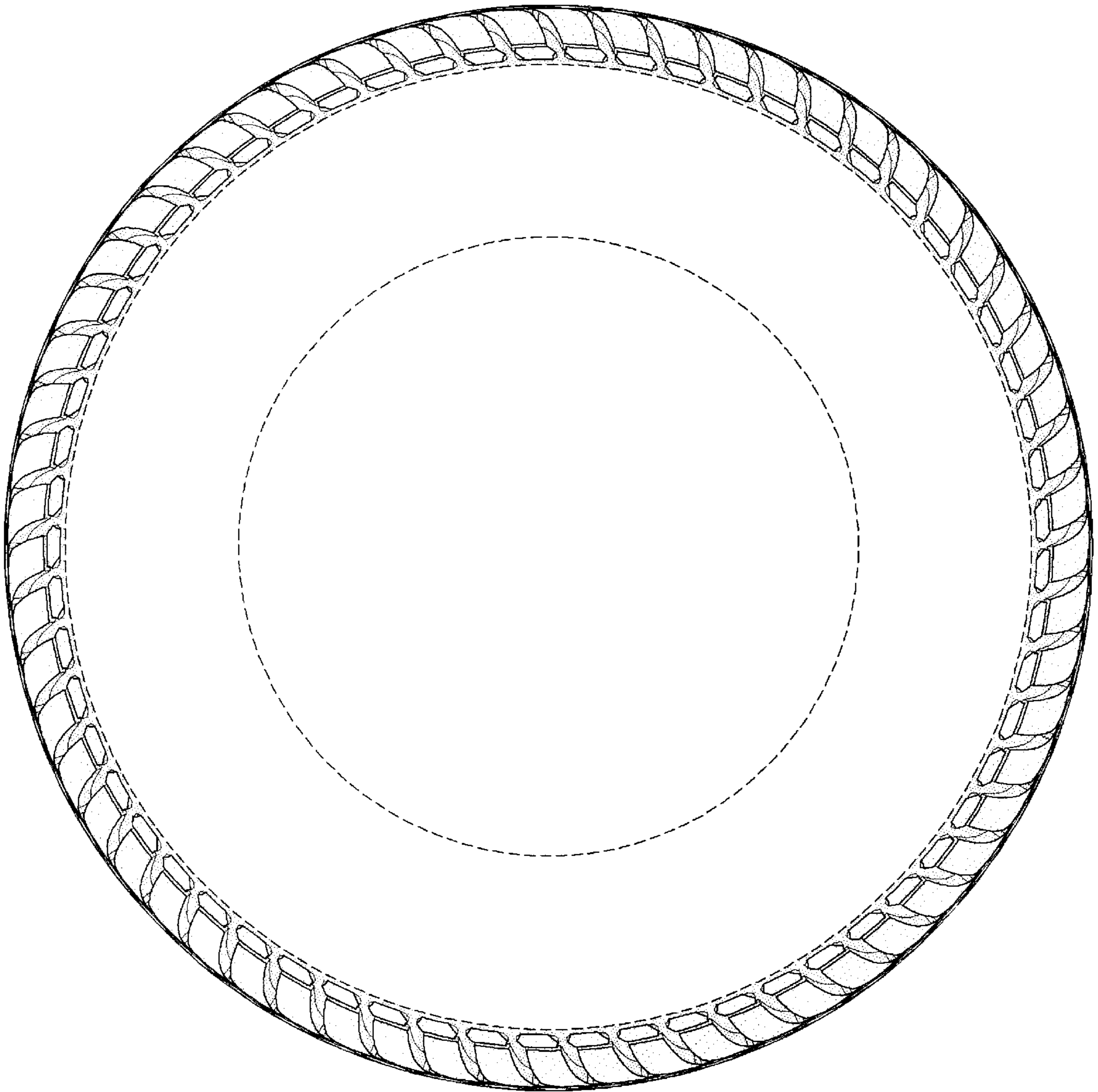


FIG-3

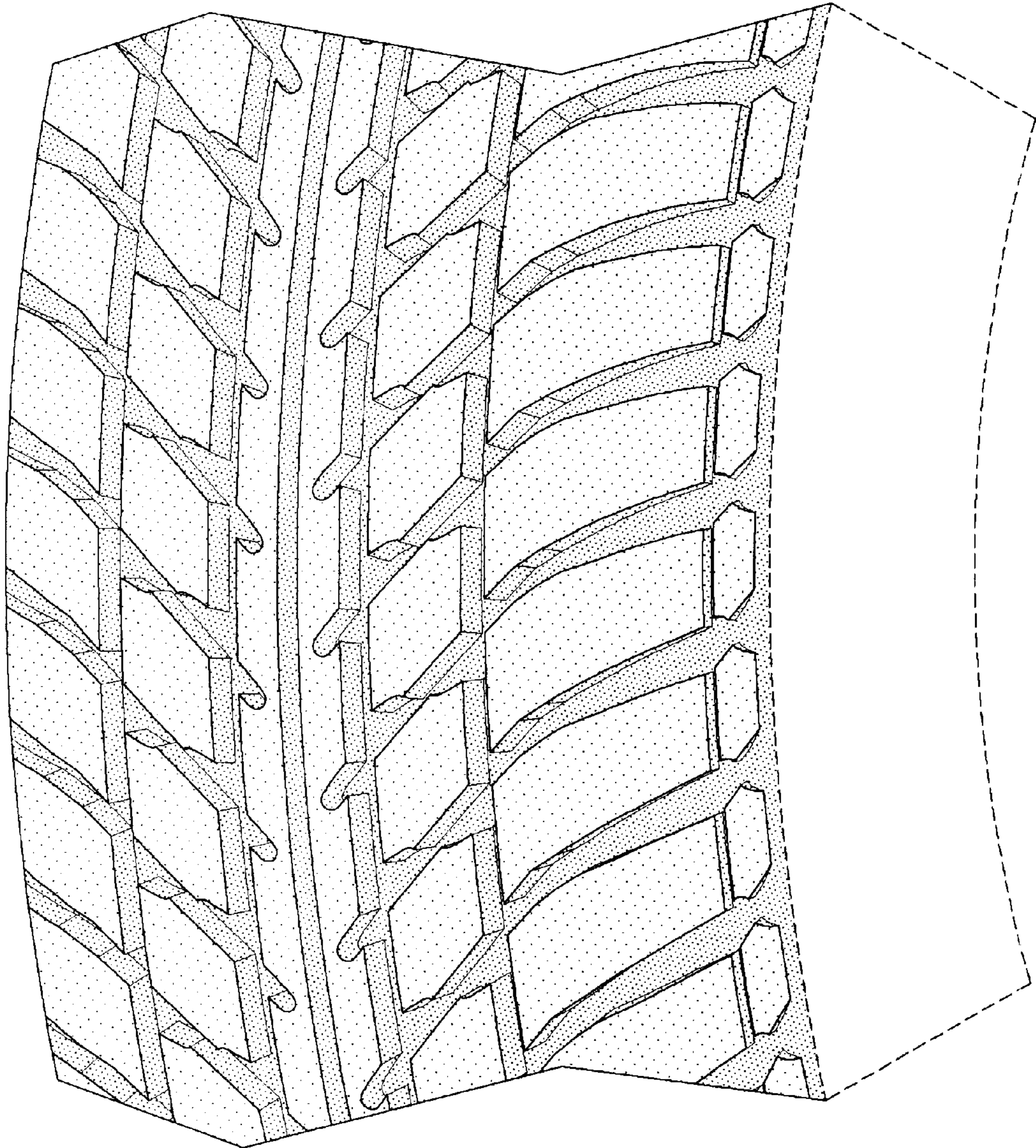


FIG-4

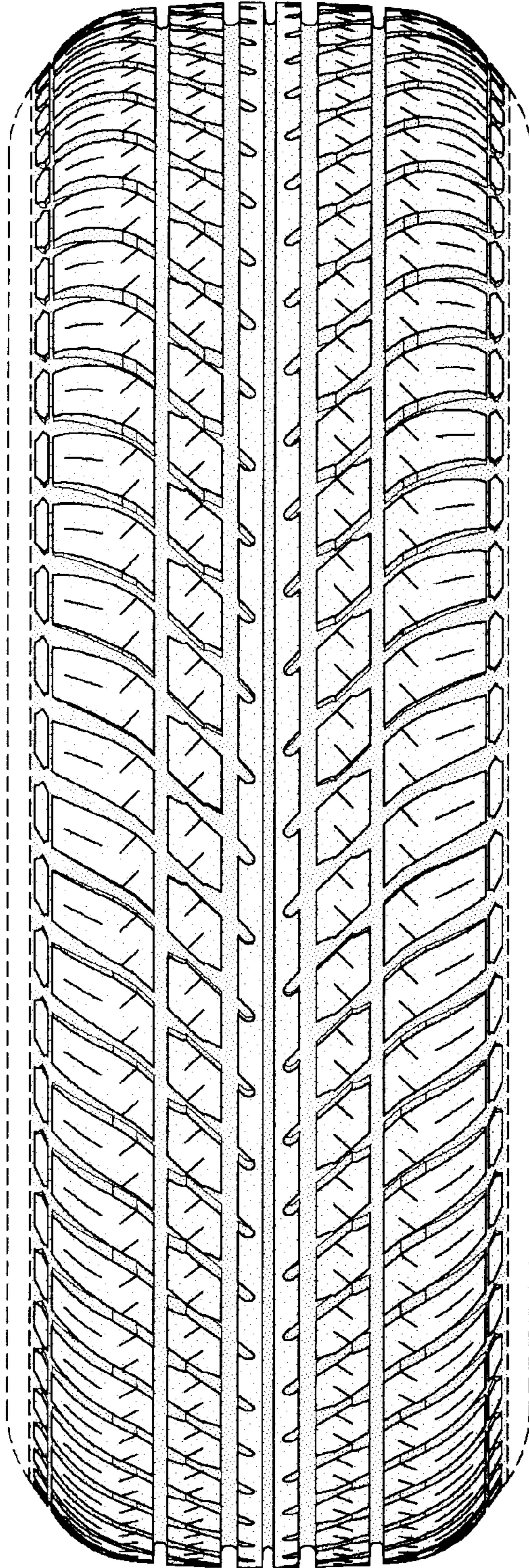


FIG-5