



US00D456761S

(12) **United States Design Patent**  
**Hoy**

(10) **Patent No.:** **US D456,761 S**

(45) **Date of Patent:** **\*\* May 7, 2002**

(54) **FOOD CONSOLE FOR USE IN A VEHICLE**

(75) **Inventor:** **John W. Hoy, Olpe, KS (US)**

(73) **Assignee:** **Hopkins Manufacturing Corporation, Emporia, KS (US)**

(\*\*) **Term:** **14 Years**

(21) **Appl. No.:** **29/150,609**

(22) **Filed:** **Nov. 6, 2001**

(51) **LOC (7) Cl.** ..... **12-16**

(52) **U.S. Cl.** ..... **D12/419**

(58) **Field of Search** ..... D12/415, 419,  
D12/423-426.1; 248/311.1-311.2; 296/37.1,  
37.6-37.8, 37.13-37.16; D7/553.3, 553.5,  
605, 619-620, 701-708; 108/43-46, 132,  
147, 157; D3/905; 224/42.11, 42.24, 42.25,  
275-277, 400

(56) **References Cited**

**U.S. PATENT DOCUMENTS**

D248,056 S	*	5/1978	Nepper	.....	D12/419
D271,442 S	*	11/1983	Lehner	.....	D12/419
D271,541 S	*	11/1983	Rockwell	.....	D12/419
4,813,582 A		3/1989	Henricksen et al.		
D303,454 S		9/1989	Morales et al.		
D307,355 S	*	4/1990	Page, Jr.	.....	D12/419
4,940,003 A		7/1990	Mayhew et al.		
D317,982 S		7/1991	Morales		
D318,176 S		7/1991	Forrestal		
5,069,375 A		12/1991	Flick		
5,114,108 A		5/1992	Olschansky		
D328,973 S	*	9/1992	Mankey	.....	D12/419 X
5,174,534 A		12/1992	Mitchell		
5,180,088 A		1/1993	de Angeli		
5,330,145 A		7/1994	Evans et al.		
D352,495 S	*	11/1994	Mawhinney et al.	.....	D12/419
D360,183 S		7/1995	Girandola		
D362,837 S	*	10/1995	Mankey et al.	.....	D12/419

D368,889 S	*	4/1996	Mankey et al.	.....	D12/419
D375,719 S	*	11/1996	Schlangen et al.	.....	D12/419
D375,931 S		11/1996	Ferrigan		
5,651,523 A		7/1997	Bridges		
5,676,340 A		10/1997	Ruhnau		
D390,186 S	*	2/1998	Smith	.....	D12/419
5,745,565 A		4/1998	Wakefield		
D396,844 S	*	8/1998	Smith	.....	D12/419
D402,666 S		12/1998	Golder		
5,954,195 A		9/1999	Krueger et al.		
D415,995 S		11/1999	Kanehl, Jr.		
6,113,049 A		9/2000	Miljanich		
D434,720 S	*	12/2000	Haack et al.	.....	D12/419
6,189,755 B1		2/2001	Wakefield		
D444,120 S	*	6/2001	Smith	.....	D12/419
D448,001 S	*	9/2001	Pfeiffer et al.	.....	D12/419

\* cited by examiner

*Primary Examiner*—Stacia Cadmus

(74) *Attorney, Agent, or Firm*—Hovey Williams LLP

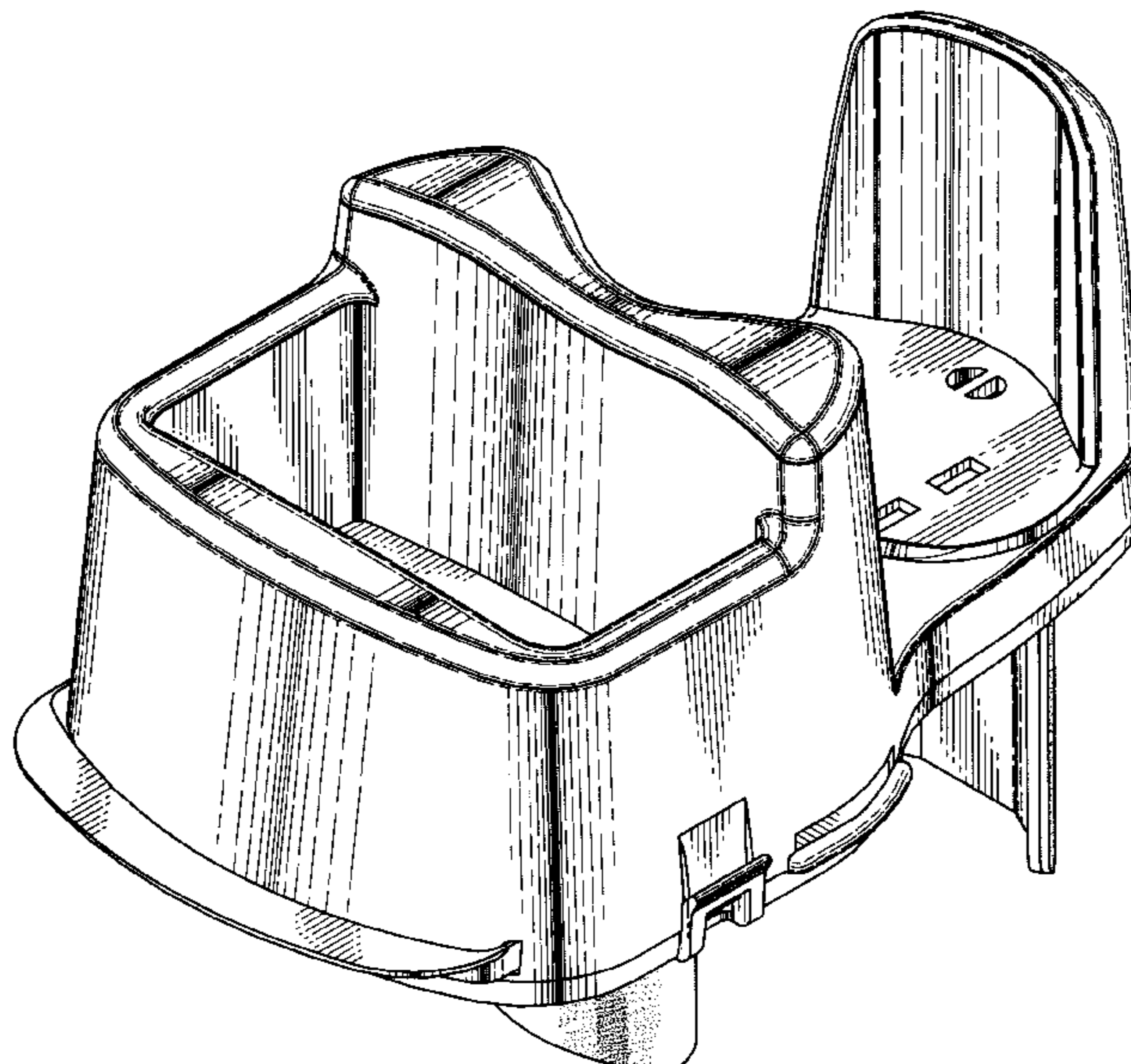
(57) **CLAIM**

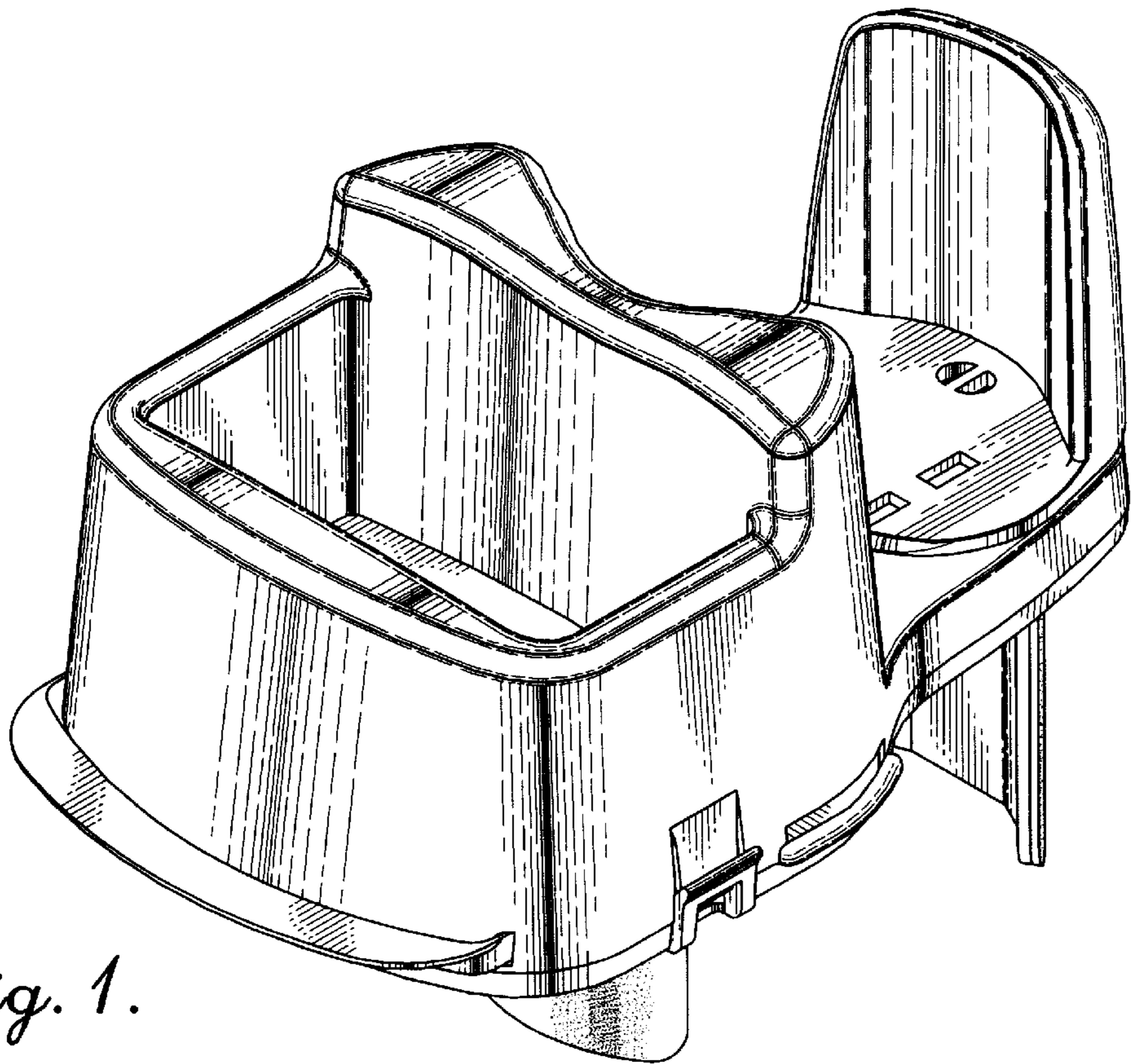
The ornamental design for a food console for use in a vehicle, as shown and described.

**DESCRIPTION**

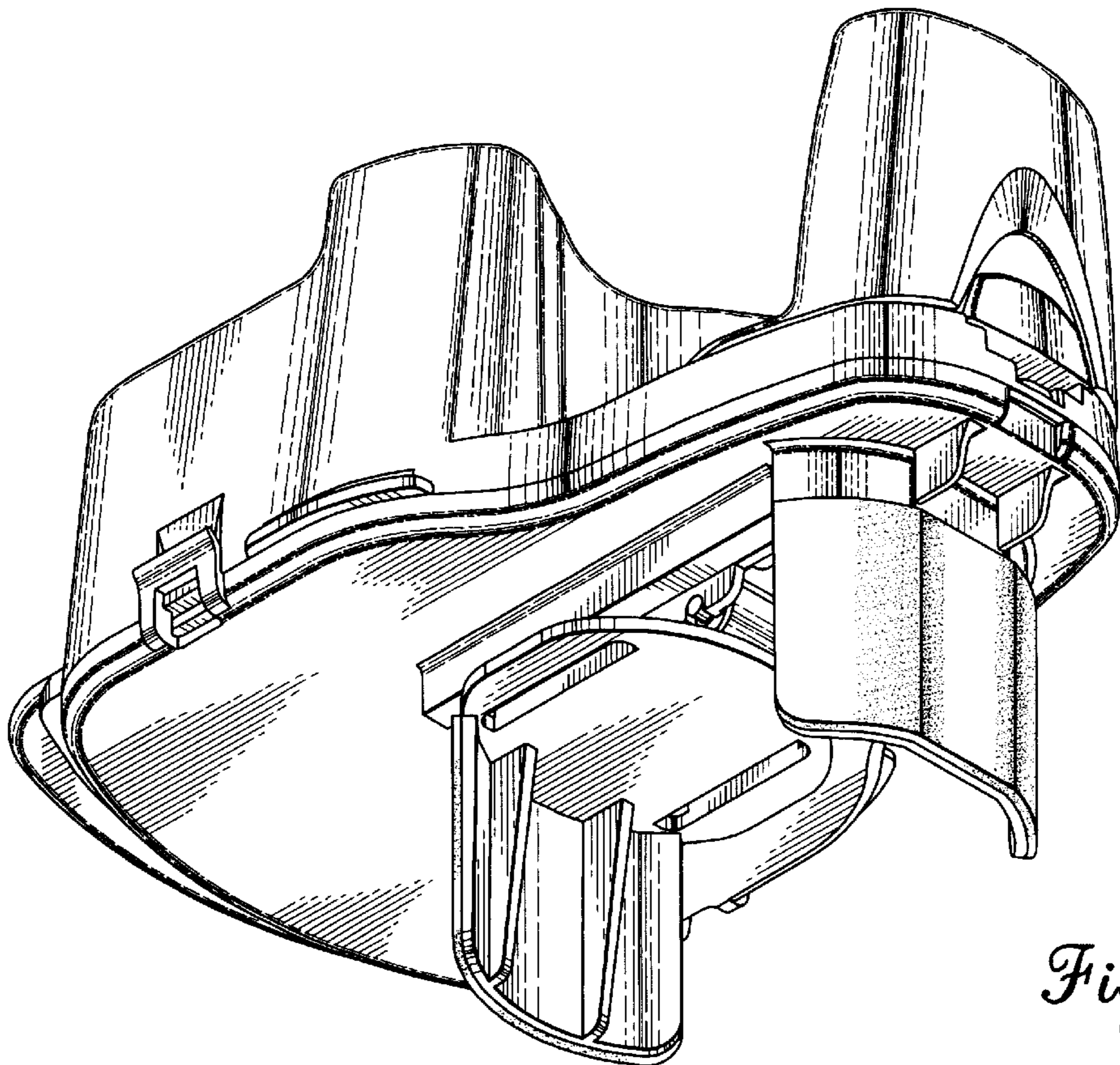
FIG. 1 is a top-right-front isometric view of a food console for use in a vehicle and embodying my design;  
 FIG. 2 is a bottom-right-rear isometric view of the food console for use in a vehicle;  
 FIG. 3 is a right side elevation view of the food console for use in a vehicle;  
 FIG. 4 is a plan view of the food console for use in a vehicle;  
 FIG. 5 is a front elevation view of the food console for use in a vehicle;  
 FIG. 6 is a rear elevation view of the food console for use in a vehicle; and,  
 FIG. 7 is a bottom view of the food console for use in a vehicle.

**1 Claim, 3 Drawing Sheets**

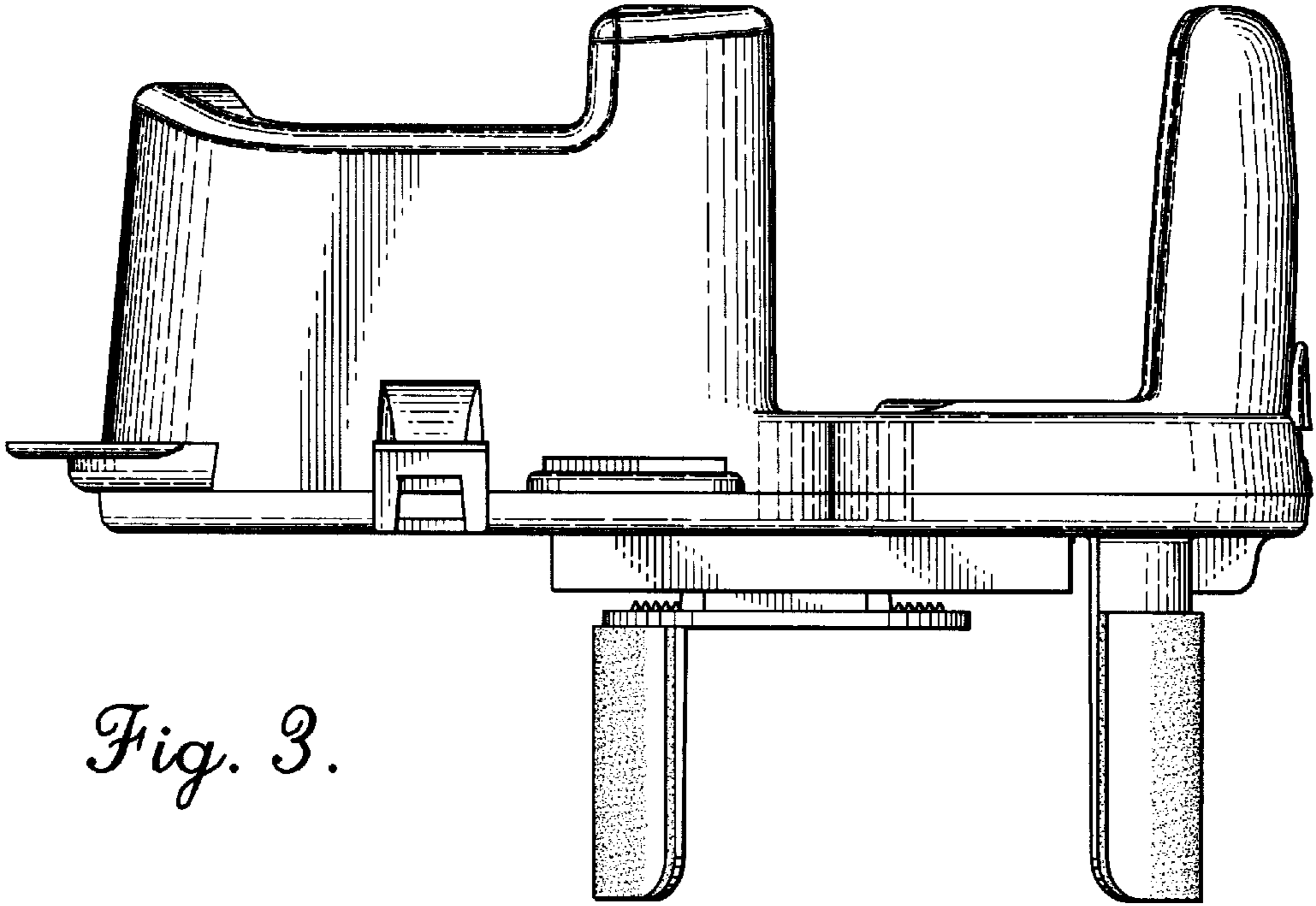




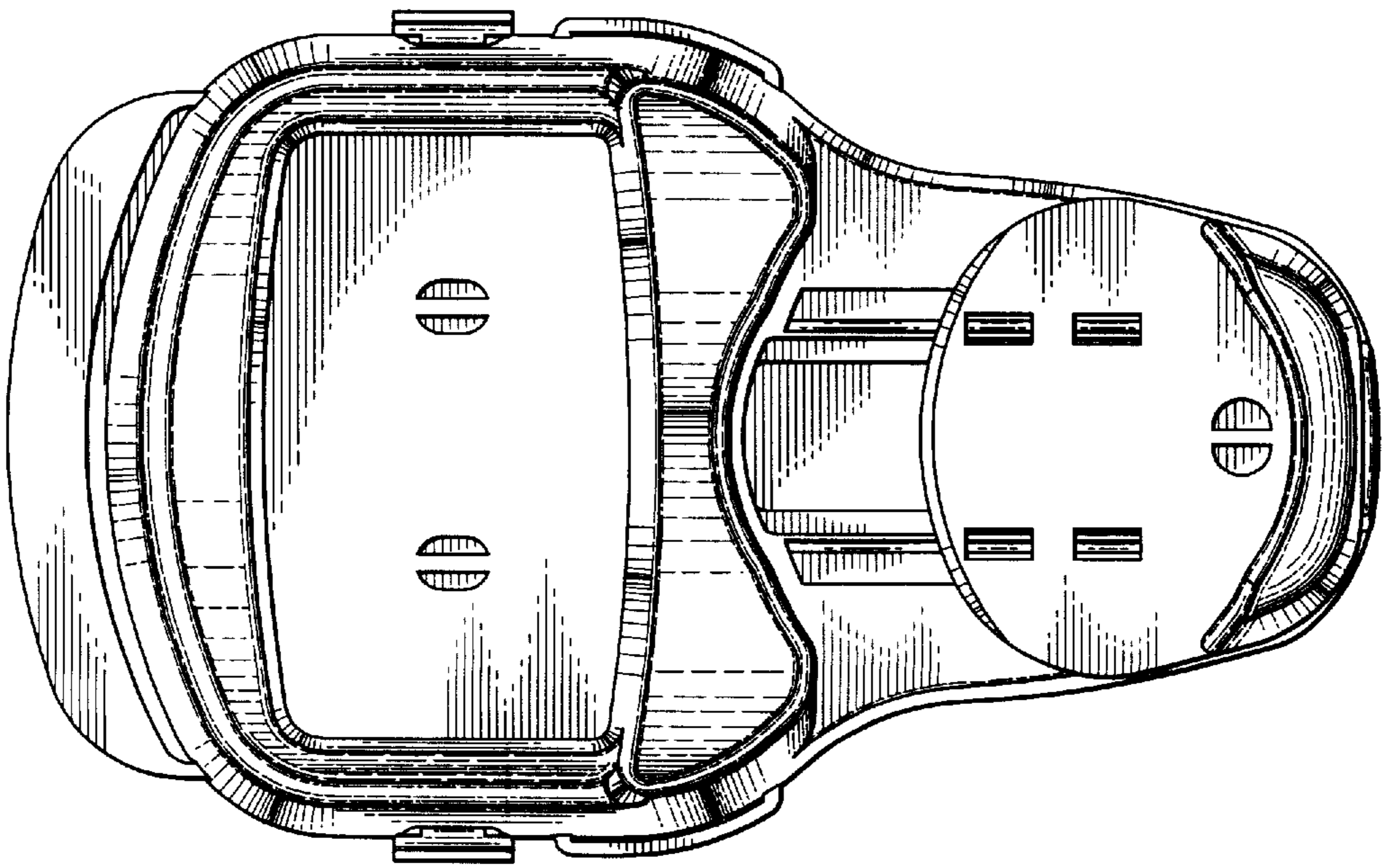
*Fig. 1.*



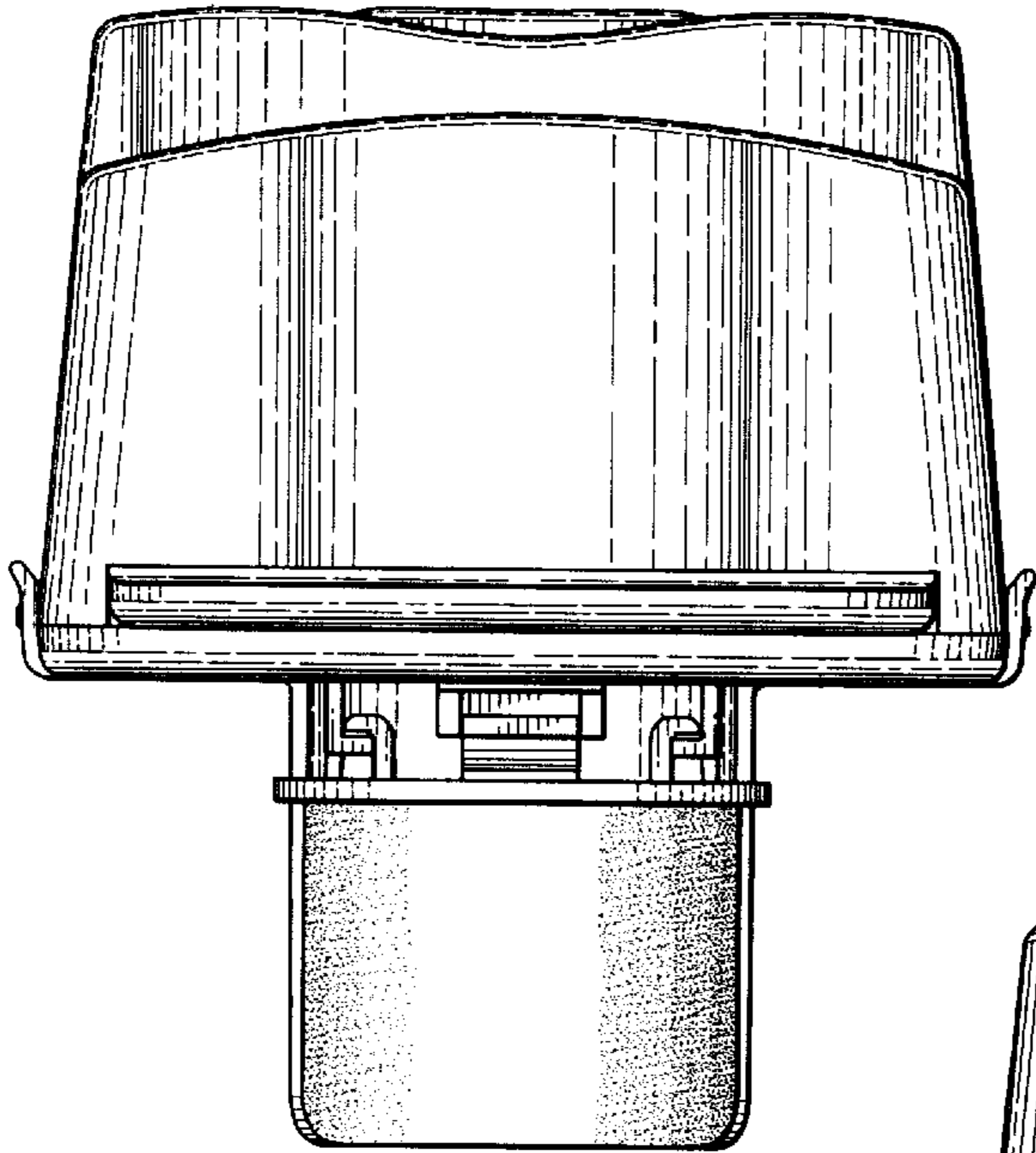
*Fig. 2.*



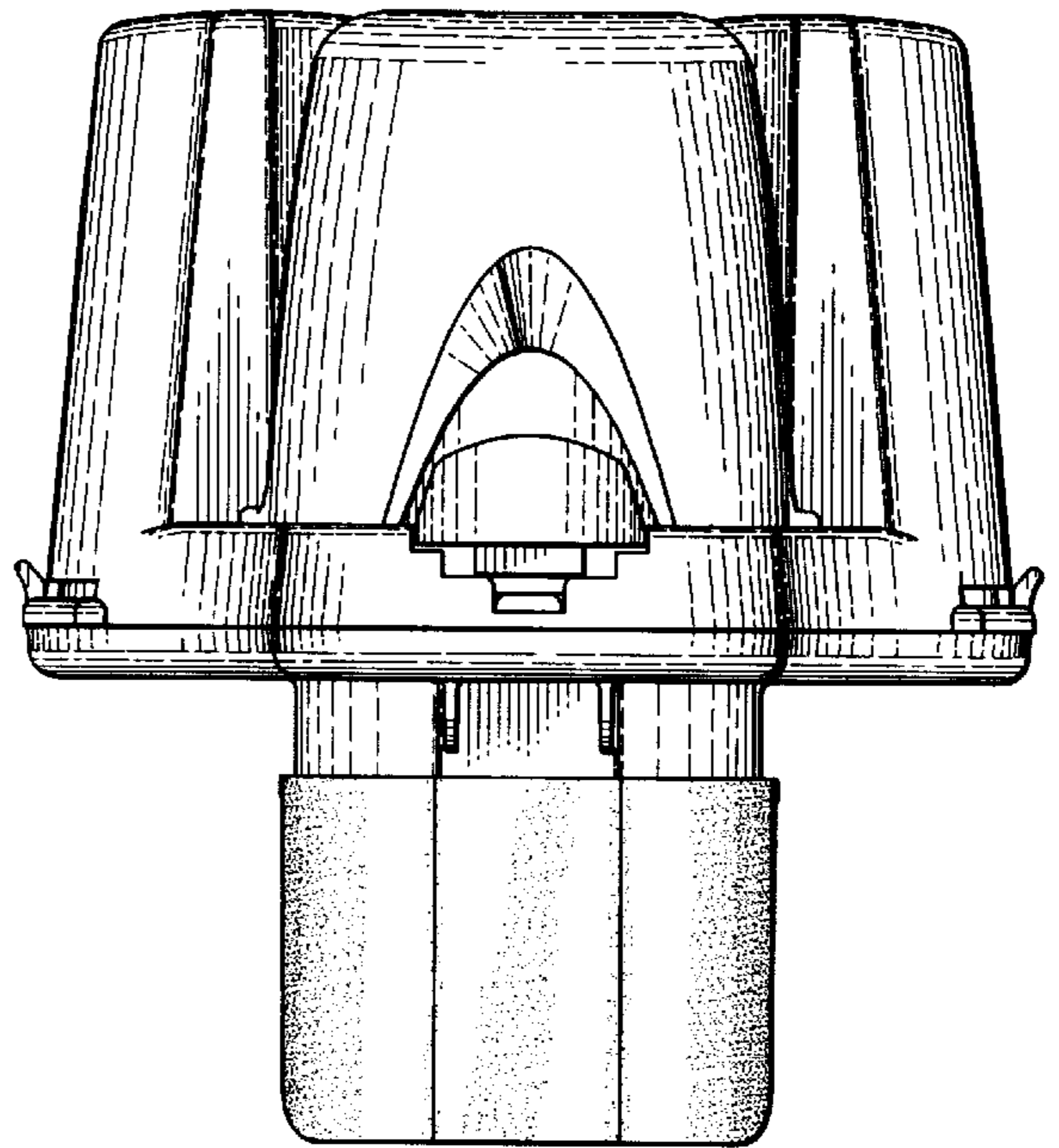
*Fig. 3.*



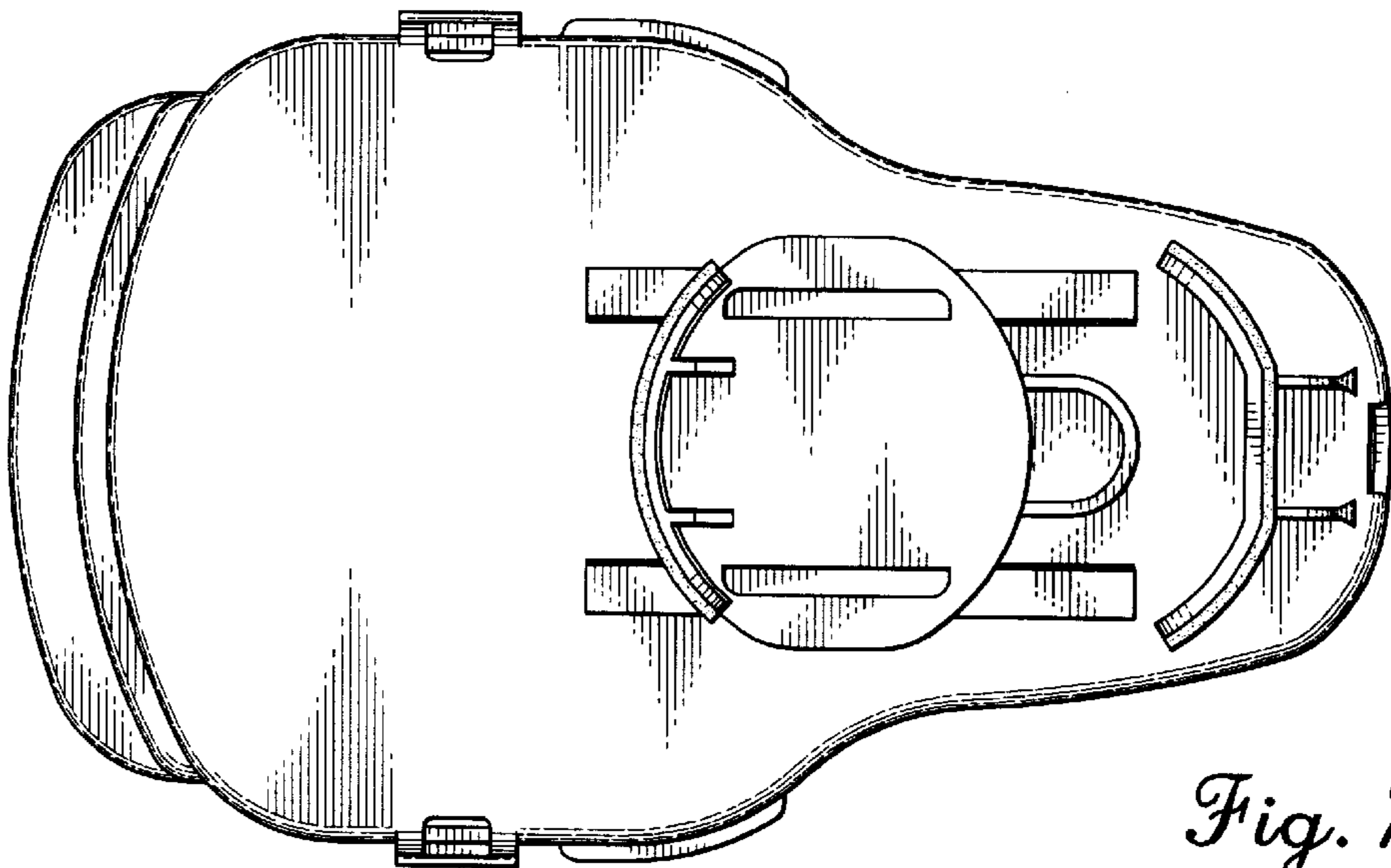
*Fig. 4.*



*Fig. 5.*



*Fig. 6.*



*Fig. 7.*