



US00D456759S

(12) **United States Design Patent**
Christian et al.

(10) **Patent No.:** **US D456,759 S**
(45) **Date of Patent:** **** May 7, 2002**

(54) **FISHING DOWNRIGGER ASSEMBLY**
(75) Inventors: **Stewart A. Christian**, Traverse City;
Daniel Daigger, Interlochen, both of
MI (US)
(73) Assignee: **Quality Outdoor Products, LLC**,
Romulus, MI (US)
(**) Term: **14 Years**

4,610,409 A	9/1986	Emory, Jr.	
4,798,021 A	1/1989	Miklos	
4,807,386 A	2/1989	Emory, Jr.	
4,836,127 A *	6/1989	Wille	114/25
4,901,970 A	2/1990	Moss et al.	
4,928,420 A	5/1990	Jackson	
5,191,852 A	3/1993	Rupp	
5,438,789 A	8/1995	Emory	
5,445,102 A	8/1995	Rupp	
5,921,196 A *	7/1999	Slatter	114/255

* cited by examiner

(21) Appl. No.: **29/130,546**
(22) Filed: **Oct. 3, 2000**

Primary Examiner—Lisa Lichtenstein
(74) *Attorney, Agent, or Firm*—Gifford, Krass, Groh,
Sprinkle, Anderson & Citkowski, P.C.

Related U.S. Application Data

(63) Continuation-in-part of application No. 09/668,807, filed on
Sep. 22, 2000.
(51) **LOC (7) Cl.** **12-06**
(52) **U.S. Cl.** **D12/317**
(58) **Field of Search** D12/317; 43/21.2;
114/255

(57) **CLAIM**

We claim the ornamental design for a fishing downrigger
assembly, as shown and described.

DESCRIPTION

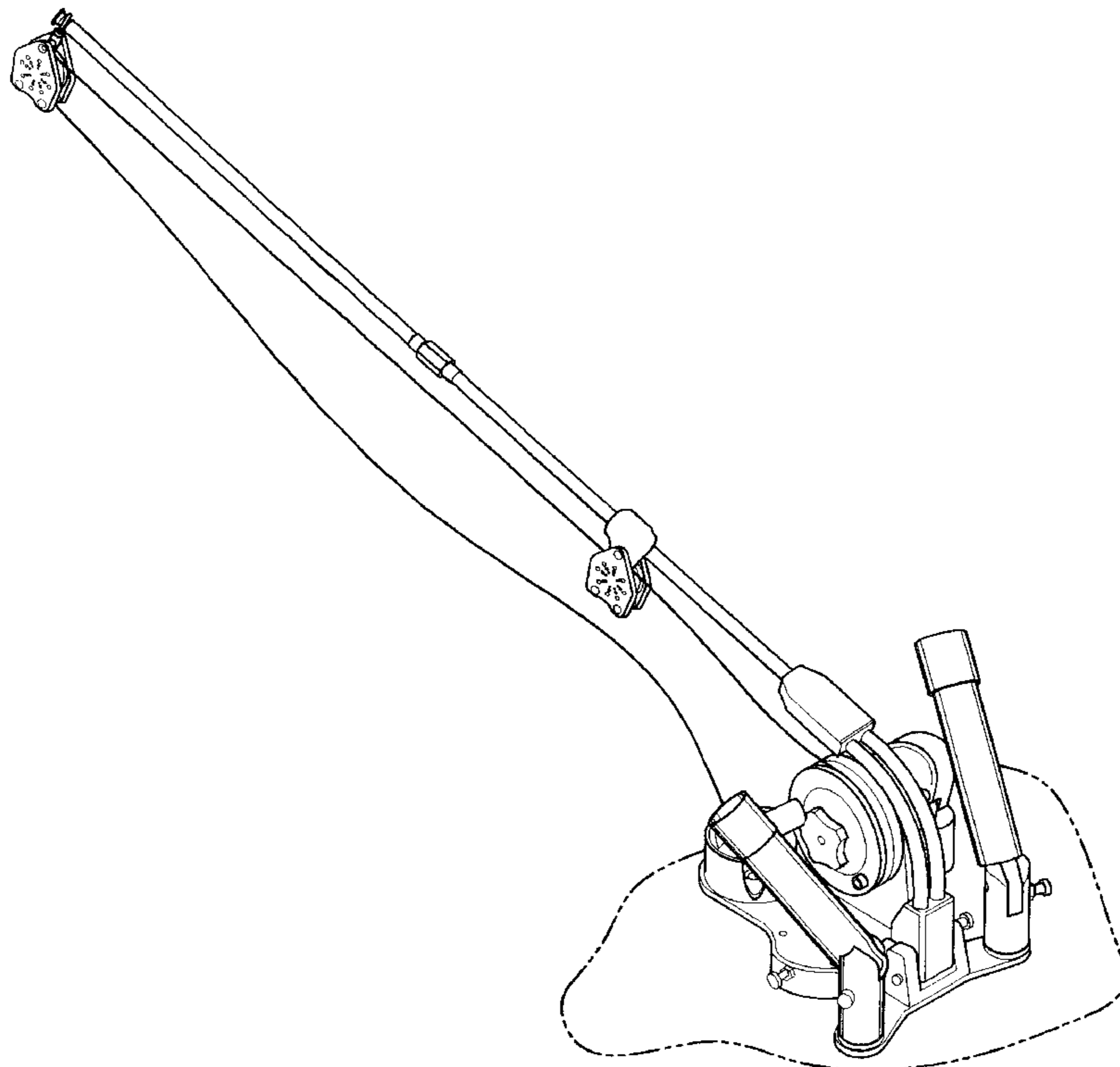
FIG. 1 is a perspective view of the fishing downrigger
assembly forming a part of the present design;
FIG. 2 is a right side view forming a part of the present
design;
FIG. 3 is a left side view forming a part of the present design;
FIG. 4 is a top view forming a part of the present design;
FIG. 5 is a bottom view forming a part of the present design;
FIG. 6 is a front view forming a part of the present design;
and,
FIG. 7 is a rear view forming a part of the present design.

(56) **References Cited**

U.S. PATENT DOCUMENTS

4,173,091 A	11/1979	Emory, Jr.
4,191,340 A	3/1980	Kubanek
4,204,326 A	5/1980	Smith
4,205,478 A	6/1980	Emory, Jr.
4,495,721 A	1/1985	Emory, Jr.
4,527,349 A	7/1985	Emory, Jr.

1 Claim, 3 Drawing Sheets



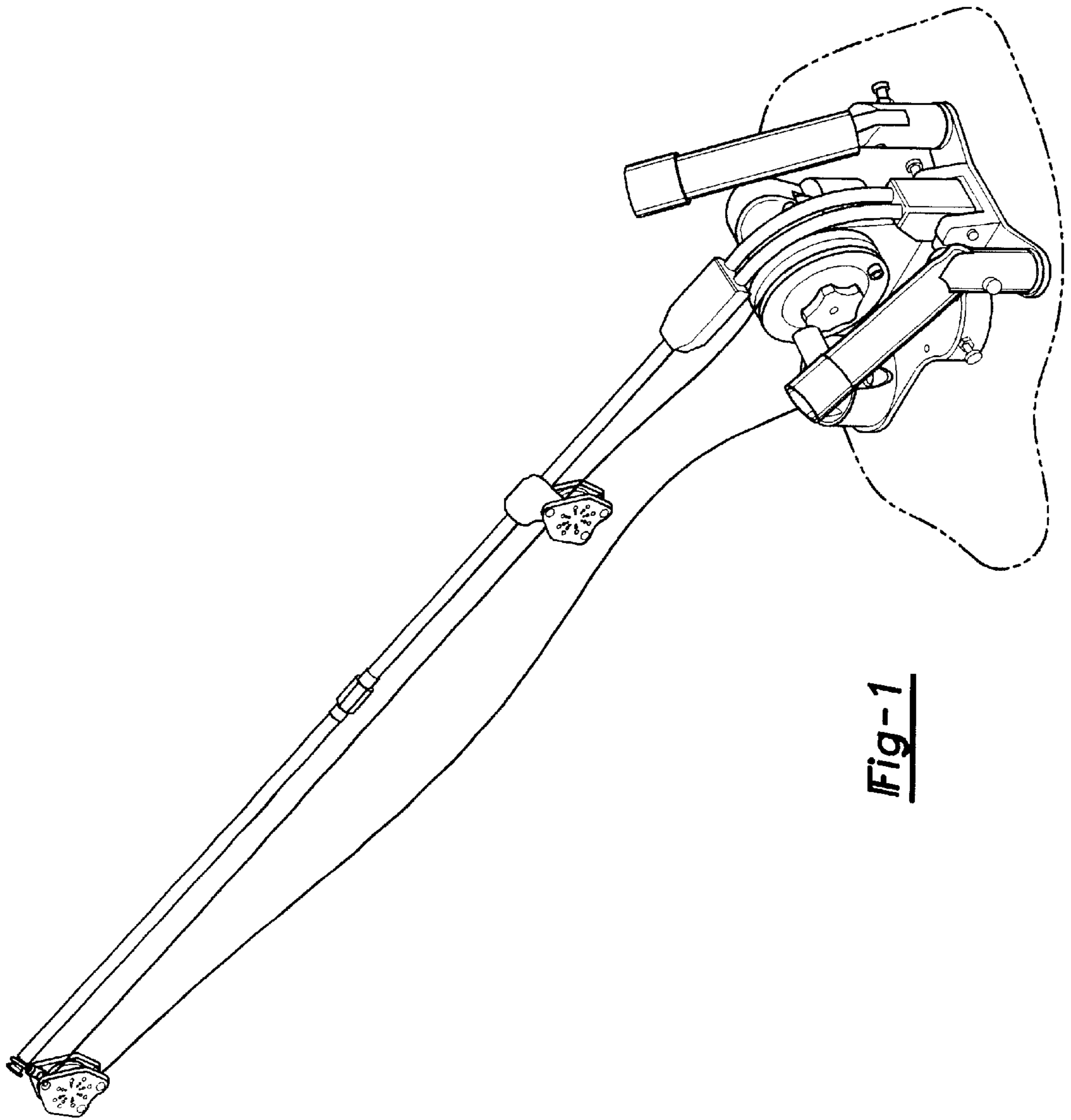


Fig-1

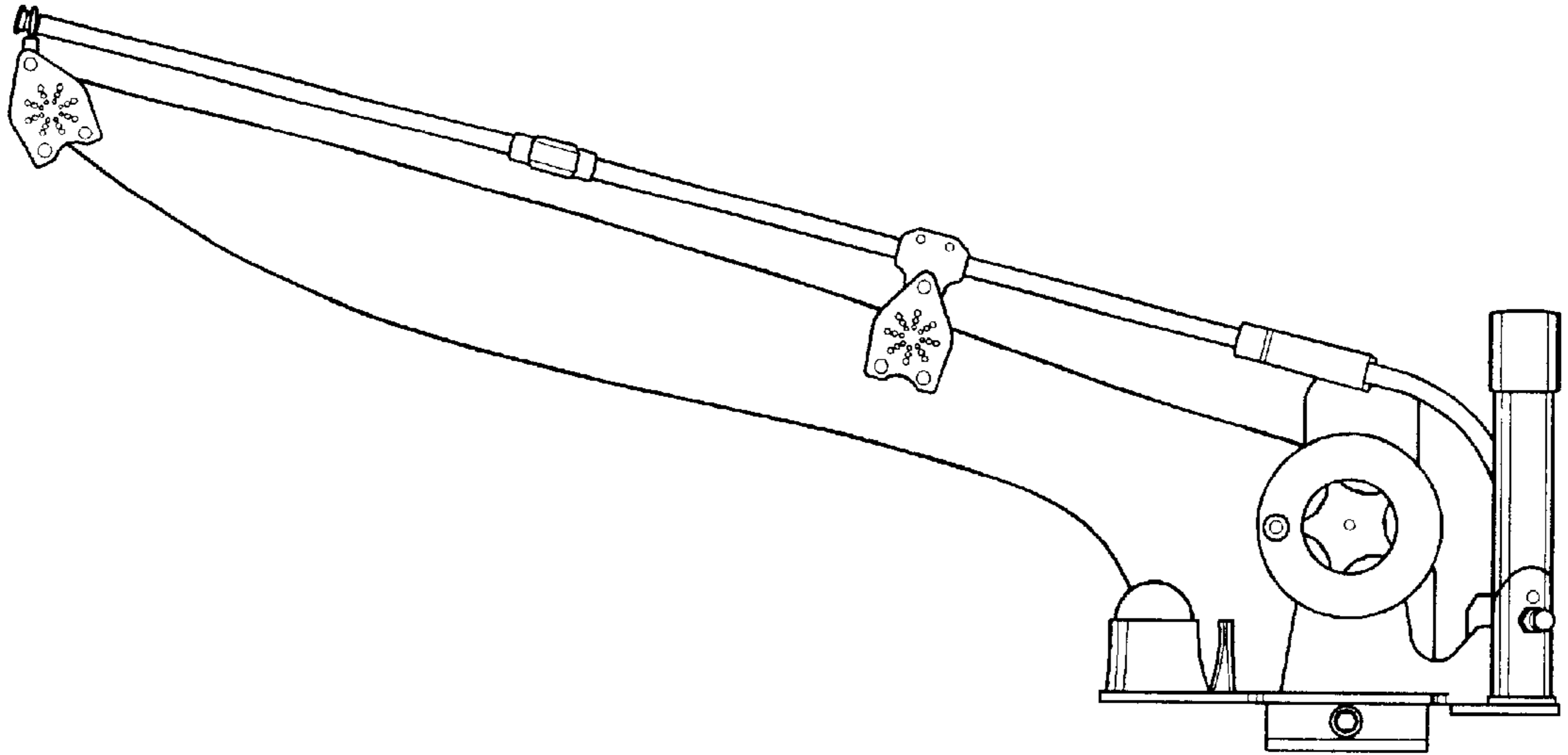


Fig-2

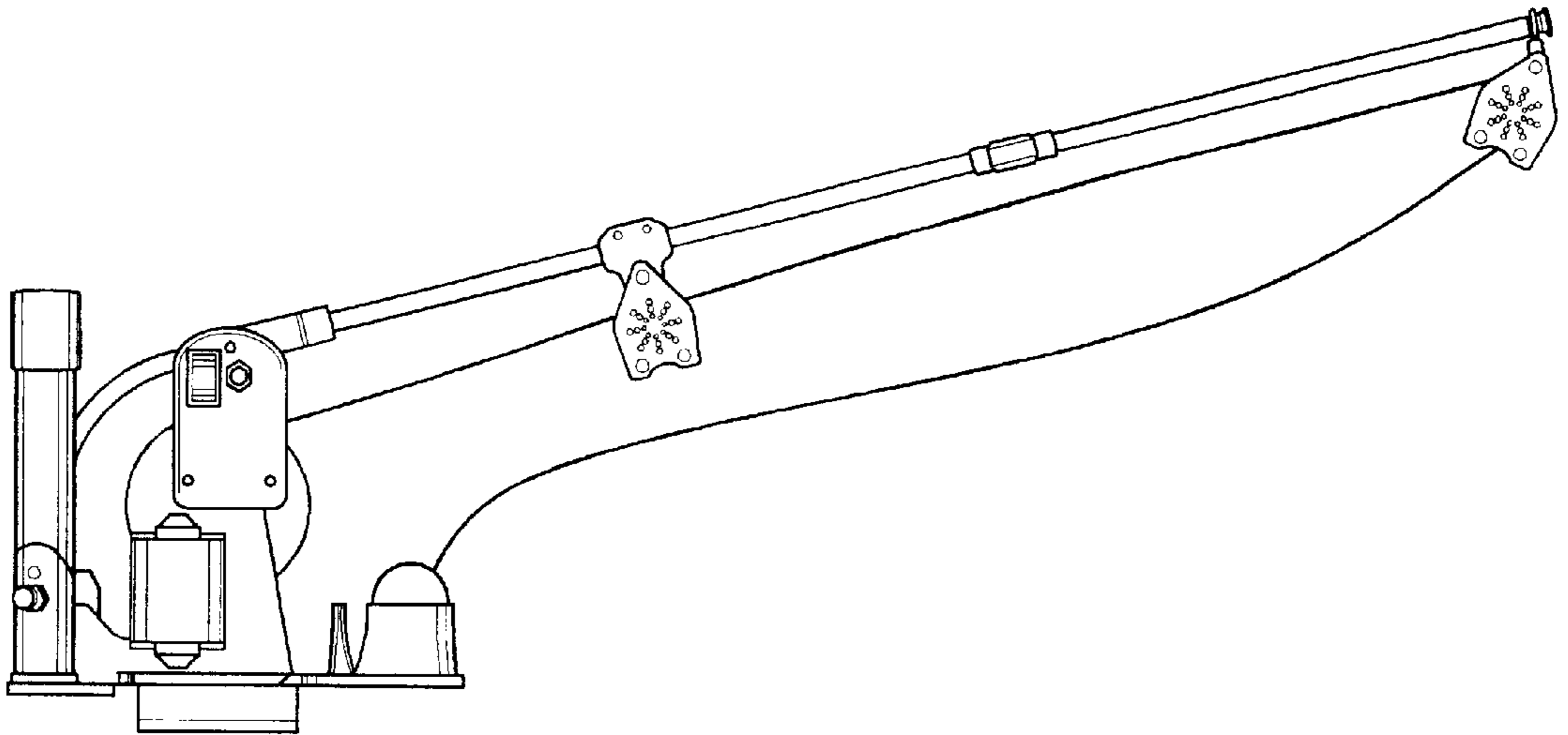


Fig-3

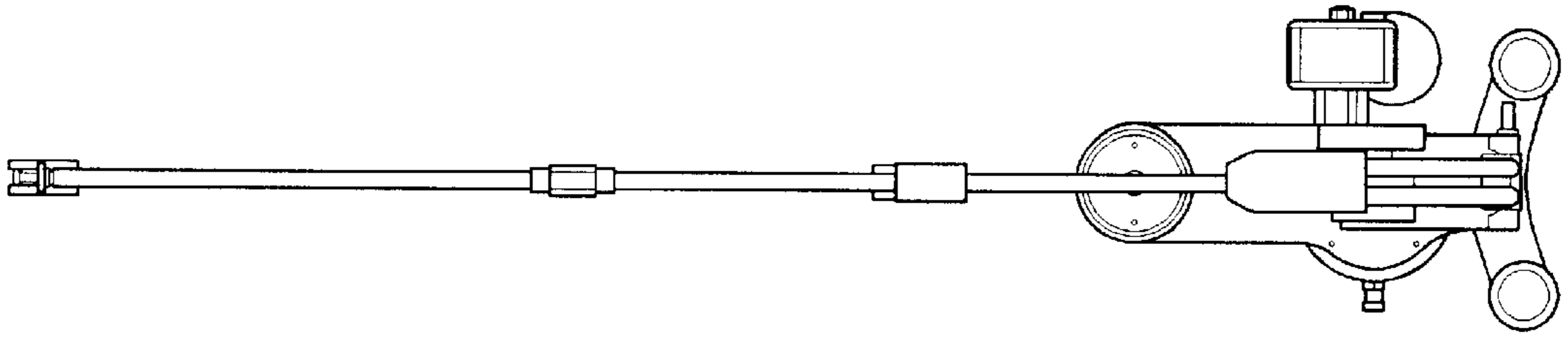


Fig-4

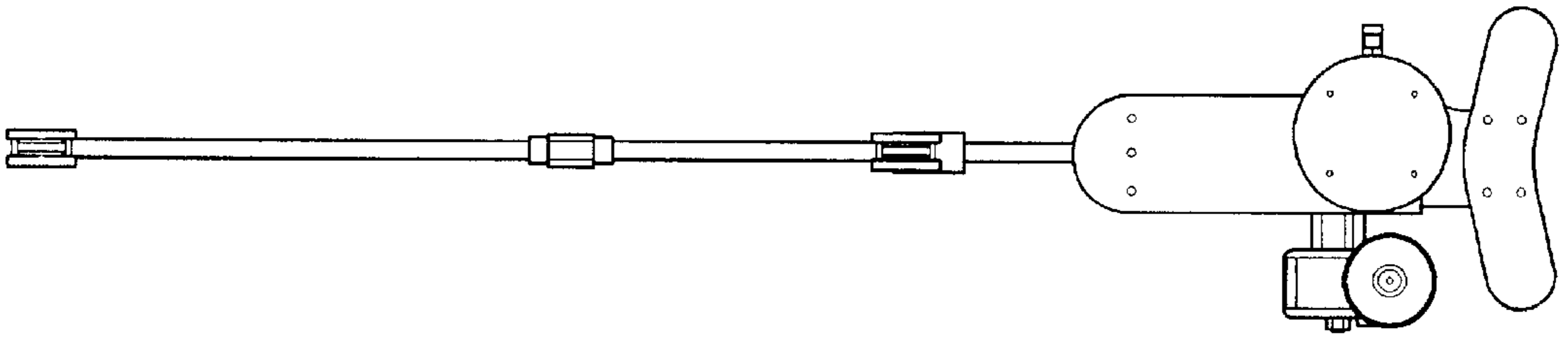


Fig-5

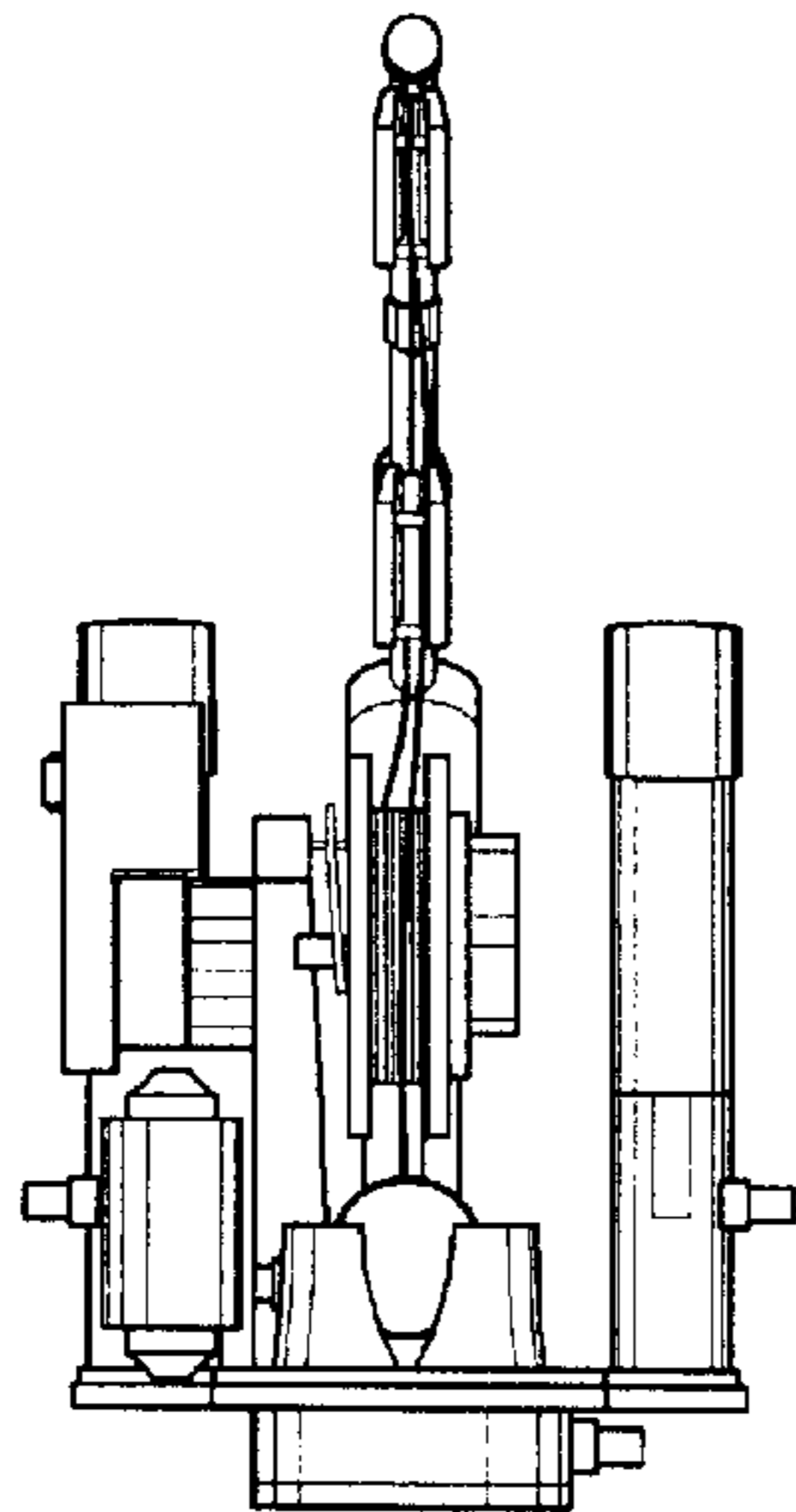


Fig-6

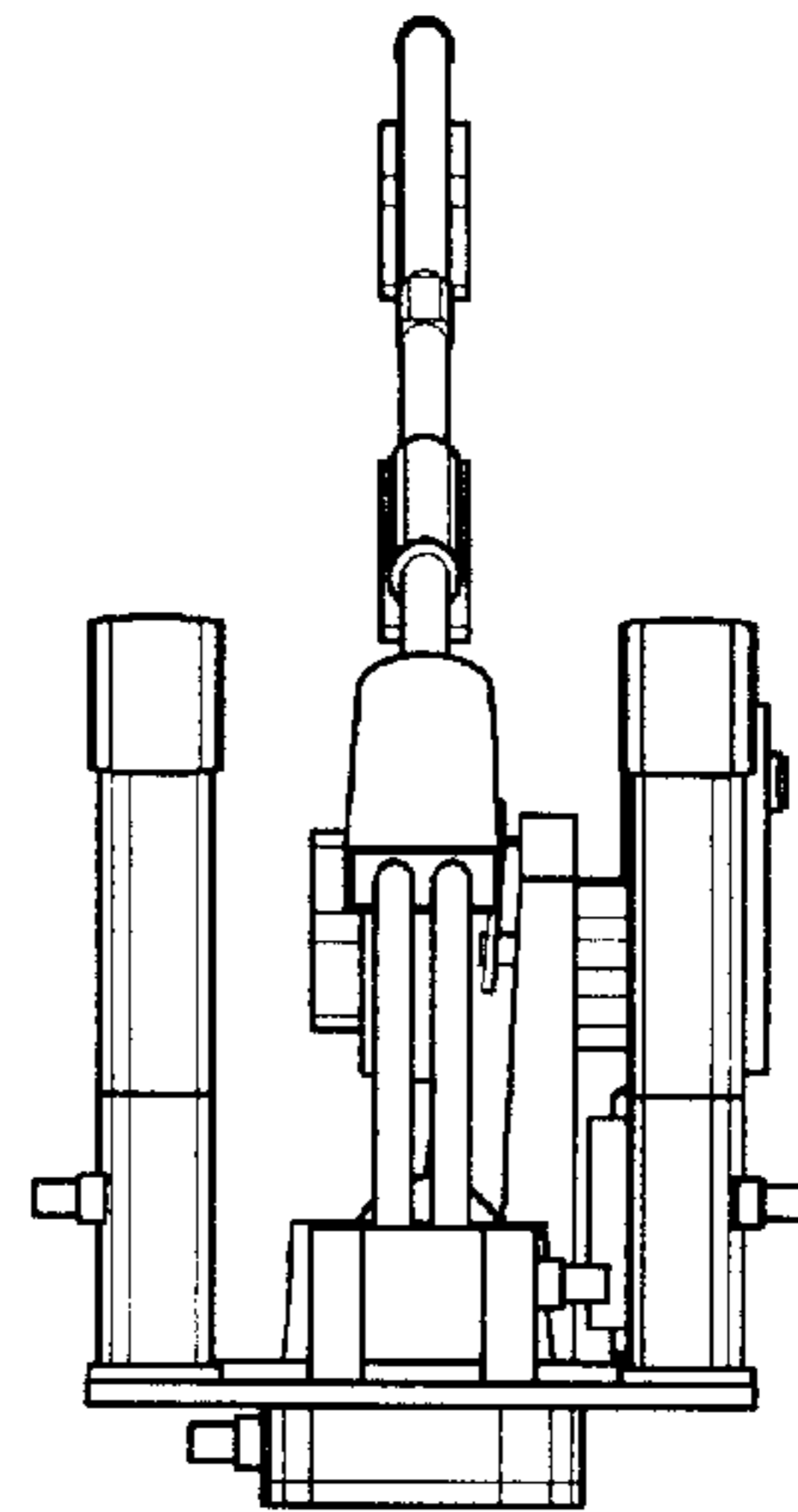


Fig-7