



US00D456750S

(12) **United States Design Patent**
McWilliams et al.

(10) **Patent No.:** **US D456,750 S**

(45) **Date of Patent:** **** May 7, 2002**

(54) **AXLE ADJUSTER PLATE FOR MOTORCYCLES**

(76) Inventors: **Peter J. McWilliams; Claudine R. McWilliams**, both of 608 Paseo de Cortage, Camarillo, CA (US) 93010

(**) Term: **14 Years**

(21) Appl. No.: **29/144,290**

(22) Filed: **Jul. 2, 2001**

(51) **LOC (7) Cl.** **12-11**

(52) **U.S. Cl.** **D12/114**

(58) **Field of Search** D12/110, 114, D12/126; 180/213, 219; 301/110.5, 111.01-111.07; 74/608; 280/288.4, 152.1-152.3, 274, 275, 276, 277, 278, 279, 287, 288, 304.3

(56) **References Cited**
PUBLICATIONS

Custom Chrome 1999 catalog, axle adjusters on p. 14.28.*
Drag Specialties 1995 catalog, axle adjusters and slider plates on p. 557.*

* cited by examiner

Primary Examiner—Alan P. Douglas
Assistant Examiner—Linda Brooks
(74) *Attorney, Agent, or Firm*—Jack C. Munro

(57) **CLAIM**

The ornamental design for an axle adjuster plate for motorcycles, as shown and described.

DESCRIPTION

FIG. 1 is an isometric view of the axle adjuster plate for motorcycles showing our new design;

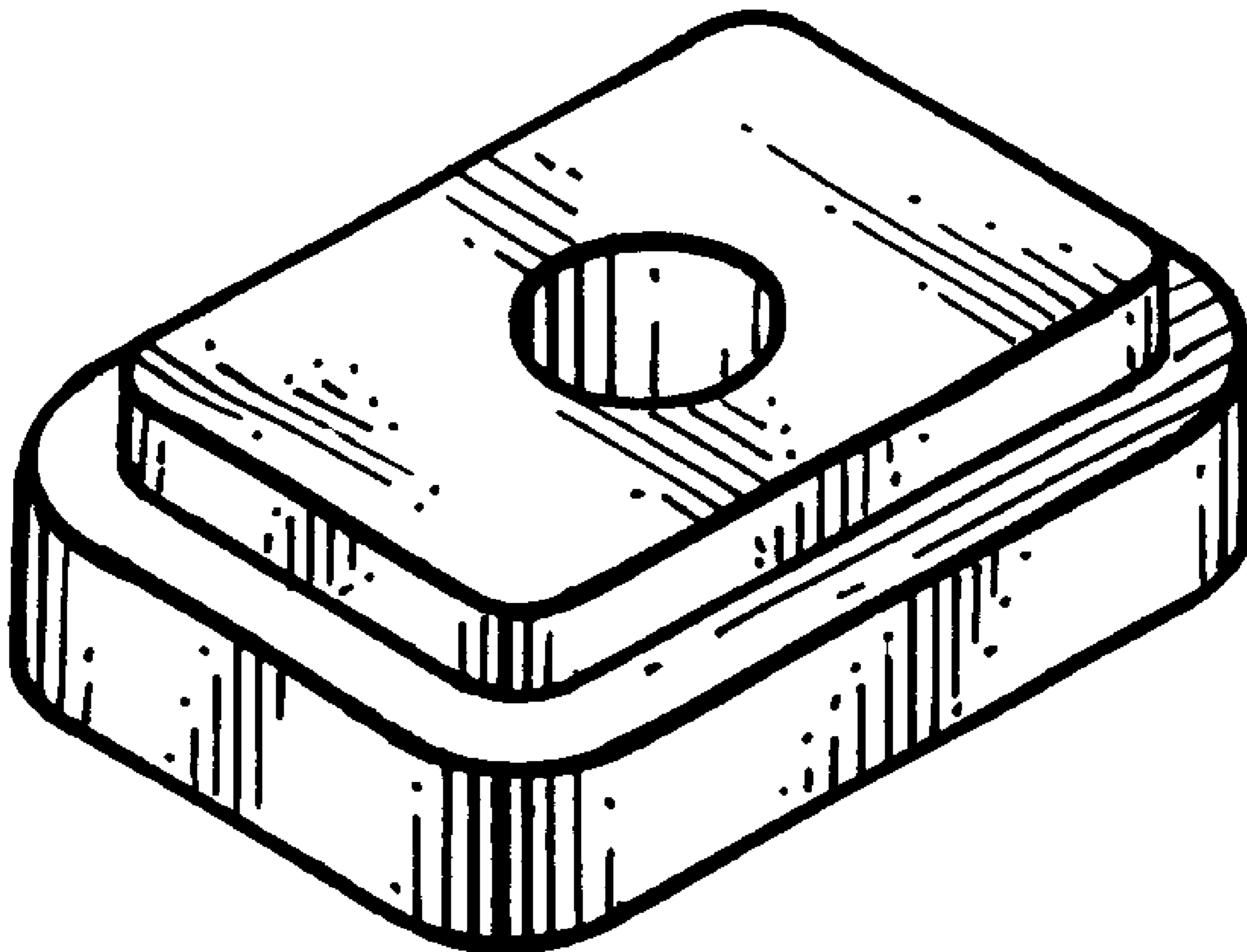
FIG. 2 is a front elevational view thereof;

FIG. 3 is a top plan view thereof with the bottom plan view being identical;

FIG. 4 is a right side elevational view thereof with the left side elevational view being identical; and,

FIG. 5 is a rear elevational view thereof.

1 Claim, 1 Drawing Sheet



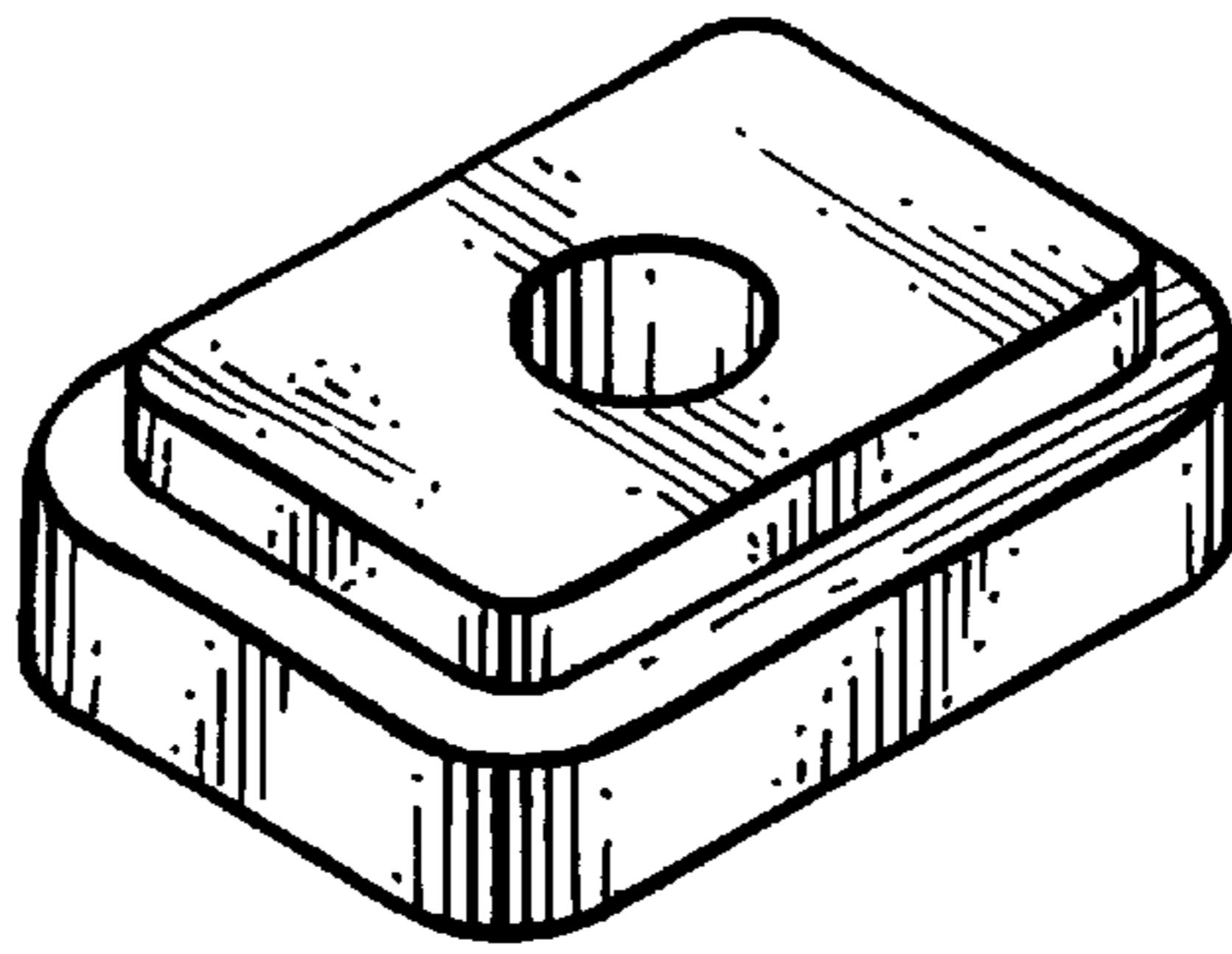


Fig. 1.

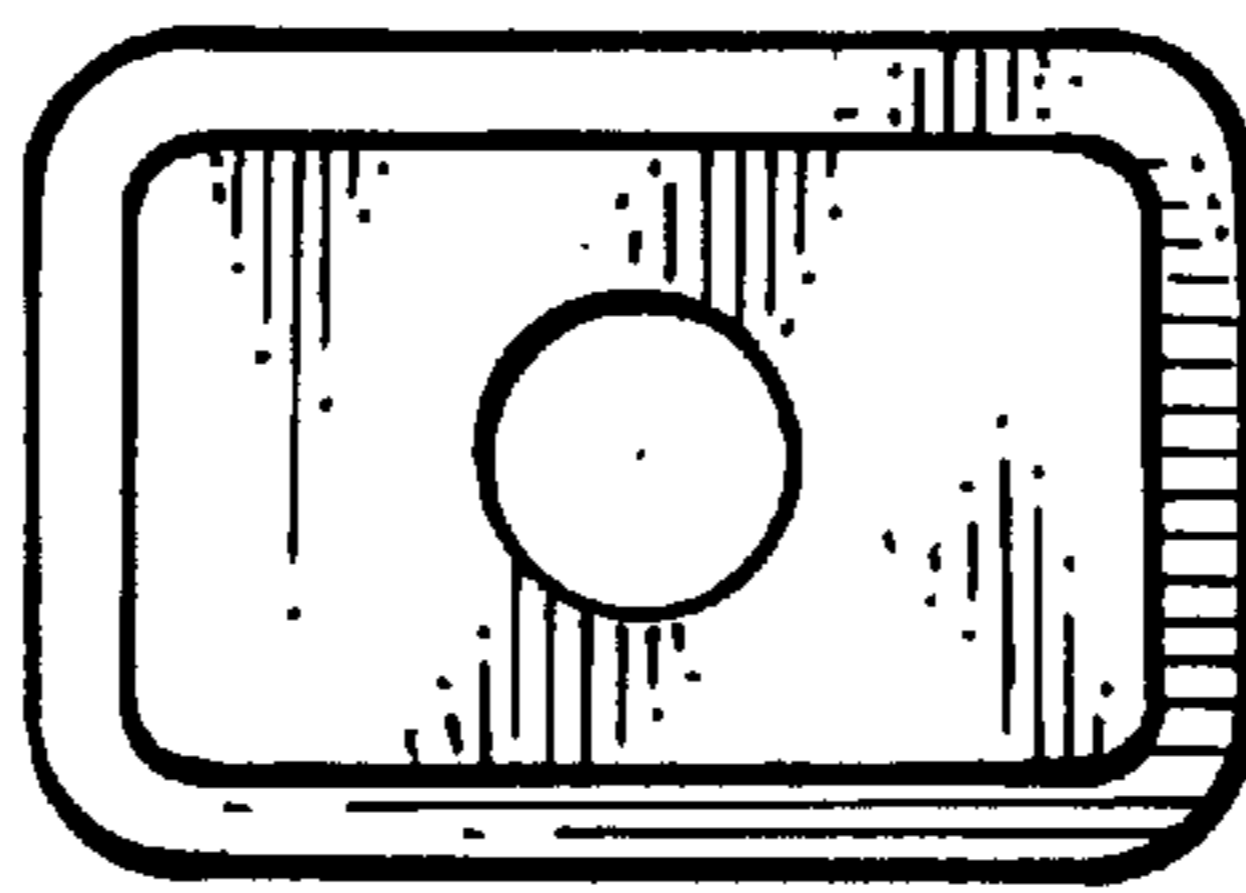


Fig. 2.

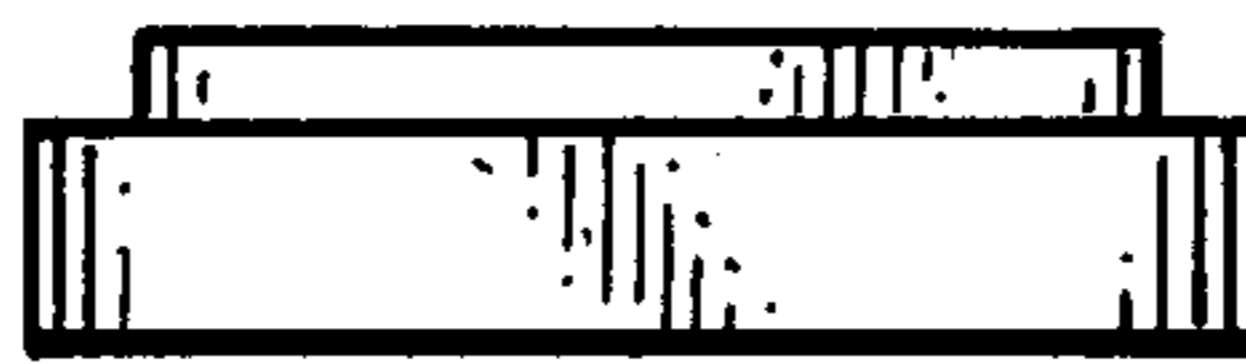


Fig. 3.



Fig. 4.

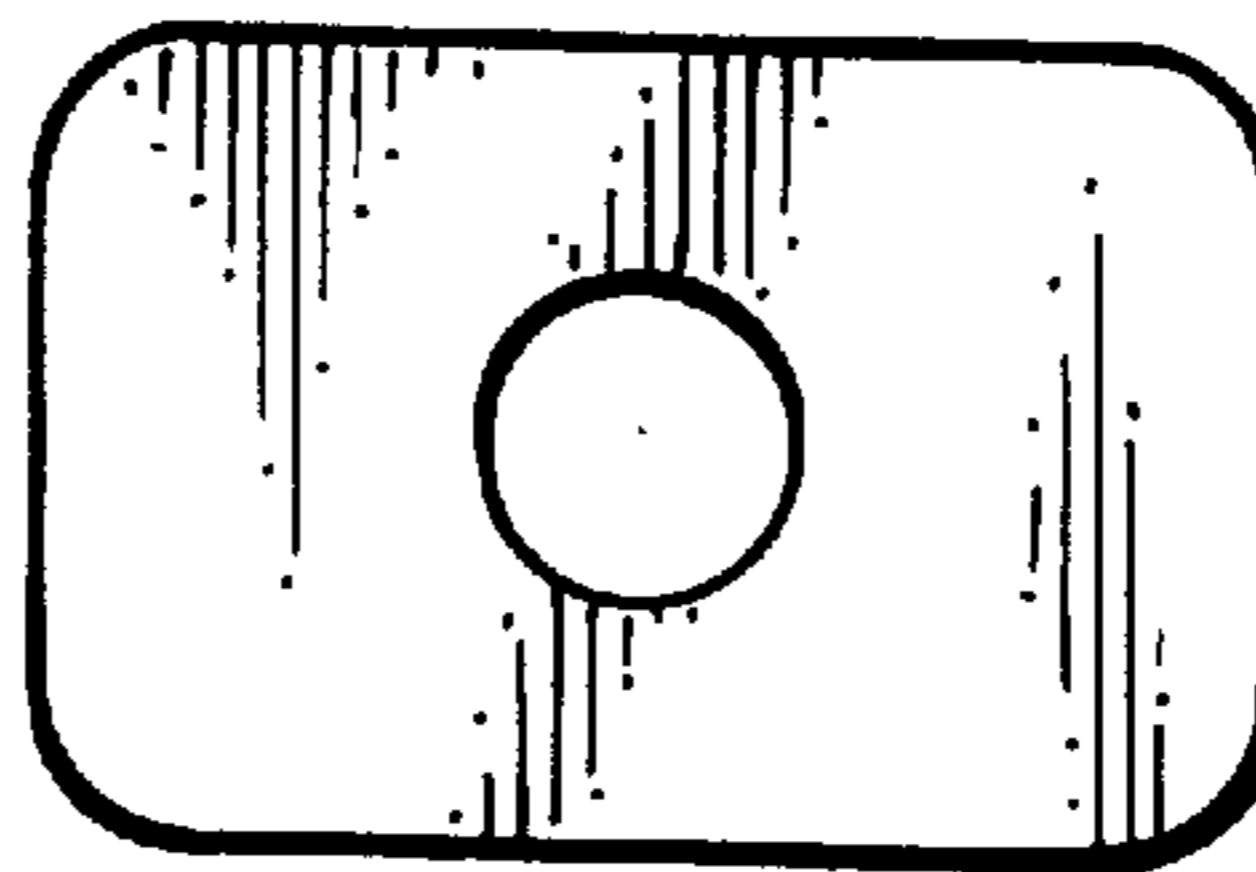


Fig. 5.