



US00D456745S

(12) **United States Design Patent**
Cheng

(10) **Patent No.:** **US D456,745 S**

(45) **Date of Patent:** **** May 7, 2002**

(54) **ELECTRIC SCOOTER**

(75) Inventor: **Ming-Chuan Cheng**, Taichung (TW)

(73) Assignee: **Merits Health Products Co., Ltd.**,
Taichung (TW)

(**) Term: **14 Years**

(21) Appl. No.: **29/143,397**

(22) Filed: **Jun. 14, 2001**

(51) **LOC (7) Cl.** **12-08**

(52) **U.S. Cl.** **D12/85**

(58) **Field of Search** D12/85, 1; 280/165;
180/65.1, 211, 215, 216, 231, 907

(56) **References Cited**

U.S. PATENT DOCUMENTS

D381,293 S * 7/1997 Cheng D12/1
D395,413 S * 6/1998 Wu D12/1

D430,063 S * 8/2000 Rutberg D12/85
D449,017 S * 10/2001 Tsai D12/85

* cited by examiner

Primary Examiner—Melody N. Brown

(74) *Attorney, Agent, or Firm*—Bacon & Thomas, PLLC

(57) **CLAIM**

The ornamental design for an electric scooter, as shown.

DESCRIPTION

FIG. 1 is a perspective view of an electric scooter, showing my new design;
FIG. 2 is a front elevational view thereof;
FIG. 3 is a rear elevational view thereof;
FIG. 4 is a left side elevational view thereof;
FIG. 5 is a right side elevational view thereof;
FIG. 6 is a top plan view thereof; and,
FIG. 7 is a bottom plan view thereof.

1 Claim, 7 Drawing Sheets





FIG. 1

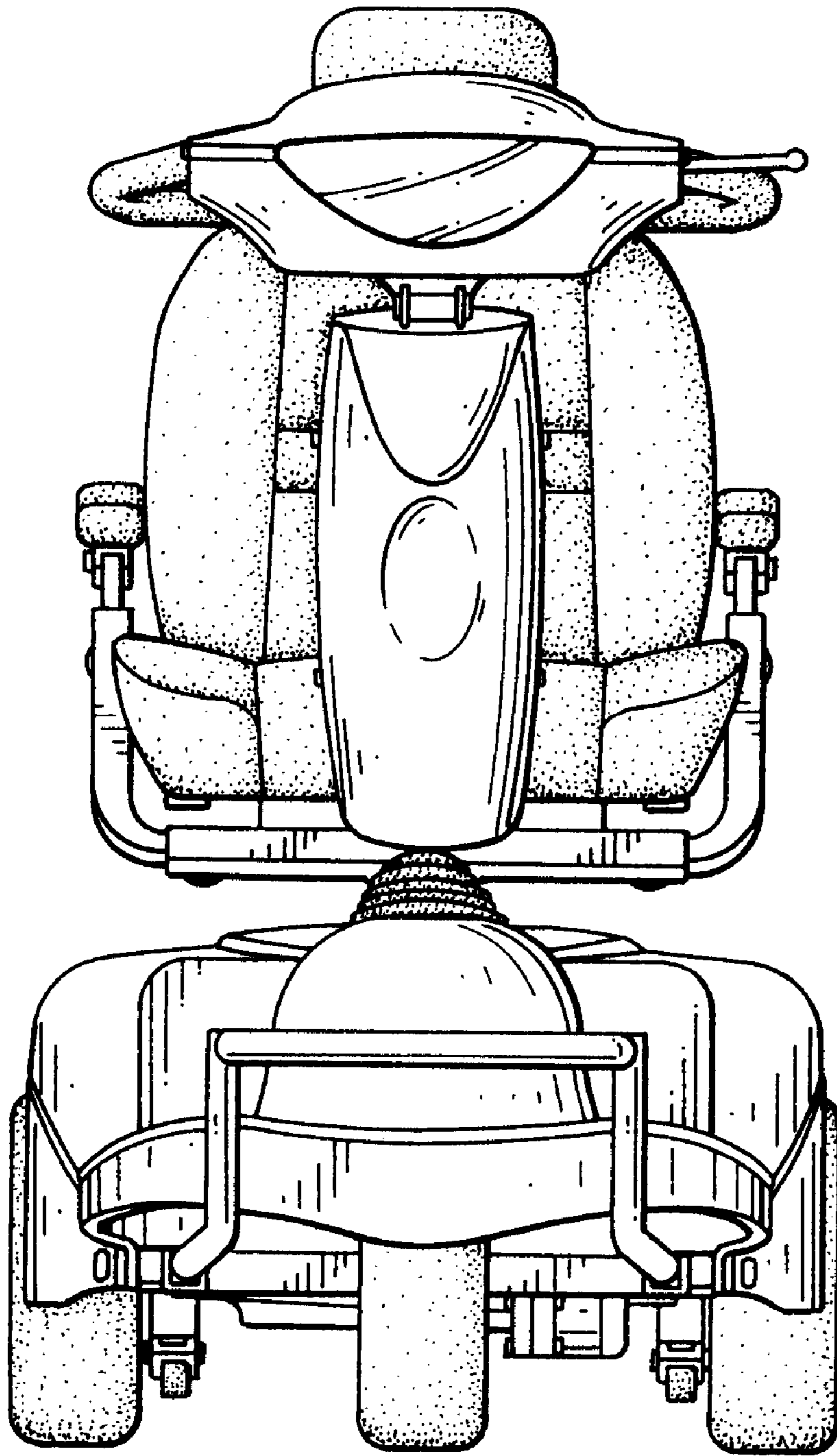


FIG. 2

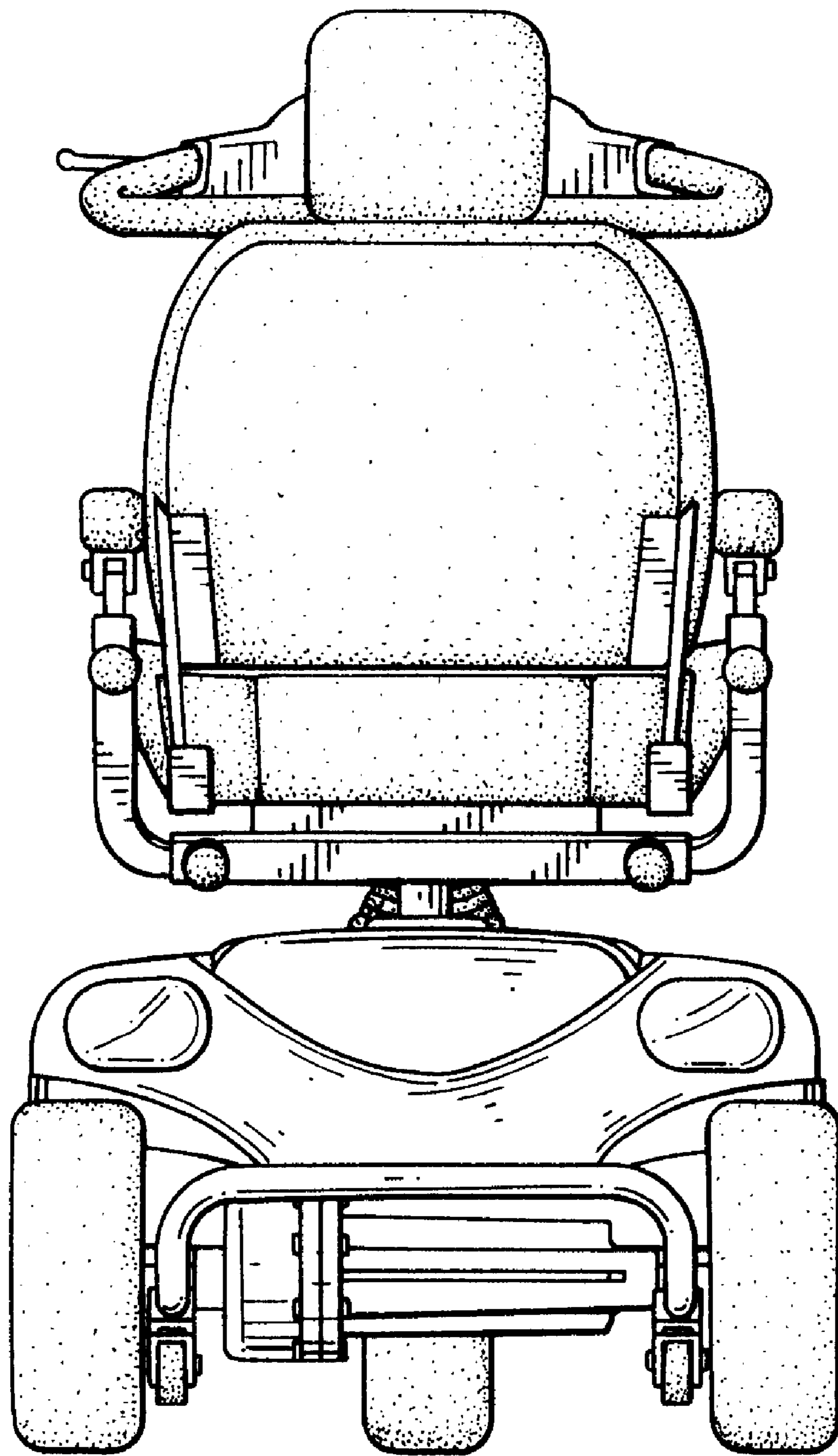


FIG. 3

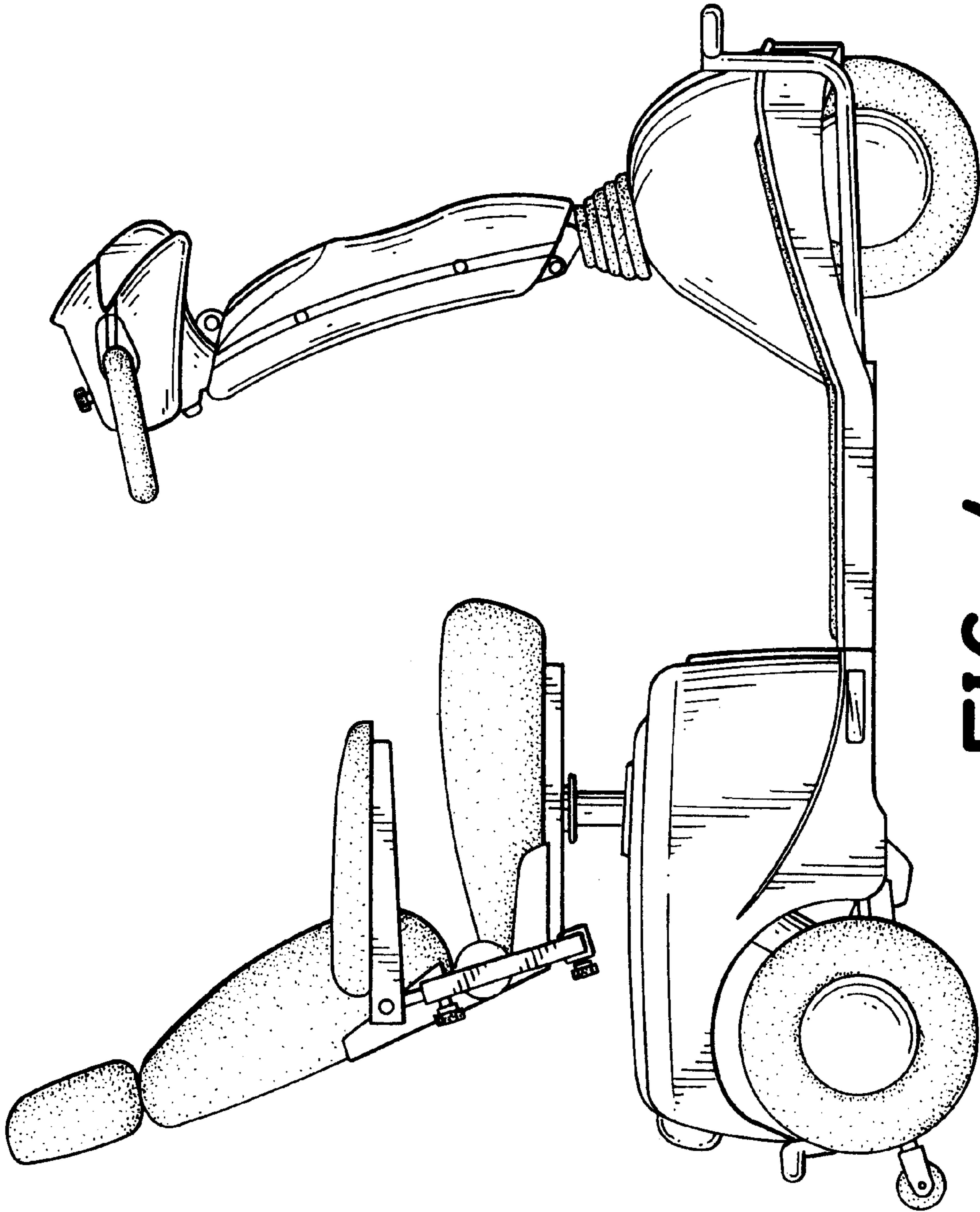


FIG. 4

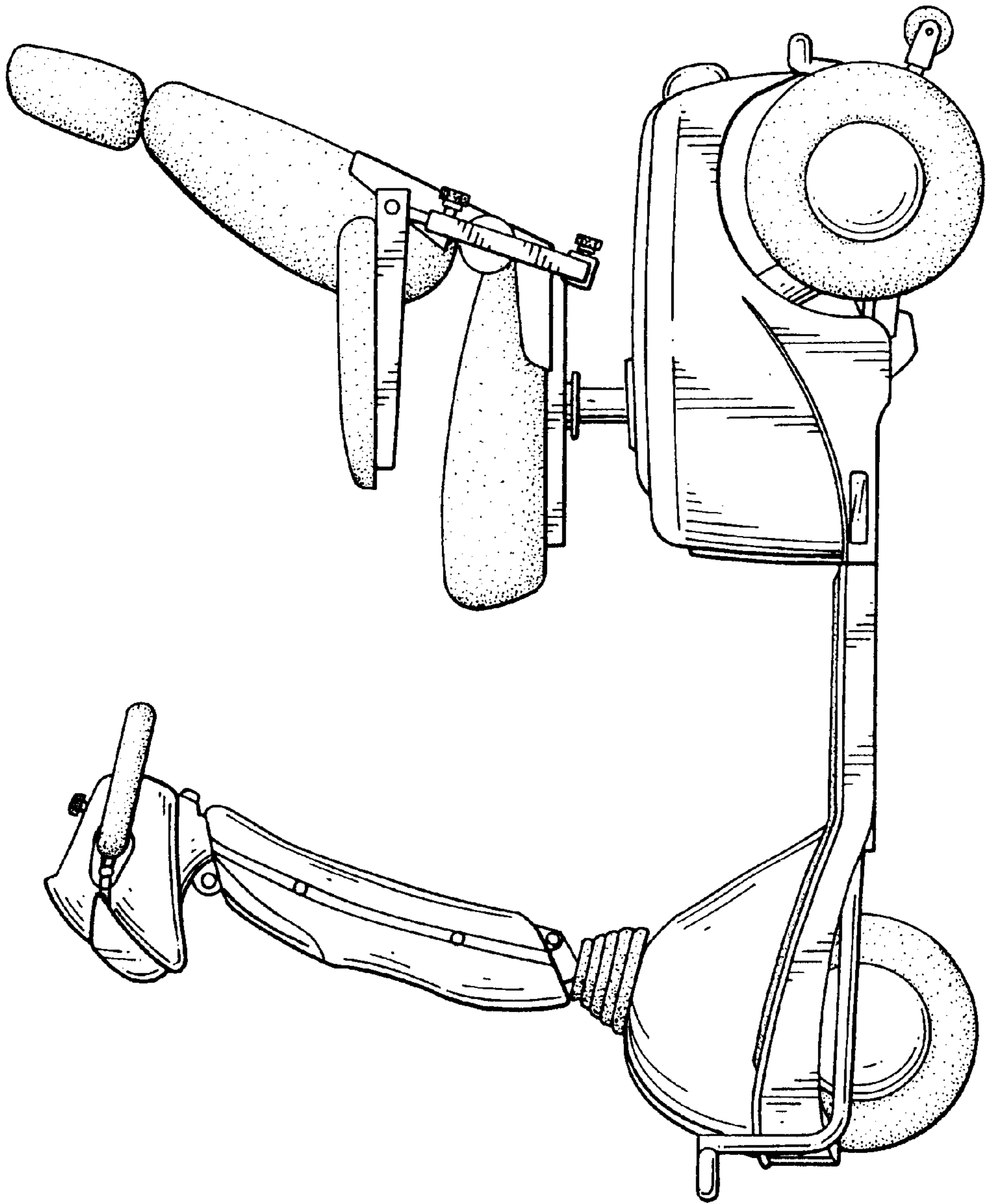


FIG. 5

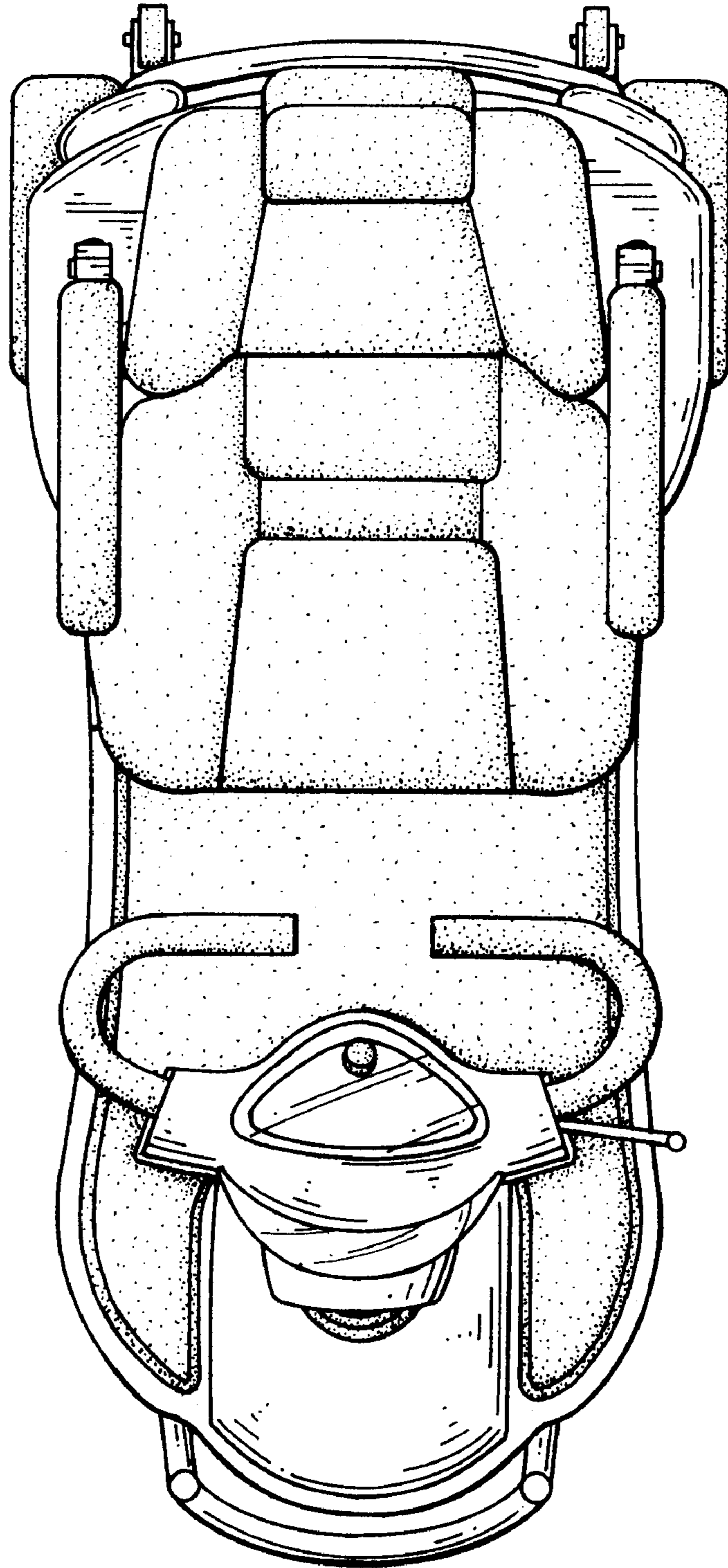


FIG. 6

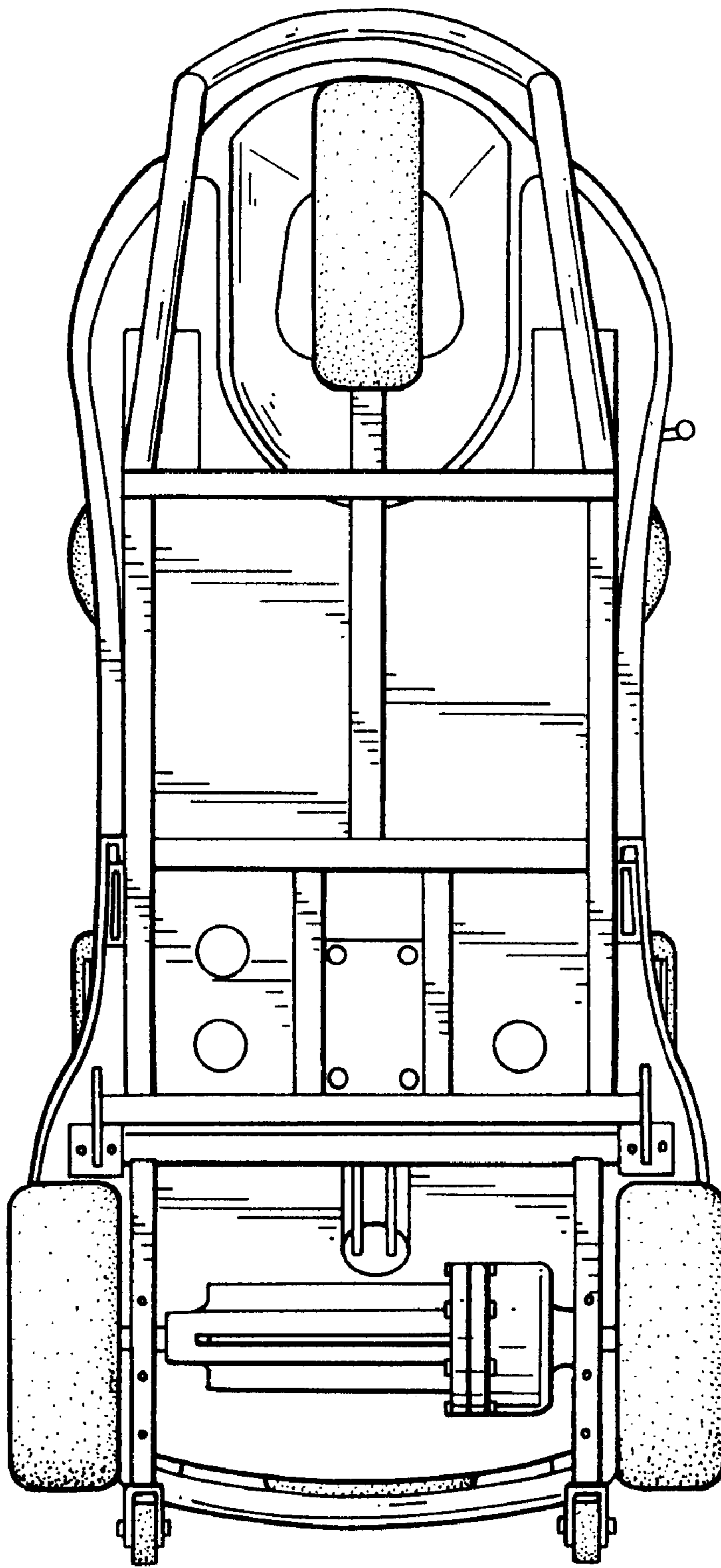


FIG. 7