



US00D456744S

(12) **United States Design Patent**
Shavel et al.

(10) **Patent No.:** **US D456,744 S**

(45) **Date of Patent:** **** May 7, 2002**

(54) **SUPPORT BRACKET**

(75) Inventors: **Henry Shavel**, Livingston; **Alan Tarnow**, South Orange, both of NJ (US)

(73) Assignee: **FRP* Corporation**, Millburn, NJ (US)

(**) Term: **14 Years**

(21) Appl. No.: **29/143,124**

(22) Filed: **Jun. 7, 2001**

(51) **LOC (7) Cl.** **12-03**

(52) **U.S. Cl.** **D12/51**

(58) **Field of Search** D8/349, 350, 354, D8/355, 356, 366, 377, 499, 394; 248/72, 200, 205.1, 223.31, 224.8, 229.12, 229.25, 73, 300; 191/32, 30, 31, 25; 16/95 R; 238/379, 331; D12/51

(56) **References Cited**

U.S. PATENT DOCUMENTS

525,945 A * 9/1894 Creighton 238/379
723,115 A * 3/1903 Wood 191/32
2,202,336 A * 5/1940 Chmura 238/379
D211,606 S * 7/1968 Harmsen D12/51

3,614,340 A * 10/1971 Harmsen 191/32
3,735,845 A * 5/1973 Harmsen 191/32
4,318,462 A 3/1982 Weinhaus 191/30
D352,015 S * 11/1994 Esworthy D12/51

* cited by examiner

Primary Examiner—Doris V. Coles

Assistant Examiner—Elizabeth A. Albert

(74) *Attorney, Agent, or Firm*—Lerner, David, Littenberg, Krumholz & Mentlik, LLP

(57) **CLAIM**

The ornamental design for a support bracket, as shown and described.

DESCRIPTION

FIG. 1 is a perspective view of a support bracket showing our new design;

FIG. 2 is a front elevational view, the rear elevational view being a mirror image;

FIG. 3 is a top plan view;

FIG. 4 is a right side elevational view;

FIG. 5 is a left side elevational view; and,

FIG. 6 is a bottom plan view.

The broken lines shown in the drawings are for illustration purpose only and form no part of the claimed design.

1 Claim, 3 Drawing Sheets

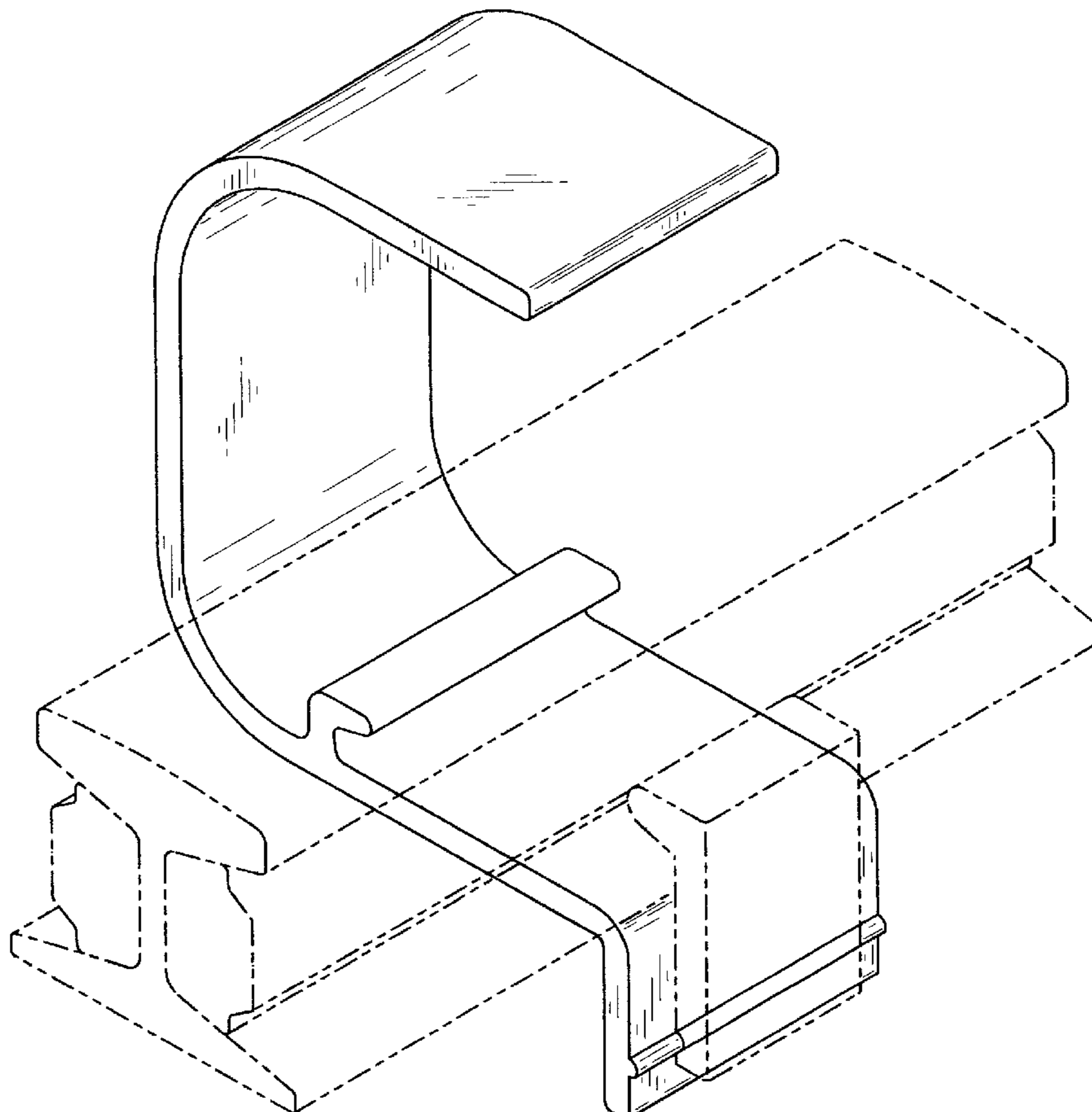


FIG. 1

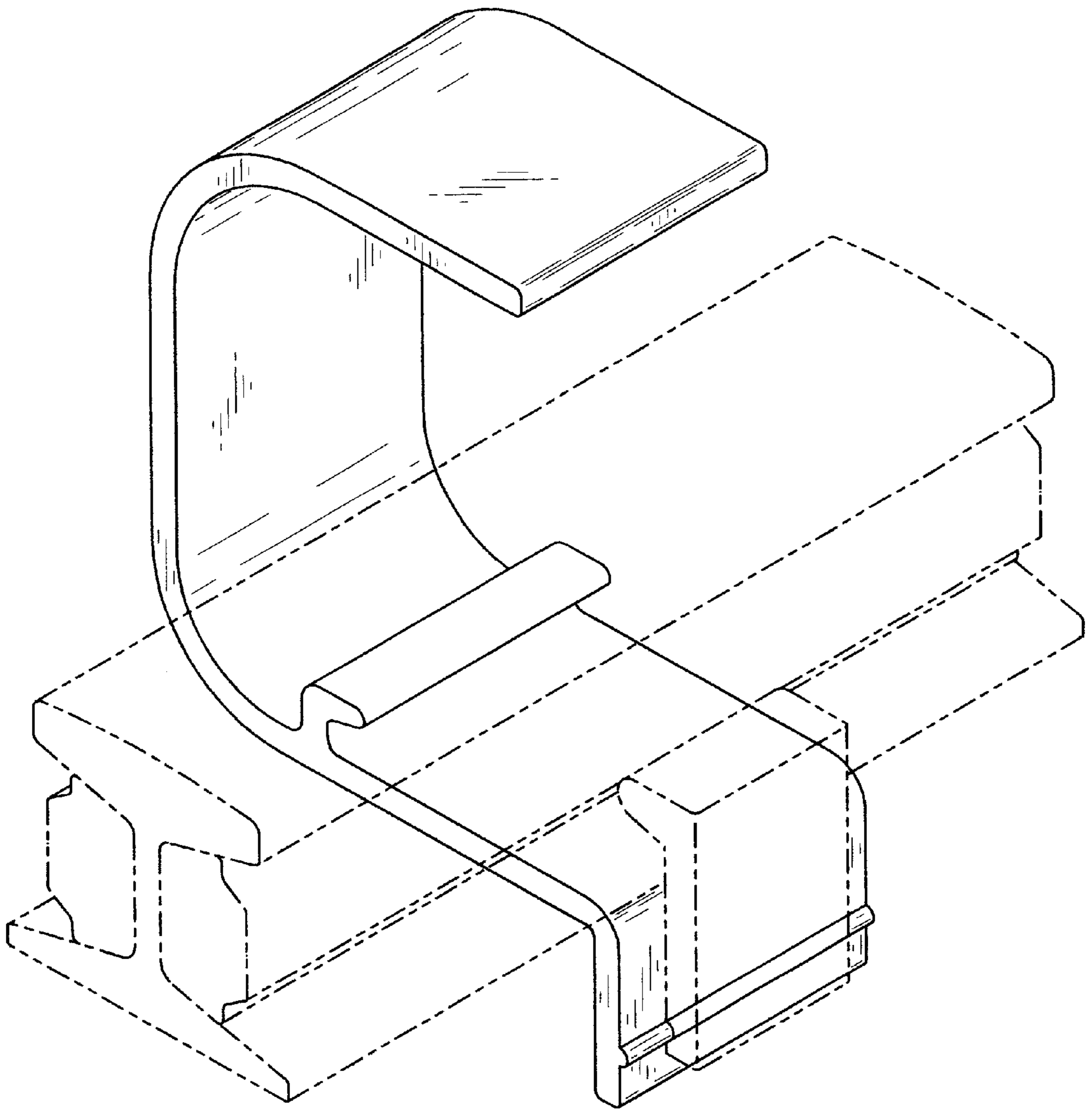


FIG. 2

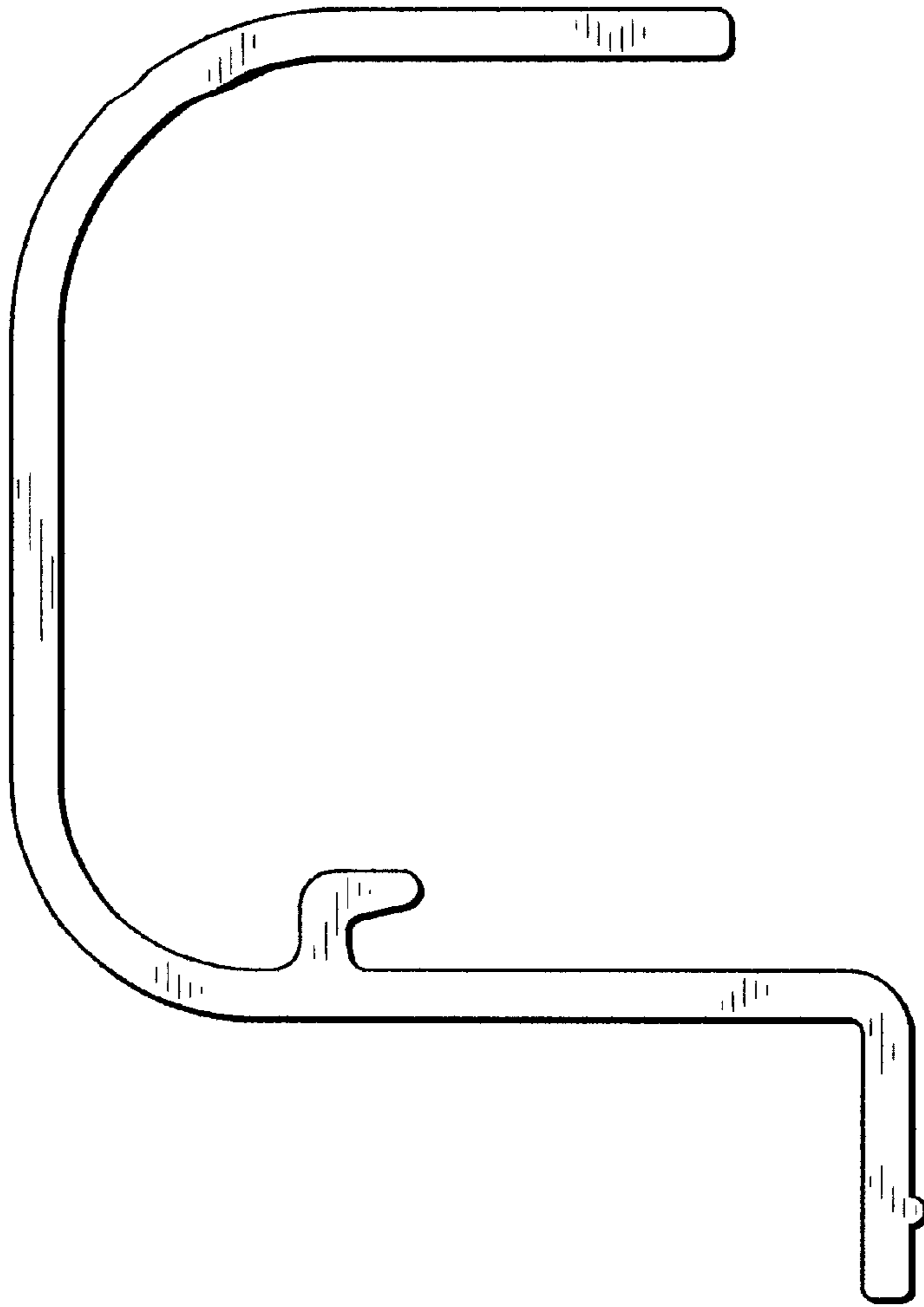


FIG. 3

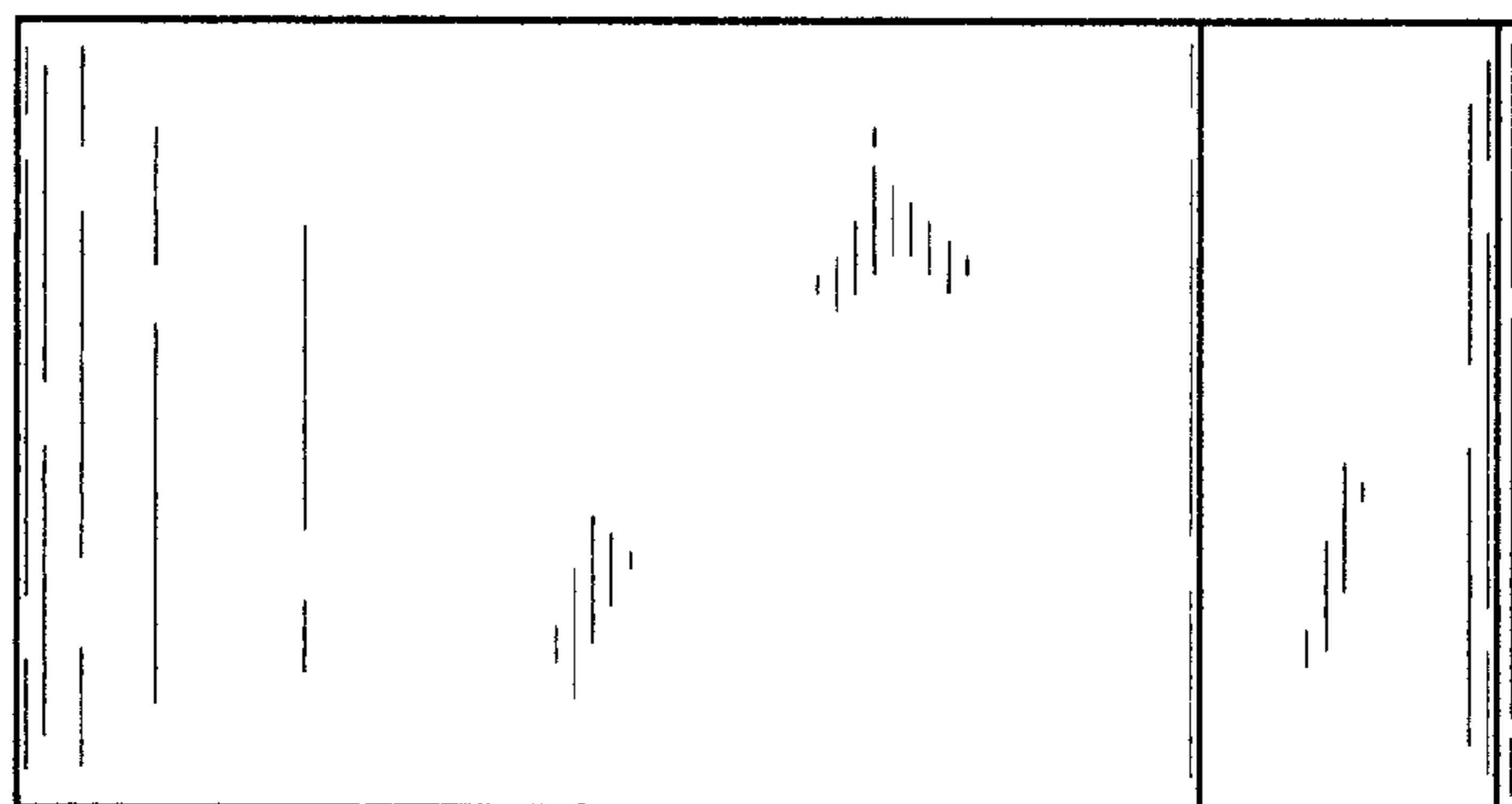


FIG. 4

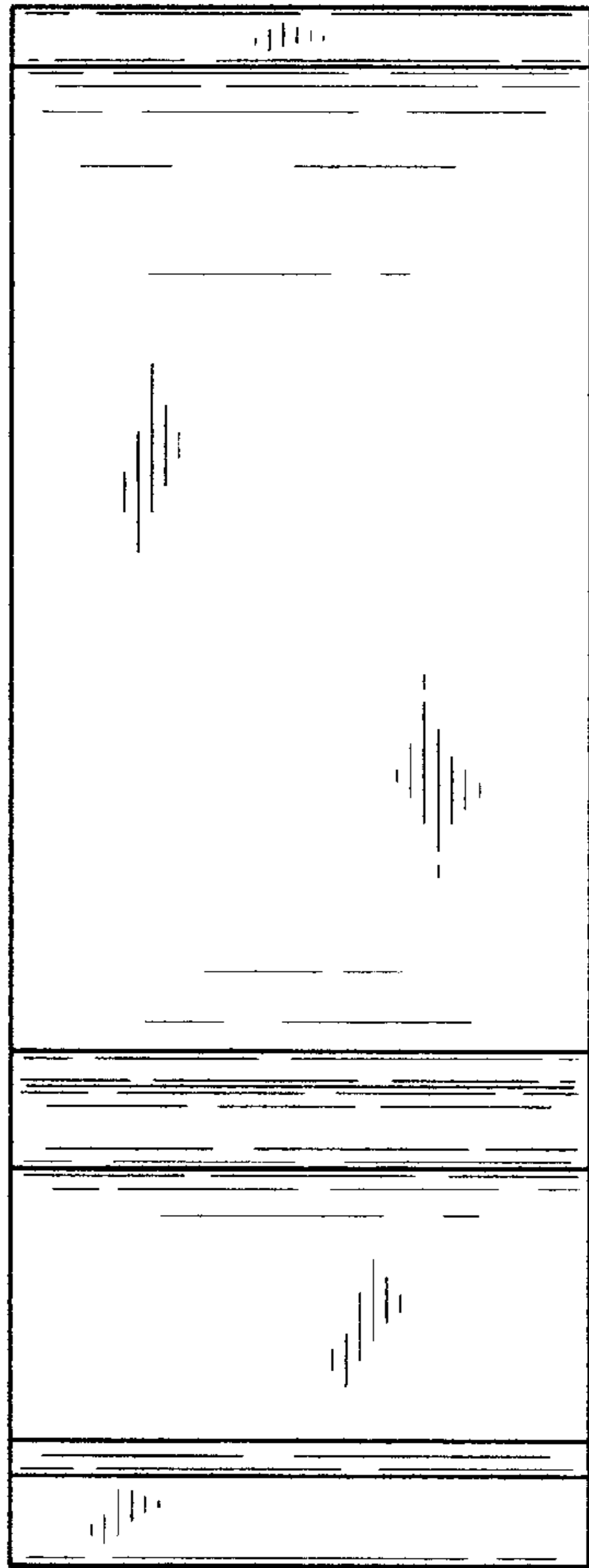


FIG. 5



FIG. 6

