



US00D456738S

(12) **United States Design Patent**
Rollins

(10) **Patent No.:** **US D456,738 S**

(45) **Date of Patent:** **** May 7, 2002**

(54) **HANGING SCULPTURED SELF-WATERING FLOWER POT**

(75) **Inventor:** **Ann G. Rollins**, Cherry Hill, NJ (US)

(73) **Assignee:** **The Violet Pot, LLC**, Cherry Hill, NJ (US)

(**) **Term:** **14 Years**

(21) **Appl. No.:** **29/145,119**

(22) **Filed:** **Jul. 17, 2001**

(51) **LOC (7) Cl.** **11-02**

(52) **U.S. Cl.** **D11/148; D11/154**

(58) **Field of Search** D11/143, 148, D11/152, 153, 154; 47/41.01, 65.5, 67, 68, 79; 206/423; 248/27.8

(56) **References Cited**

U.S. PATENT DOCUMENTS

D150,234 S * 7/1948 Katz D11/148
D224,413 S * 7/1972 Abuza et al. D11/153

D254,127 S * 2/1980 Sgroi D11/153
D299,217 S * 1/1989 Schoenborn D11/154
5,704,162 A * 1/1998 Holtkamp, Jr. 47/79
D390,499 S * 2/1998 Durham et al. D11/152

* cited by examiner

Primary Examiner—Doris V. Coles

Assistant Examiner—Mimosa De

(74) *Attorney, Agent, or Firm*—Norman E. Lehrer

(57) **CLAIM**

The ornamental design for a hanging sculptured self-watering flower pot, as shown and described.

DESCRIPTION

FIG. 1 is a front top perspective view of a “hanging sculptured self-watering flower pot” showing my new design;

FIG. 2 is a right side elevational view thereof, the left side elevational view being the mirror image thereof;

FIG. 3 is a top plan view thereof; and,

FIG. 4 is a bottom plan view thereof.

1 Claim, 2 Drawing Sheets

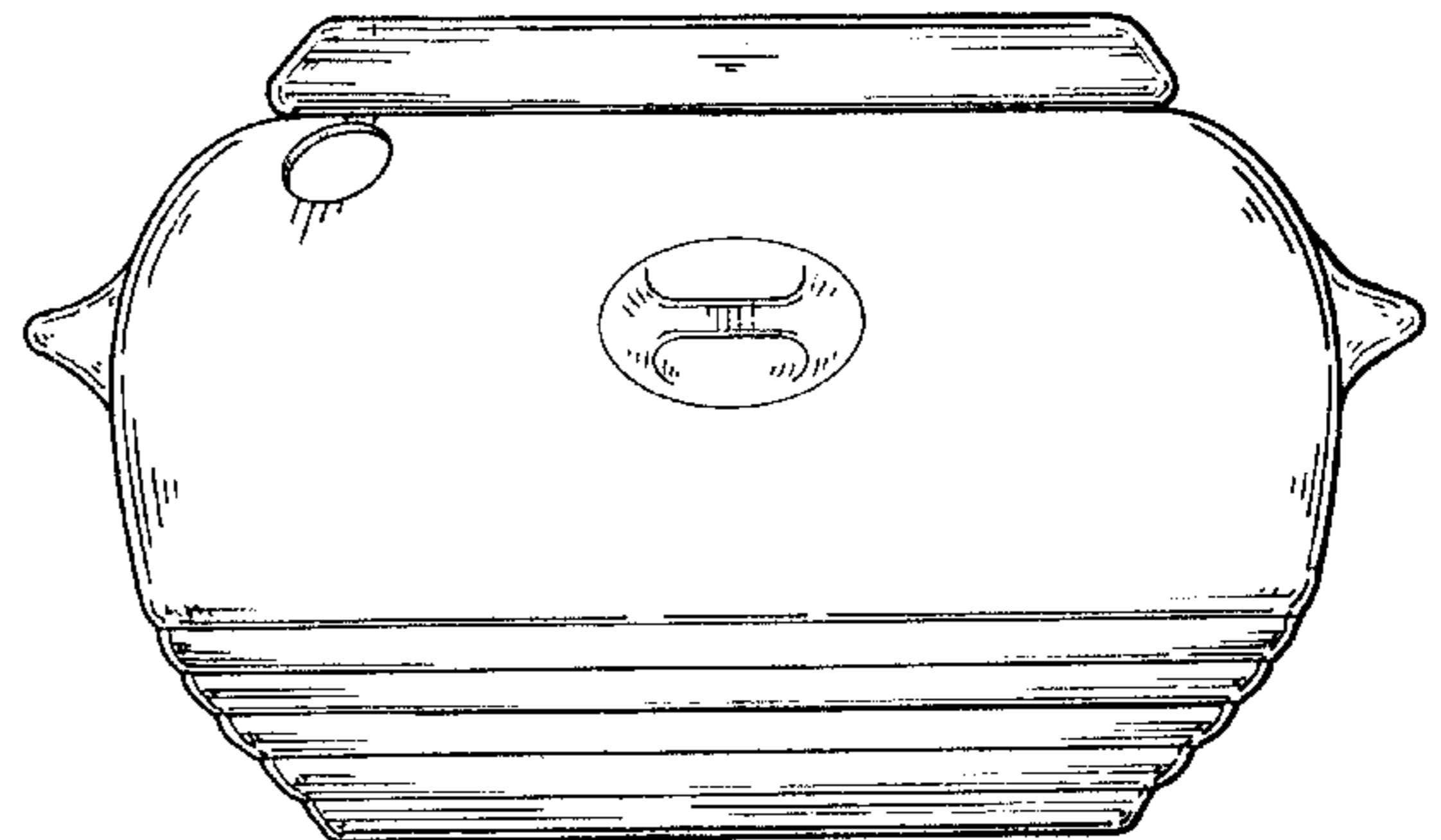
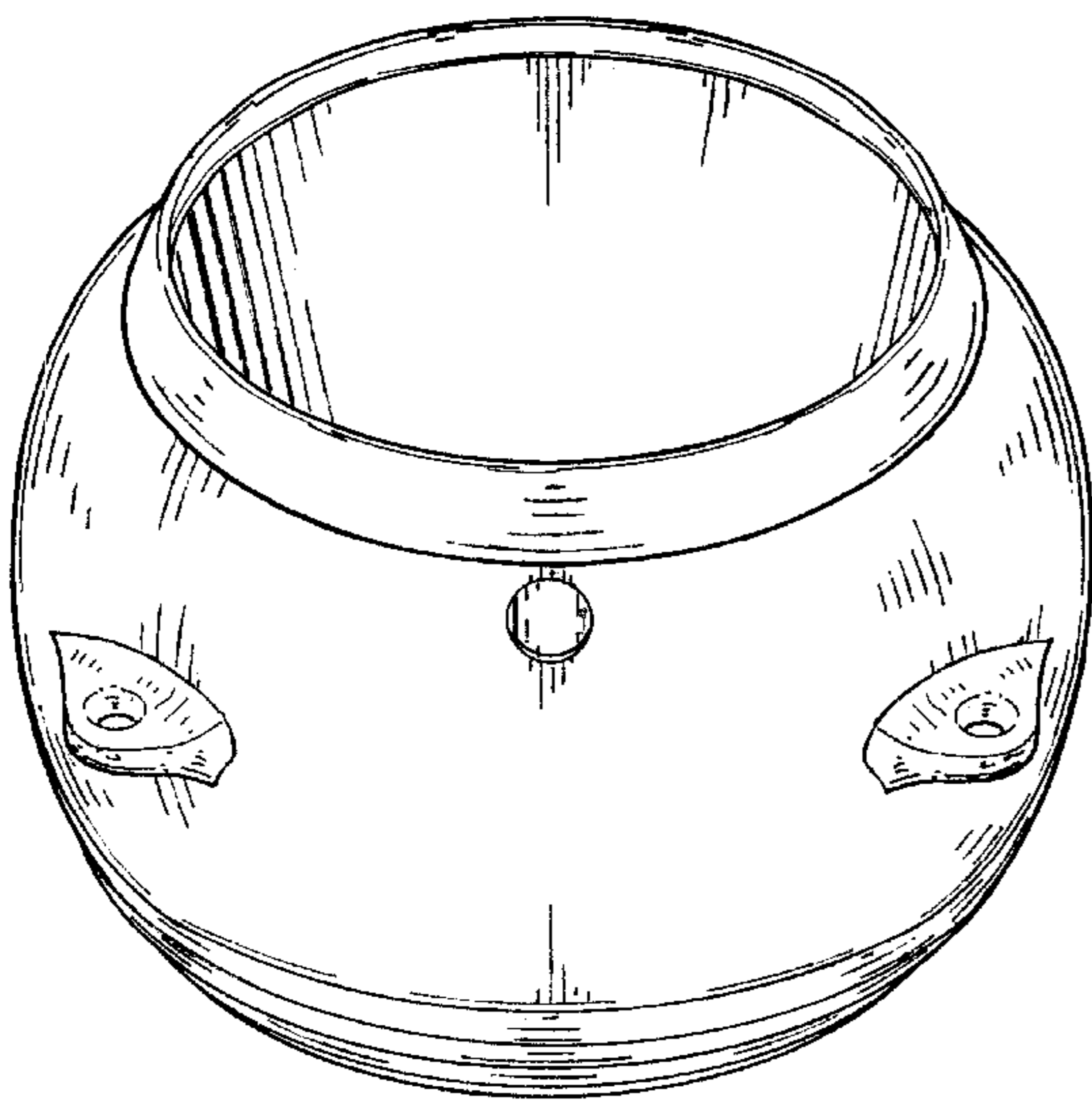


Fig. 1

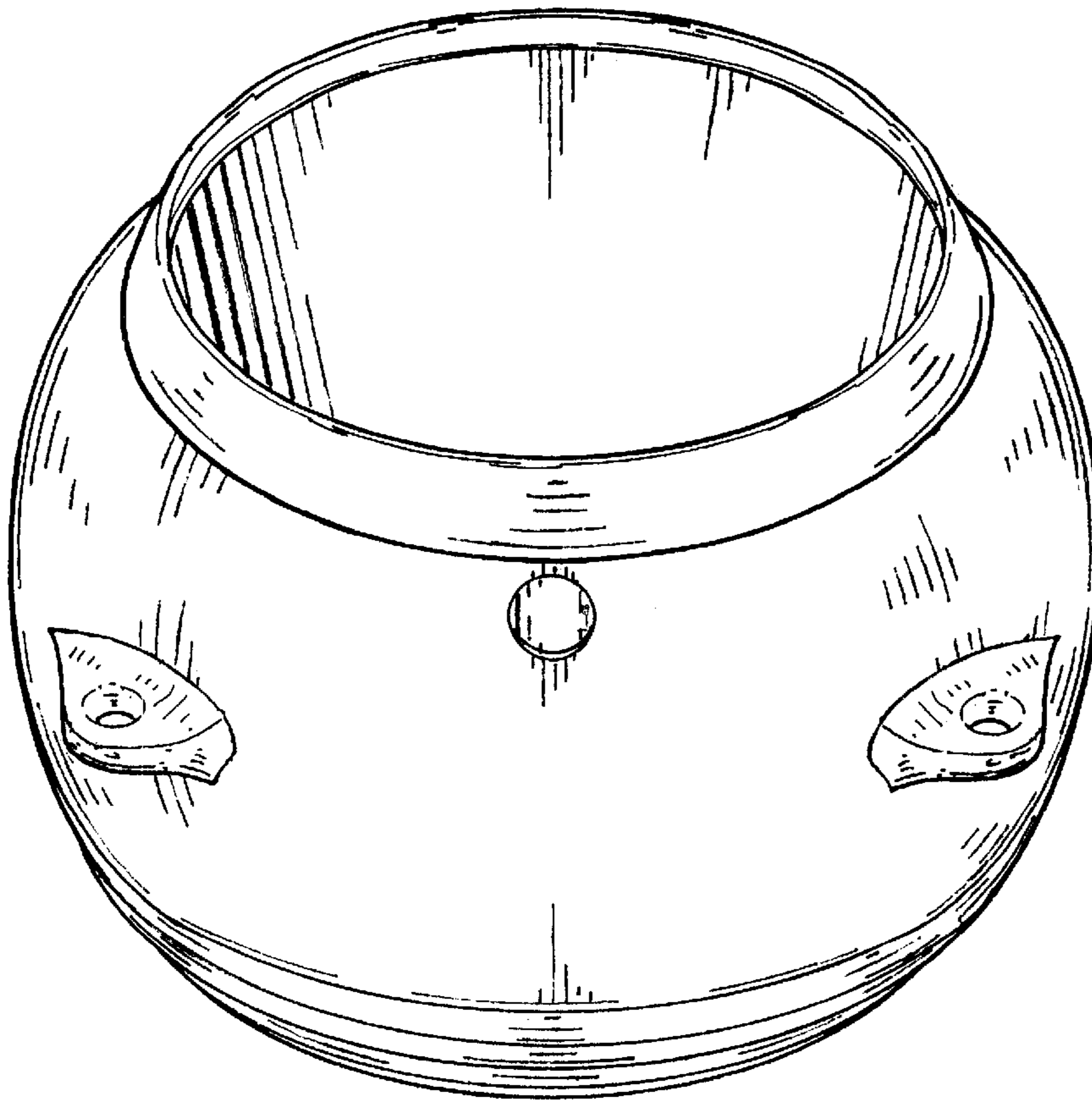


Fig. 2

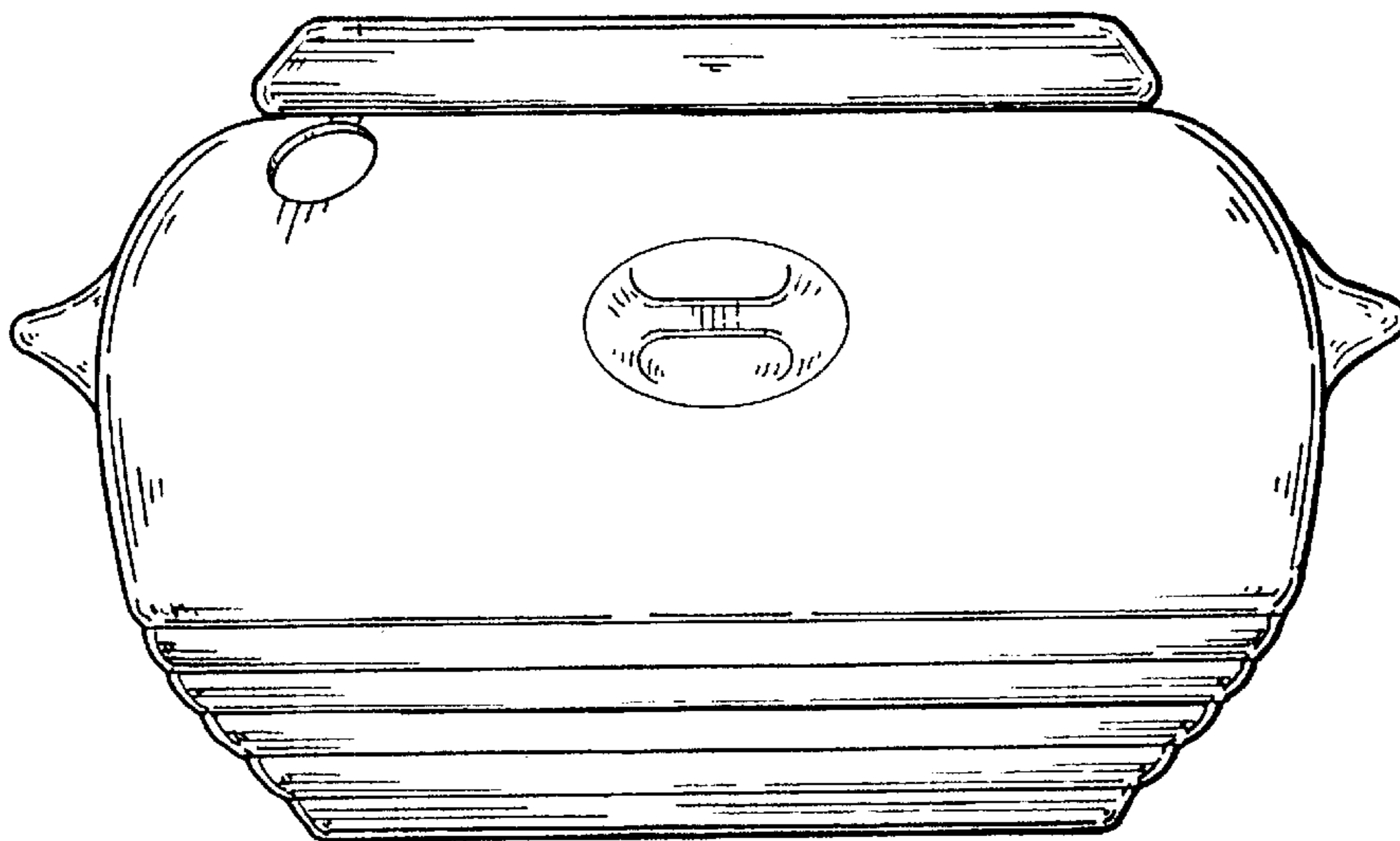


Fig. 3

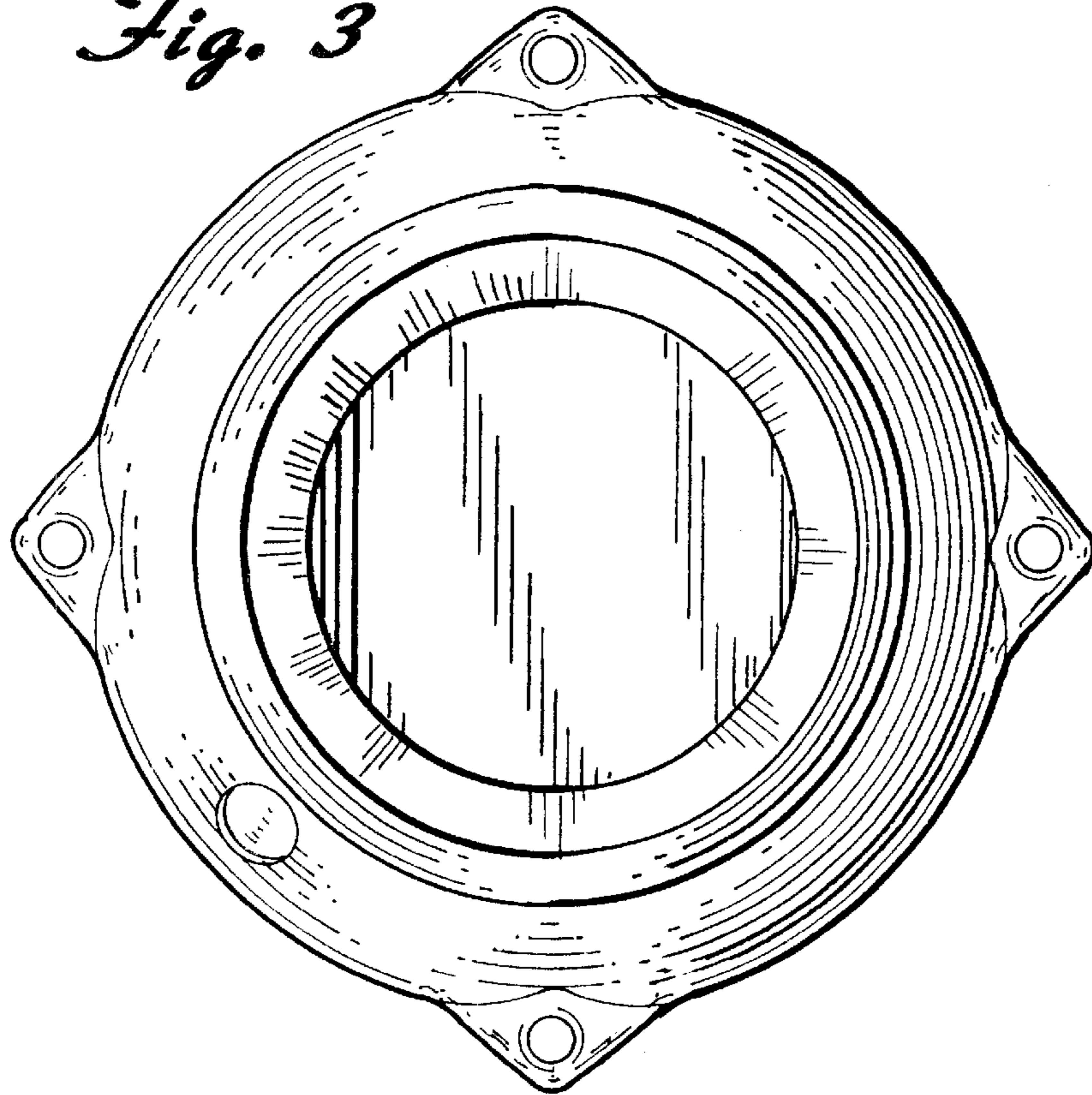


Fig. 4

