



US00D456731S

(12) **United States Design Patent**
Stockman

(10) **Patent No.:** **US D456,731 S**

(45) **Date of Patent:** **** May 7, 2002**

(54) **TRAFFIC SIGN**

D396,821 S * 8/1998 Enloe D10/109
D445,053 S * 7/2001 Capobianco D10/109

(76) Inventor: **Wayne Stockman**, 809 N. First St.,
Plymouth, IN (US) 46563

* cited by examiner

(**) Term: **14 Years**

Primary Examiner—Marcus A. Jackson
(74) *Attorney, Agent, or Firm*—Randall J. Knuth

(21) Appl. No.: **29/143,605**

(57) **CLAIM**

(22) Filed: **Jun. 15, 2001**

The ornamental design for a traffic sign, as shown and described.

(51) **LOC (7) Cl.** **10-05**

(52) **U.S. Cl.** **D10/109**

(58) **Field of Search** D10/104, 109,
D10/111, 113; D20/10, 39, 40, 41; 116/63 P,
63 R, 63 C, 28 R; 40/584, 606, 607, 608,
611, 612

DESCRIPTION

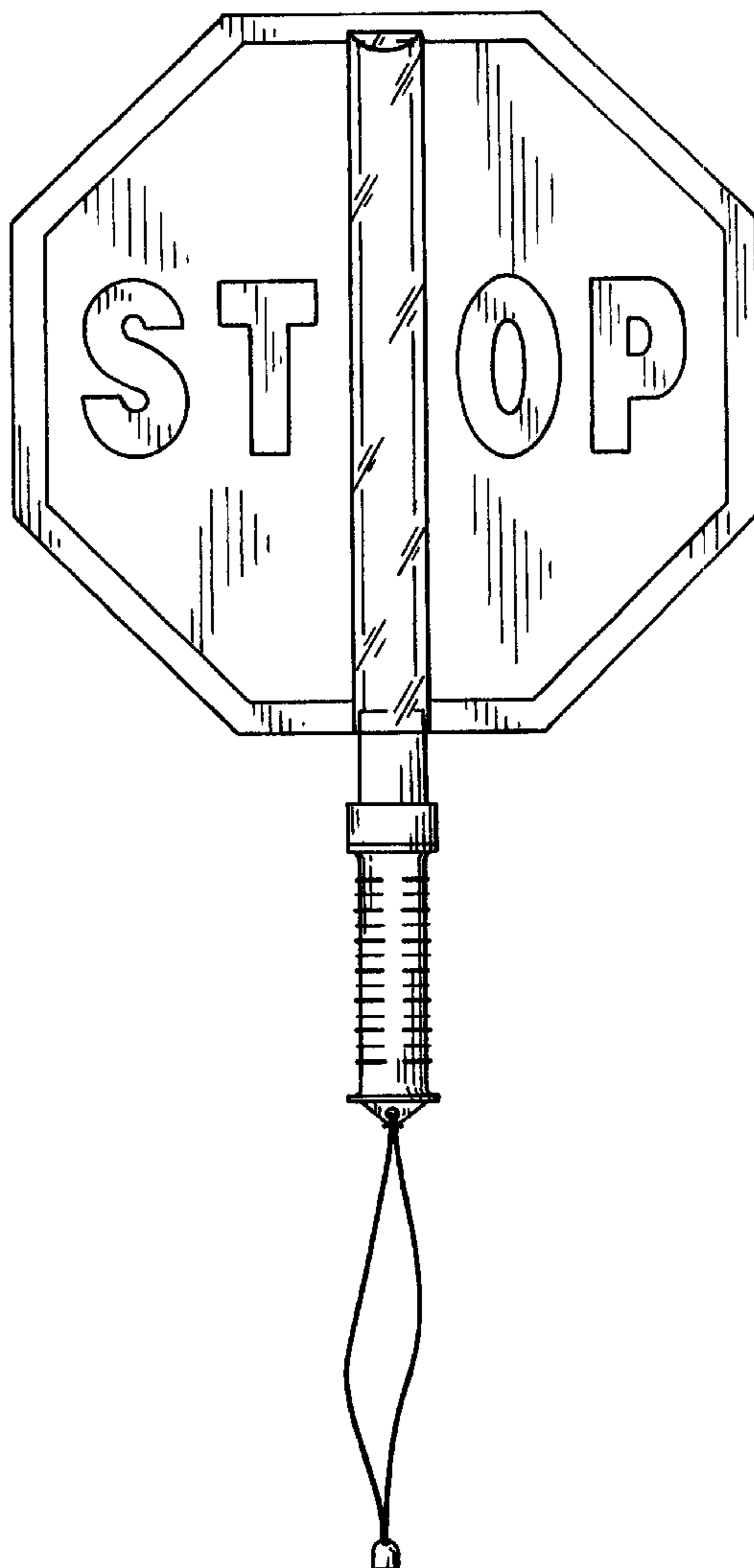
FIG. 1 is a front view of the traffic sign of the present invention;
FIG. 2 is a side view of the traffic sign of FIG. 1, the opposite side being a mirror image thereof;
FIG. 3 is a top view of the traffic sign of FIG. 1;
FIG. 4 is a back view of the traffic sign of FIG. 1; and,
FIG. 5 is a bottom view of the traffic sign of FIG. 1.

(56) **References Cited**

U.S. PATENT DOCUMENTS

D330,686 S * 11/1992 Campagna D10/109
D351,807 S * 10/1994 Smith et al. D10/109

1 Claim, 2 Drawing Sheets



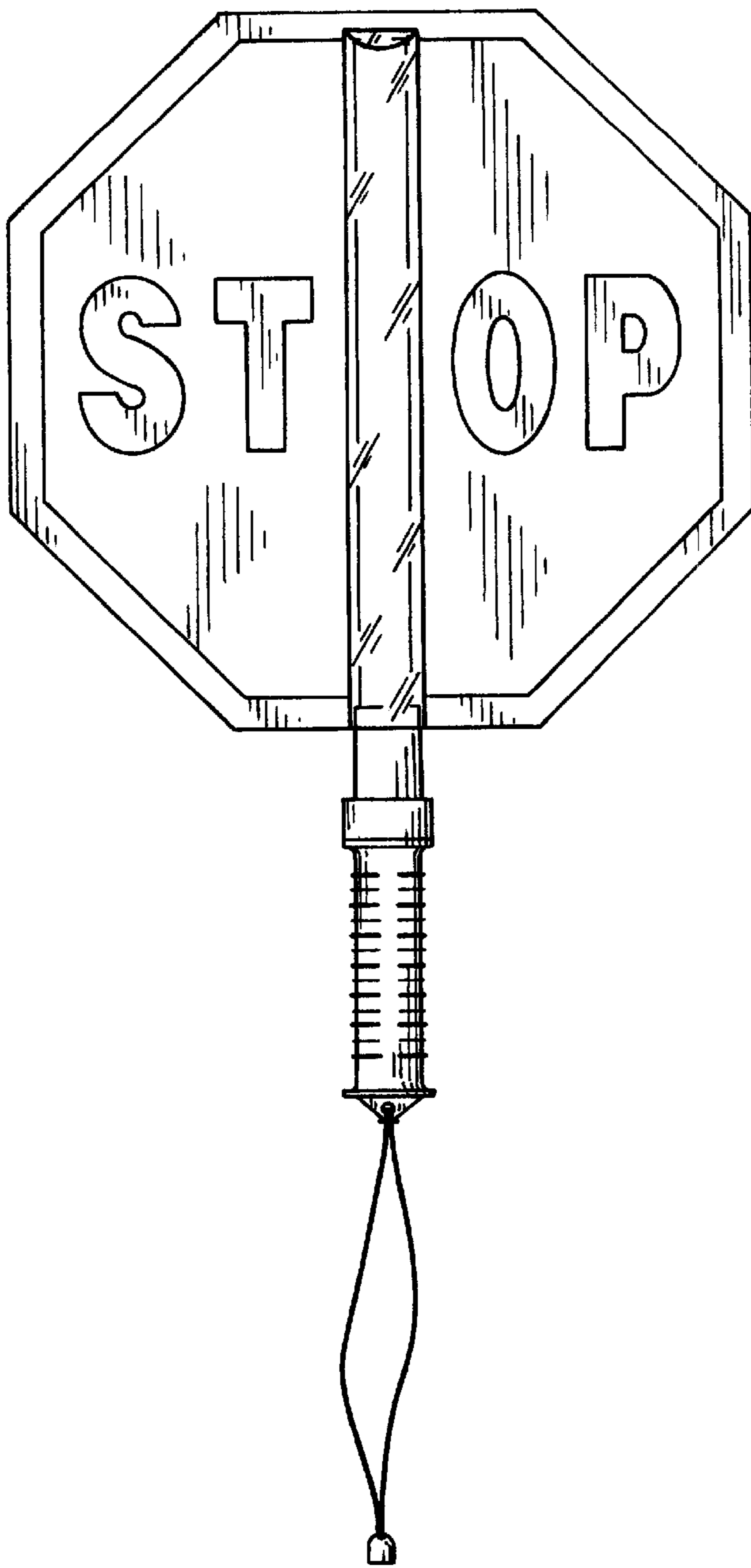


Fig. 1



Fig. 2



Fig. 3

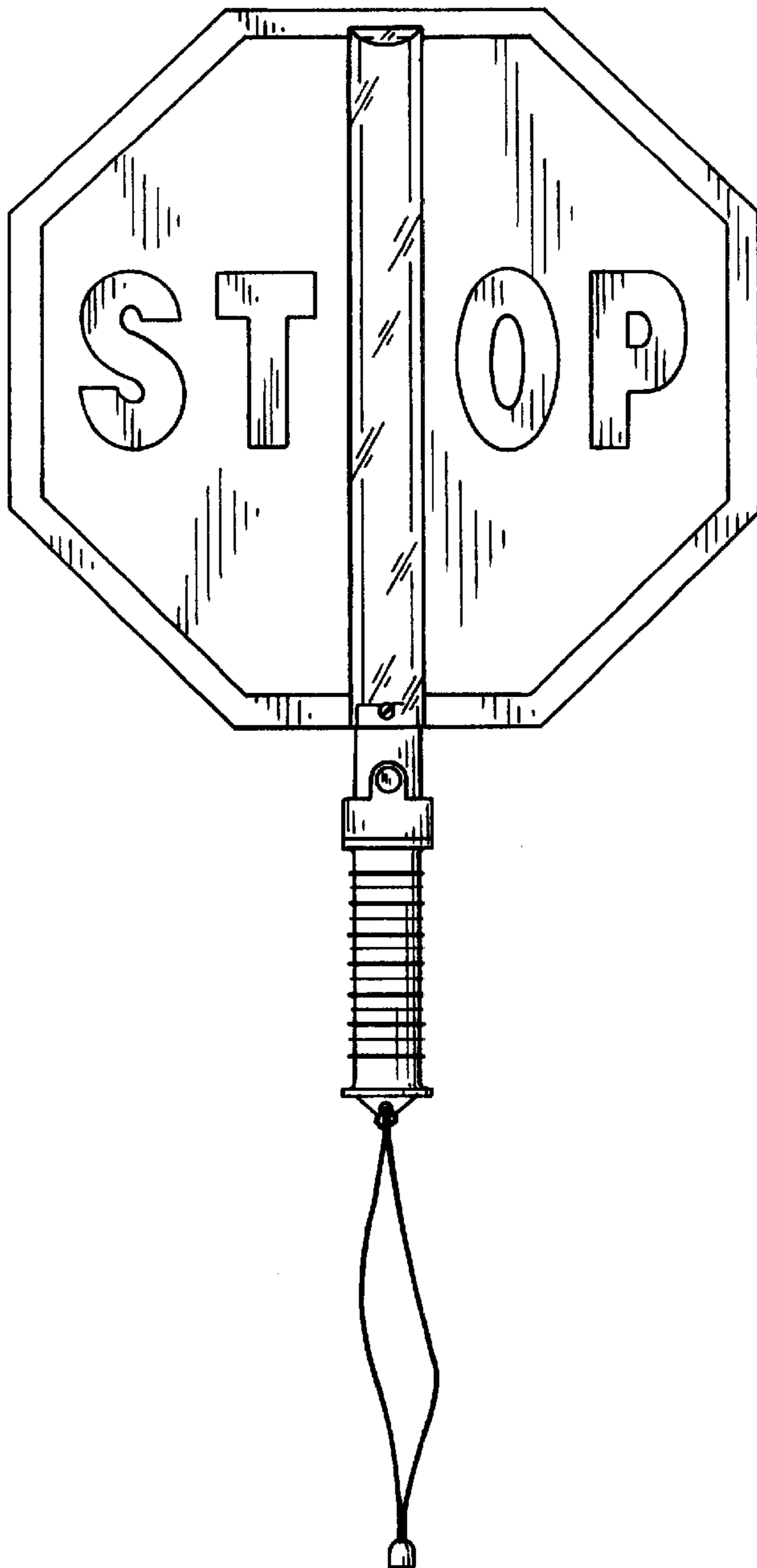


Fig. 4

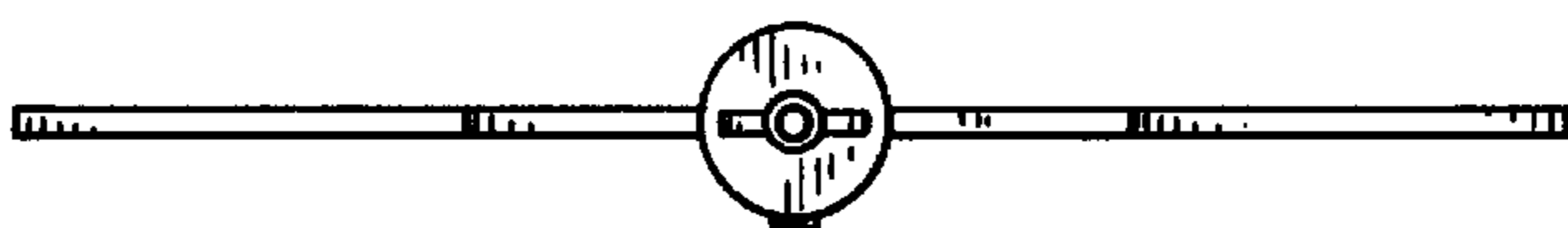


Fig. 5