



US00D456729S

(12) **United States Design Patent**
Montagnino et al.

(10) **Patent No.:** **US D456,729 S**
(45) **Date of Patent:** **** May 7, 2002**

(54) **WINGED SCALE**

(75) Inventors: **James G. Montagnino**, St. Charles;
Anson Wong, Glendale Heights;
Ricardo Murguia, Berwyn; **Shawn Barrett**, Grayslake; **Robert James Glenn, II**, Elk Grove Village, all of IL (US)

(73) Assignee: **Sunbeam Products, Inc.**, Boca Raton, FL (US)

(**) Term: **14 Years**

(21) Appl. No.: **29/140,449**

(22) Filed: **Apr. 18, 2001**

(51) **LOC (7) Cl.** **10-04**

(52) **U.S. Cl.** **D10/92**

(58) **Field of Search** D10/92; 177/211,
177/239-245

(56) **References Cited**

U.S. PATENT DOCUMENTS

D304,308 S * 10/1989 Morooka D10/92
D419,472 S * 1/2000 Cappiello D10/92

* cited by examiner

Primary Examiner—Antoine Duval Davis

(74) *Attorney, Agent, or Firm*—Kramer Levin Naftalis & Frankel LLP

(57) **CLAIM**

The ornamental design for a winged scale, as shown and described.

DESCRIPTION

FIG. 1 is a front left perspective view of an exemplary winged scale according to a closed-position embodiment of

the present invention, having a digital display depicted in phantom and left and right wings folded in a closed position on a topside.

FIG. 2 is a top plan view of the winged scale of FIG. 1.

FIG. 3 is a front elevational view of the winged scale of FIG. 1.

FIG. 4 is a back elevational view of the winged scale of FIG. 1.

FIG. 5 is a left side elevational view of the winged scale of FIG. 1, the right side elevational view being a mirror image.

FIG. 6 is a bottom plan view of the winged scale of FIG. 1.

FIG. 7 is a front left perspective view of another exemplary winged scale according to an open-position embodiment of the present invention, having a digital display depicted in phantom and left and right wings unfolded in an open position.

FIG. 8 is a top plan view of the winged scale of FIG. 7.

FIG. 9 is a front elevational view of the winged scale of FIG. 7.

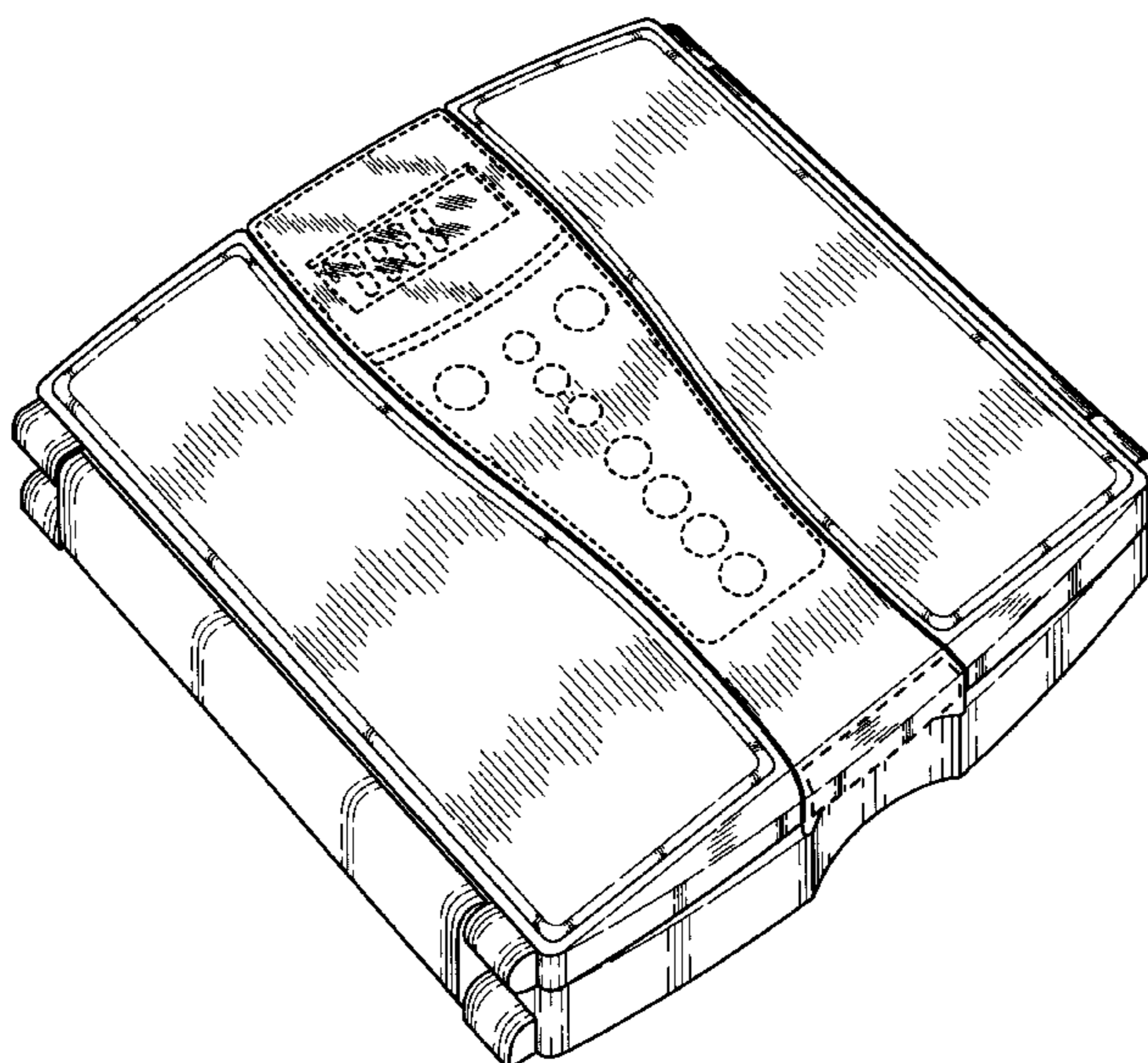
FIG. 10 is a back elevational view of the winged scale of FIG. 7.

FIG. 11 is a left side elevational view of the winged scale of FIG. 7, the right side elevational view being a mirror image; and,

FIG. 12 is a bottom plan view of the winged scale of FIG. 7.

The broken line showing is for illustrative purposes only and forms no part of the claimed design.

1 Claim, 8 Drawing Sheets



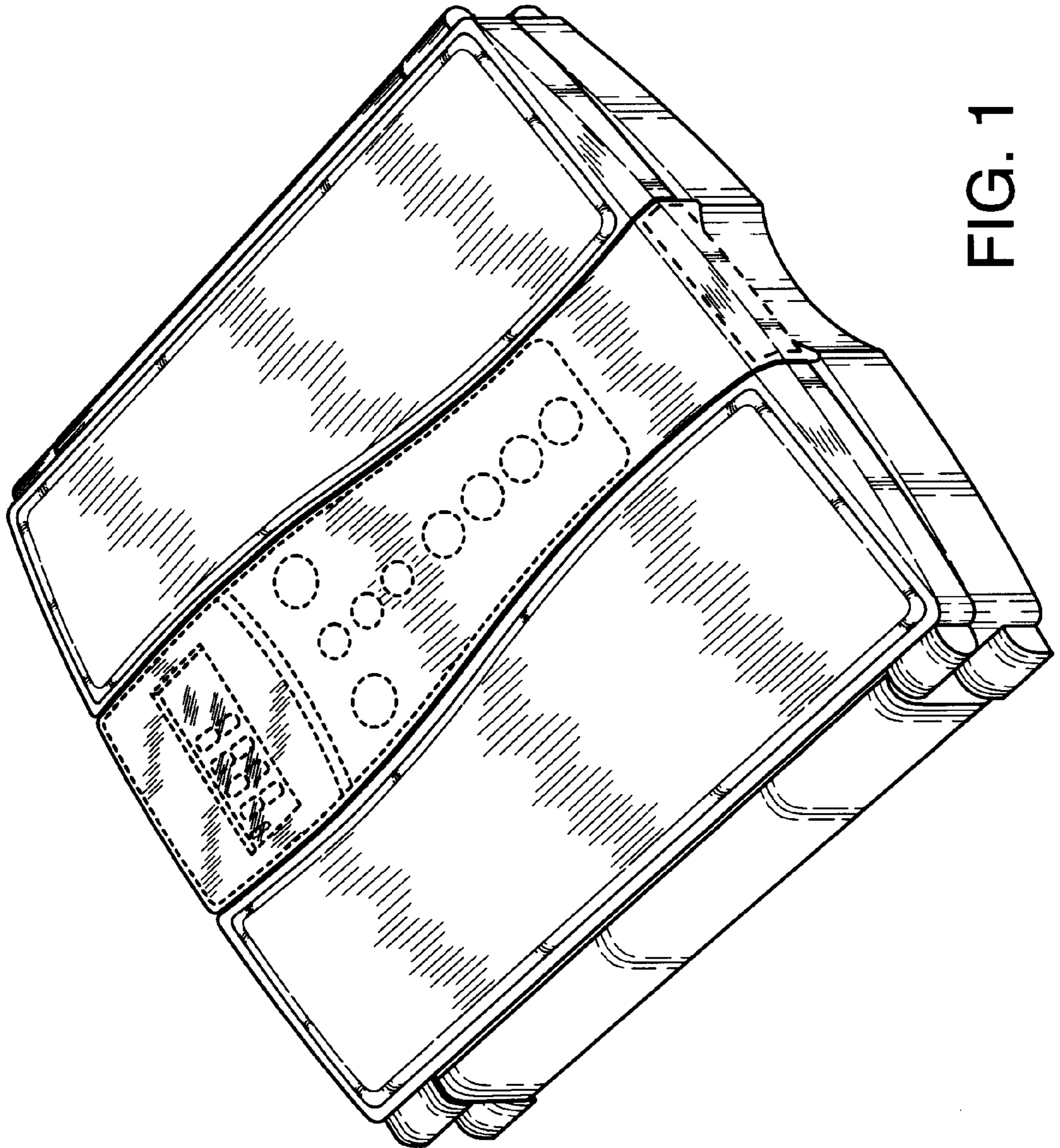


FIG. 1

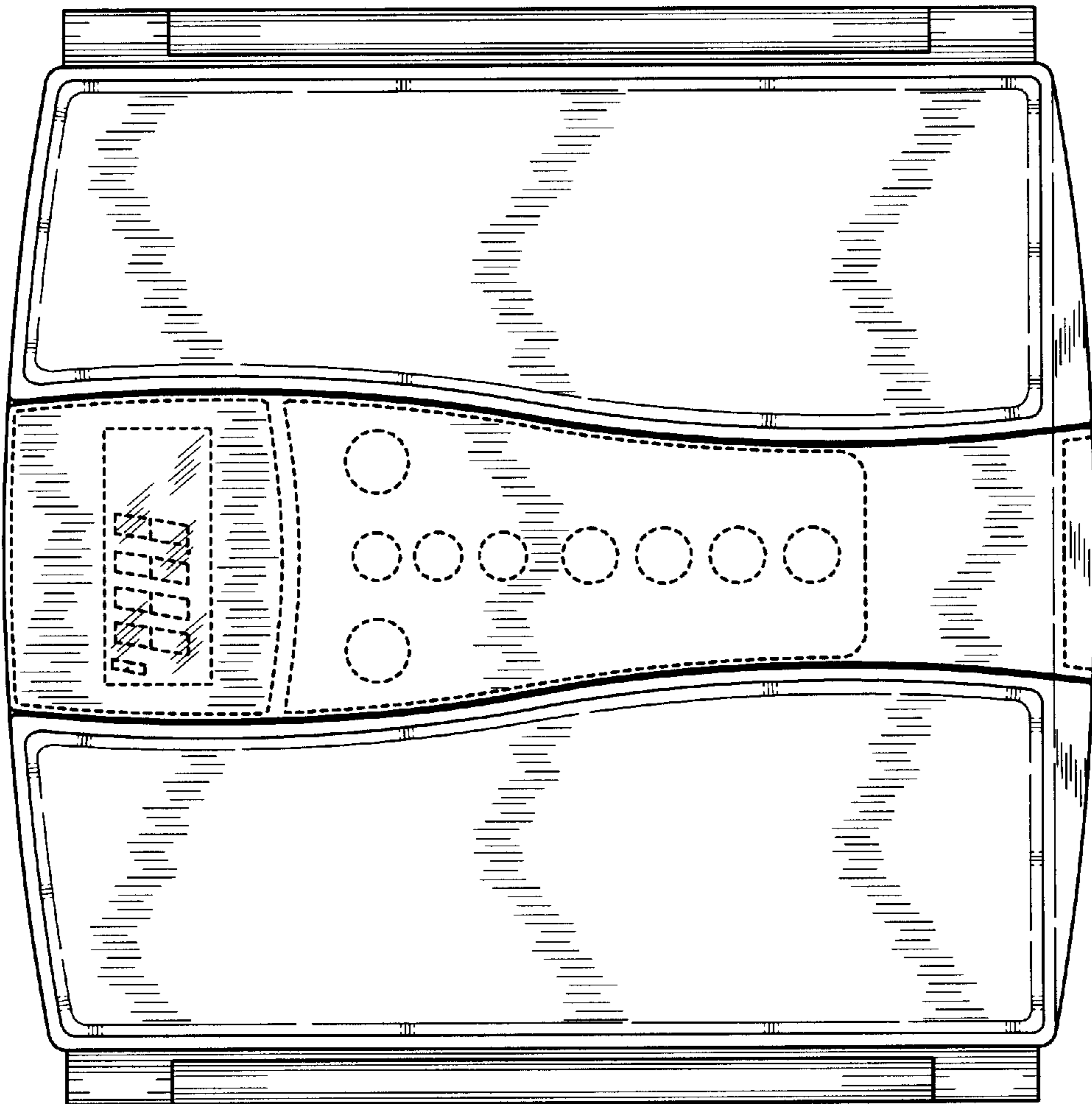


FIG. 2

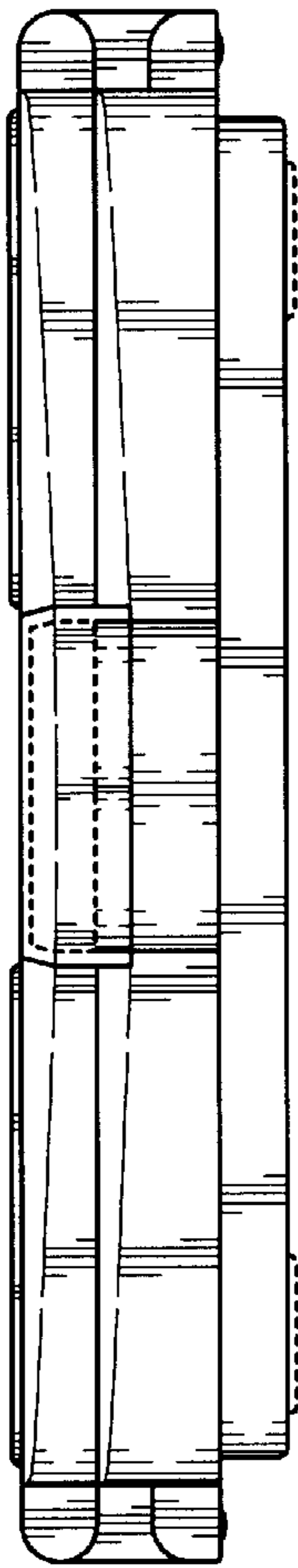


FIG. 3

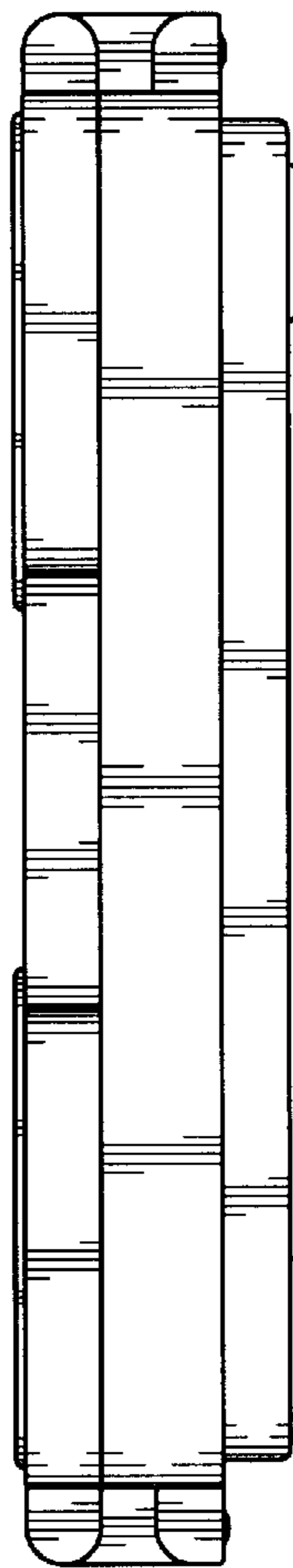


FIG. 4

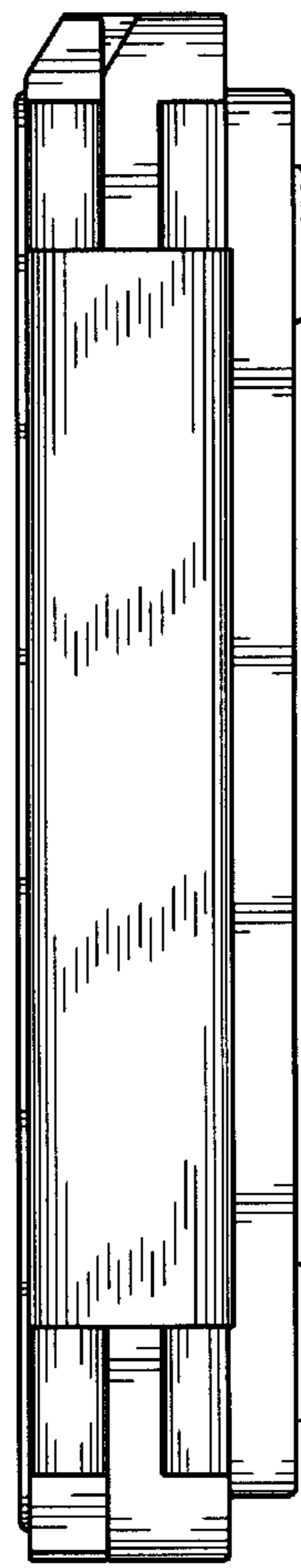


FIG. 5

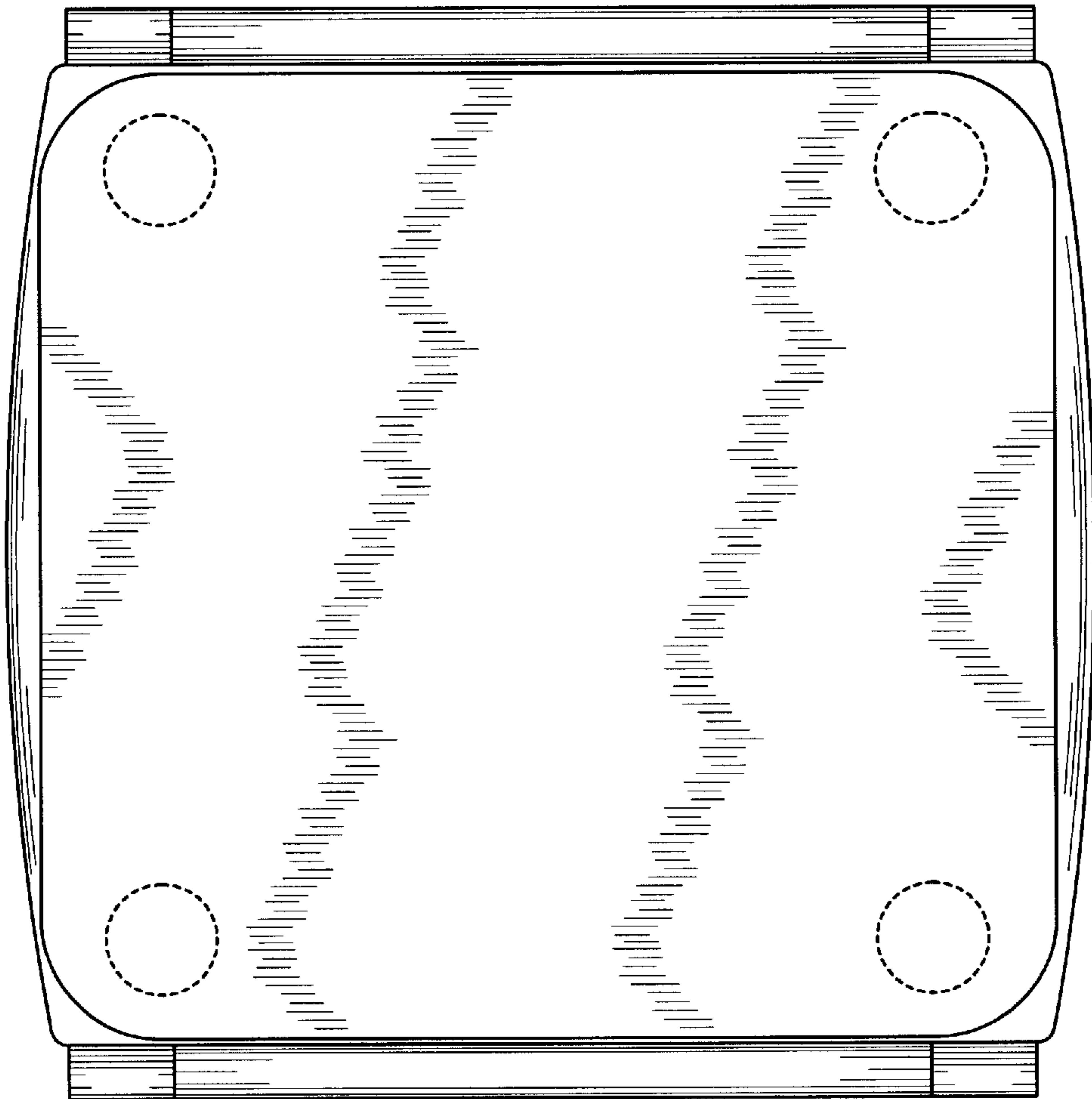


FIG. 6

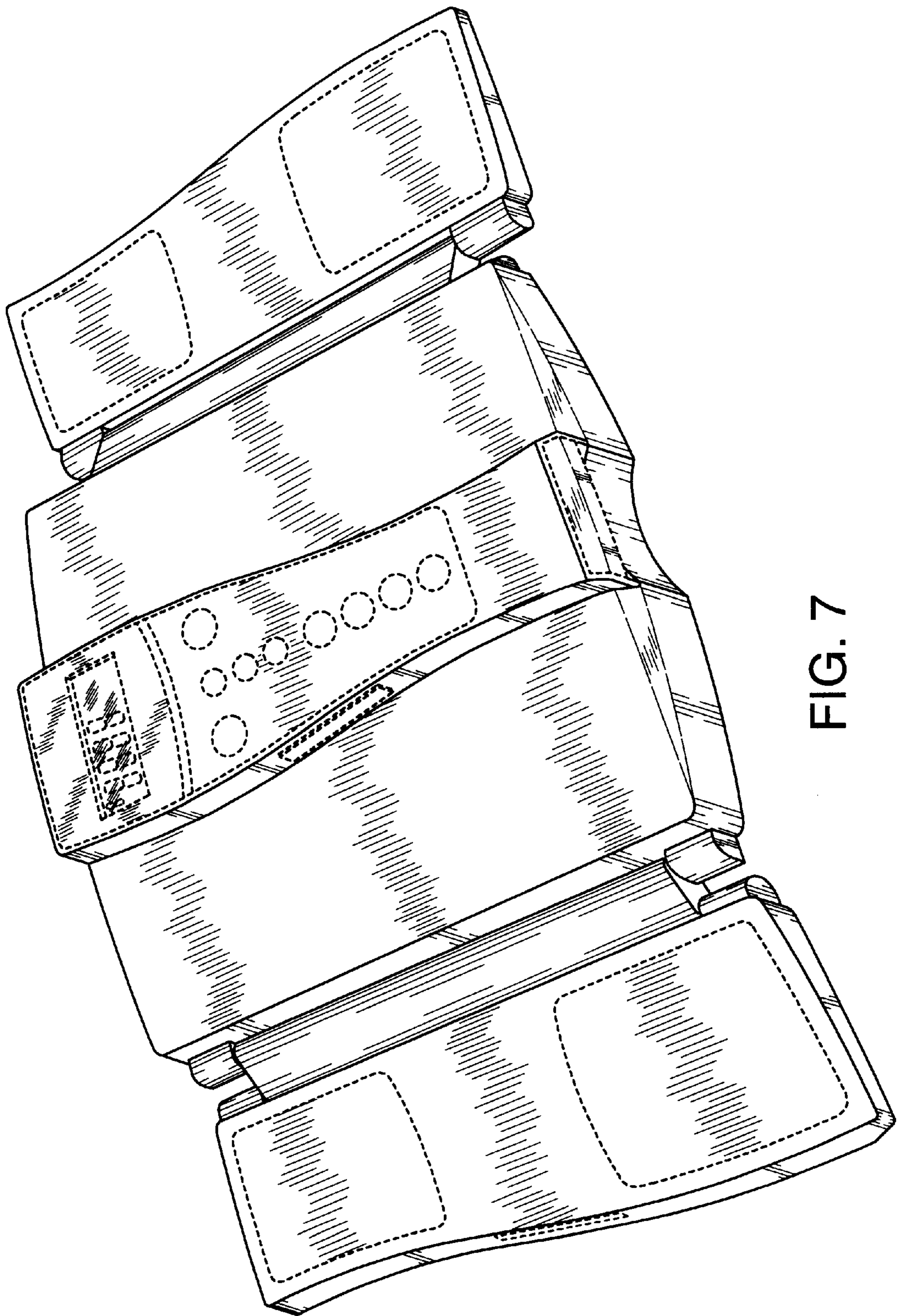


FIG. 7

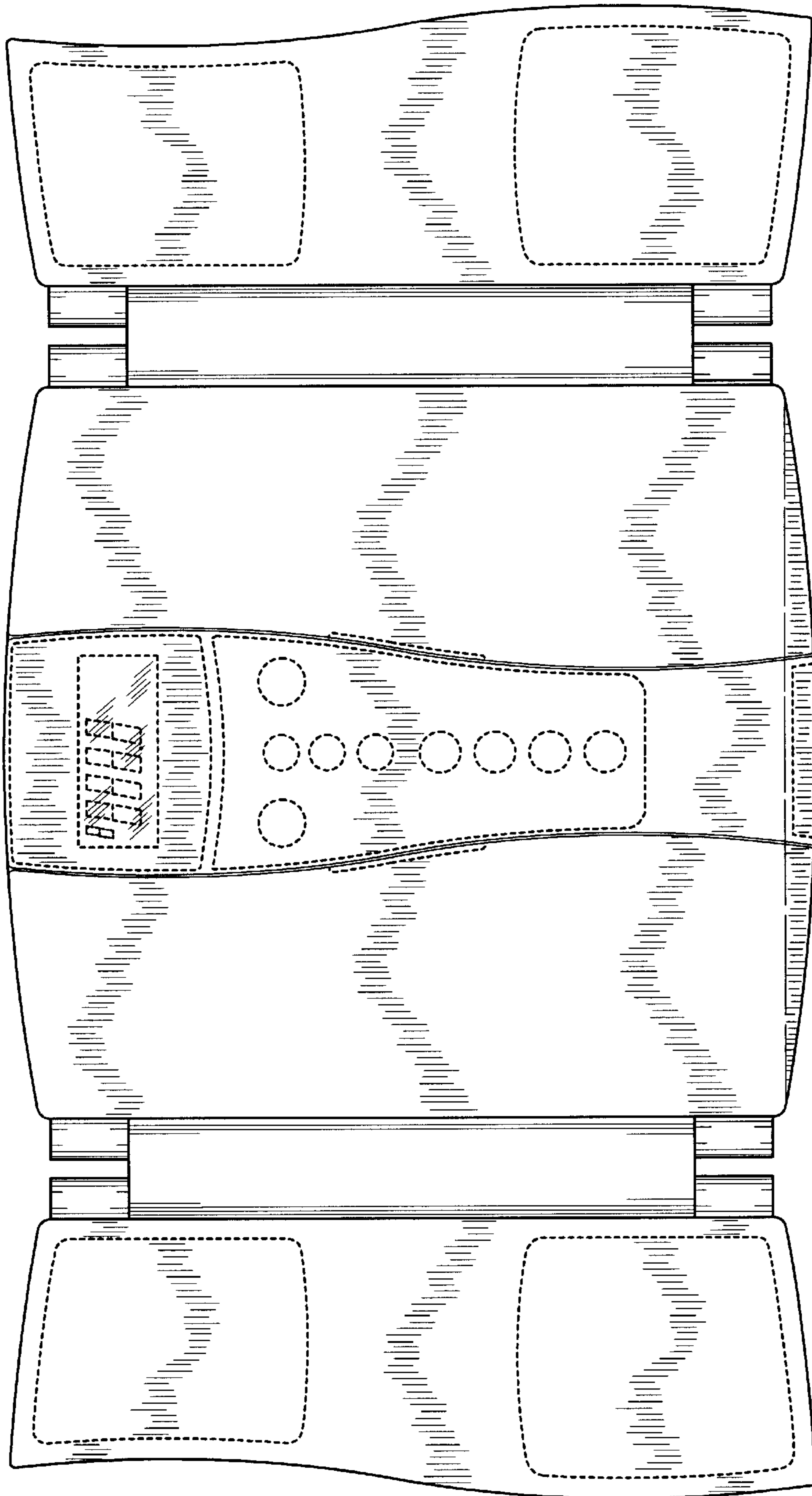


FIG. 8

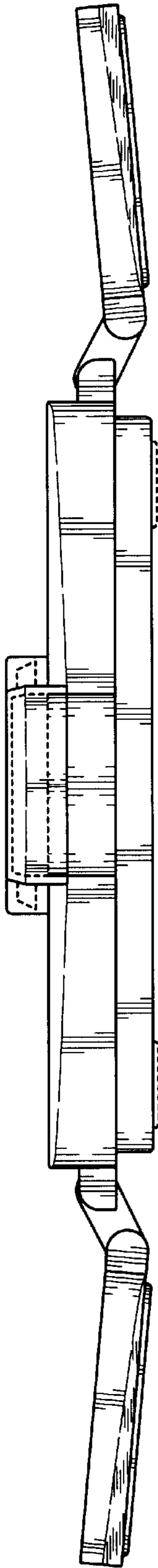


FIG. 9

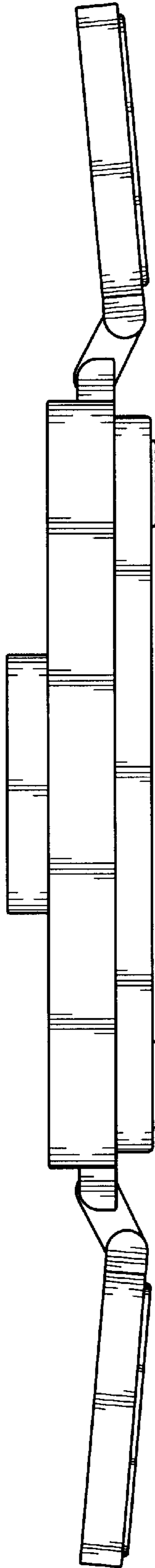


FIG. 10

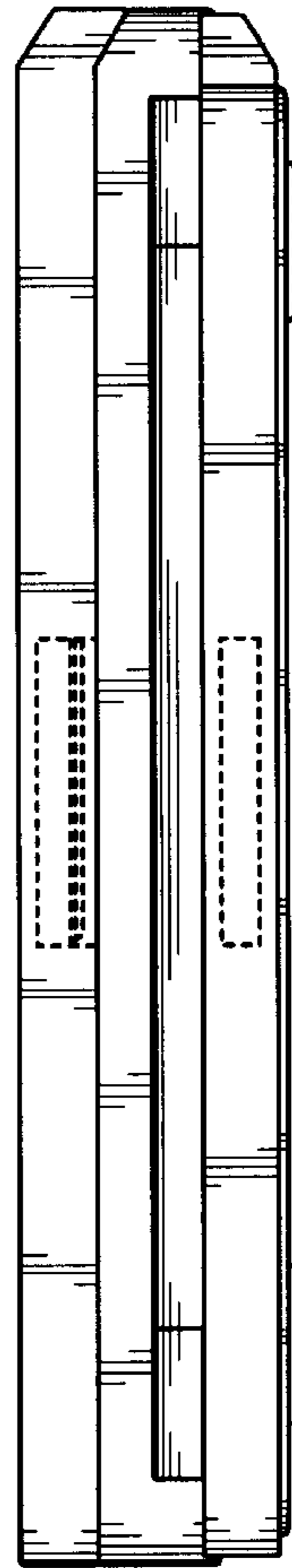


FIG. 11

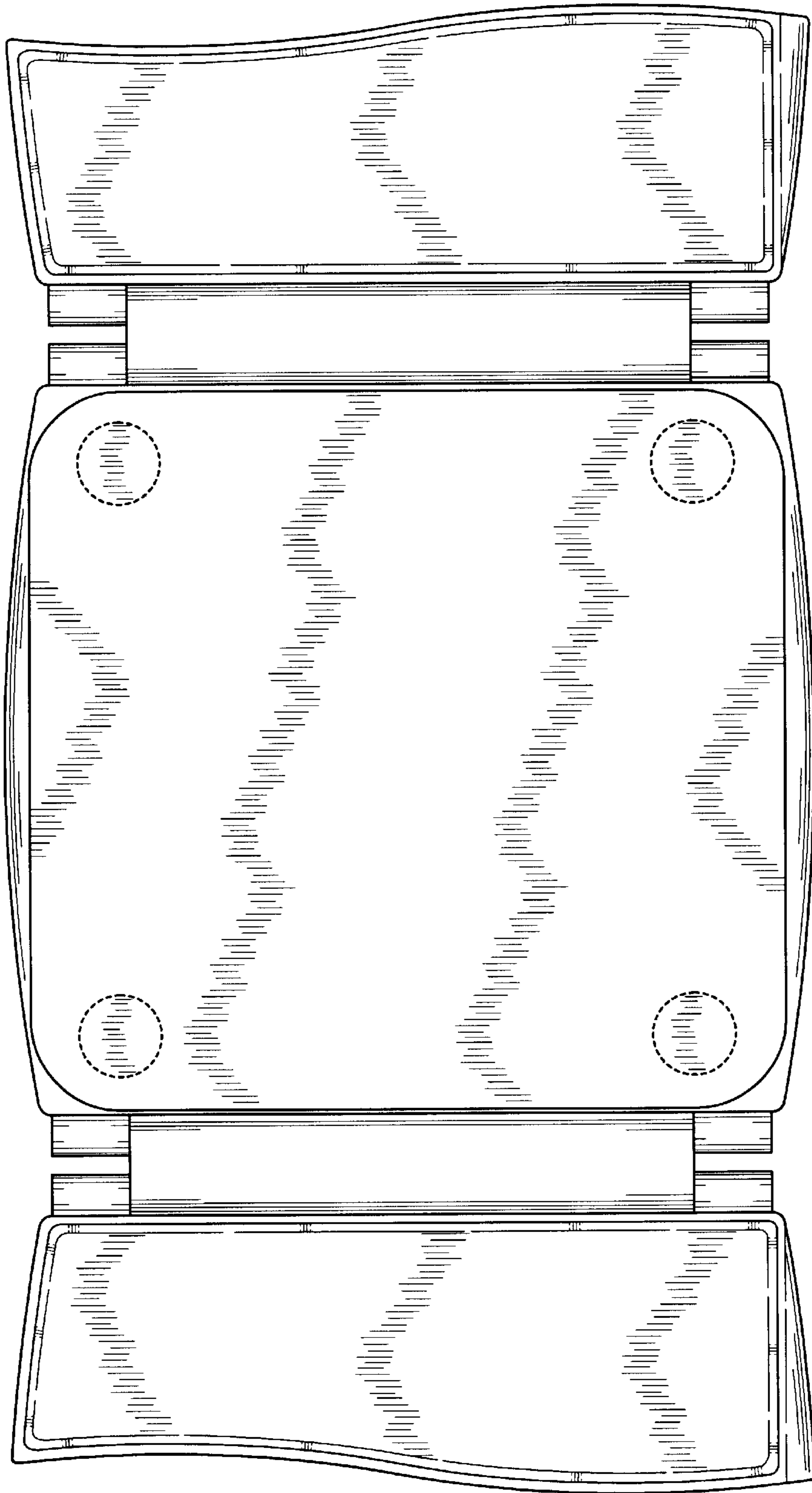


FIG. 12