



US00D456723S

(12) **United States Design Patent**
Von Burg

(10) **Patent No.:** **US D456,723 S**

(45) **Date of Patent:** **** May 7, 2002**

(54) **WATCH**

OTHER PUBLICATIONS

(75) Inventor: **Remington Von Burg**, Grenchen (CH)

Swiss Watch & Jewelry Journal—Feb. 1987—p. 292—
watch—2nd from right.

(73) Assignee: **D. Swarovski & Co.**, Wattens (AT)

European Jeweler (G.Z.)—Jan. 1987—p. 54—watch at
right.

(**) Term: **14 Years**

Design—Dec. 1973—p. 73—watch#7—lower center.

(21) Appl. No.: **29/147,727**

* cited by examiner

(22) Filed: **Sep. 6, 2001**

(51) **LOC (7) Cl.** **10-02**

Primary Examiner—Nelson C. Holtje

(52) **U.S. Cl.** **D10/32**

(74) *Attorney, Agent, or Firm*—Wenderoth, Lind & Ponack,
L.L.P.

(58) **Field of Search** D10/1-39, 122-132;
368/276-277, 285, 281-282; D11/3-25;
63/1-11

(57) **CLAIM**

The ornamental design for a watch, as shown.

(56) **References Cited**

DESCRIPTION

U.S. PATENT DOCUMENTS

FIG. 1 is a top view of a watch according to the present
design;

D164,832 S	10/1951	Warren	
D246,575 S	12/1977	Onodera et al.	
D278,315 S	4/1985	Houlihan	
D283,015 S	3/1986	Lederrey	
D310,637 S	* 9/1990	Sugano D10/30
D339,532 S	* 9/1993	Frappe D10/39
D413,274 S	8/1999	Burg	
D448,311 S	* 9/2001	Sciaccica D10/39

FIG. 2 is a bottom view of the watch of FIG. 1;

FIG. 3 is a left-side view of the watch of FIG. 1;

FIG. 4 is a right-side view of the watch of FIG. 1;

FIG. 5 is a front view of the watch of FIG. 1; and,

FIG. 6 is a back view of the watch of FIG. 1.

FOREIGN PATENT DOCUMENTS

JP 657194 7/1985

1 Claim, 3 Drawing Sheets

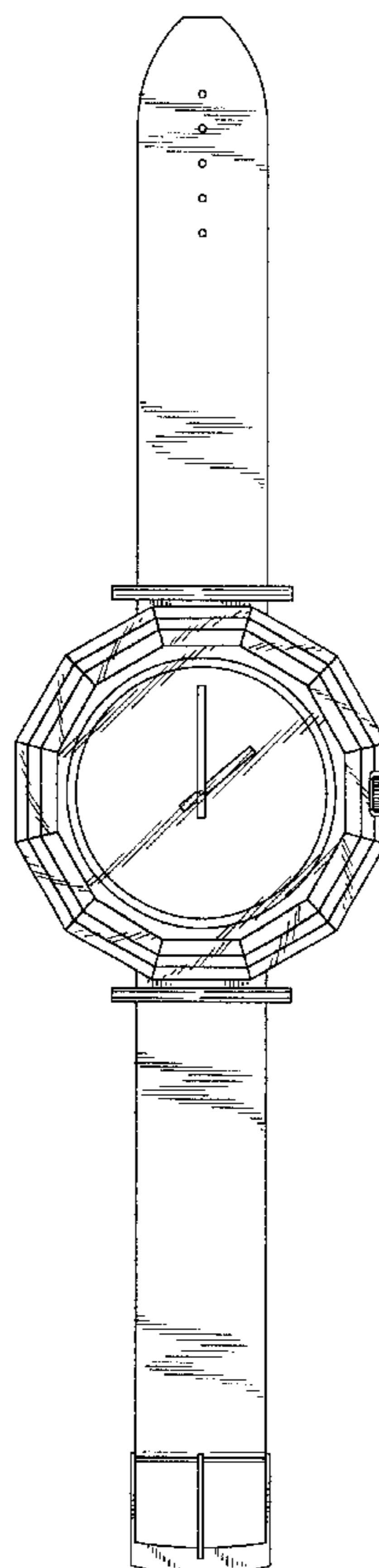


FIG. 1

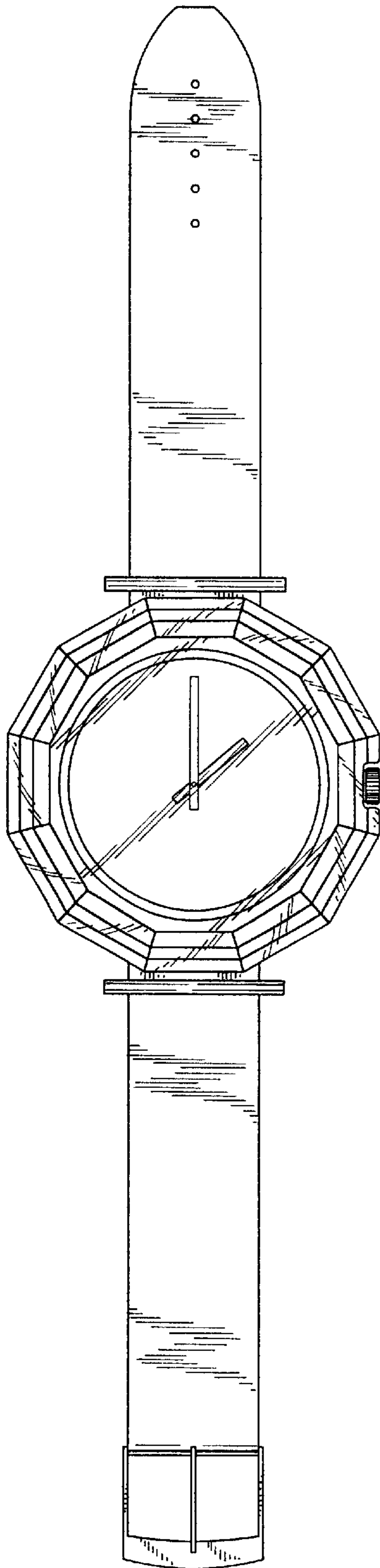


FIG. 2

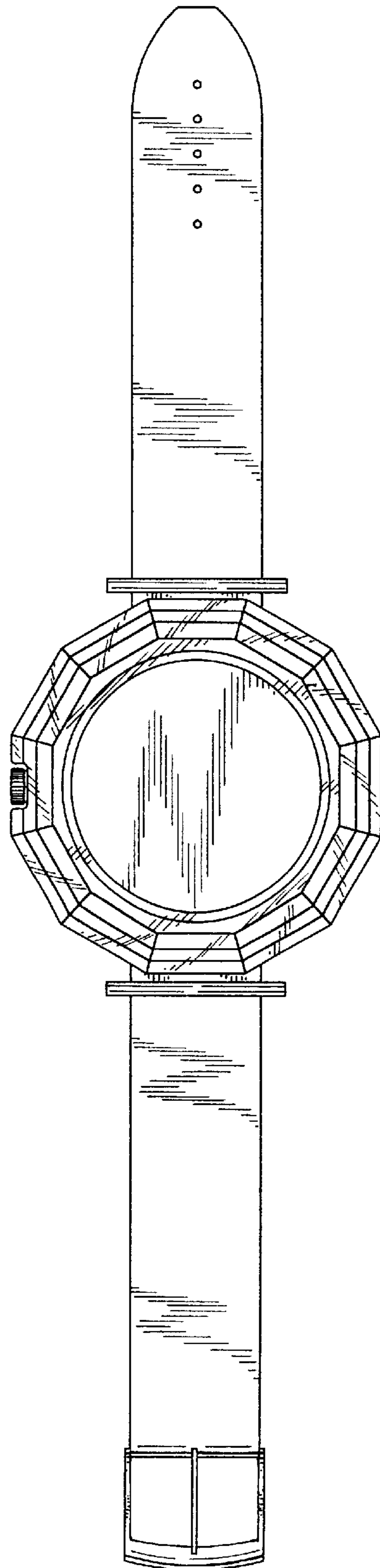


FIG. 3

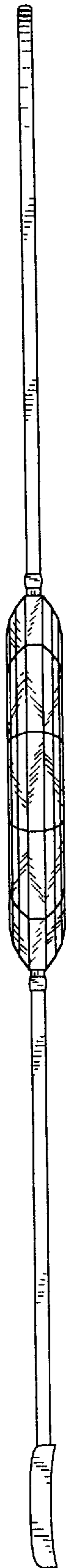


FIG. 4



FIG. 5

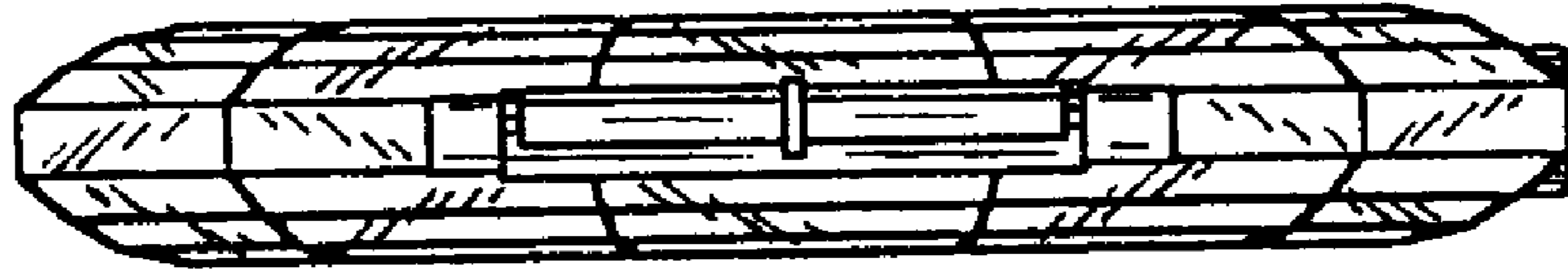


FIG. 6

