



US00D456722S

(12) **United States Design Patent**
Chan

(10) **Patent No.:** **US D456,722 S**

(45) **Date of Patent:** **** May 7, 2002**

(54) **WRISTWATCH**

FOREIGN PATENT DOCUMENTS

(75) **Inventor:** **Chuk Shun Chan**, Kowloon (HK)

XH DM/052 137 4/2000
XH DM/052 168 4/2000

(73) **Assignee:** **Pollyflame International, B.V.**,
Roelofarendsveen (NL)

OTHER PUBLICATIONS

(**) **Term:** **14 Years**

Hong Kong Enterprise, vol. 9, p. 2, Oct., 2000.

(21) **Appl. No.:** **29/143,795**

* cited by examiner

(22) **Filed:** **Jun. 20, 2001**

Primary Examiner—Nelson C. Holtje

(30) **Foreign Application Priority Data**

(74) *Attorney, Agent, or Firm*—Greer, Burns & Crain, Ltd.

Dec. 20, 2000 (XH) DMA/054473

(57) **CLAIM**

(51) **LOC (7) Cl.** **10-02**

The ornamental design for a wristwatch, as shown and described.

(52) **U.S. Cl.** **D10/32**

DESCRIPTION

(58) **Field of Search** D10/1-39, 122-132;
368/276-277, 285, 281-282; 224/164, 168,
178; D11/3-25; 63/1.11, 3, 5, 11

FIG. 1 is a perspective view of the wristwatch showing the new design;

FIG. 2 is a top view thereof;

FIG. 3 is a bottom view thereof;

FIG. 4 is a left view thereof;

FIG. 5 is a right view thereof;

FIG. 6 is a front view thereof; and,

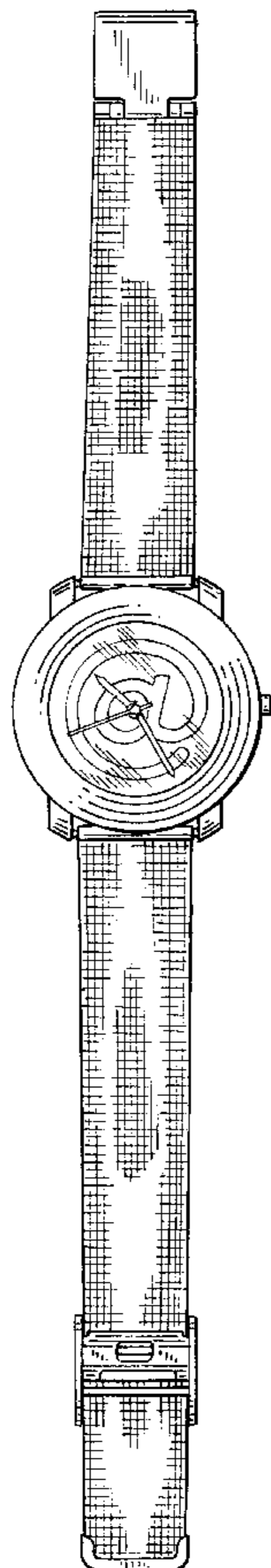
FIG. 7 is a rear view thereof.

(56) **References Cited**

U.S. PATENT DOCUMENTS

D251,814 S * 5/1979 Christ D21/506
D353,107 S * 12/1994 Ricci D10/32
D361,726 S * 8/1995 Mabbitt D10/32
5,493,544 A * 2/1996 Marthe 368/281
D423,053 S * 4/2000 Lefkowitz D19/65

1 Claim, 2 Drawing Sheets



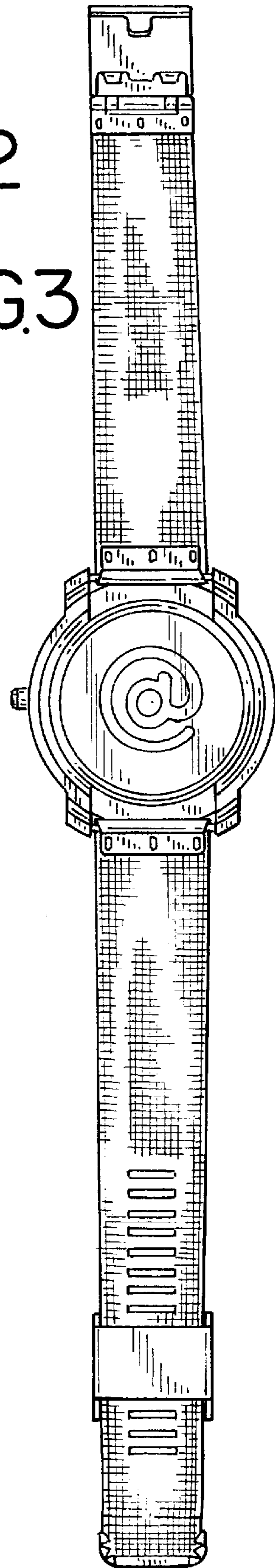
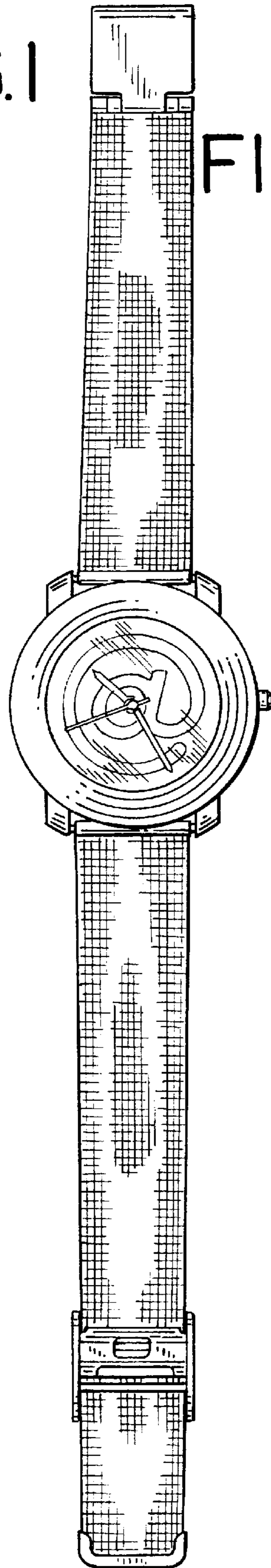
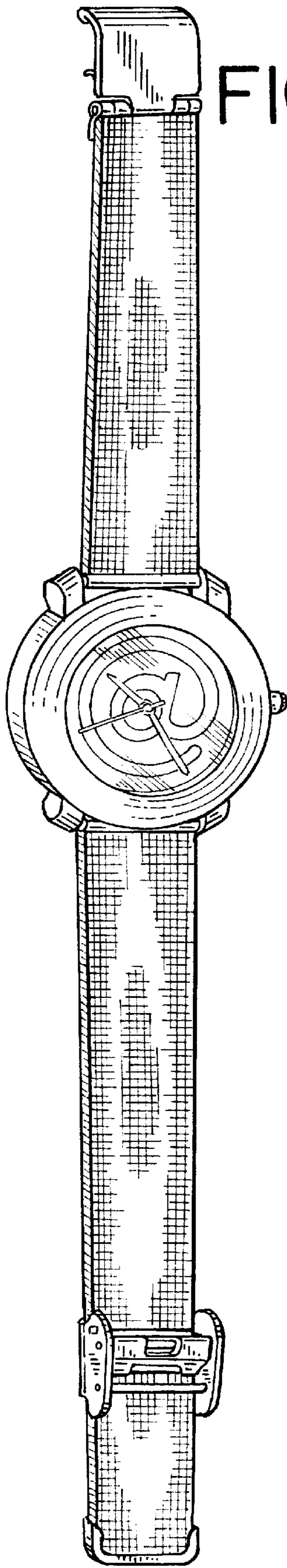




FIG. 4



FIG. 5

FIG. 6

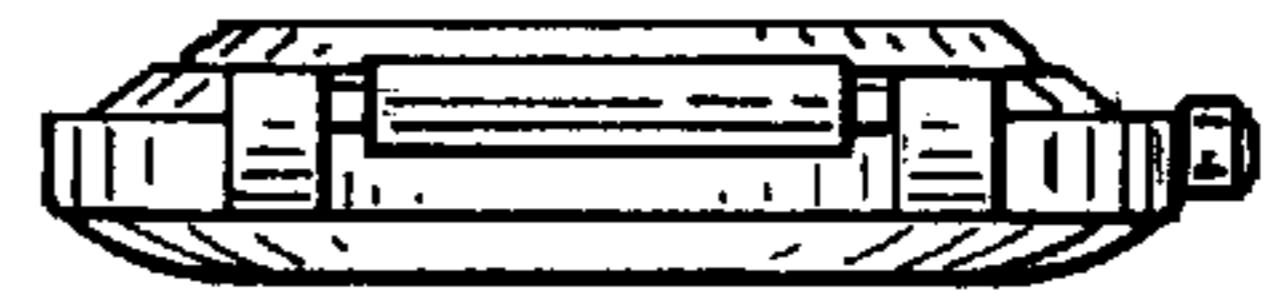


FIG. 7

