



US00D456719S

(12) **United States Design Patent** (10) **Patent No.:** **US D456,719 S**  
**Jannard et al.** (45) **Date of Patent:** **\*\* May 7, 2002**

(54) **WATCH AND WATCH COMPONENT**

**OTHER PUBLICATIONS**

(75) Inventors: **James H. Jannard**, Spieden Island, WA (US); **Christopher Petrillo**; **Peter Yee**, both of Irvine, CA (US)

Oakley, Inc., "Oakley Catalog—2000", Feb. 2000, pp. 58–61, published by Oakley, Inc., Foothill Ranch, California.

(73) Assignee: **Oakley, Inc.**, Foothill Ranch, CA (US)

Nike, Inc.—"holiday ninety nine", Mar. 1999, pp. 1–12, published by Nike Inc., Beaverton, Oregon.

(\*\*) Term: **14 Years**

Suunto, Inc., "technical Outdoor Products", unknown publication date, pp. 2–5, published by Suunto, Inc., Carlsbad, California.

(21) Appl. No.: **29/143,217**

Ad for OP wrist watches, unknown source, unknown publication date.

(22) Filed: **Jun. 7, 2001**

Ad for Timex Ironman wrist watches on <http://www.watchzone.com/Watchzone.storefront/843840787/Catalog/2043>, Nov. 8, 1999.

**Related U.S. Application Data**

Ad for G-Shock Raysman wrist watch on <http://www.watchzone.com/Watchzone.storefront/84380787>, Nov. 8, 1999.

(62) Division of application No. 29/130,487, filed on Oct. 2, 2000.

Ad for Adidas watches on <http://www.watchzone.com/Watchzone.storefront/179075562/Catalog/2001>, Sep. 1, 1999.

(51) **LOC (7) Cl.** ..... **10-02**

U.S. application No. 29/130,487, Jannard et al., filed Oct. 2, 2000.

(52) **U.S. Cl.** ..... **D10/30**

(58) **Field of Search** ..... D10/1–40, 122–132; 368/41–44, 82–84, 28–30, 239–242, 276–277, 280–282, 285

*Primary Examiner*—Nelson C. Holtje

(74) *Attorney, Agent, or Firm*—Gregory Nelson

(56) **References Cited**

(57) **CLAIM**

**U.S. PATENT DOCUMENTS**

The ornamental design for a watch and watch component, as shown and described.

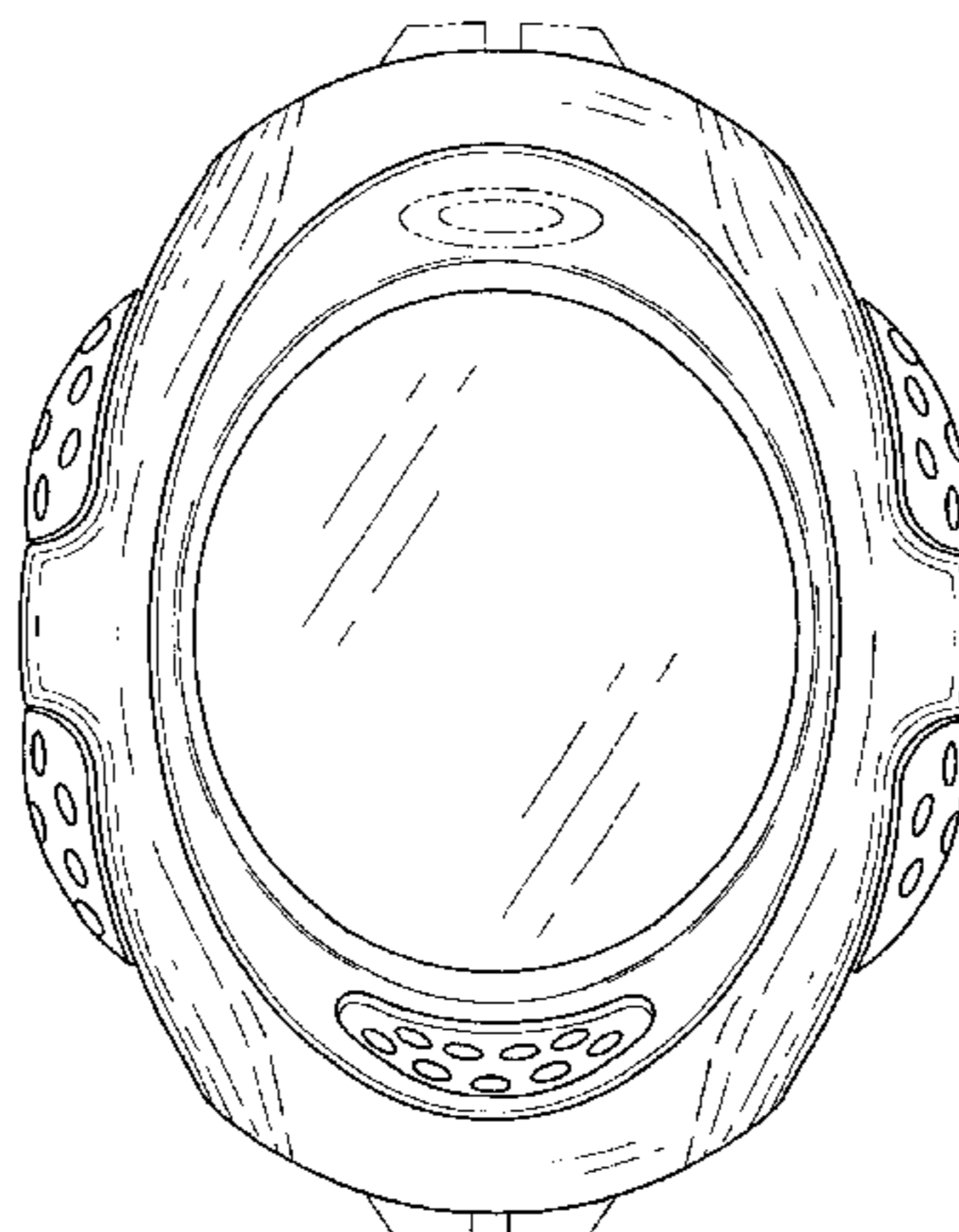
D287,341 S	12/1986	Grimes	
D346,975 S	5/1994	Houlihan	
D364,820 S	12/1995	Sakai et al.	
D364,821 S	12/1995	Sakai et al.	
D378,740 S	4/1997	Yamamoto et al.	
D381,276 S	7/1997	Dobashi et al.	
D392,903 S	3/1998	Yerby et al.	
D394,391 S	5/1998	Bruce et al.	
D394,394 S	5/1998	Bruce et al.	
D394,403 S	* 5/1998	Hanagata	..... D10/38
D395,011 S	* 6/1998	Hanagata	..... D10/30
D398,246 S	9/1998	Bruce et al.	
D399,433 S	10/1998	Bruce et al.	
D404,328 S	1/1999	Brunner et al.	
D410,583 S	6/1999	Spandrio et al.	
D413,527 S	* 9/1999	Hanagata	..... D10/30
D415,434 S	10/1999	Matsuda	

**DESCRIPTION**

FIG. 1 is a front perspective view of the watch without band of the present invention;  
FIG. 2 is a front elevational view thereof;  
FIG. 3 is a rear elevational view thereof;  
FIG. 4 is a top plan view thereof;  
FIG. 5 is a bottom plan view thereof;  
FIG. 6 is a left-side elevational view thereof; and,  
FIG. 7 is a right-side elevational view thereof.  
Phantom lining, where utilized, is for illustrative purposes only and is not intended to limit the claimed design to the features shown in phantom.

(List continued on next page.)

**1 Claim, 7 Drawing Sheets**



# US D456,719 S

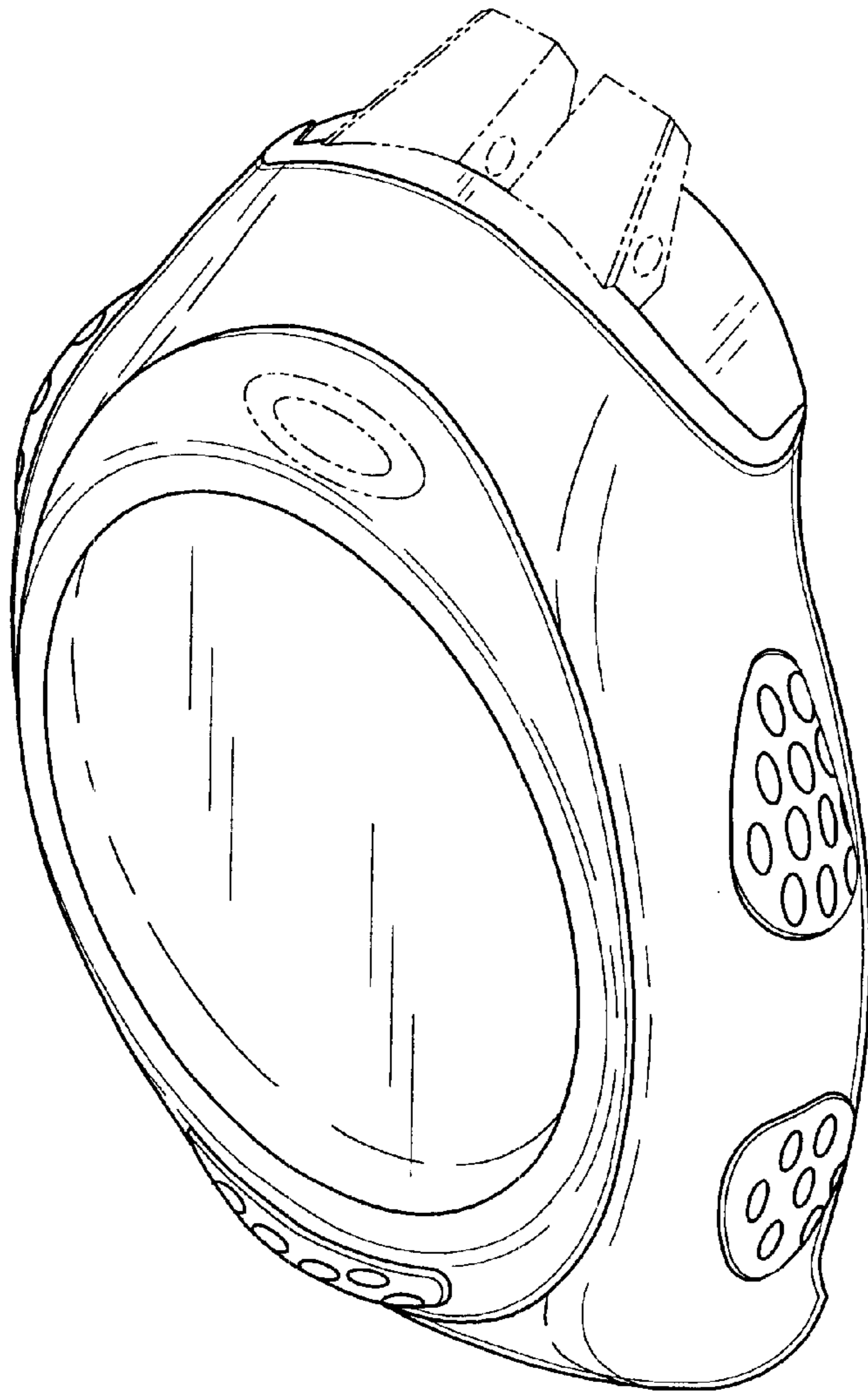
Page 2

---

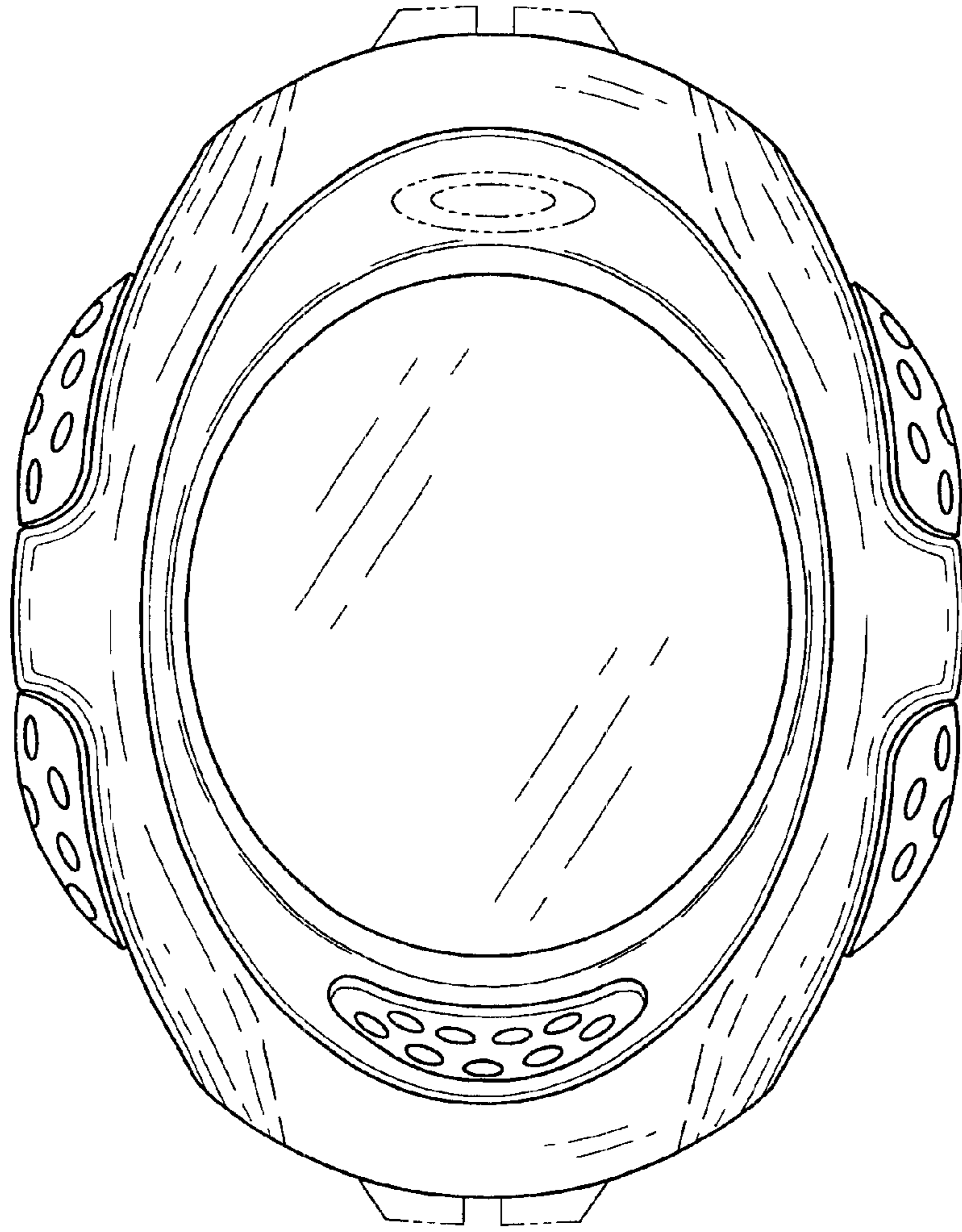
## U.S. PATENT DOCUMENTS

D416,812 S	11/1999	Houlihan et al.	D425,799 S	*	5/2000	Hysek .....	D10/32
D417,401 S	12/1999	Houlihan et al.	D429,168 S		8/2000	Jannard et al.	
D417,627 S	12/1999	Spandrio et al.	D433,342 S	*	11/2000	Fox .....	D10/30
D418,442 S	1/2000	Yanku	D447,426 S	*	9/2001	Jannard et al. ....	D10/32
D421,398 S	3/2000	Spandrio et al.	D447,959 S	*	9/2001	Fox et al. ....	D10/30
D423,946 S	5/2000	Jannard et al.	D451,955 S	*	12/2001	Hanagata .....	D19/30

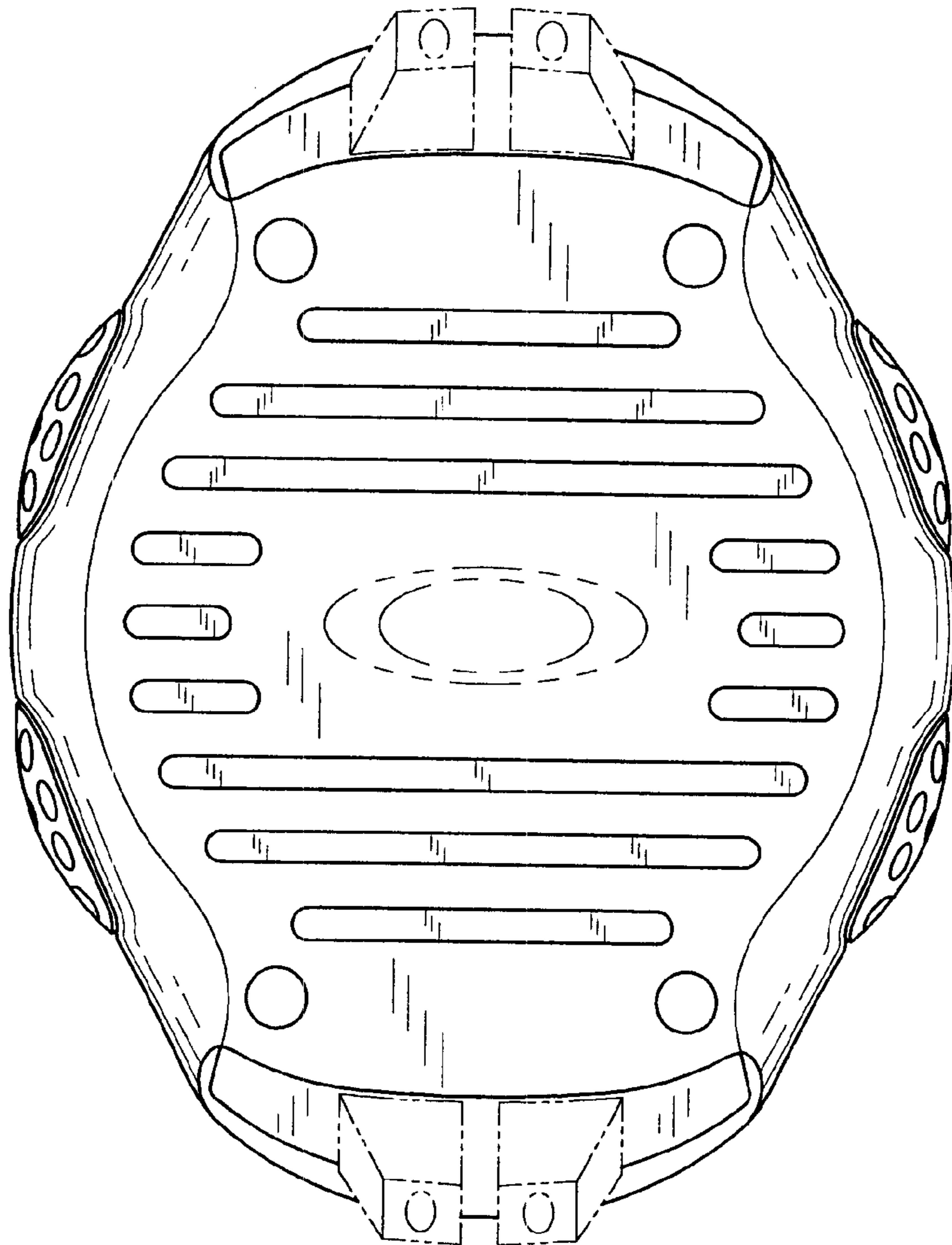
\* cited by examiner



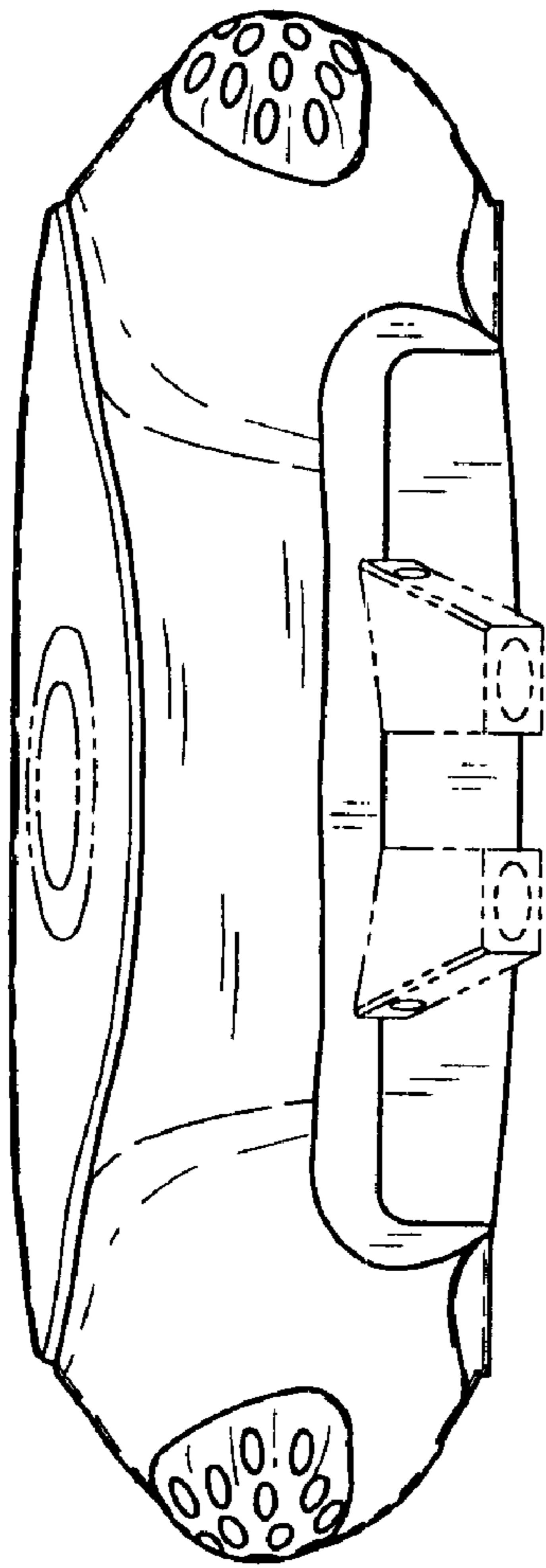
*FIG. 1*



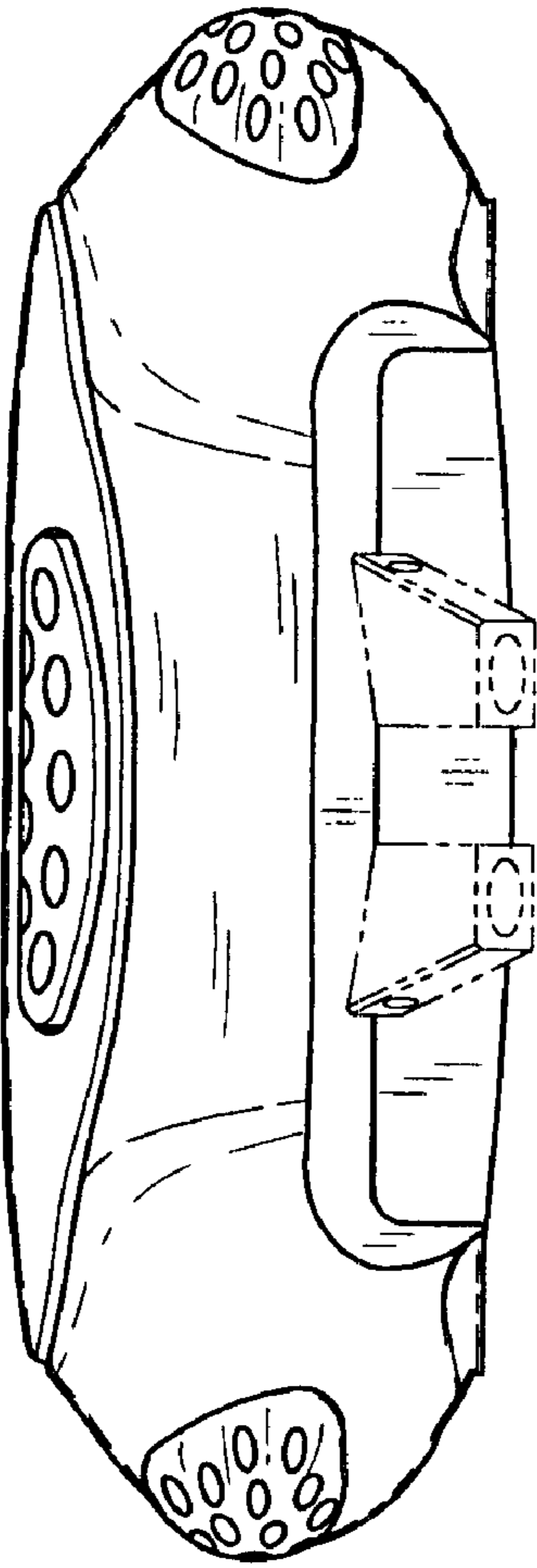
*FIG. 2*



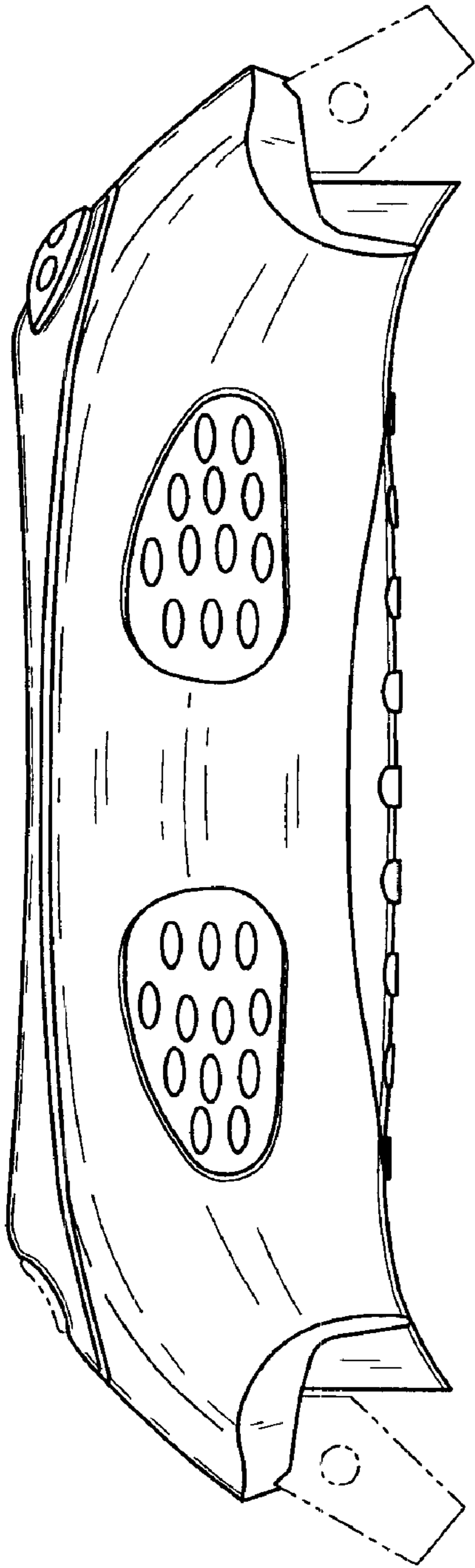
*FIG. 3*



*FIG. 4*

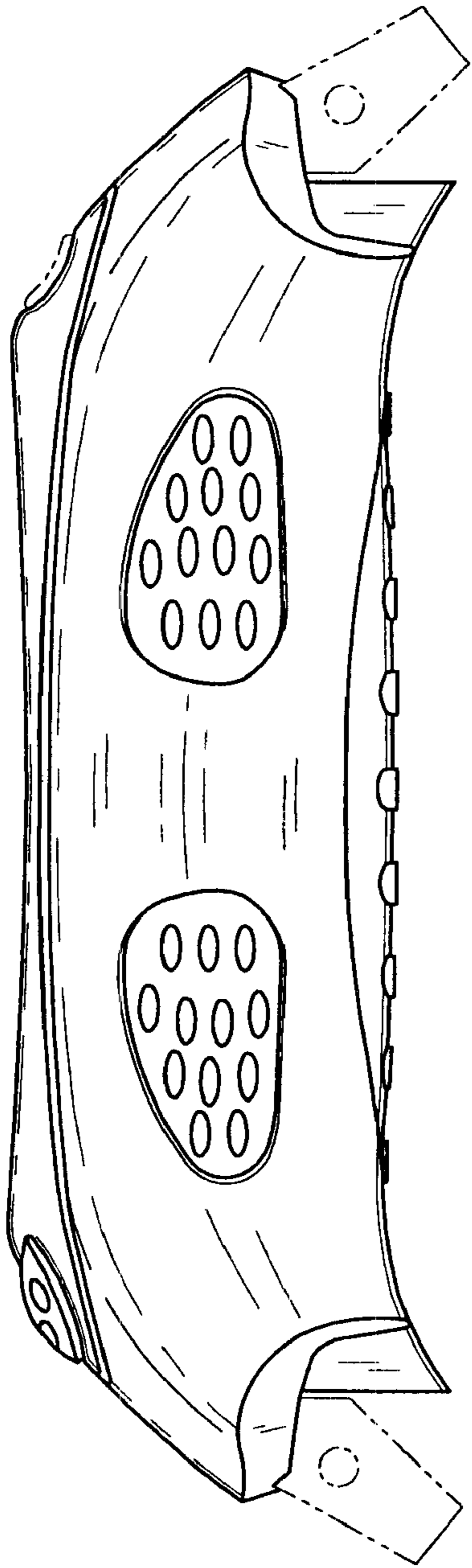


*FIG. 5*



*FIG. 6*





*FIG. 7*