



US00D456718S

(12) **United States Design Patent**  
**Scarinzi et al.**

(10) **Patent No.:** **US D456,718 S**

(45) **Date of Patent:** **\*\* May 7, 2002**

(54) **WRISTWATCH WITH LIFT-OFF BEZEL**

(75) Inventors: **Renato Scarinzi**, Bienne (CH); **Steven J. Zazuri, Jr.**, Monroe, CT (US)

(73) Assignee: **Swiss Army Brands, Inc.**, Shelton, CT (US)

(\*\*) Term: **14 Years**

(21) Appl. No.: **29/138,869**

(22) Filed: **Mar. 21, 2001**

(51) **LOC (7) Cl.** ..... **10-02**

(52) **U.S. Cl.** ..... **D10/30**

(58) **Field of Search** ..... D10/30-39, 122-132;  
368/281-282, 276-277, 285

(56) **References Cited**

**U.S. PATENT DOCUMENTS**

D96,208 S \* 7/1935 Sunshine ..... D10/30  
D316,228 S \* 4/1991 Frommherz ..... D10/30

\* cited by examiner

*Primary Examiner*—Nelson C. Holtje

(74) *Attorney, Agent, or Firm*—Pennie & Edmonds LLP

(57) **CLAIM**

The ornamental design for a wristwatch with lift-off bezel, as shown and described.

**DESCRIPTION**

FIG. 1 is a top, right, and front perspective view of an ornamental design for a wristwatch with a lift-off bezel according to the present invention;

FIG. 2 is a top plan view thereof;

FIG. 3 is a front elevational view thereof;

FIG. 4 is a right side elevational view thereof;

FIG. 5 is a rear elevational view thereof;

FIG. 6 is a left side elevational view thereof;

FIG. 7 is a bottom plan view thereof; and,

FIG. 8 is a perspective view thereof with the bezel in the lifted-off position.

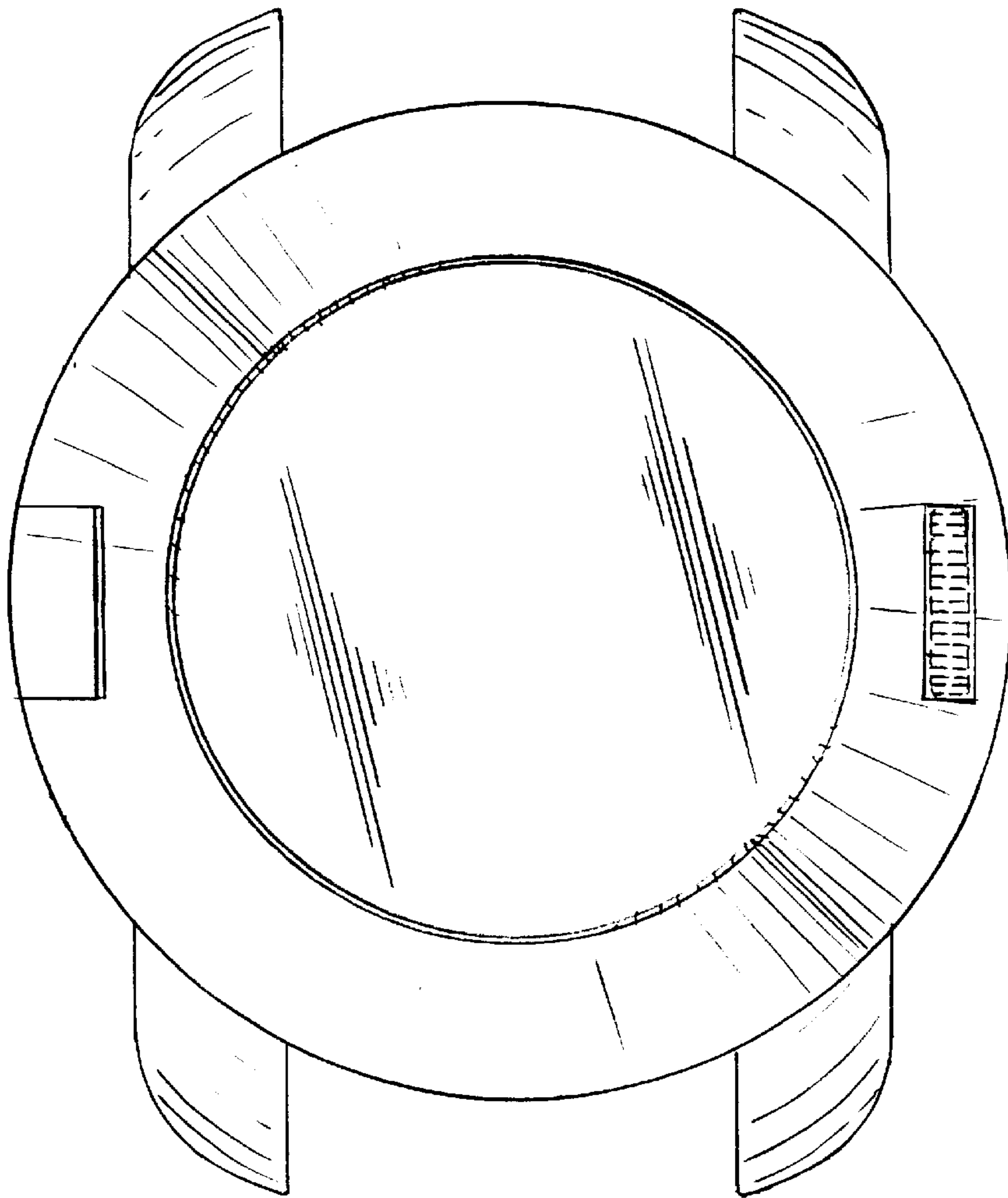
All portions shown in broken lines are environmental and illustrative only and form no part of the claimed design.

**1 Claim, 5 Drawing Sheets**

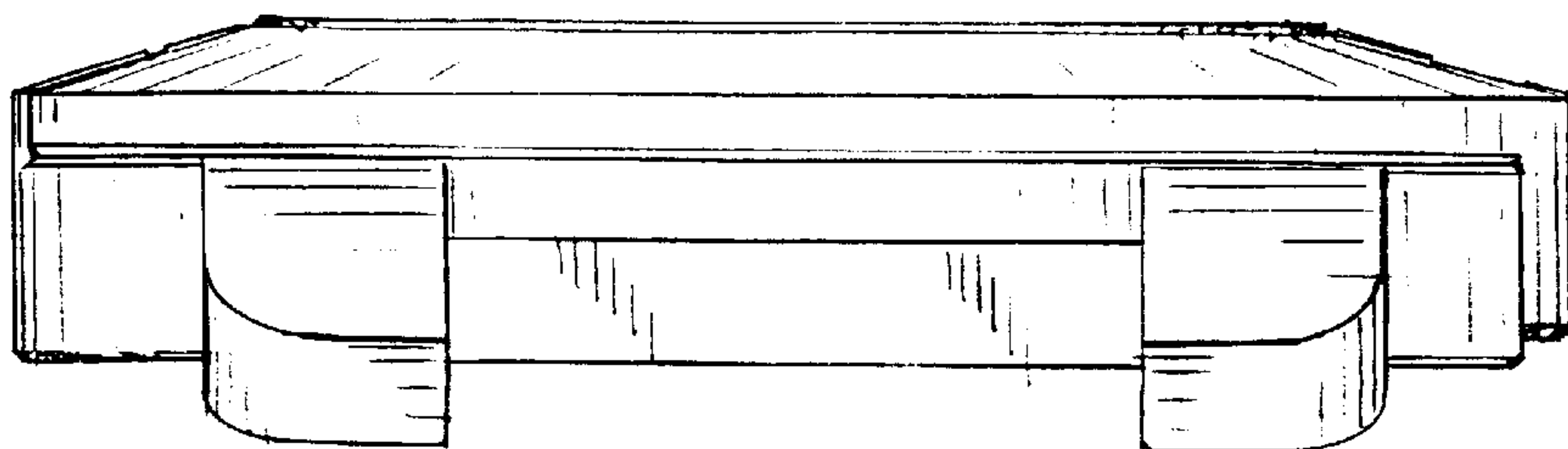




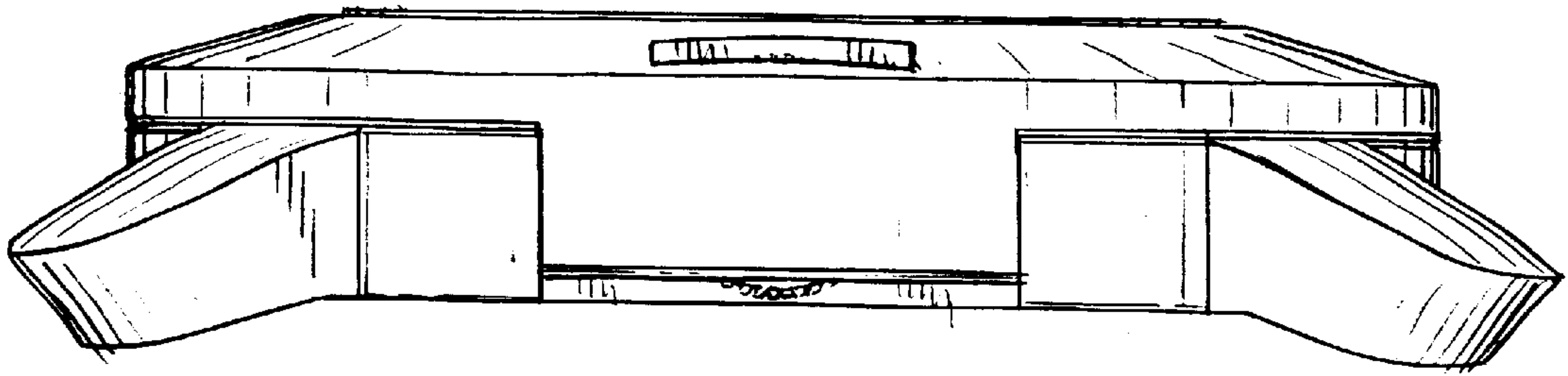
*FIG. 1*



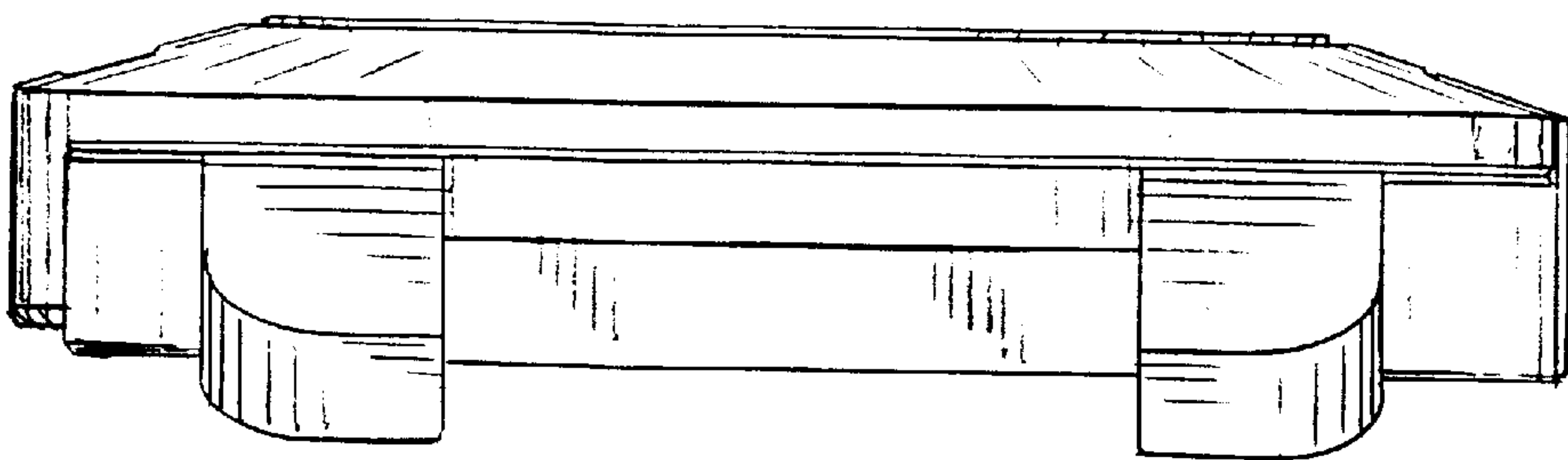
*FIG. 2*



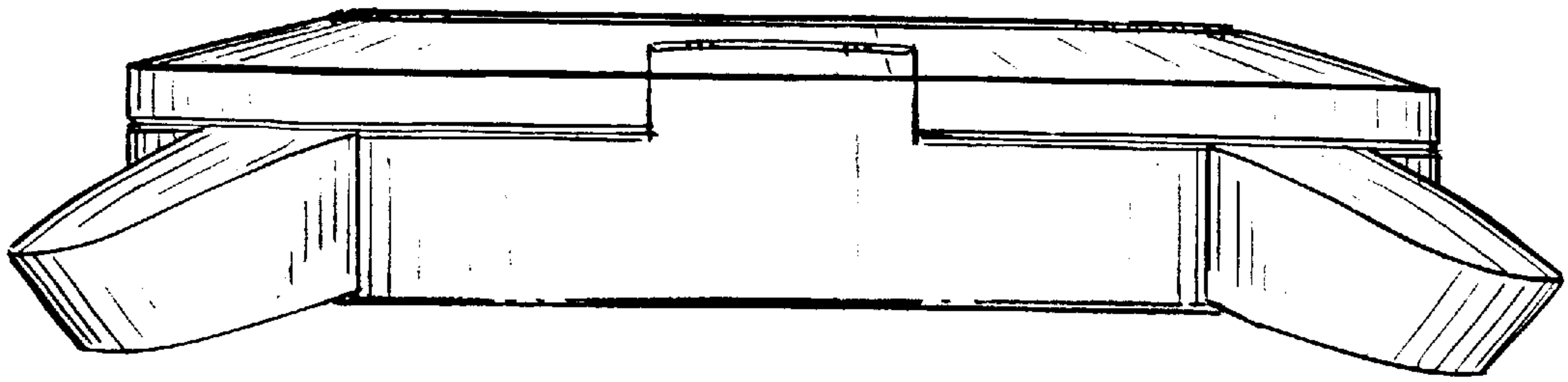
*FIG. 3*



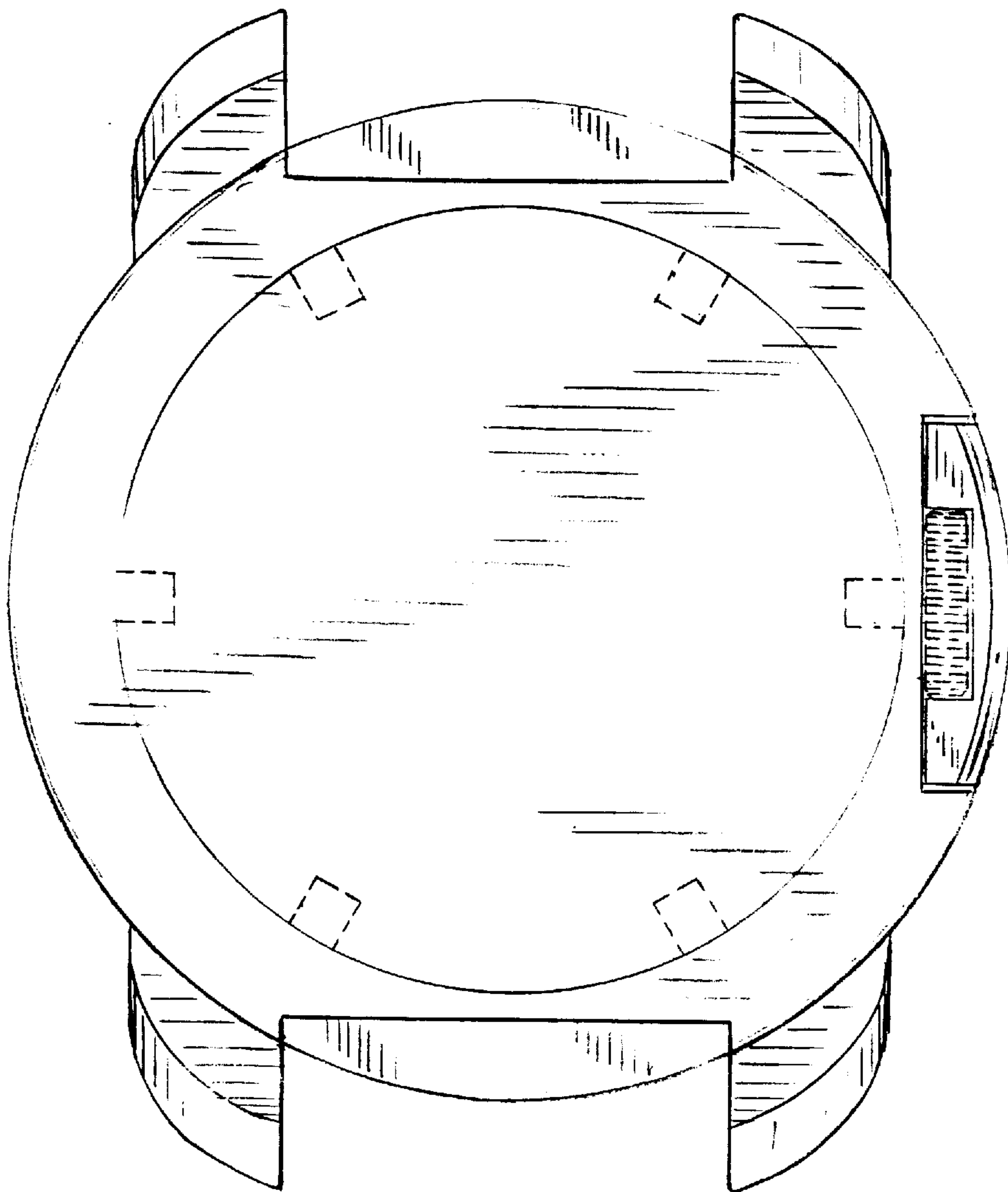
*FIG. 4*



*FIG. 5*

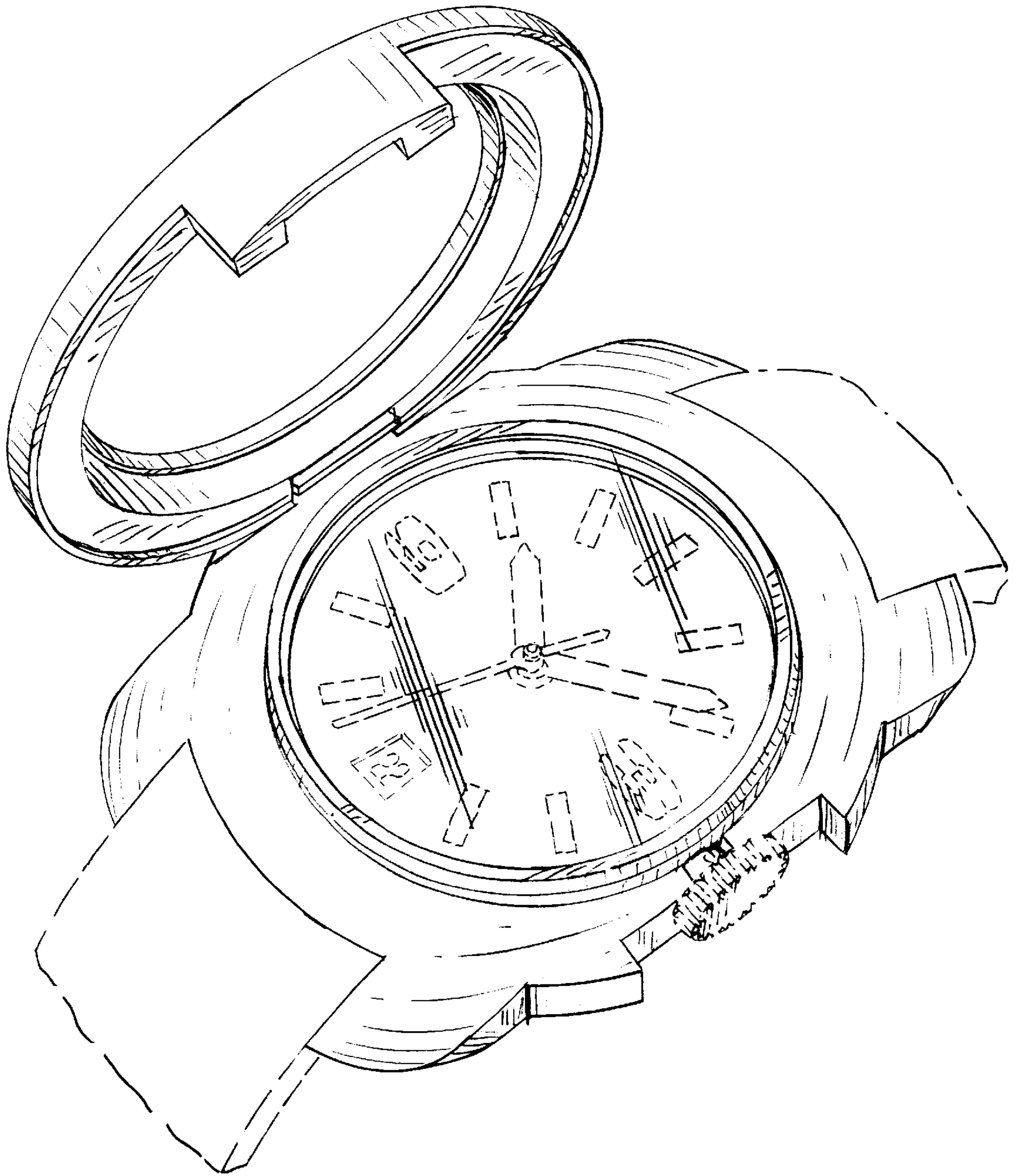


*FIG. 6*



*FIG. 7*





*FIG. 8*