



US00D456713S

(12) **United States Design Patent**
Bried et al.

(10) **Patent No.: US D456,713 S**

(45) **Date of Patent: ** May 7, 2002**

(54) **OVAL LID FOR A CONTAINER**

(75) Inventors: **David K. Bried**, Rockford; **Philip M. Baerenwald**, Rockton, both of IL (US)

(73) Assignee: **J. L. Clark, Inc.**, Rockford, IL (US)

(**) Term: **14 Years**

(21) Appl. No.: **29/142,059**

(22) Filed: **May 17, 2001**

(51) **LOC (7) Cl. 09-07**

(52) **U.S. Cl. D9/449; D9/447**

(58) **Field of Search D9/434, 435, 447, D9/449, 450; 215/235, 236**

(56) **References Cited**

U.S. PATENT DOCUMENTS

3,217,949 A	11/1965	Davis	222/480
3,255,928 A	6/1966	Foster	222/153
3,323,671 A	6/1967	Minarik, Jr. et al.	215/40
3,370,757 A	2/1968	Foster	222/153
3,412,890 A	11/1968	Rich	220/30
3,419,198 A	12/1968	Pettersen	222/541
3,836,056 A	9/1974	Pehr	222/480
3,845,872 A	11/1974	Towns et al.	215/9
3,850,350 A	11/1974	Towns et al.	222/556
4,010,875 A	3/1977	Babiol	222/517
4,059,201 A	11/1977	Foster	220/258
4,127,221 A	11/1978	Vere	222/153
4,158,902 A	6/1979	Chernack et al.	16/150
4,168,032 A	9/1979	Sneider	239/327
4,209,100 A	6/1980	Uhlig	215/216
4,220,248 A	9/1980	Wilson et al.	215/235
4,223,814 A	9/1980	Sneider	222/565
4,244,495 A	1/1981	Lorscheid et al.	222/153
4,261,480 A	4/1981	Fuss	221/304
4,291,818 A	9/1981	Nozawa et al.	220/335
4,361,250 A	11/1982	Foster	220/266
4,369,901 A	1/1983	Hidding	222/480
4,371,095 A	2/1983	Montgomery et al.	222/153
4,457,458 A	7/1984	Heinol	222/498
4,494,679 A	1/1985	Cleevely	222/151
D278,115 S *	3/1985	Leininger	D9/450 X
4,504,009 A	3/1985	Boik et al.	229/5.5

D278,602 S	4/1985	Rosenstein	D9/449
4,558,806 A	12/1985	Shabram, Sr. et al.	222/556
4,580,687 A	4/1986	Lewis	215/237
D292,889 S	11/1987	Ostrowsky	D9/449
4,736,858 A	4/1988	Shastal	215/236
4,776,501 A	10/1988	Ostrowsky	222/517
4,898,292 A	2/1990	VerWeyst et al.	215/237
4,901,892 A	2/1990	Song	222/498
D306,830 S *	3/1990	Decoster	D9/449
4,911,337 A	3/1990	Rosenthal	222/498
4,923,085 A	5/1990	Lillelund et al.	220/282
4,936,494 A	6/1990	Weidman	222/480
D314,708 S	2/1991	DeCoster	D9/449
D321,137 S	10/1991	Hofmann et al.	D9/447
D322,760 S	12/1991	Blanchette	D9/435
5,082,114 A	1/1992	Bunin	206/539
D328,711 S	8/1992	Deflander	D9/524
5,139,181 A	8/1992	VerWeyst	222/480
D329,604 S	9/1992	Kuczer	D9/449
5,163,559 A	11/1992	Bunin	206/532
D331,877 S	12/1992	Robichaud et al.	D9/449
5,176,277 A	1/1993	Schuermann	220/253

(List continued on next page.)

Primary Examiner—Dominic Simone

(74) *Attorney, Agent, or Firm*—Leydig, Voit & Mayer, LTD

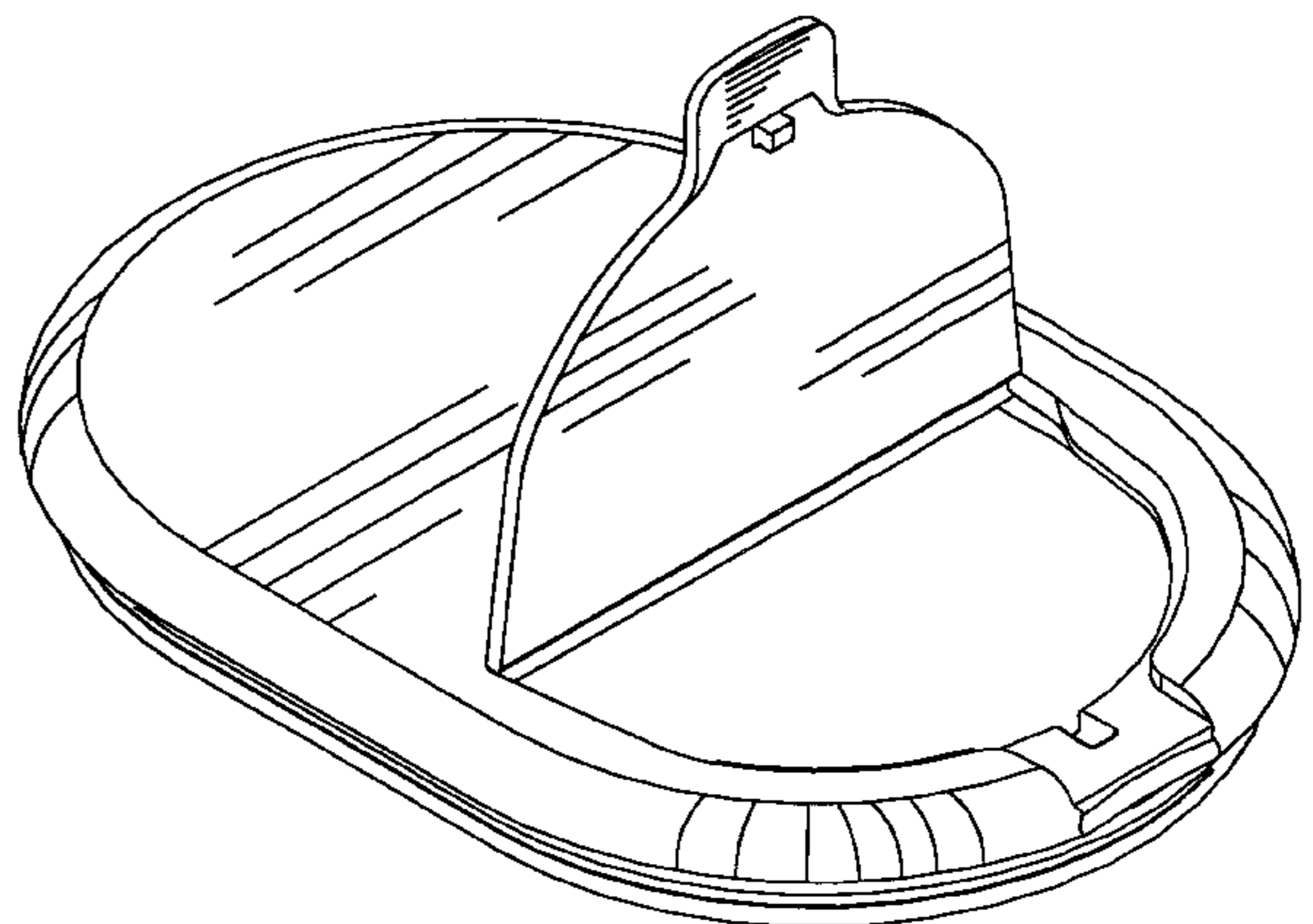
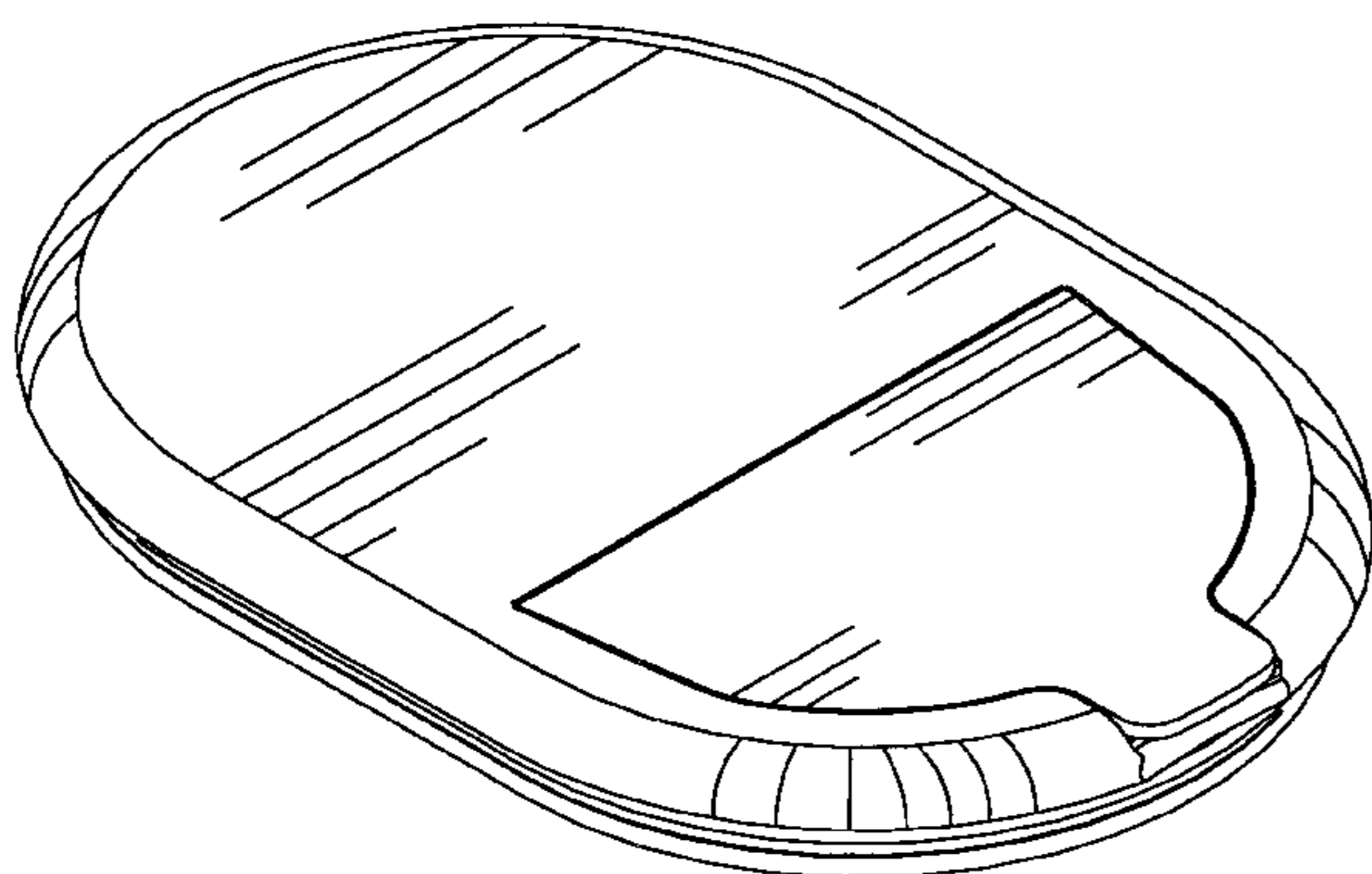
(57) **CLAIM**

We claim the ornamental design for the oval lid for a container, as shown and described.

DESCRIPTION

FIG. 1 is a perspective view of the lid having its door closed in accordance with the teachings of the present invention; FIG. 2 is a perspective view of the lid having its door open in accordance with the teachings of the present invention; FIG. 3 is a top view of the lid as shown in FIG. 1; FIG. 4 is a top view of the lid as shown in FIG. 2; FIG. 5 is a side view of the lid as shown in FIG. 1; FIG. 6 is a side view of the lid as shown in FIG. 2; FIG. 7 is a cross-sectional view, taken from the side, similar to that of FIG. 5; and, FIG. 8 is a cross-sectional view, taken from the side, similar to that of FIG. 6.

1 Claim, 3 Drawing Sheets



US D456,713 S

Page 2

U.S. PATENT DOCUMENTS

D335,817 S	5/1993	Greubel	D9/300	5,611,451 A	3/1997	Mosior et al.	220/346
D339,290 S	9/1993	Close	D9/447	5,706,981 A	1/1998	Nobakht	222/132
D340,188 S	10/1993	Forsyth	D9/449	5,718,347 A	2/1998	Walker et al.	215/209
5,273,177 A	12/1993	Campbell	220/281	5,730,310 A	3/1998	Yoshihara	220/335
5,285,917 A	2/1994	Hofmann	220/212.5	5,782,388 A	7/1998	De Nervo	222/546
5,339,993 A	8/1994	Groya et al.	222/153	5,799,838 A	9/1998	Miller	222/480
5,346,086 A	9/1994	Harris	220/254	D401,854 S	* 12/1998	DeCoster	D9/449
D352,899 S	11/1994	Molo	D9/447	D407,976 S	4/1999	Ekkert	D9/449
D355,121 S	2/1995	Kohl	D9/447	5,927,535 A	7/1999	Goth	220/254
D355,846 S	2/1995	Denney et al.	D9/449	D426,772 S	6/2000	Kahl	D9/449
D363,222 S	10/1995	Lay	D9/447	6,102,257 A	8/2000	Goyet	222/498
D363,671 S	10/1995	Mueller	D9/447	D431,458 S	10/2000	Bried et al.	D9/339
5,499,736 A	3/1996	Kohl	220/254	D448,296 S	* 9/2001	Bried et al.	D9/449
D369,942 S	5/1996	Ahern, Jr.	D7/391	D448,668 S	* 10/2001	Baerenwald et al.	D9/449
5,531,347 A	7/1996	Goulding	220/256				

* cited by examiner

FIG. 2

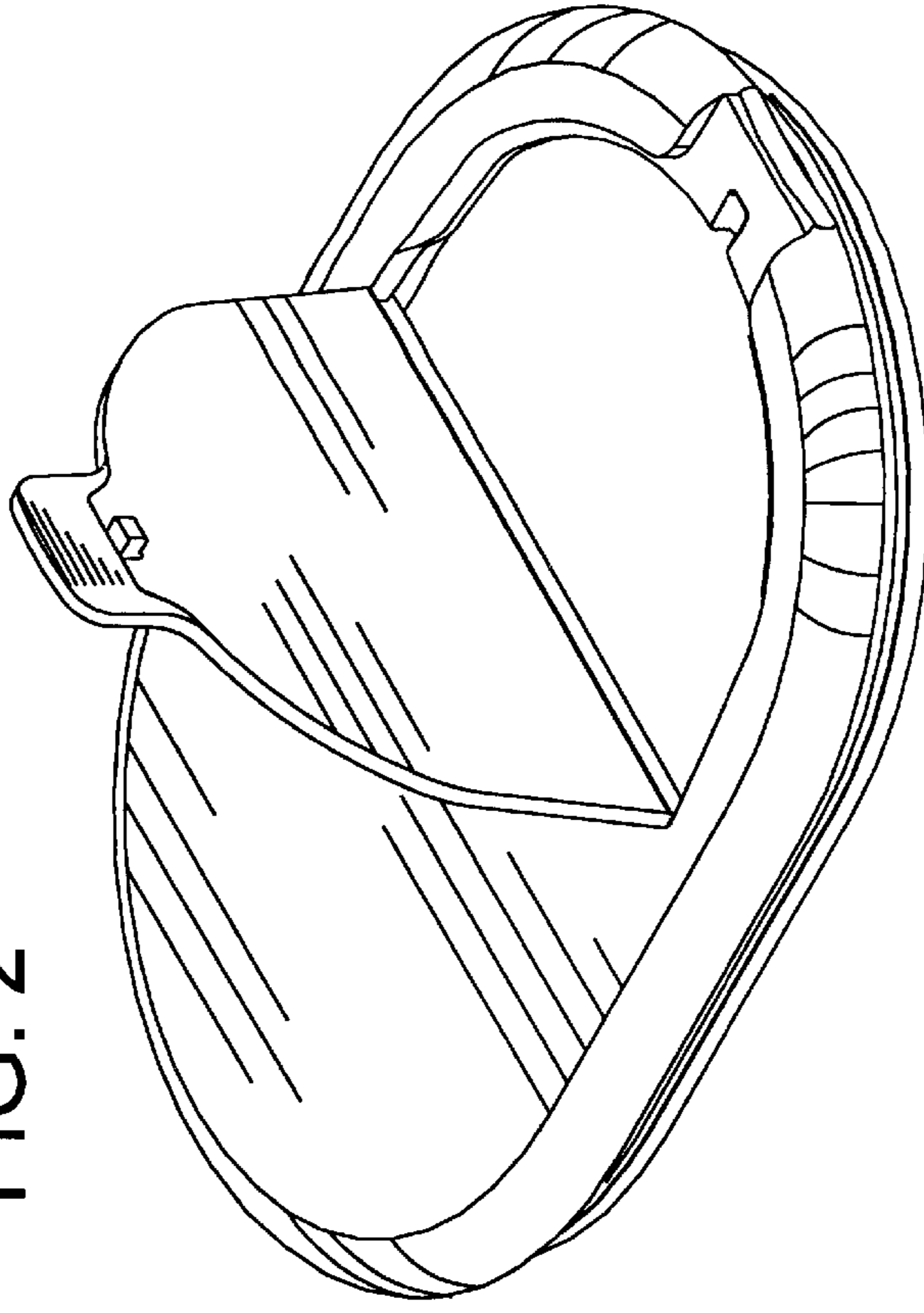


FIG. 1

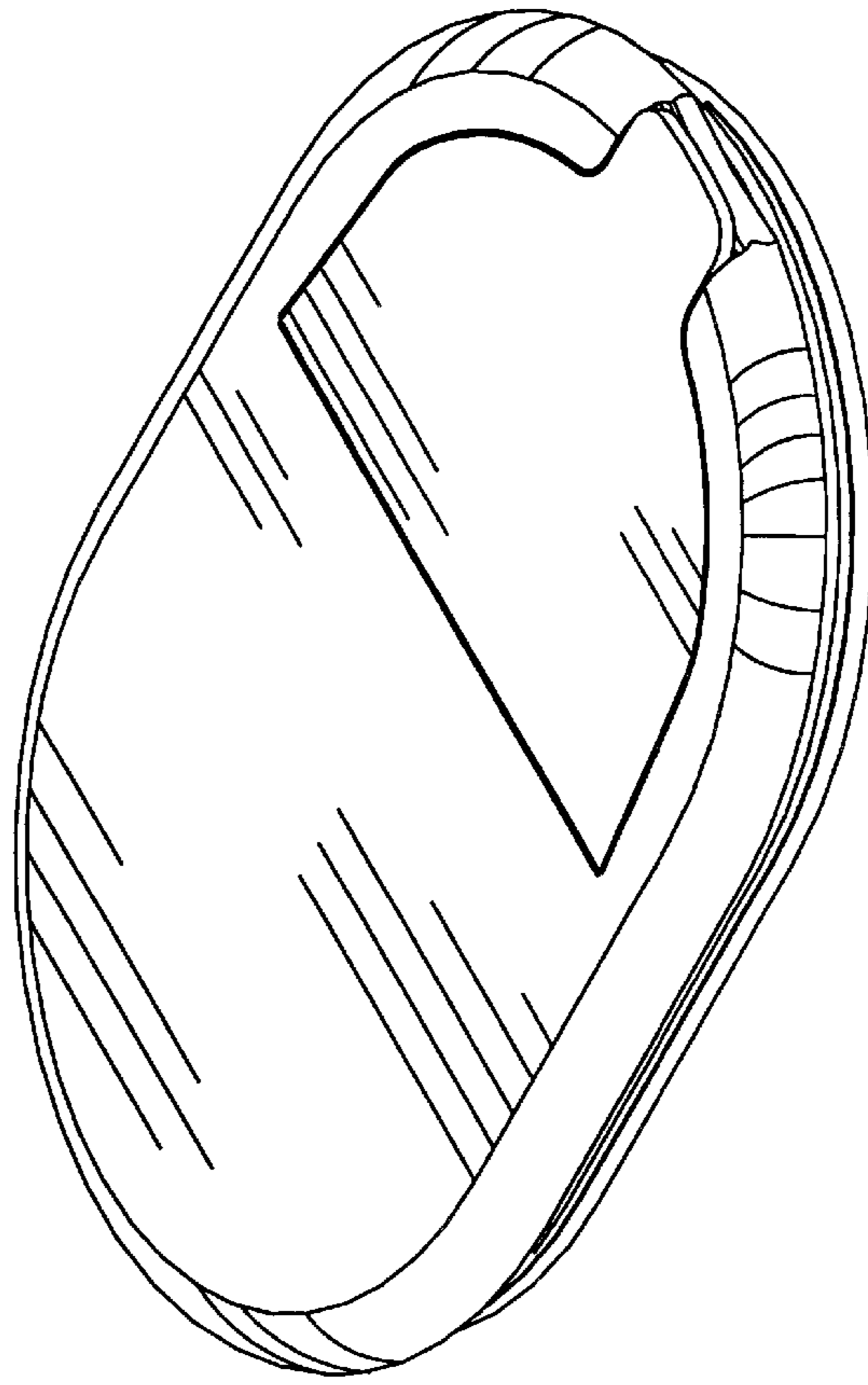


FIG. 3

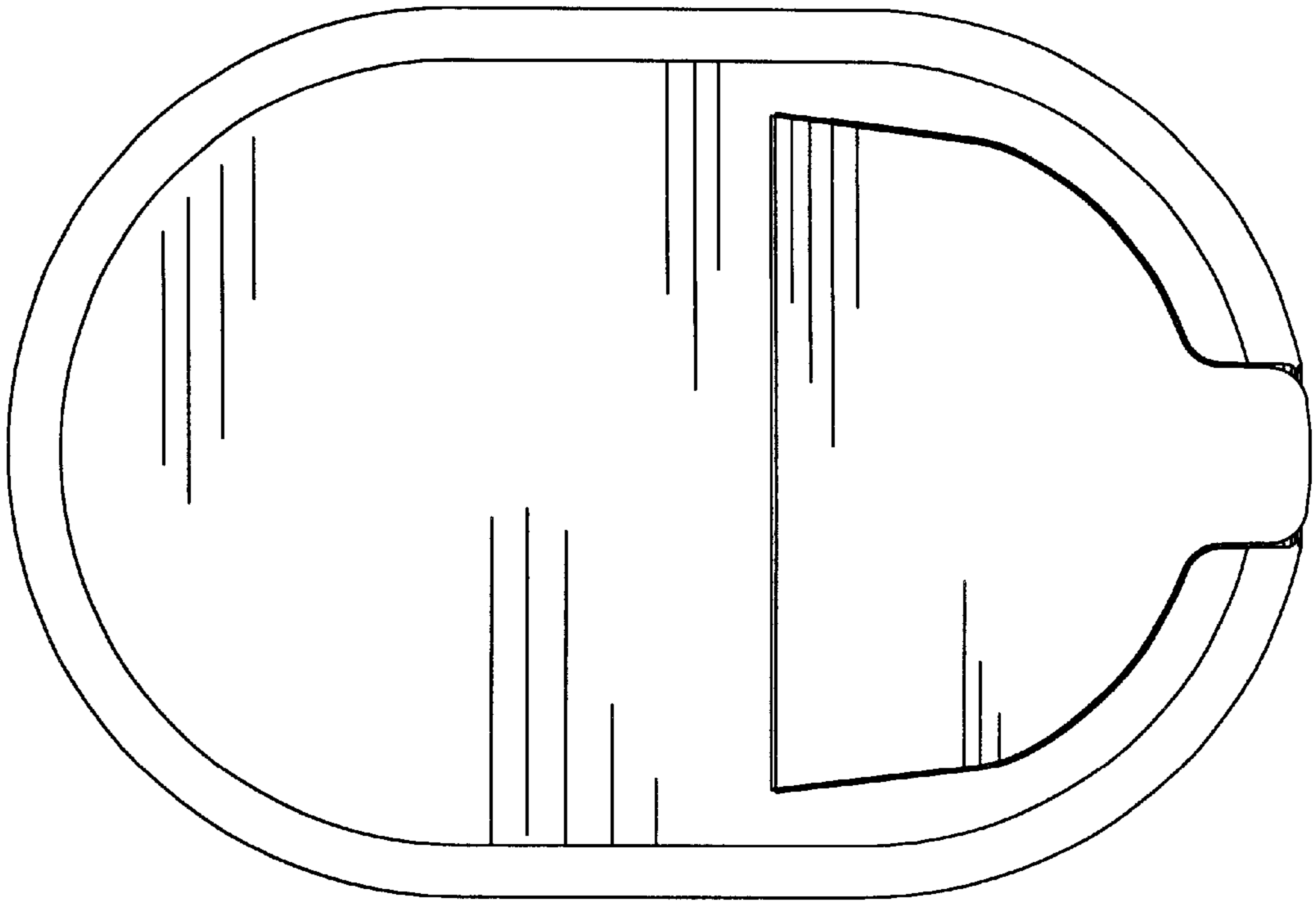


FIG. 4

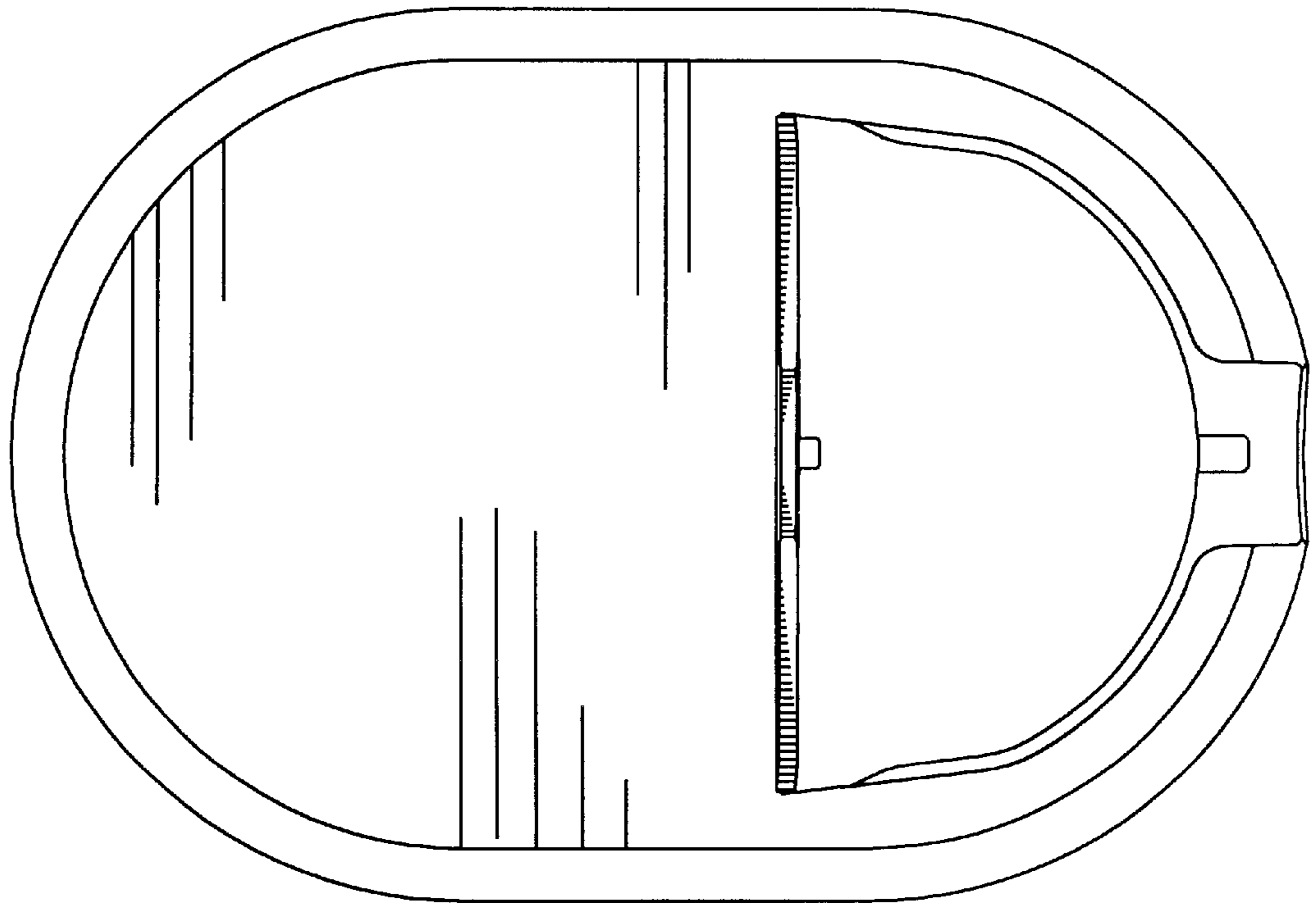


FIG. 5

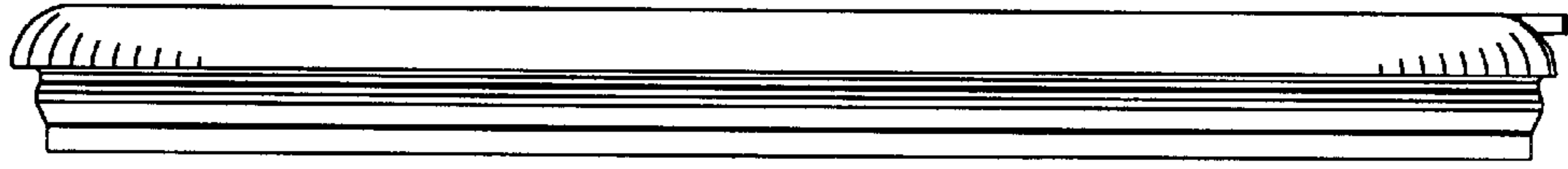


FIG. 6

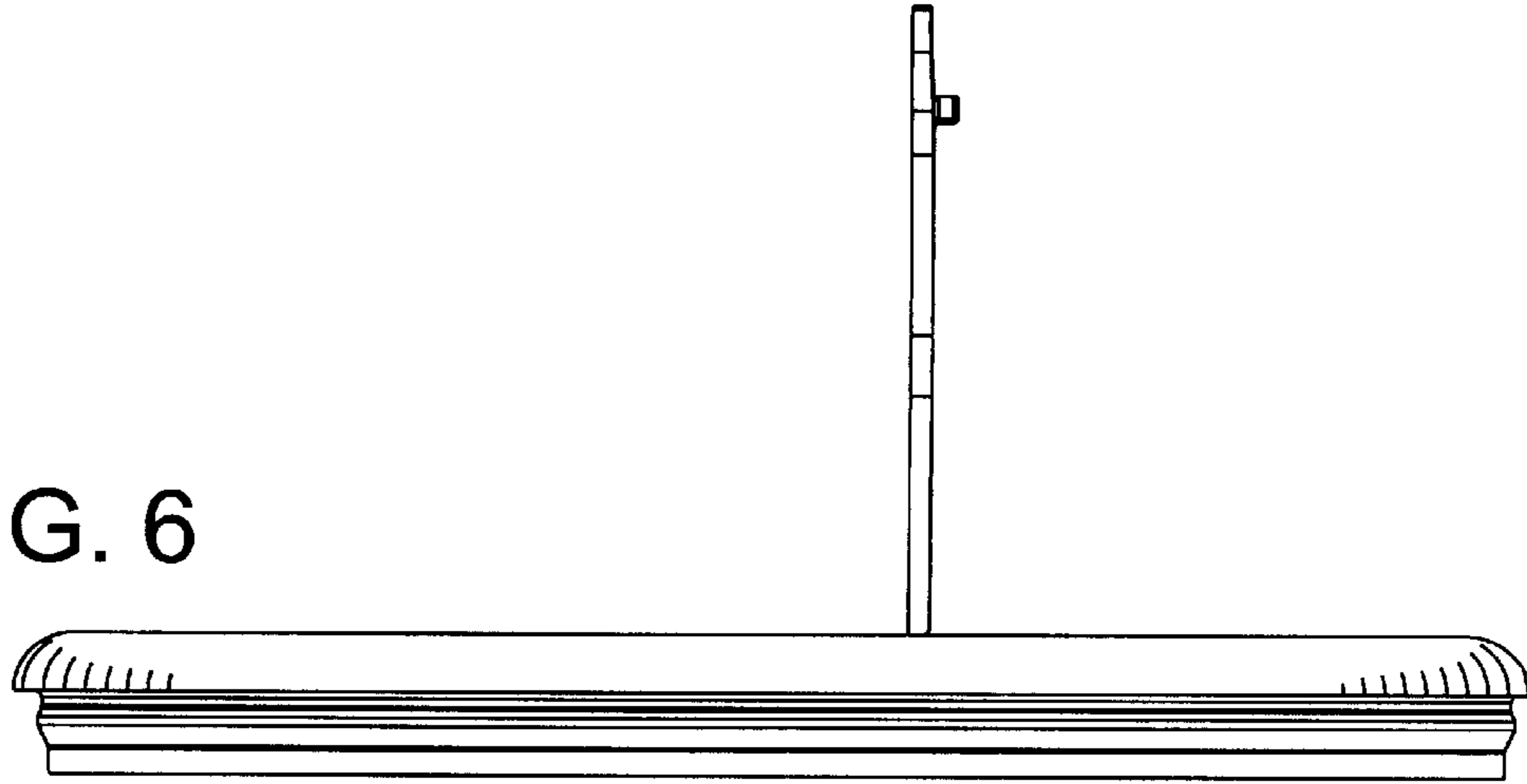


FIG. 7

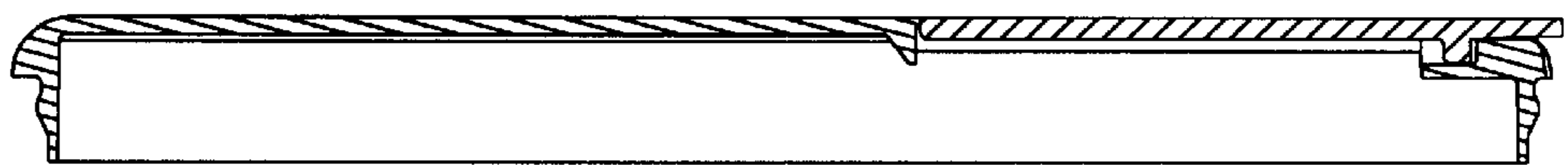


FIG. 8

