



US00D456709S

(12) **United States Design Patent**
Dionisio

(10) **Patent No.:** **US D456,709 S**

(45) **Date of Patent:** **** May 7, 2002**

(54) **PACKAGING UNIT FOR CANDLES**

D393,800 S * 4/1998 Harrison D9/418

(75) Inventor: **Thomas Dionisio**, Mission Viejo, CA (US)

* cited by examiner

(73) Assignee: **Aroma Naturals, Inc.**, Irvine, CA (US)

Primary Examiner—Ted Shooman

Assistant Examiner—Carol Rademaker

(**) Term: **14 Years**

(74) *Attorney, Agent, or Firm*—Thomas N. Neiman; James M. Leas

(21) Appl. No.: **29/110,646**

(57) **CLAIM**

(22) Filed: **Sep. 10, 1999**

The ornamental design for a packaging unit for candles, as shown and described.

(51) **LOC (7) Cl.** **09-03**

DESCRIPTION

(52) **U.S. Cl.** **D9/418; D9/432**

(58) **Field of Search** D9/337, 341, 414-418, D9/423-424, 430-433; 229/103.2, 148, 160.2, 162, 185; 446/419

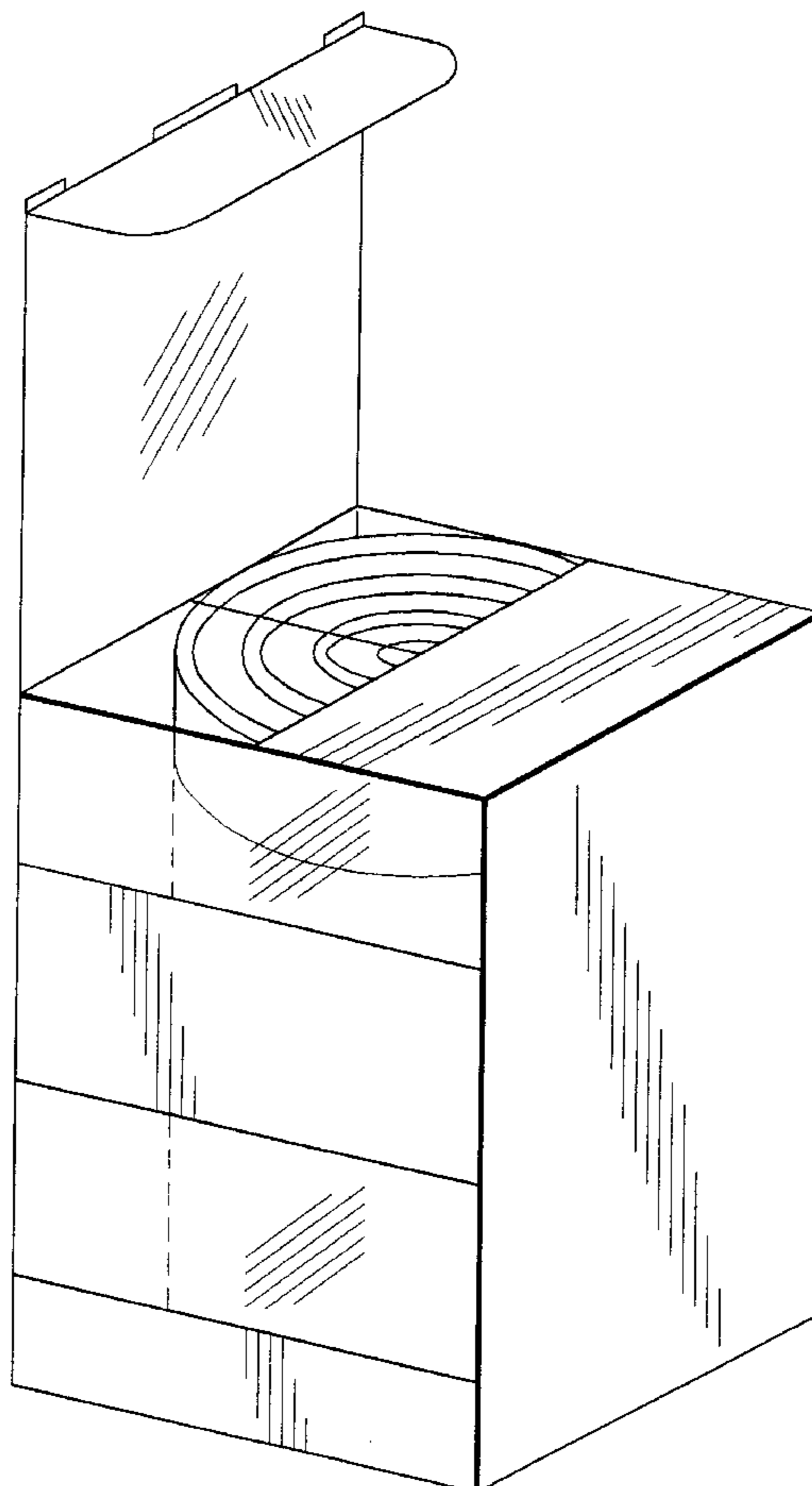
FIG. 1 is a top plan view of the packaging unit for candles; FIG. 2 is a rear elevational view thereof; FIG. 3 is a front elevational view thereof; FIG. 4 is a side elevational view thereof, the opposite side view being a mirror image thereof; FIG. 5 is an enlarged perspective view of the packaging unit for candles with the top portion opened (the hatched lines showing a candle for illustrative purposes only); and, FIG. 6 is an enlarged perspective view of the packaging unit for candles with the top portion opened. The broken line showing in FIG. 6 is for illustrative purposes only and forms no part of the claimed design.

(56) **References Cited**

U.S. PATENT DOCUMENTS

674,009	A	*	5/1901	Lewis	229/160.2
1,642,901	A	*	9/1927	Srofe	446/419
2,027,488	A	*	1/1936	Ness	229/103.2
D311,685	S	*	10/1990	Tozawa	D9/423
D311,686	S	*	10/1990	Tozawa	D9/423
5,100,052	A	*	3/1992	Vajtay	229/162
D359,681	S	*	6/1995	Murphy	D9/418

1 Claim, 2 Drawing Sheets



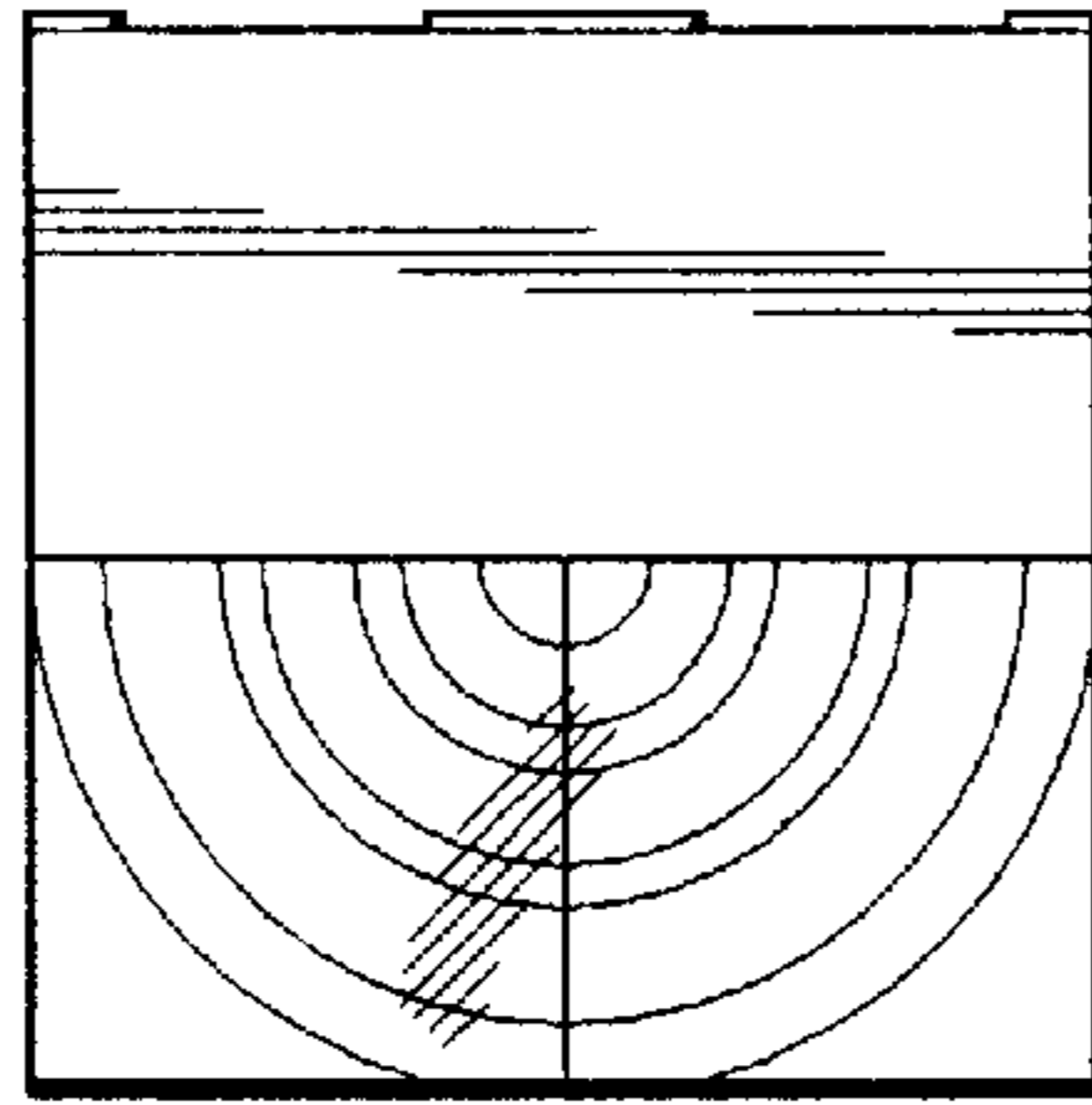


FIG. 1

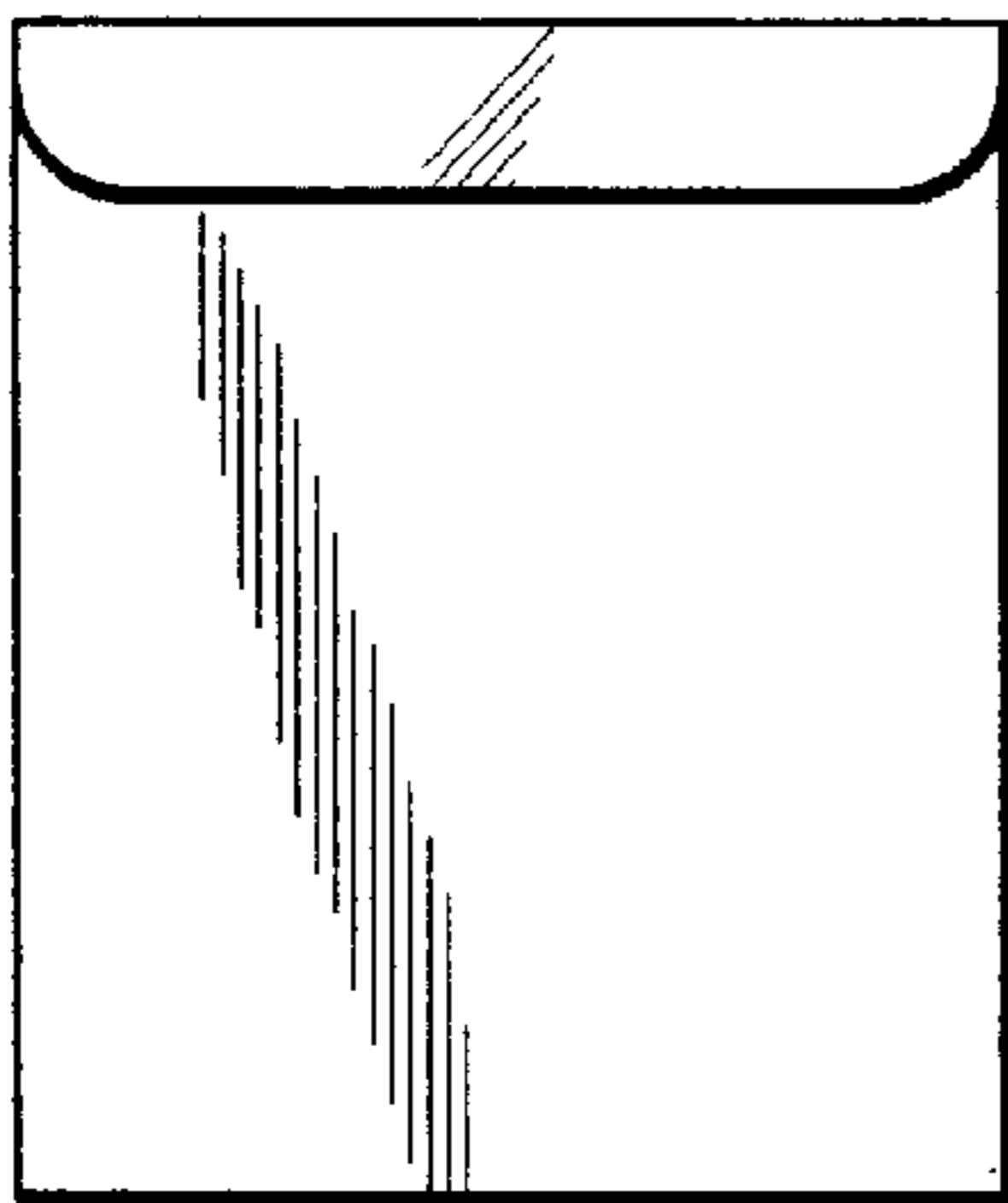


FIG. 2

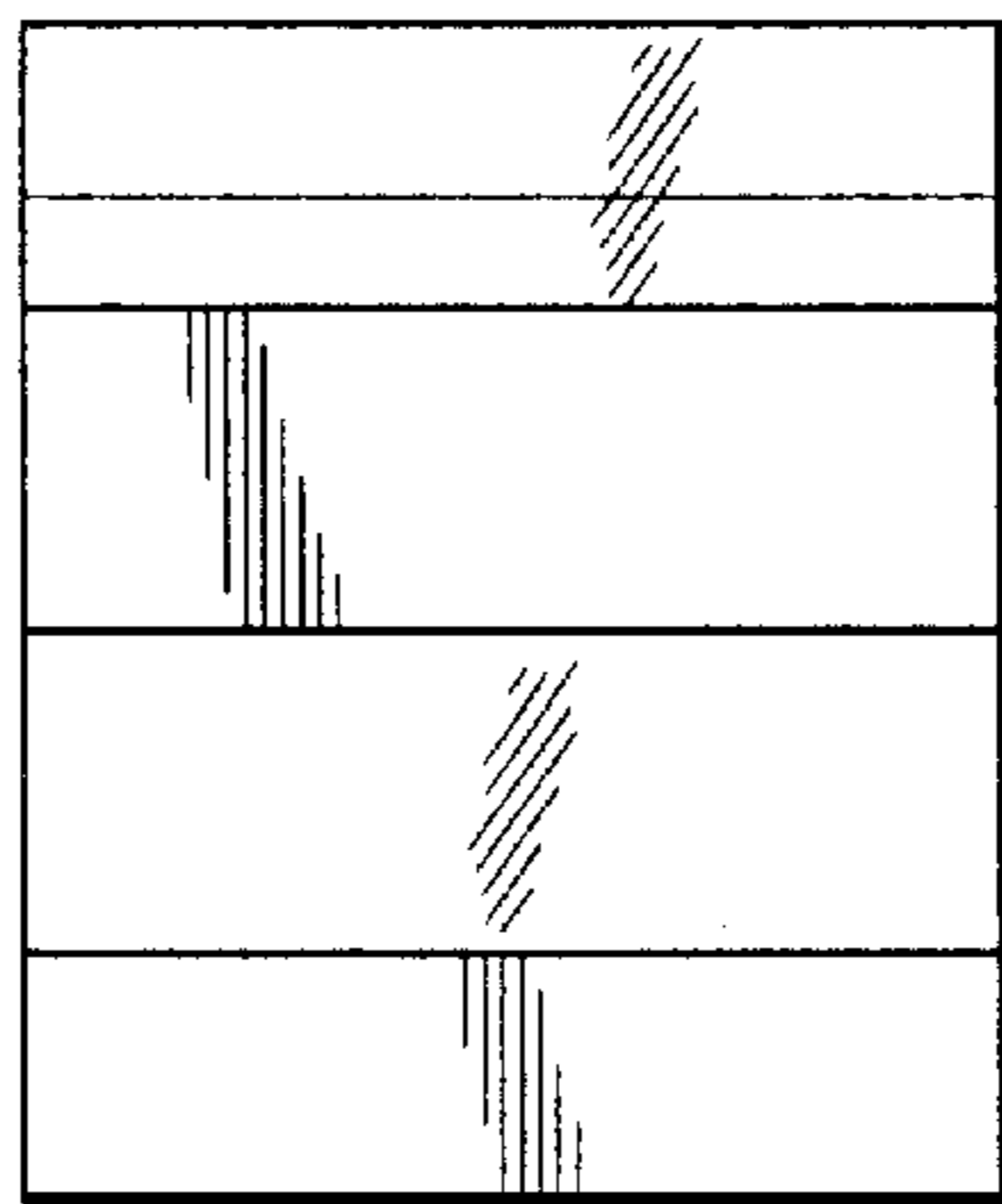


FIG. 3

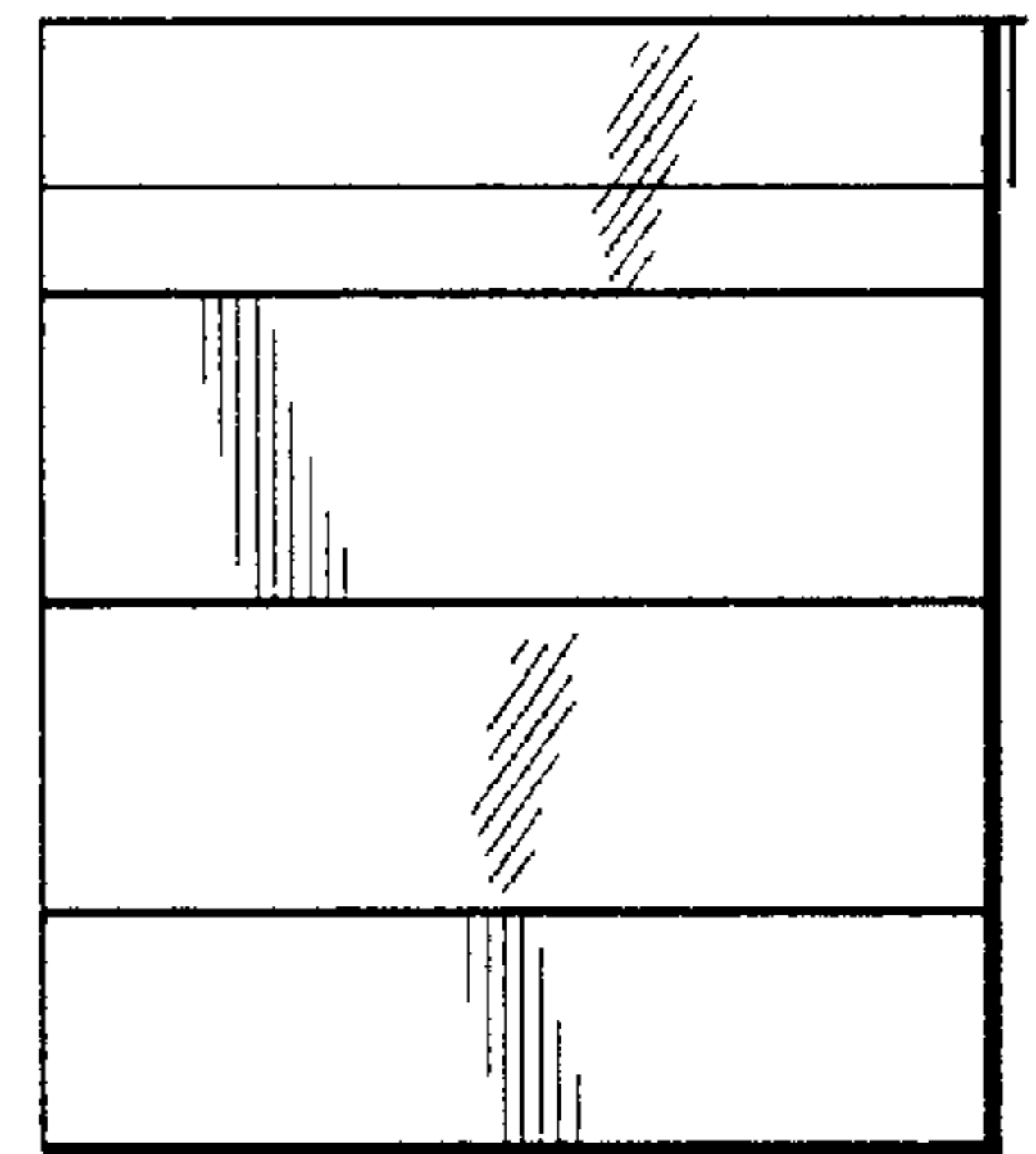


FIG. 4

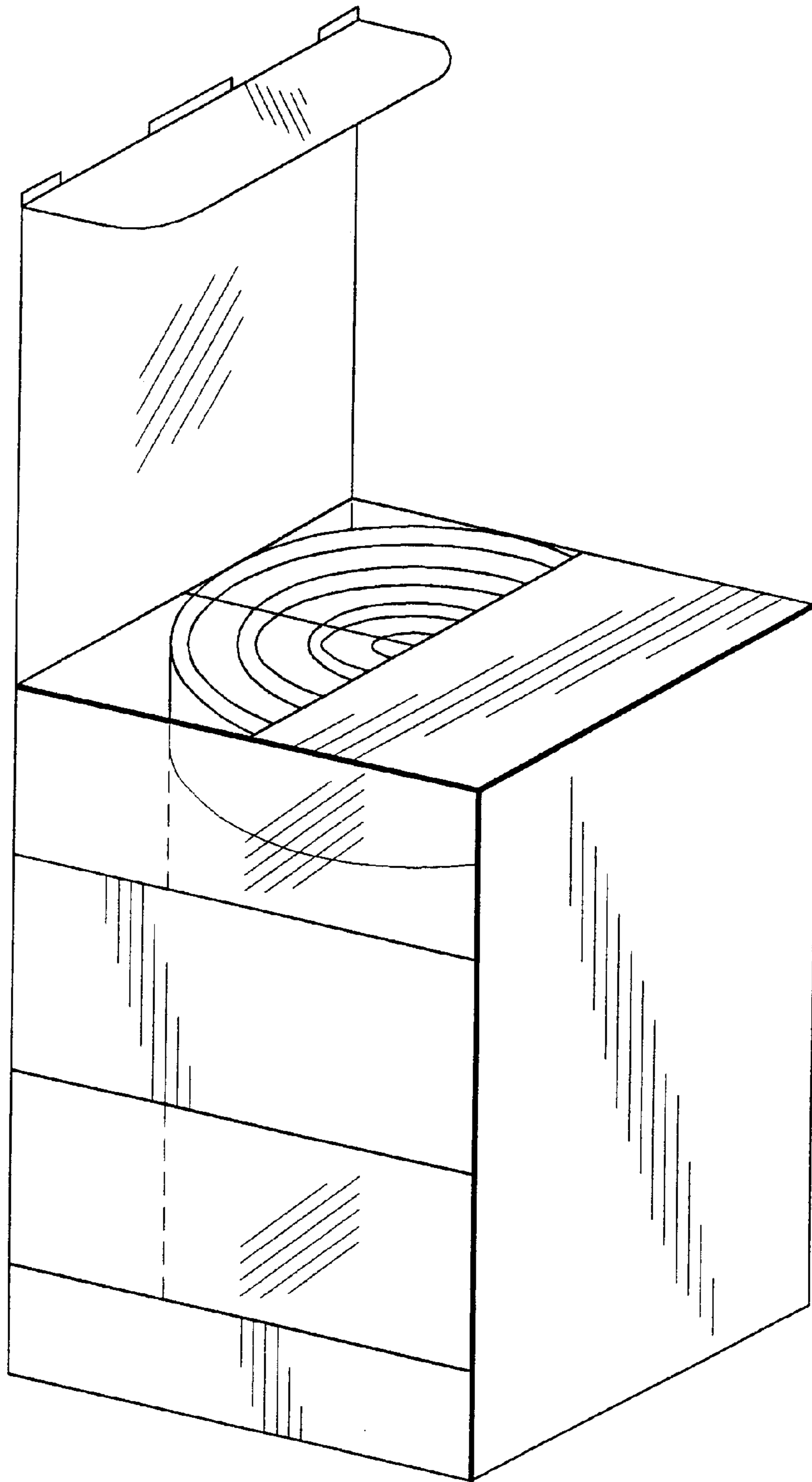


FIG. 5