



US00D456705S

(12) **United States Design Patent**
Vijn

(10) **Patent No.:** **US D456,705 S**

(45) **Date of Patent:** **** May 7, 2002**

(54) **CONTAINER**

D337,522 S * 7/1993 Kingsbury D9/307 X

(76) Inventor: **Henk W. J. Vijn**, Operaweg 22, 3816
ED Amersfoort (NL)

* cited by examiner

(**) Term: **14 Years**

Primary Examiner—Terry A. Wallace

(74) *Attorney, Agent, or Firm*—Knoble & Yoshida, LLC

(21) Appl. No.: **29/136,114**

(57) **CLAIM**

(22) Filed: **Jan. 26, 2001**

The ornamental design for a container, as shown and described.

(30) **Foreign Application Priority Data**

DESCRIPTION

Sep. 22, 2000 (BX) 77528-00

(51) **LOC (7) Cl.** **09-01**

(52) **U.S. Cl.** **D9/307**

(58) **Field of Search** D9/307, 538, 555;
D21/681; 206/457; 215/382-400; 482/106,
108

FIG. 1 is a perspective view of the container design;
FIG. 2 is a bottom plan view of the container design;
FIG. 3 is a top plan view of the container design;
FIG. 4 is a front view of the container design;
FIG. 5 is a rear view of the container design;
FIG. 6 is a left side view of the container design; and,
FIG. 7 is a right side view of the container design.

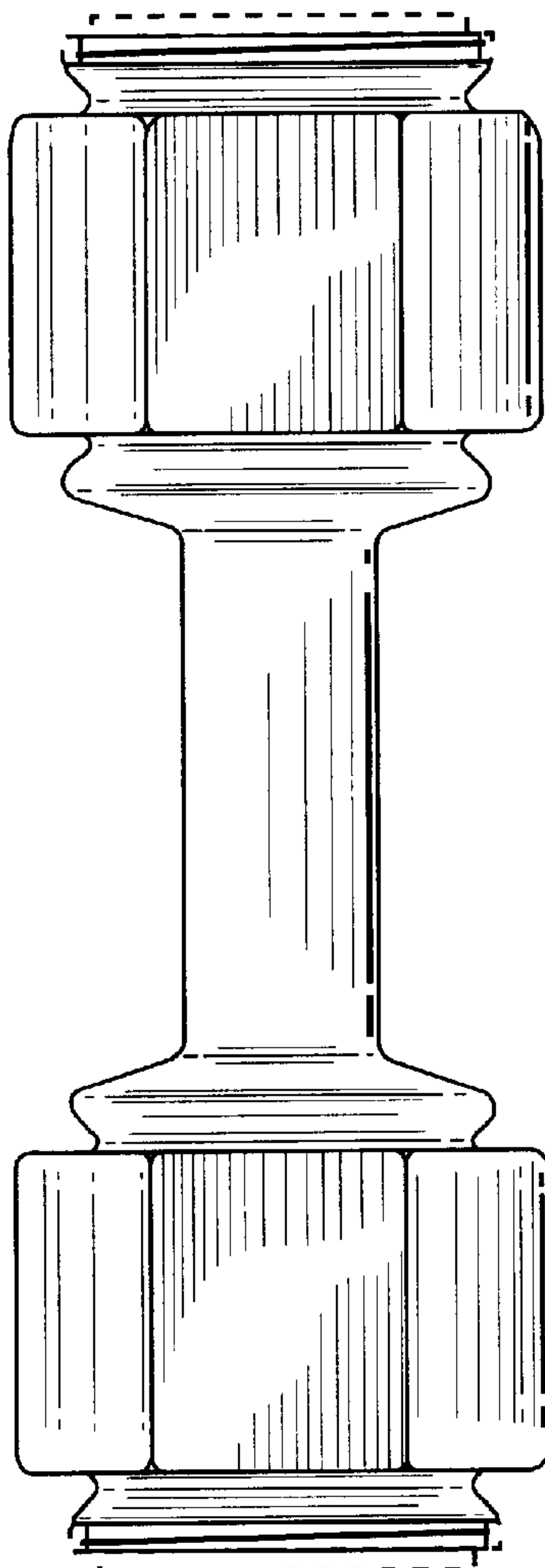
(56) **References Cited**

The broken lines showing covers for the top and bottom of the container are for illustrative purposes only and do not form a part of the claimed design.

U.S. PATENT DOCUMENTS

4,538,806 A * 9/1985 Wilkerson 482/108
D317,256 S * 6/1991 Samuels D9/307 X

1 Claim, 3 Drawing Sheets



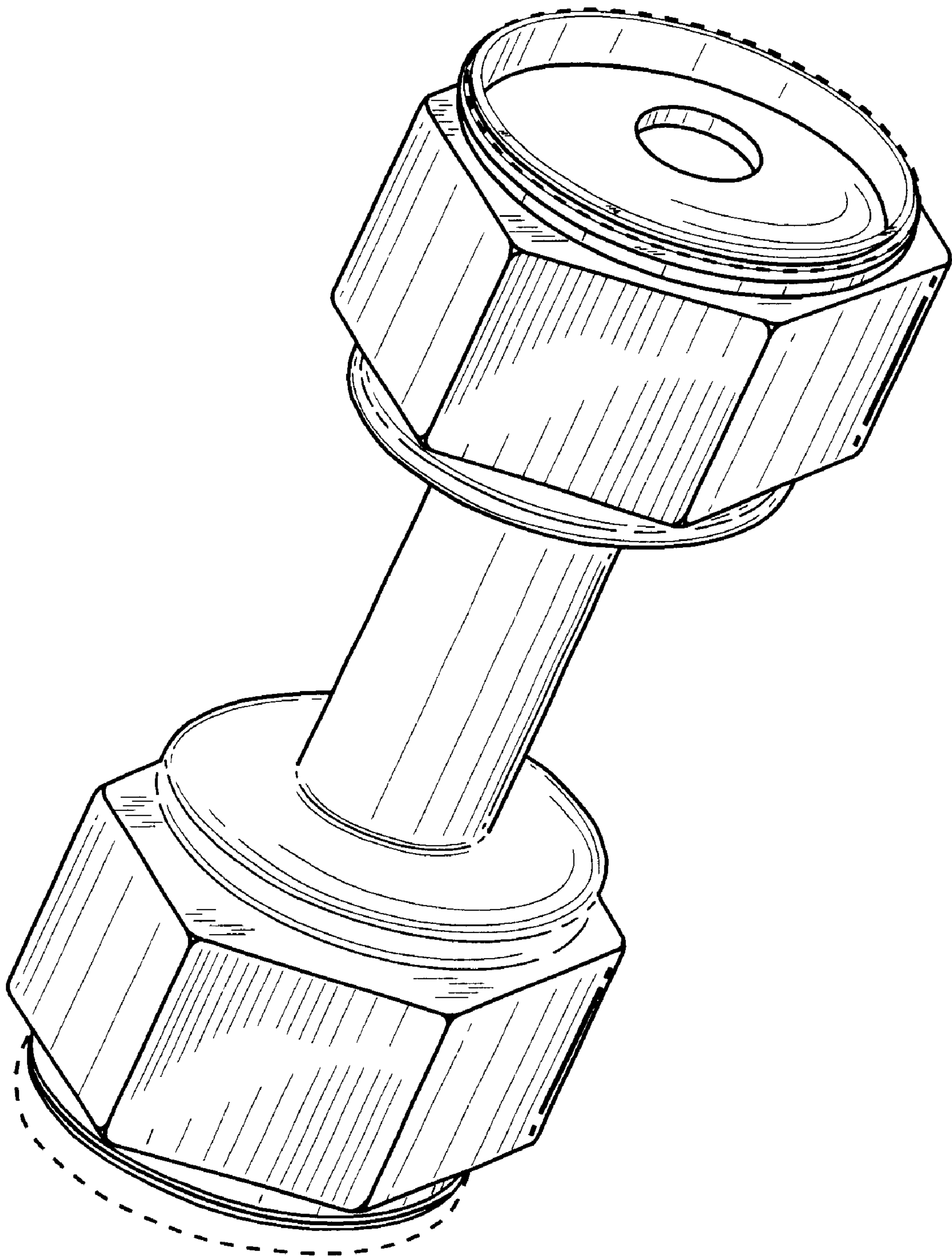


FIG. 1

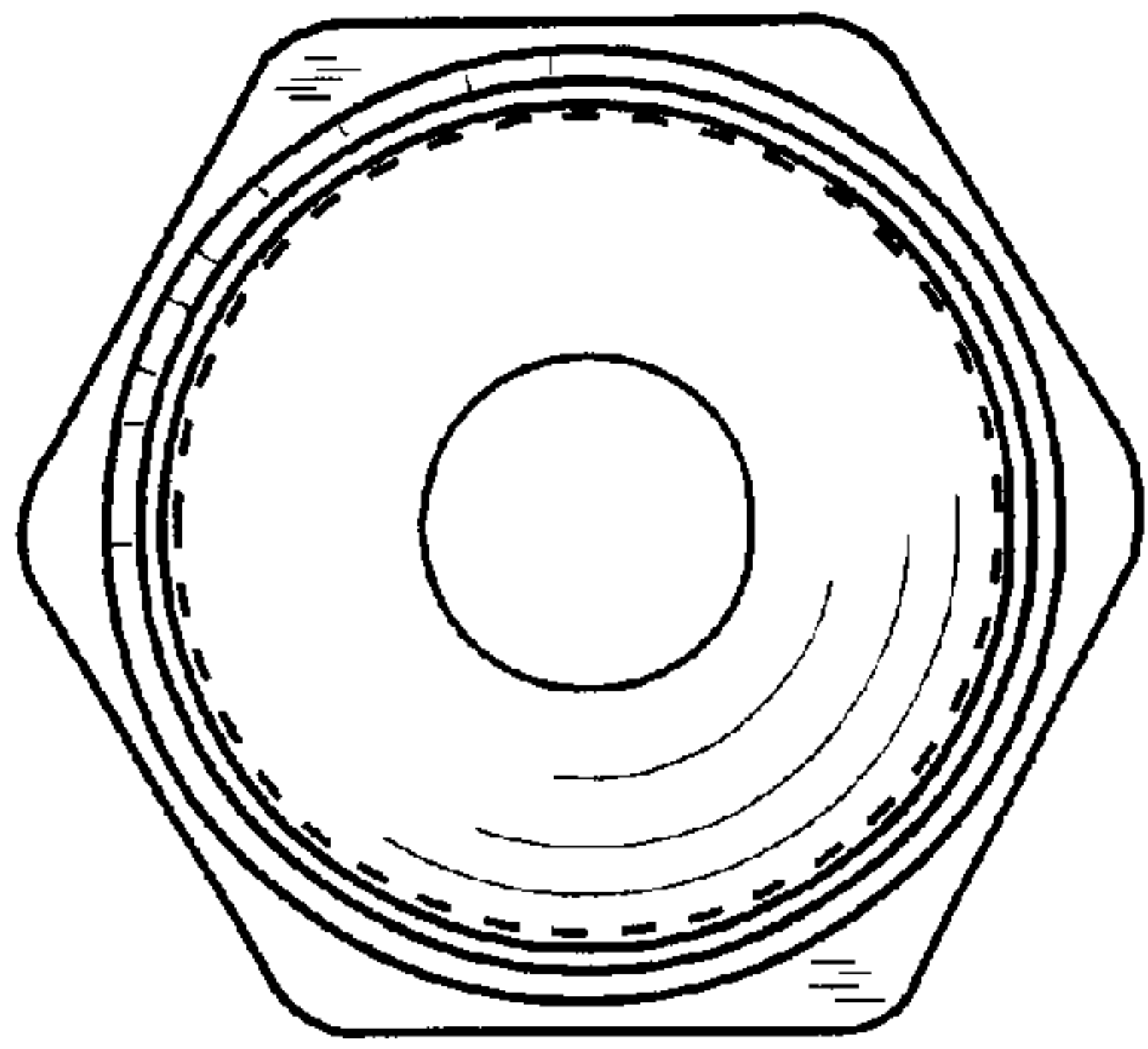


FIG. 2

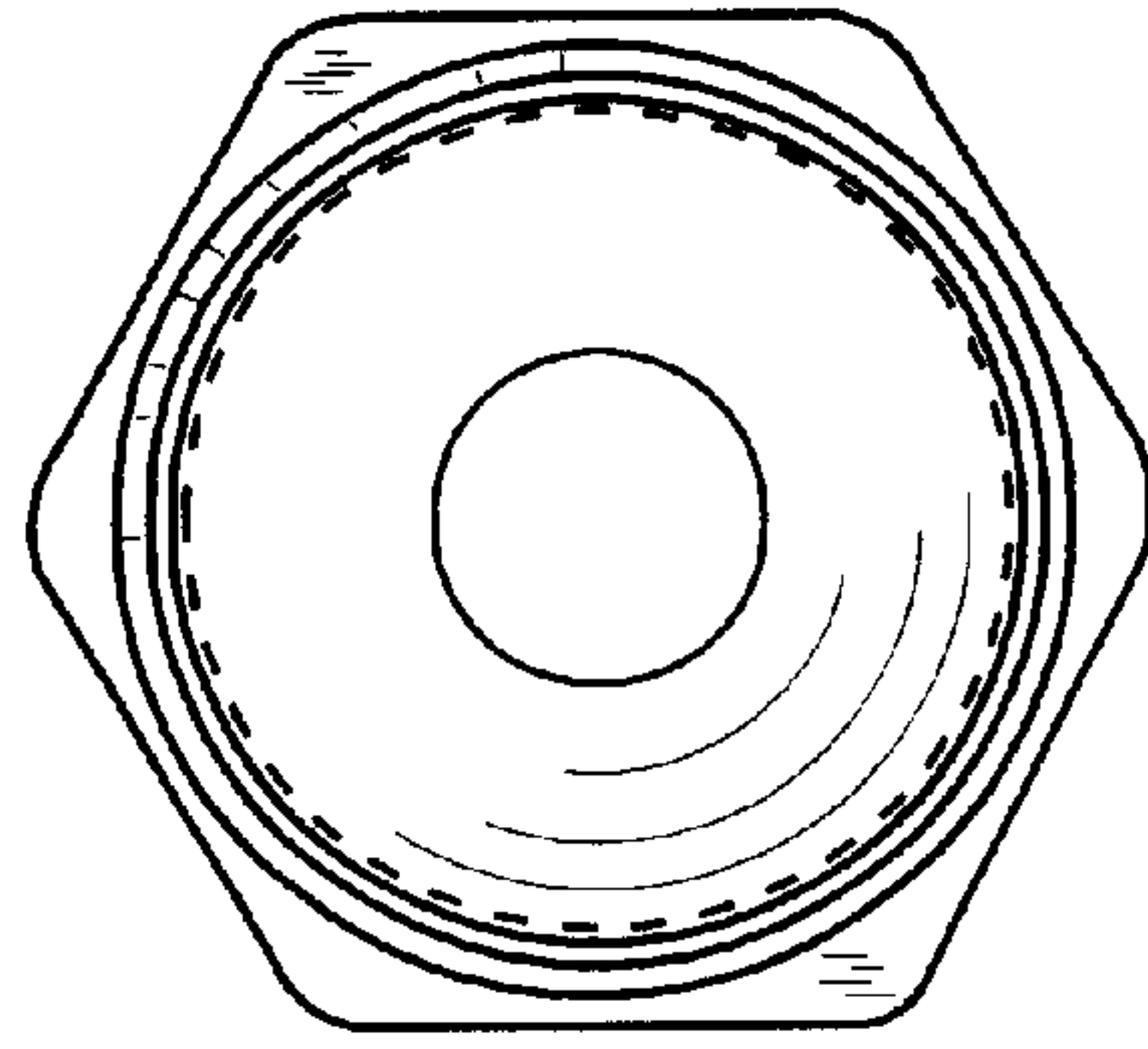


FIG. 3

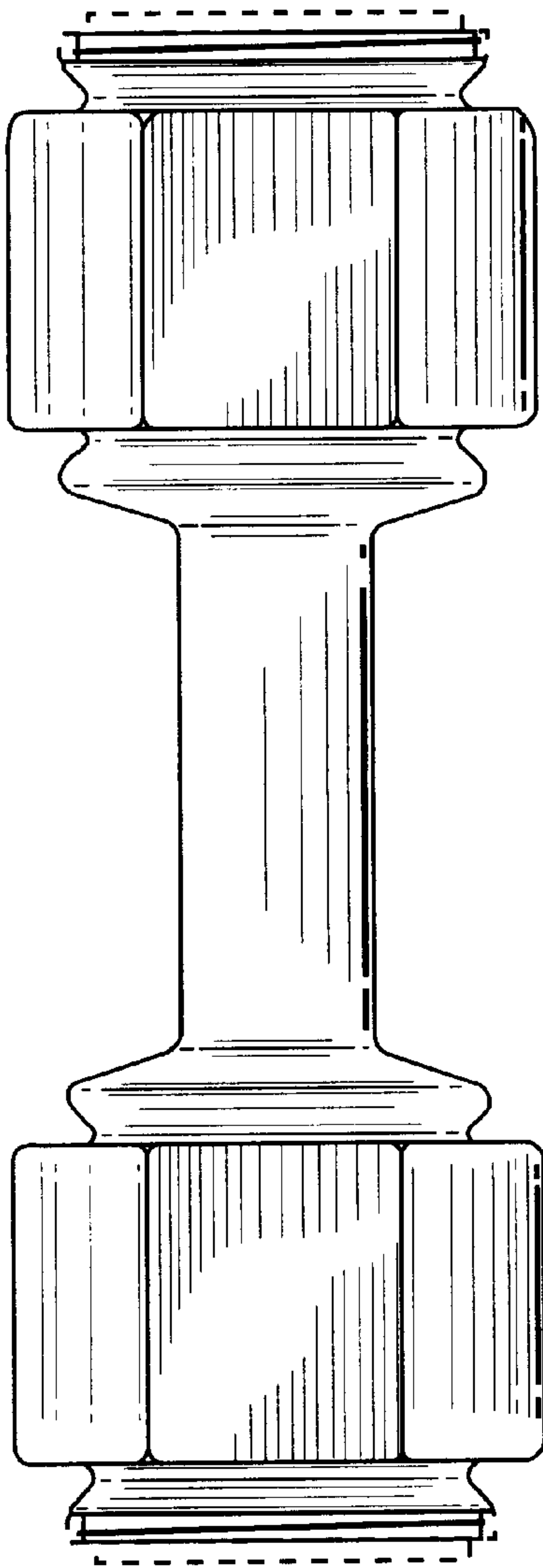


FIG. 4

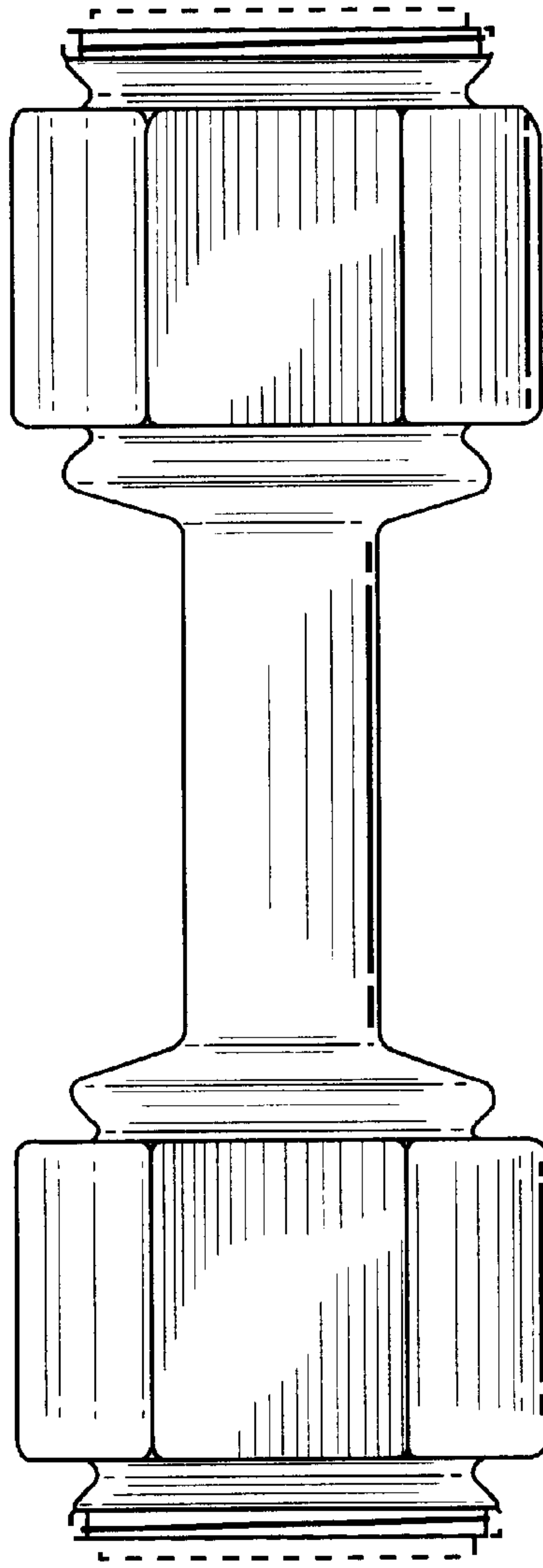


FIG. 5

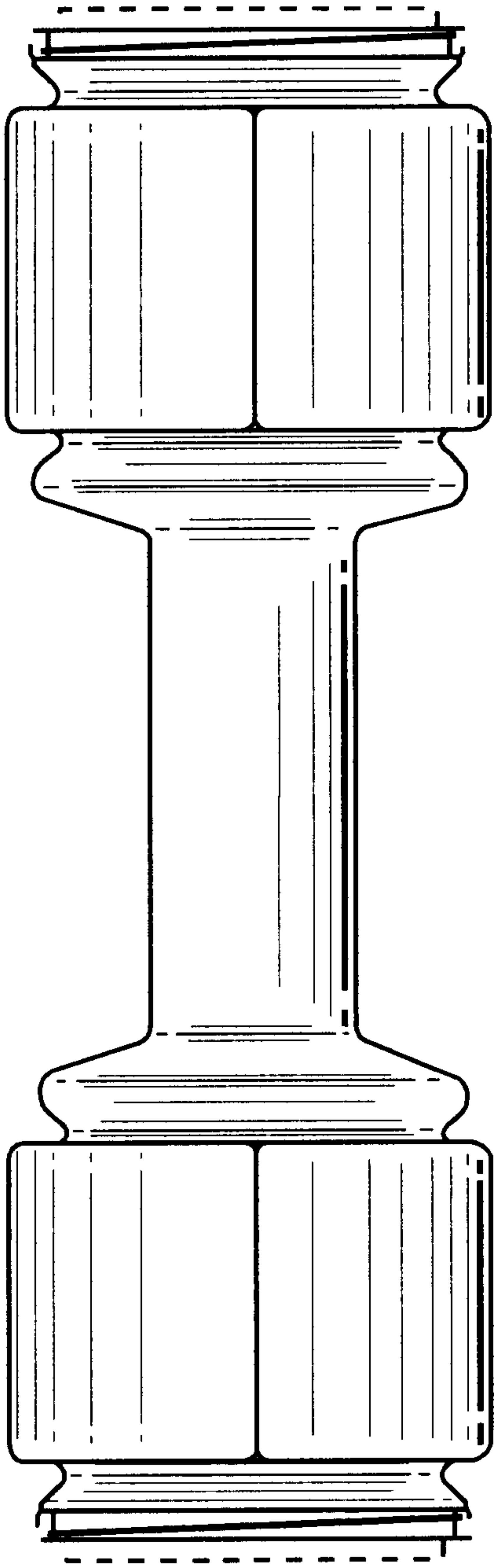


FIG. 6

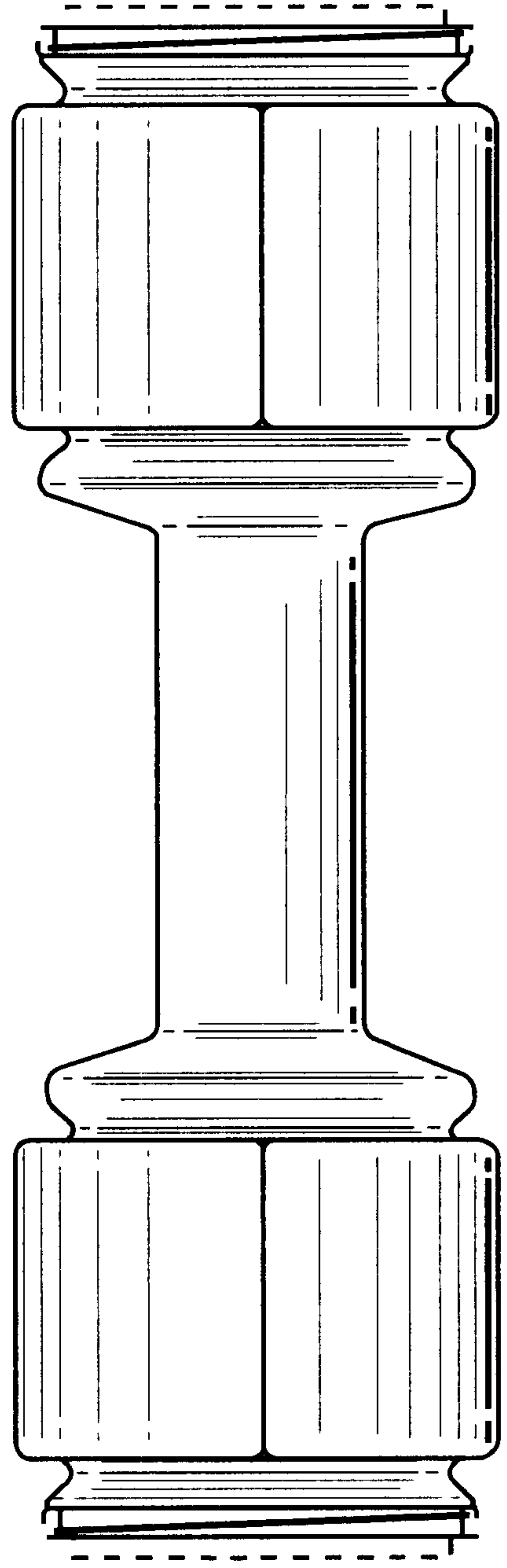


FIG. 7