



US00D456698S

(12) **United States Design Patent**
Emms

(10) **Patent No.:** **US D456,698 S**

(45) **Date of Patent:** **** May 7, 2002**

(54) **JOINTING ELEMENT**

(75) Inventor: **Philip John Emms, Whiterock (AU)**

(73) Assignee: **Morinda Aust. Pty Ltd., Queensland (AU)**

(**) Term: **14 Years**

(21) Appl. No.: **29/135,781**

(22) Filed: **Jan. 19, 2001**

Related U.S. Application Data

(62) Division of application No. 29/101,799, filed on Mar. 10, 1999, now Pat. No. Des. 445,327.

(30) **Foreign Application Priority Data**

Sep. 10, 1998 (AU) 2805/98

(51) **LOC (7) Cl.** **08-08**

(52) **U.S. Cl.** **D8/382**

(58) **Field of Search** D8/382; D25/61, D25/133, 199; 52/92.2, 93.1, 93.2, 289, 655.1, 702, 712; 403/232.1, 403, 364

(56) **References Cited**

U.S. PATENT DOCUMENTS

1,591,869 A 7/1926 Wiedman

1,652,612 A	12/1927	Daniels	
3,333,875 A	8/1967	Tracy	
3,414,300 A	12/1968	Spane	
D288,288 S	2/1987	Hentzschel et al.	
5,156,484 A	10/1992	Allen	
5,274,981 A	1/1994	Commins	
5,524,397 A	6/1996	Byers et al.	
5,660,005 A	8/1997	Tacoma	
5,983,577 A	11/1999	Hays	
D445,327 S	* 7/2001	Emms D8/382

* cited by examiner

Primary Examiner—Alan P. Douglas

Assistant Examiner—Clare E. Heflin

(74) *Attorney, Agent, or Firm*—Young & Thompson

(57) **CLAIM**

The ornamental design for a jointing element, as shown and described.

DESCRIPTION

FIG. 1 is a front perspective view of a jointing element showing my new design; and,

FIG. 2 is a rear perspective view thereof.

The bottom surface not shown in the drawing figures forms no part of the claimed design.

1 Claim, 1 Drawing Sheet

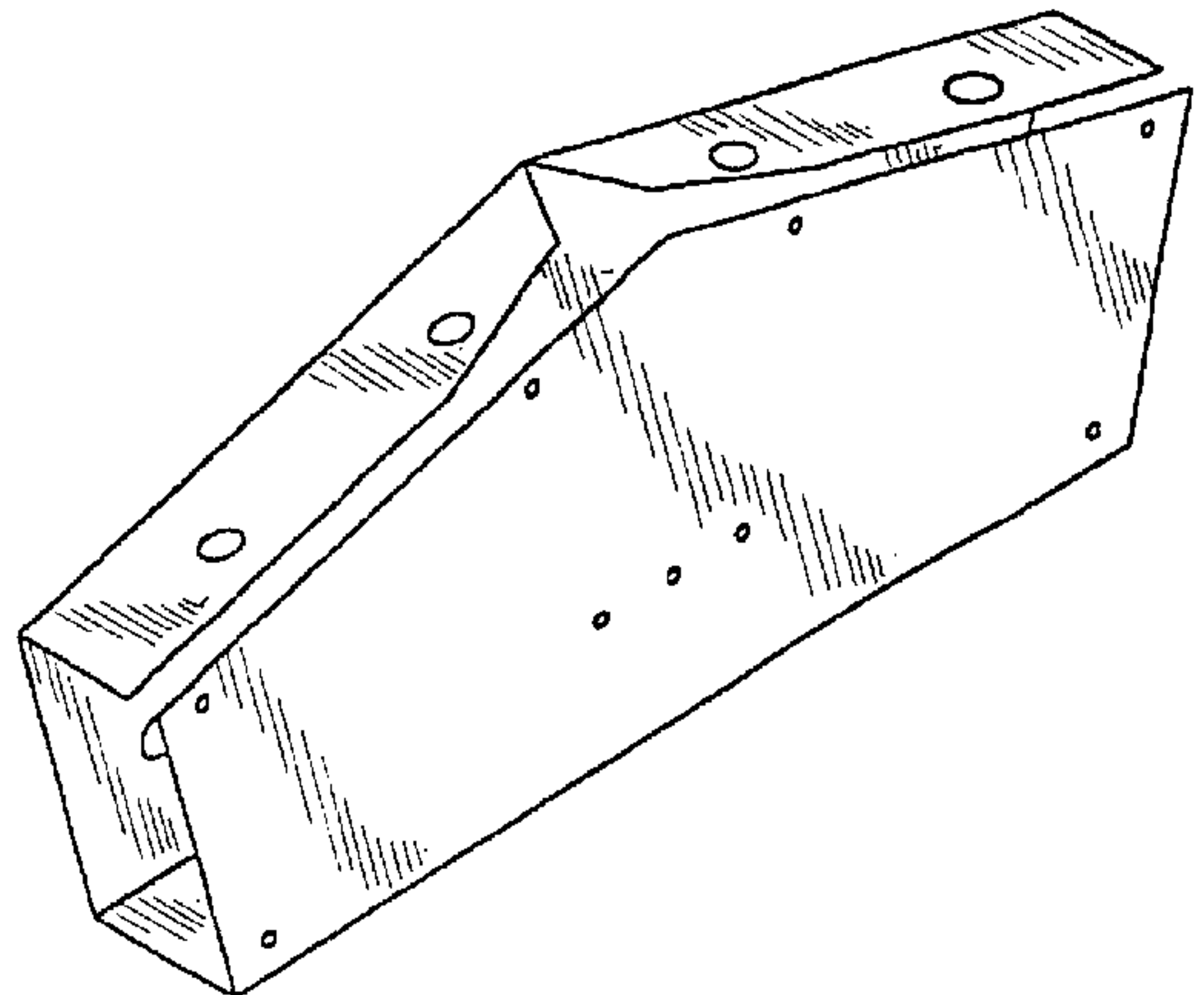
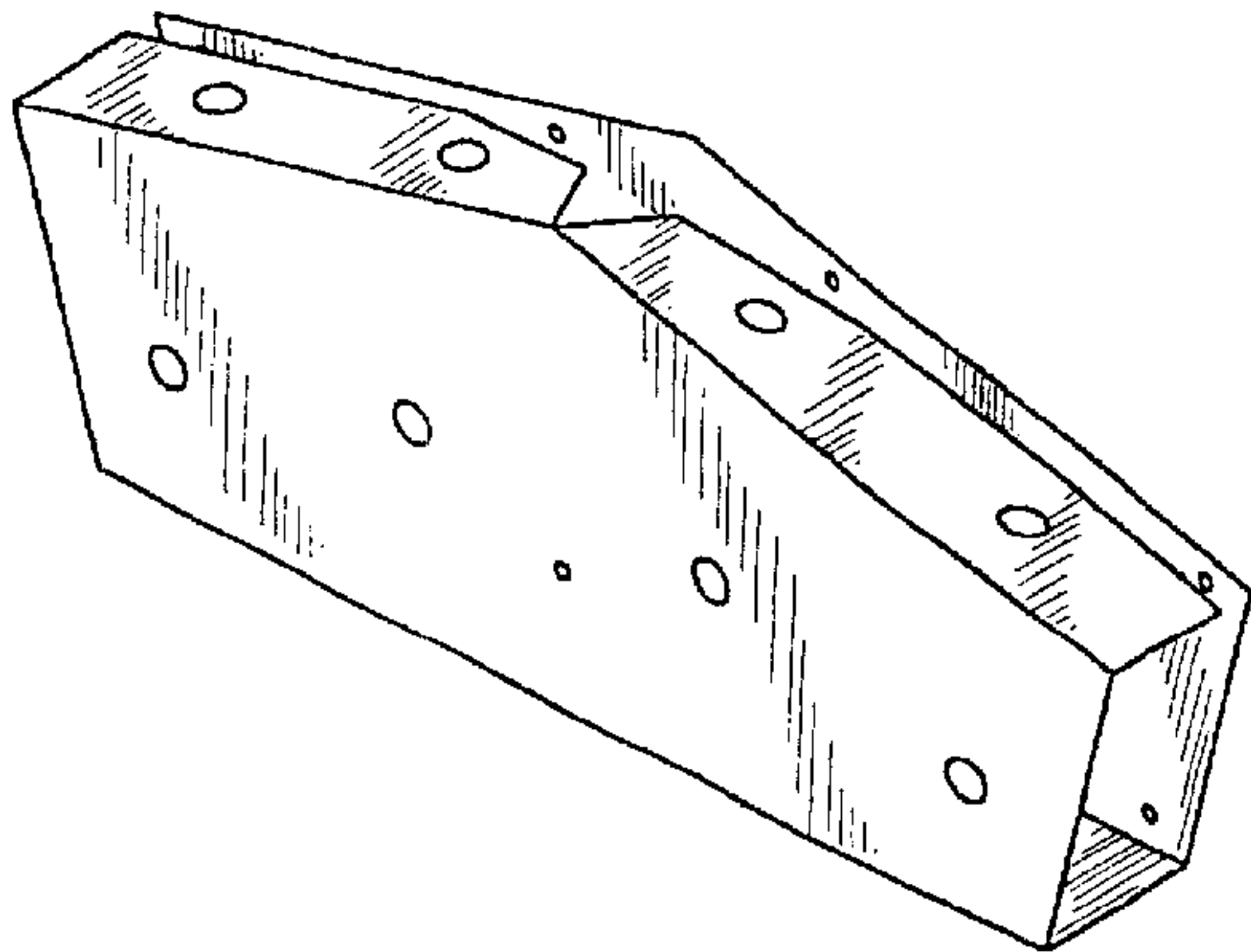


Fig. 1

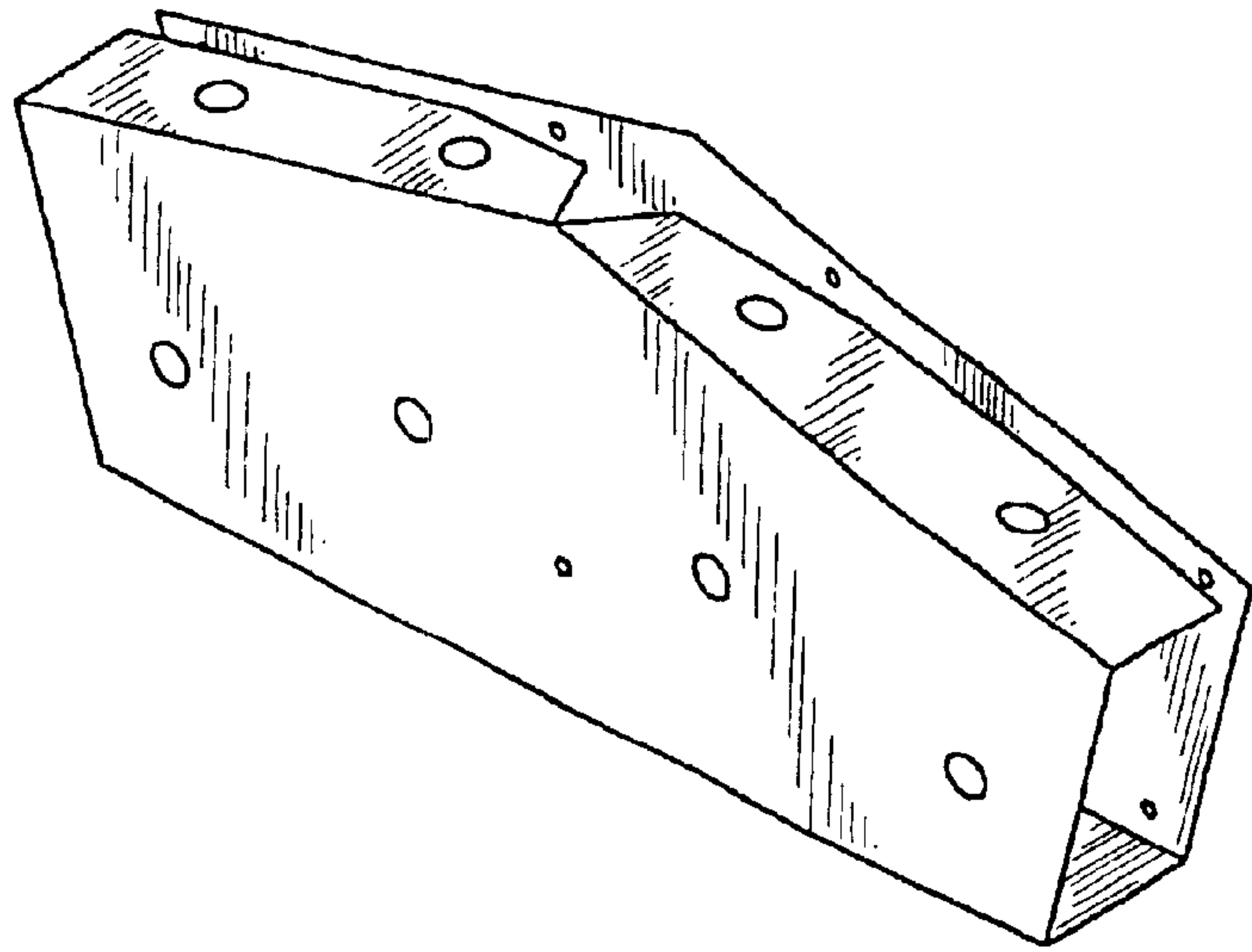


Fig. 2

