



US00D456691S

(12) **United States Design Patent**
Bergin

(10) **Patent No.:** **US D456,691 S**

(45) **Date of Patent:** **** May 7, 2002**

(54) **LOCK ON BRACKET FOR CUPHOLDER**

(75) Inventor: **Peter W. A. Bergin**, Eden Prairie, MN (US)

(73) Assignee: **Media Technology Source, LLC**, Minneapolis, MN (US)

(**) Term: **14 Years**

(21) Appl. No.: **29/139,486**

(22) Filed: **Mar. 30, 2001**

(51) **LOC (7) Cl.** **08-05**

(52) **U.S. Cl.** **D8/354; D8/363**

(58) **Field of Search** D12/420; 224/411; 248/311.2, 314; D8/363, 373; D7/620, 622

(56) **References Cited**

U.S. PATENT DOCUMENTS

2,706,516 A	4/1955	Nordmark	
D227,858 S	* 7/1973	Goldman	D8/373
4,088,848 A	5/1978	Weed	248/314
4,697,780 A	10/1987	Wenkman et al.	248/558
4,865,237 A	9/1989	Allen	224/552
D307,852 S	5/1990	Clark	D7/620
D328,223 S	7/1992	Clark	D7/622
5,219,140 A	6/1993	Spykerman	248/311.2
D342,871 S	1/1994	Stern et al.	D7/620
D345,906 S	* 4/1994	Schmidt et al.	D8/373
5,421,638 A	6/1995	Ayotte et al.	297/188.04

D368,628 S	4/1996	Bergin	D7/620
5,709,429 A	1/1998	Bergin	297/188.04
5,813,644 A	9/1998	Bergin	248/311.2
5,873,555 A	* 2/1999	Crace	248/312.1
6,062,518 A	* 5/2000	Etue	248/231.21
6,186,382 B1	* 2/2001	Bergin et al.	224/411

* cited by examiner

Primary Examiner—Holly Baynham

(74) *Attorney, Agent, or Firm*—Nickolas E. Westman; Westman, Champlin & Kelly

(57) **CLAIM**

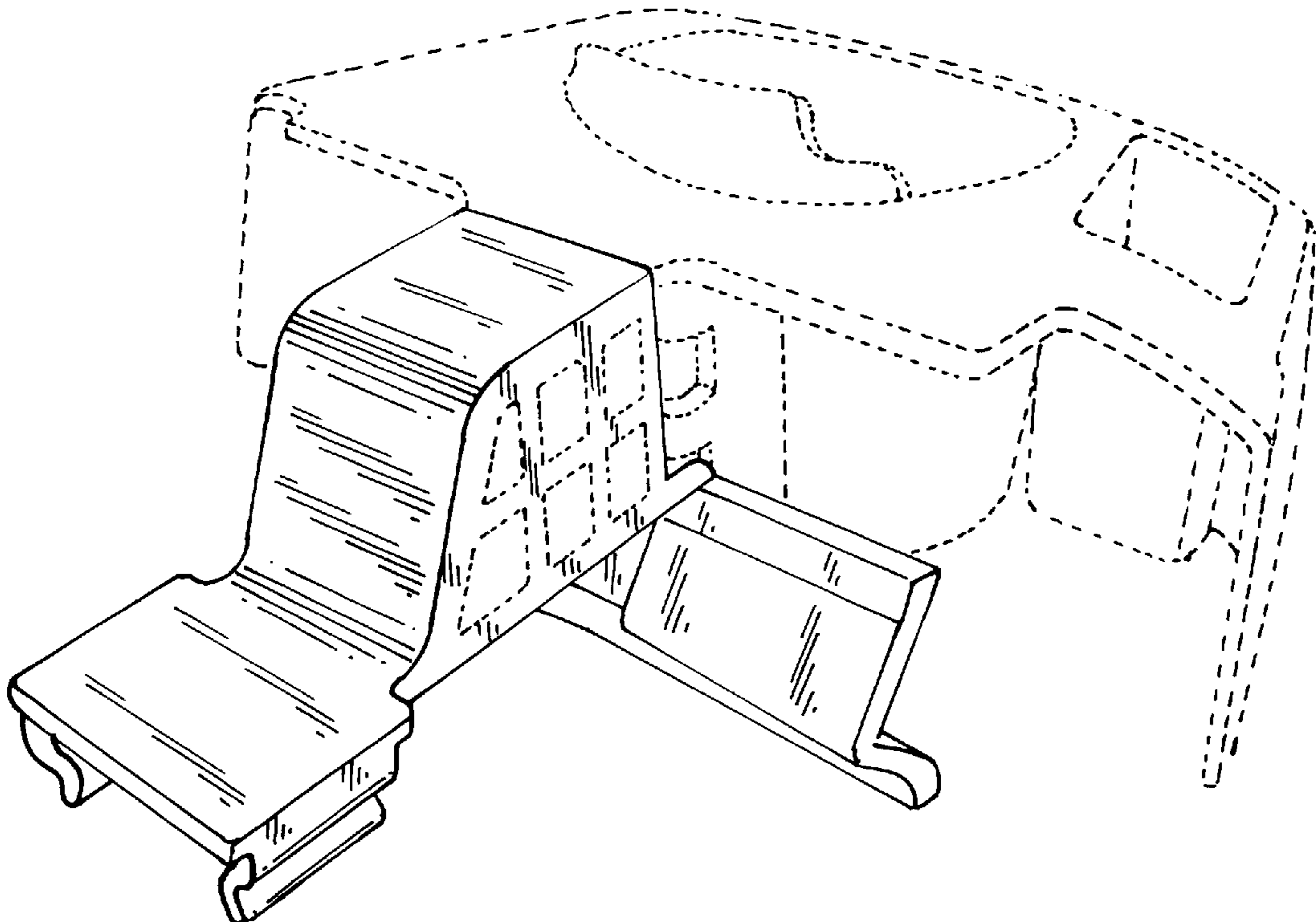
The ornamental design for a lock on bracket for cupholder, as shown and described.

DESCRIPTION

FIG. 1 is a top perspective view of a lock on bracket for cupholder embodying my new design; FIG. 2 is an enlarged front elevational view thereof; FIG. 3 is a rear elevational view thereof; FIG. 4 is a right side elevational view thereof; FIG. 5 is a top plan view thereof; FIG. 6 is a bottom plan view thereof; and, FIG. 7 is a left side elevational view thereof.

The broken line showing of openings and a cupholder is for illustrative purposes only and forms no part of the claimed design.

1 Claim, 4 Drawing Sheets



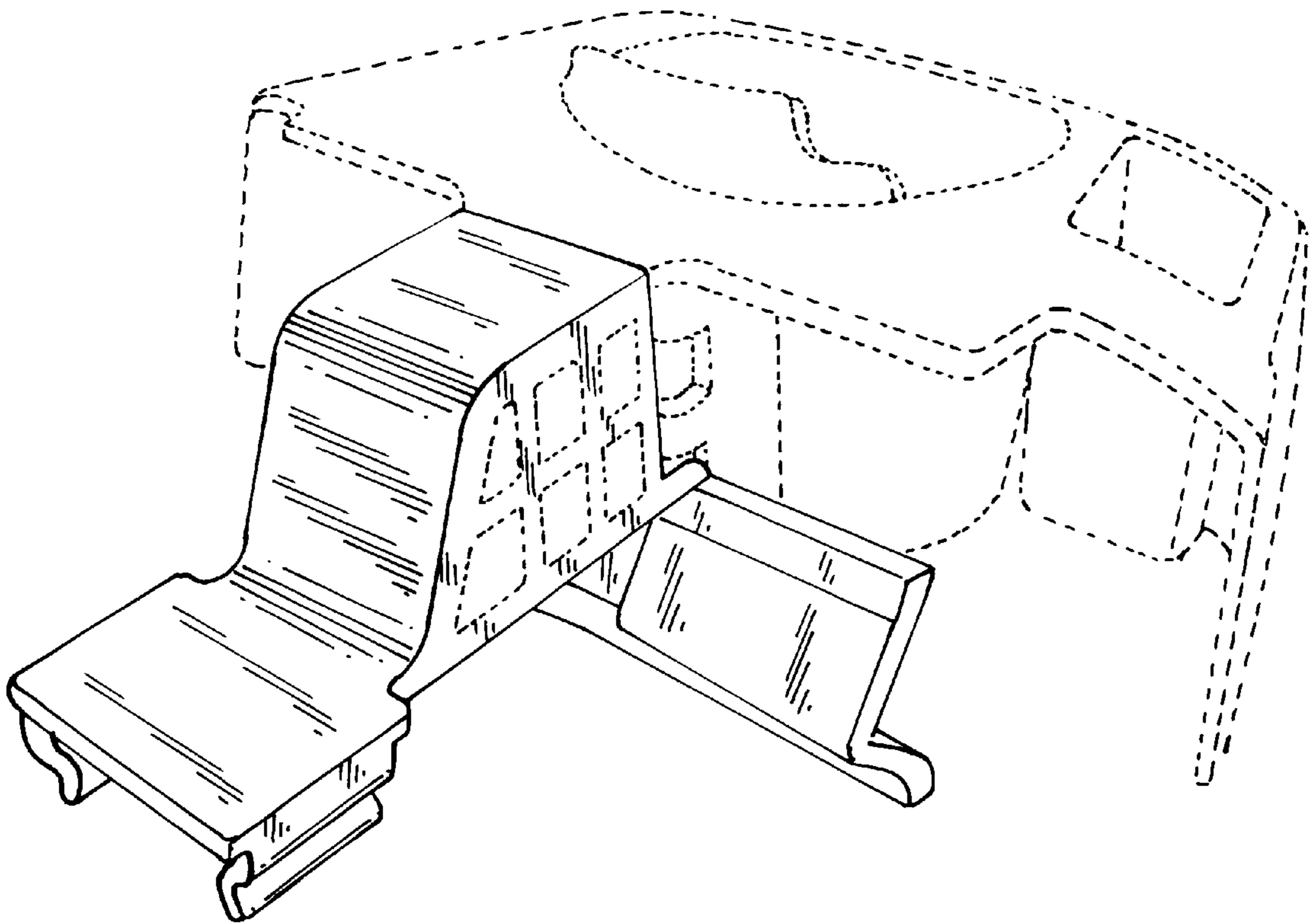


Fig. 1

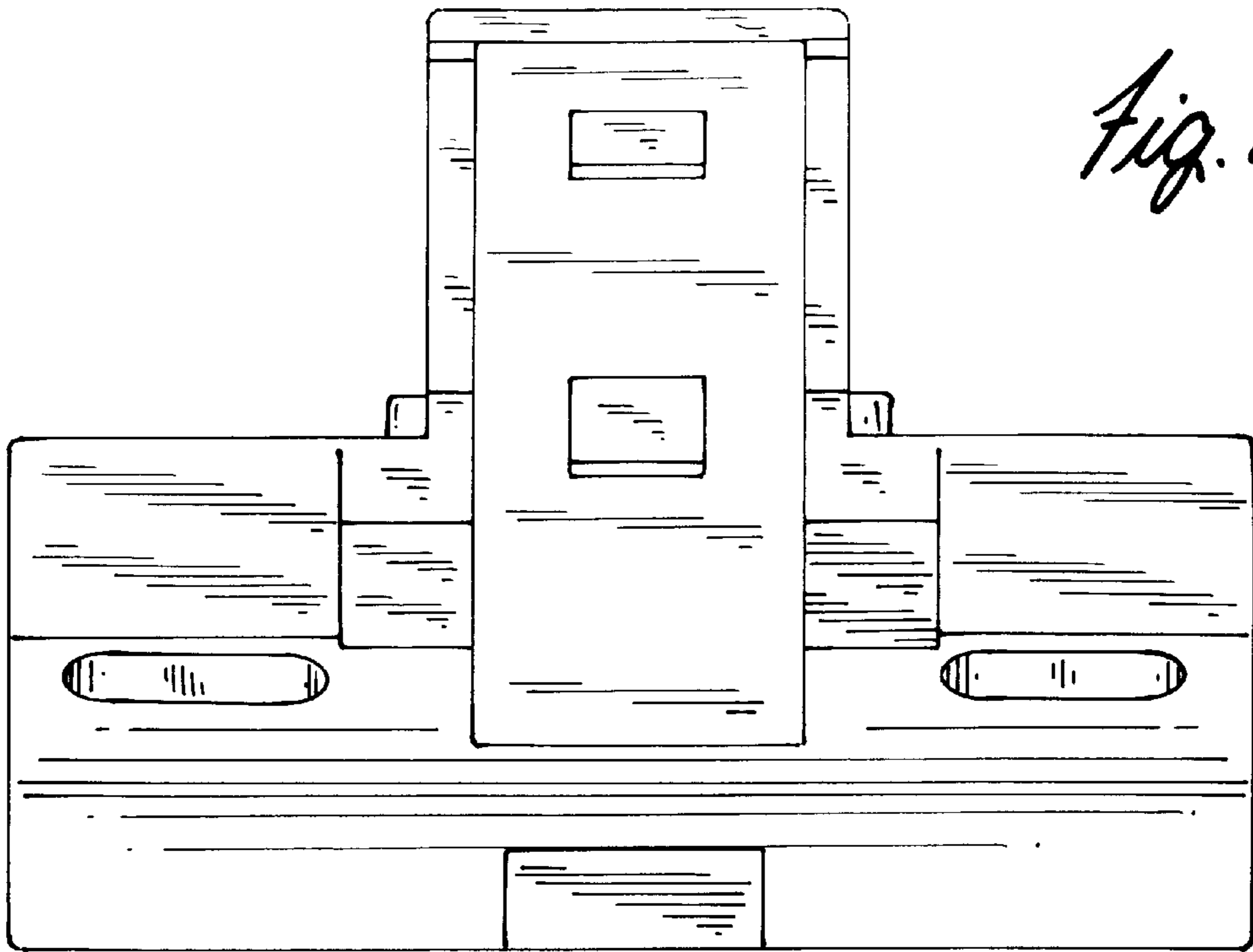


Fig. 2

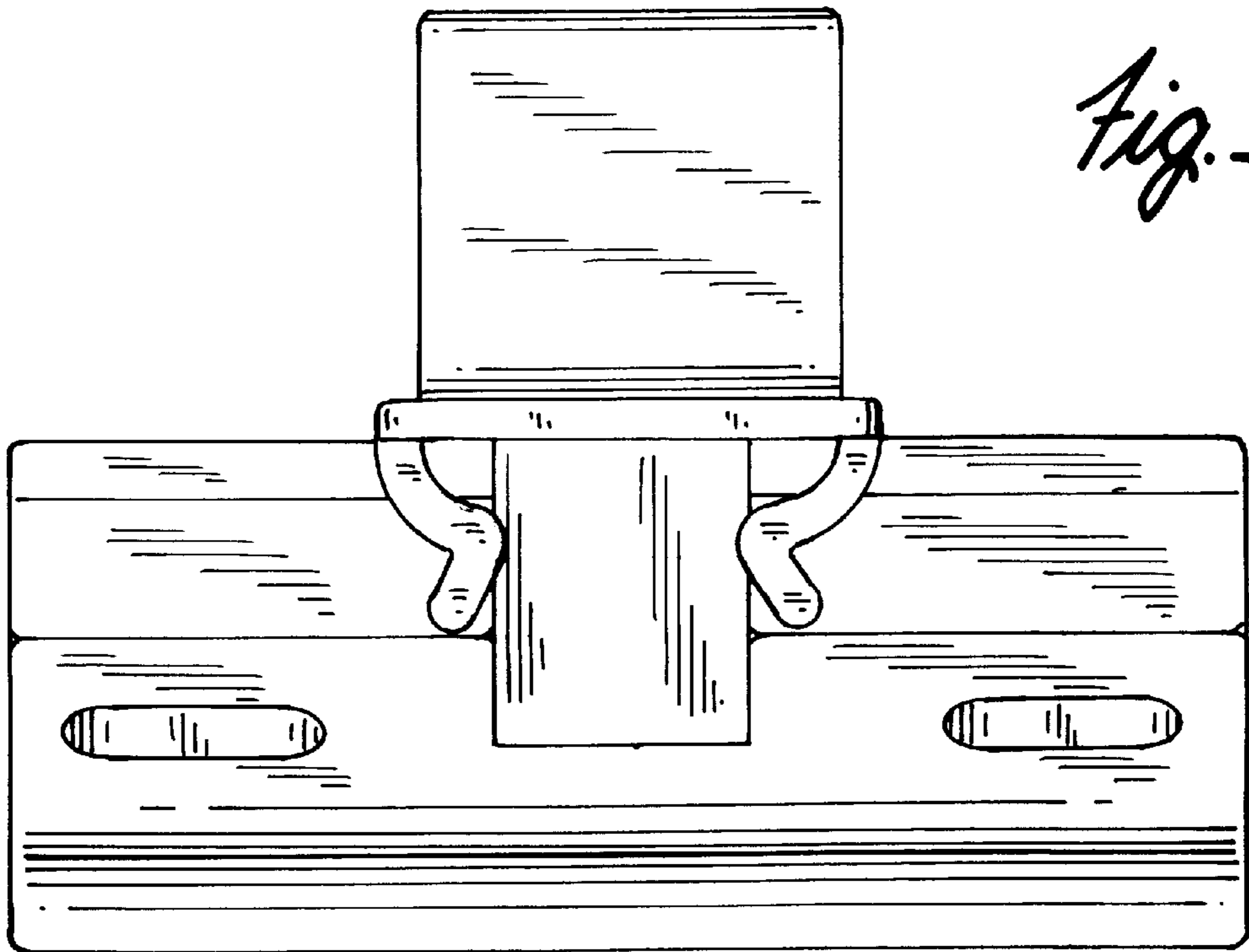


Fig. 3

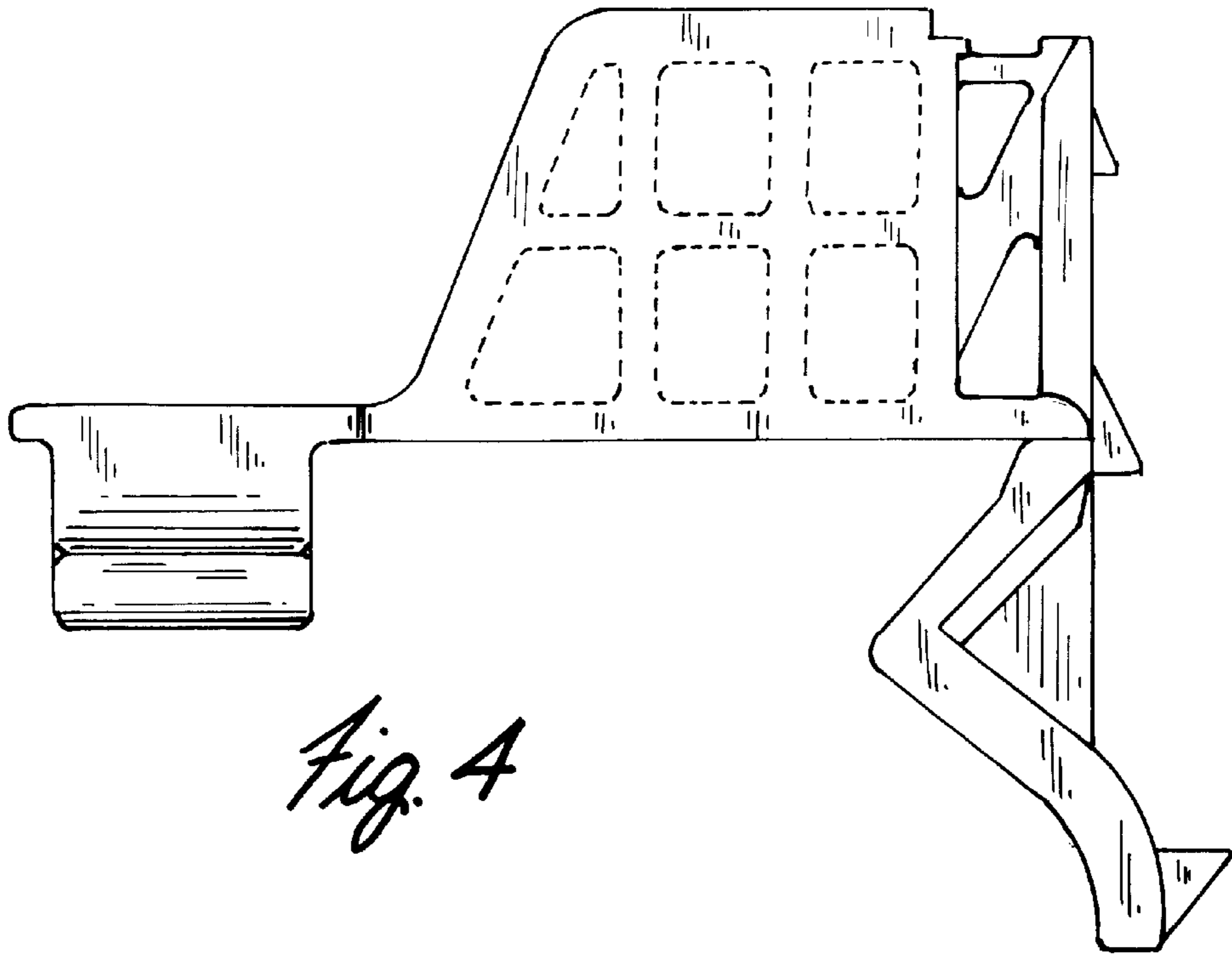


Fig. 4

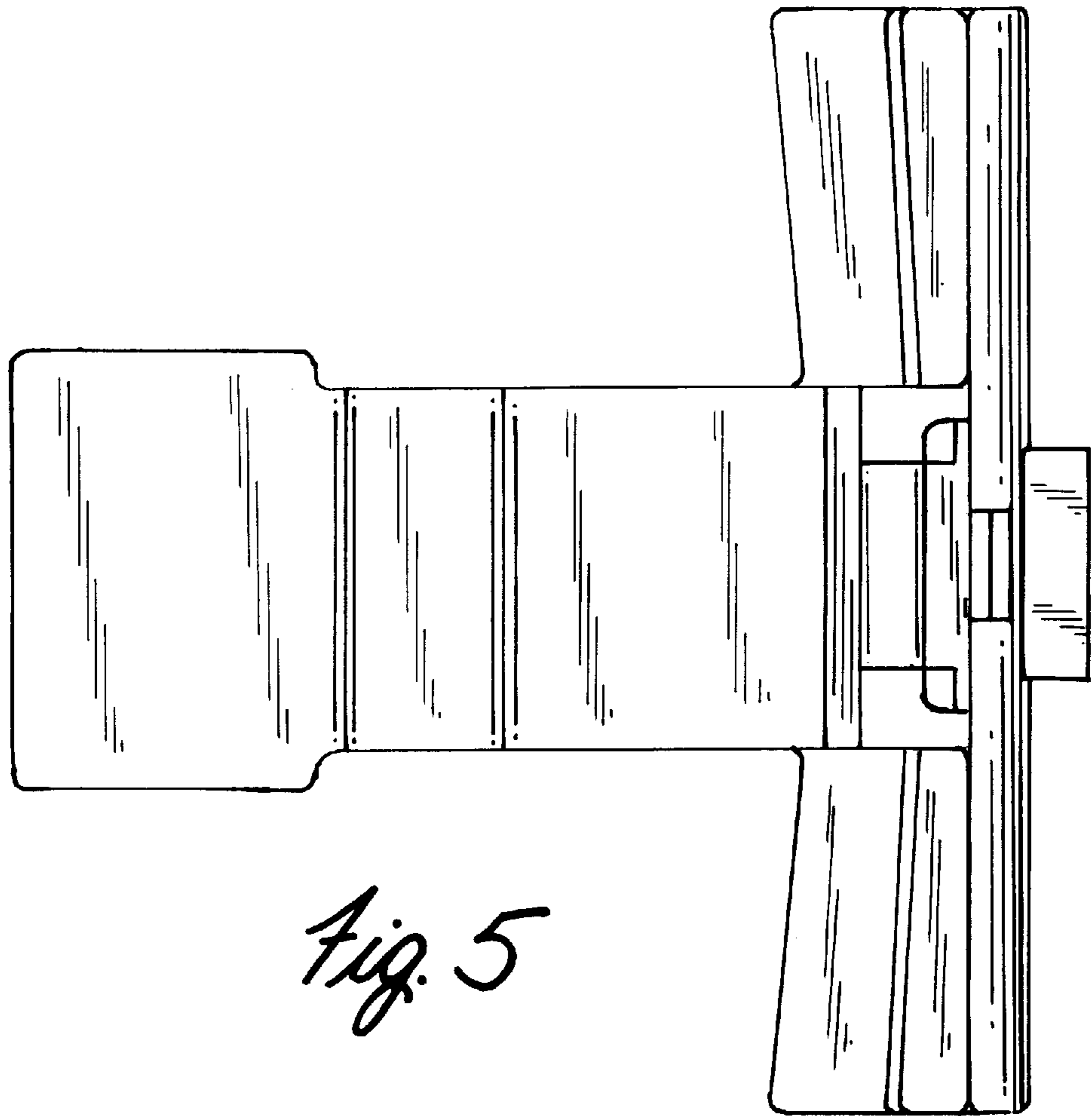


Fig. 5

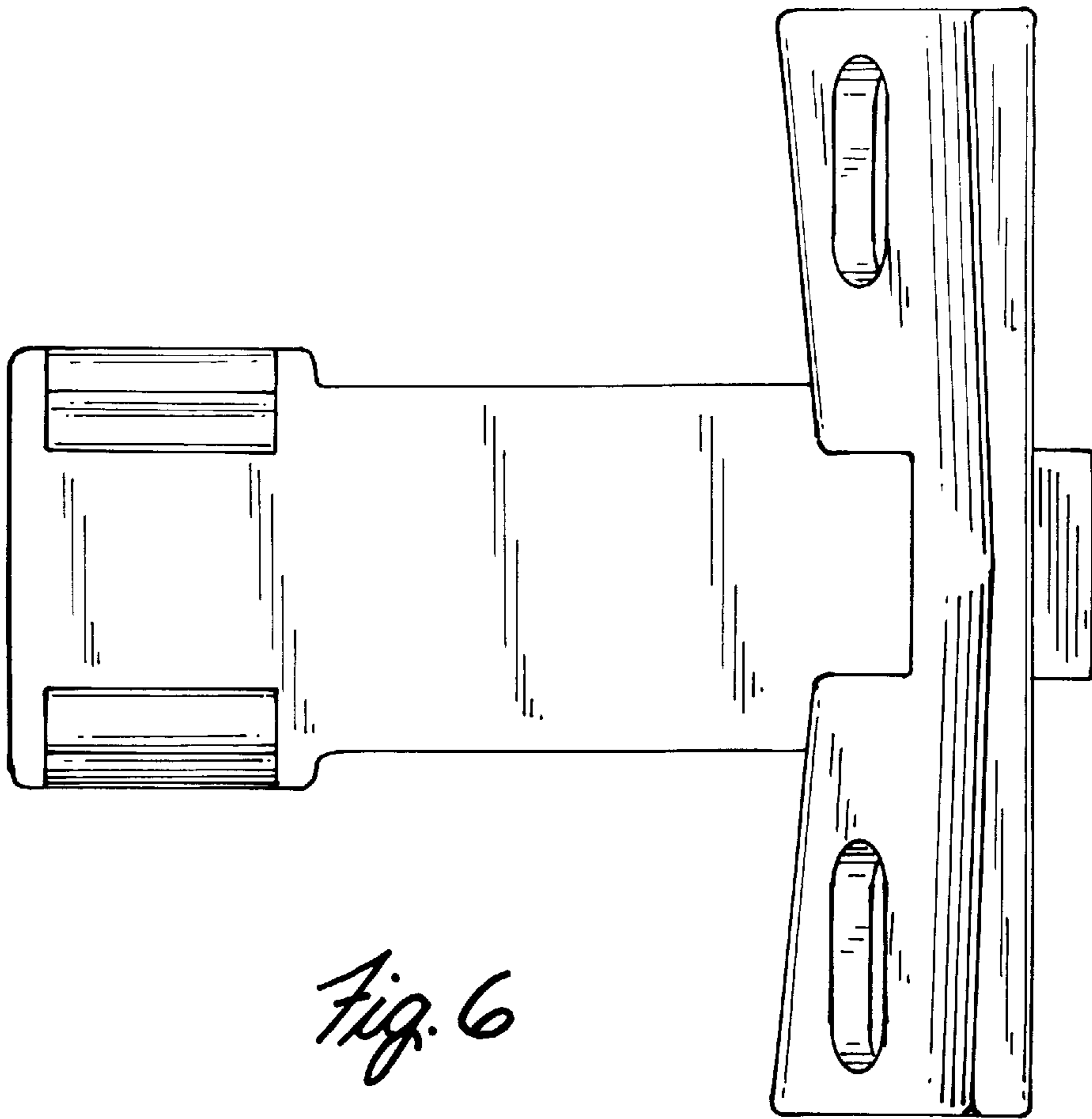


Fig. 6

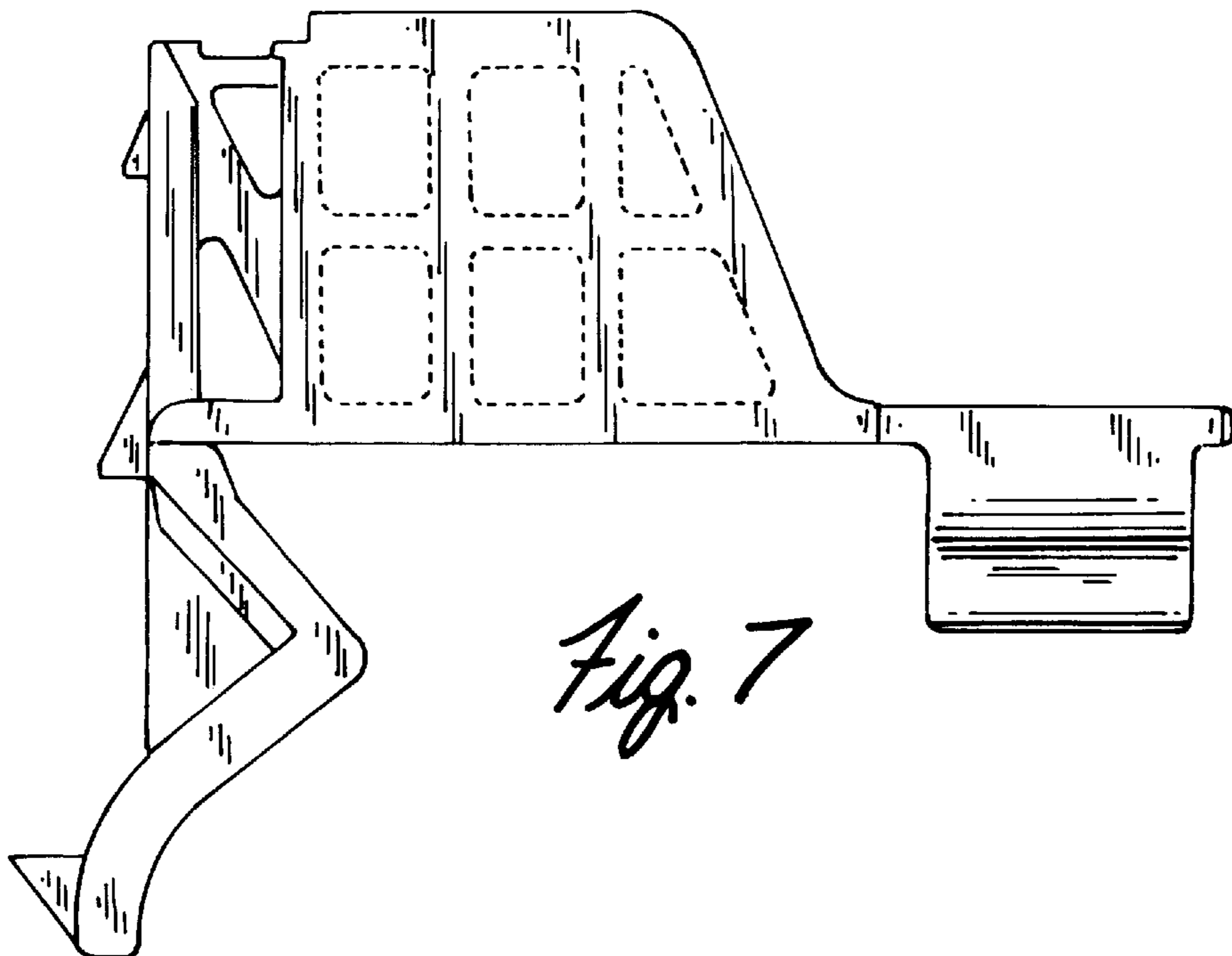


Fig. 7