



US00D456689S

(12) **United States Design Patent**
Nakamaru

(10) **Patent No.:** **US D456,689 S**

(45) **Date of Patent:** **** May 7, 2002**

(54) **PORTION OF LOCK**

D433,920 S * 11/2000 Chang D8/331

(75) Inventor: **Takao Nakamaru, Tokyo (JP)**

* cited by examiner

(73) Assignee: **Alpha Corporation (JP)**

Primary Examiner—Brian N. Vinson

(**) Term: **14 Years**

(74) *Attorney, Agent, or Firm*—SAIDMAN DesignLaw Group

(21) Appl. No.: **29/142,689**

(57) **CLAIM**

(22) Filed: **May 31, 2001**

The ornamental design for a portion of lock, as shown and described.

(51) **LOC (7) Cl.** **08-07**

DESCRIPTION

(52) **U.S. Cl.** **D8/343**

(58) **Field of Search** D8/330, 331, 338,
D8/341, 343; 70/51, 52, 57, 158, 101, 103-109,
DIG. 8

FIG. 1 is a front view of a portion of lock showing my new design;

FIG. 2 is a left side view thereof;

FIG. 3 is a right side view thereof;

FIG. 4 is a top view thereof;

FIG. 5 is a bottom view thereof; and,

FIG. 6 is a rear view thereof.

The broken lines shown in FIGS. 2-6 represent environmental subject matter and form no part of the claimed design.

(56) **References Cited**

U.S. PATENT DOCUMENTS

4,183,563 A	*	1/1980	Stevens	70/107 X
D352,649 S	*	11/1994	Kling	D8/332
D352,887 S	*	11/1994	Schlack	D8/343
D393,793 S	*	4/1998	Blanch	D8/341
D402,877 S	*	12/1998	Newman et al.	D8/341

1 Claim, 2 Drawing Sheets

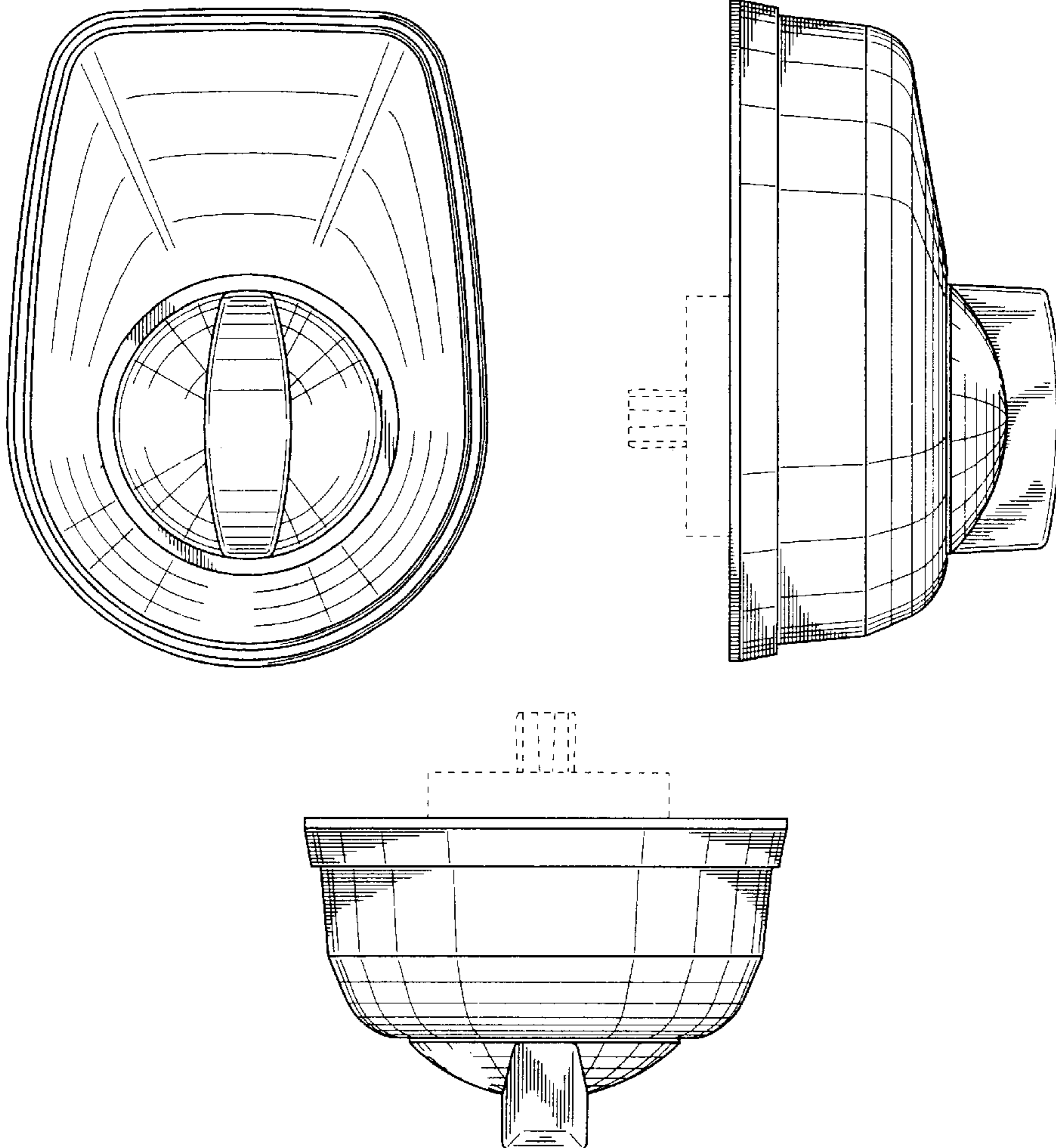


FIG.4

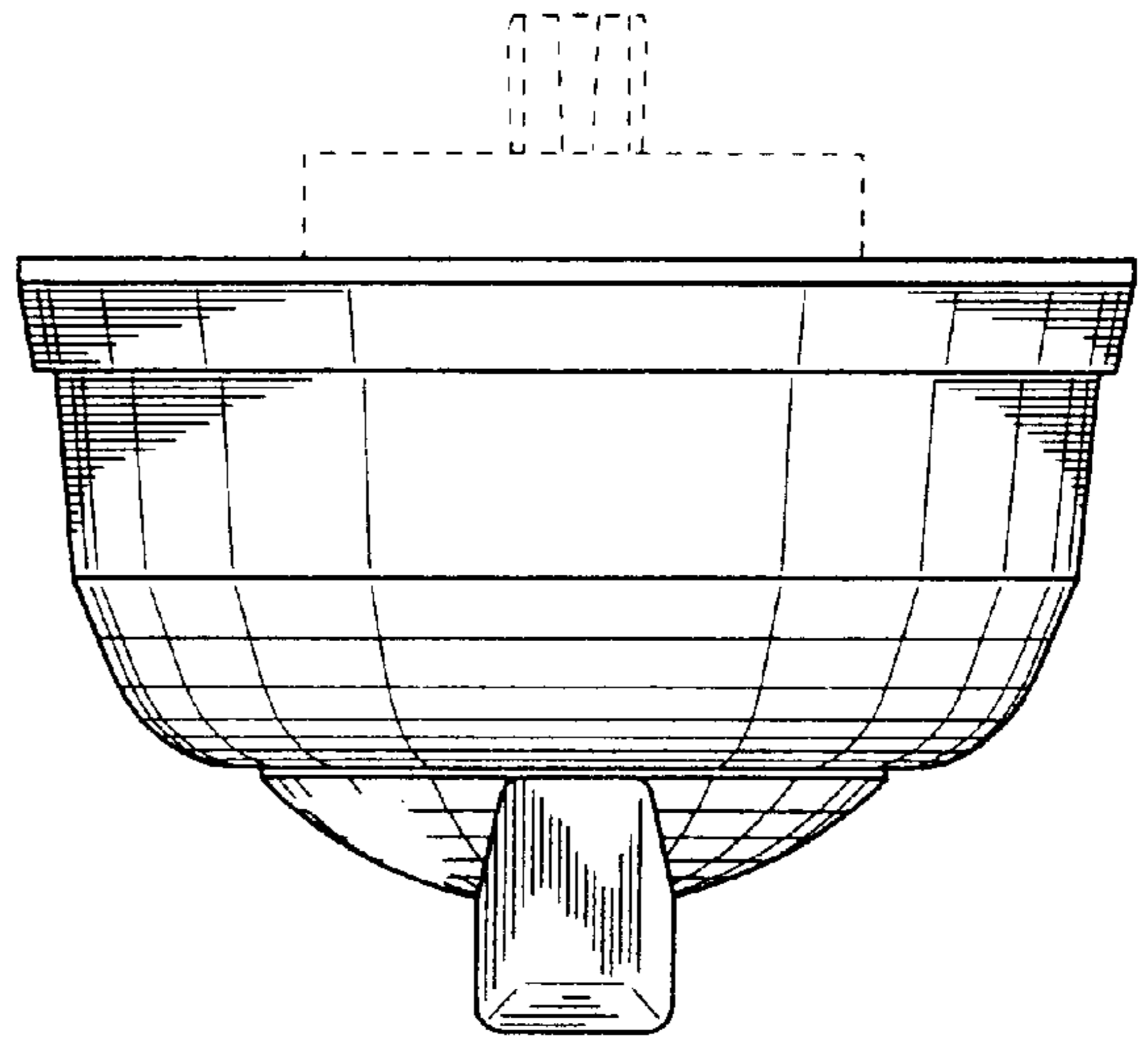


FIG.2

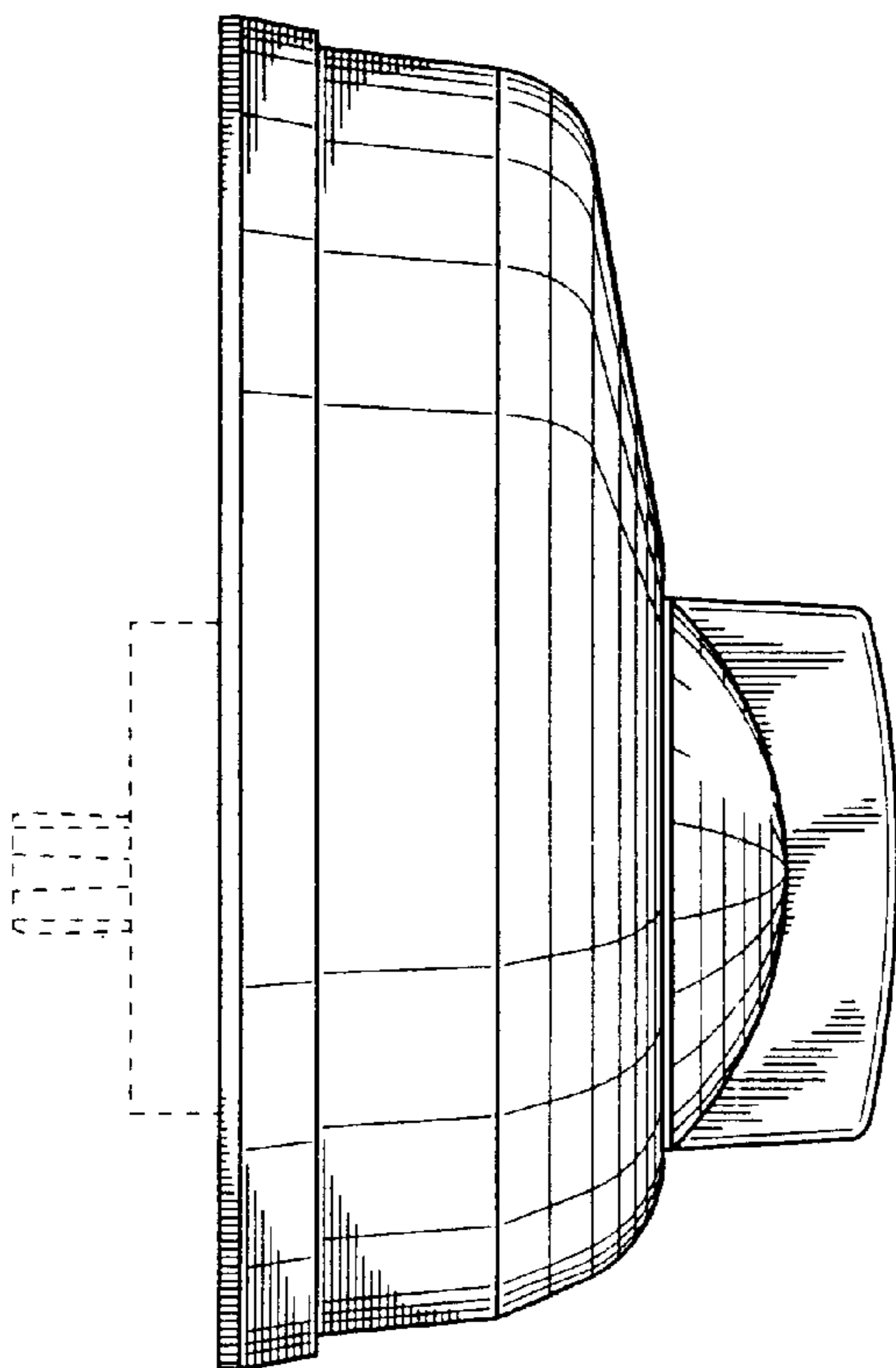


FIG.1

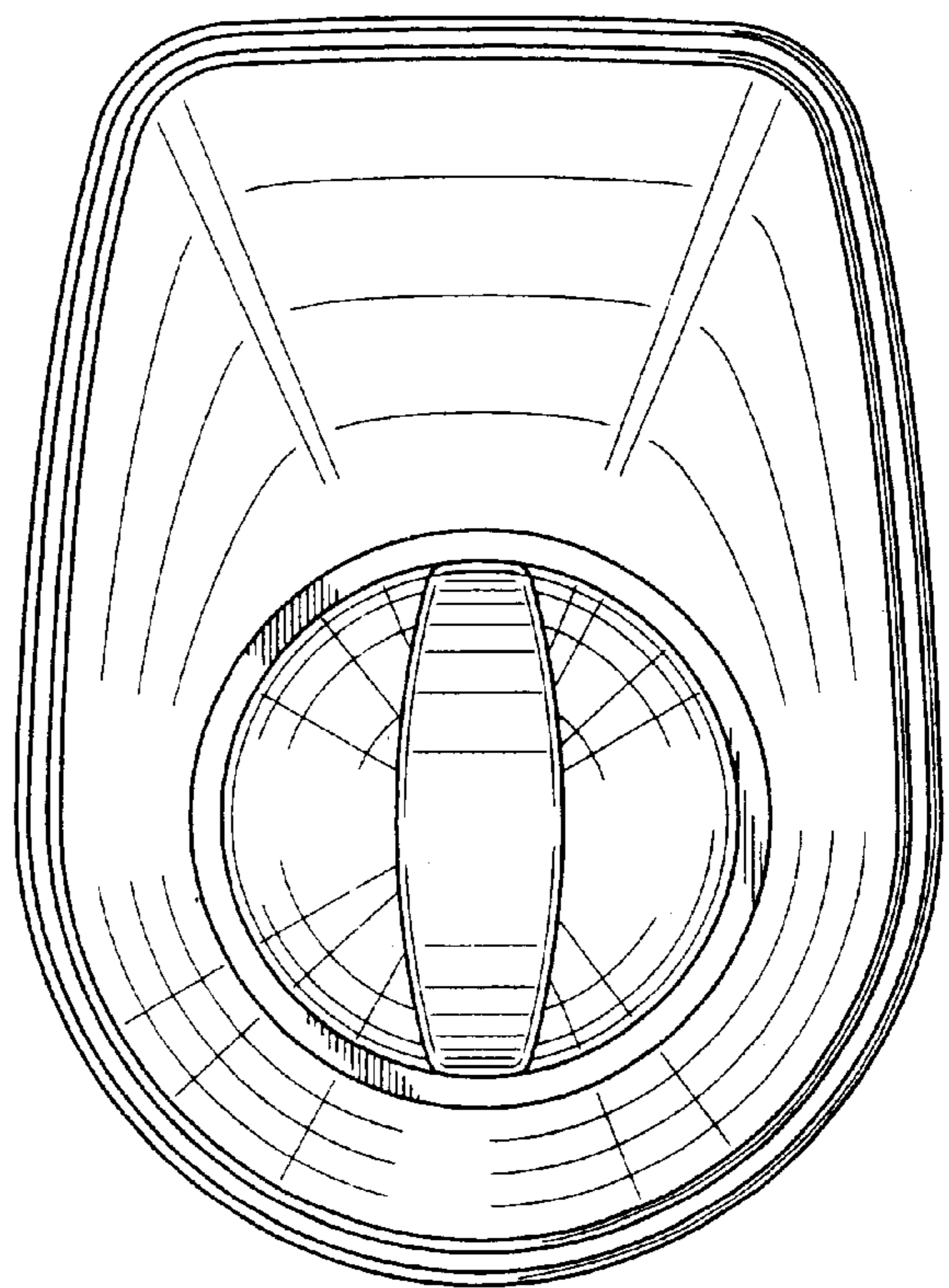


FIG.5

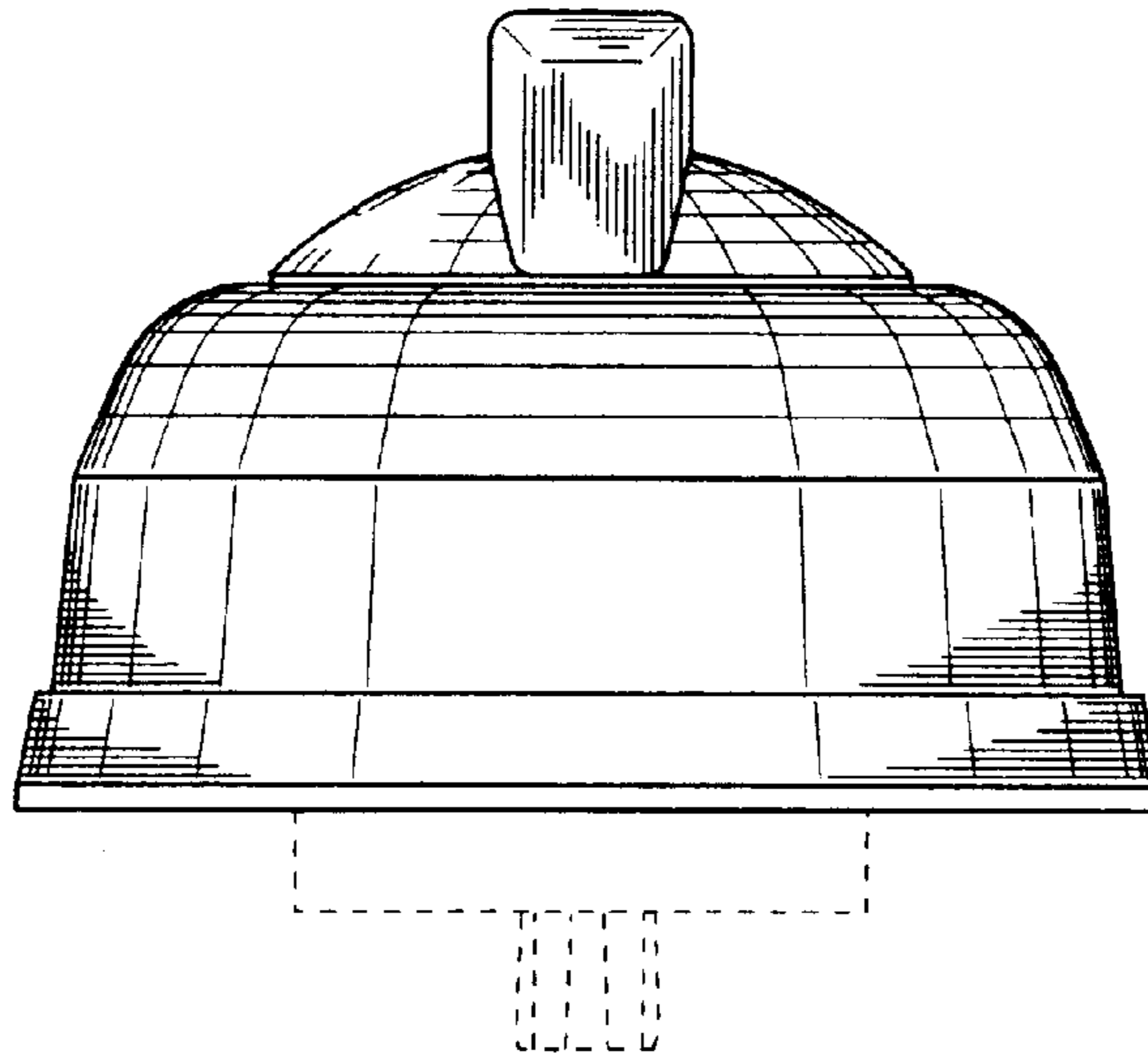


FIG.3

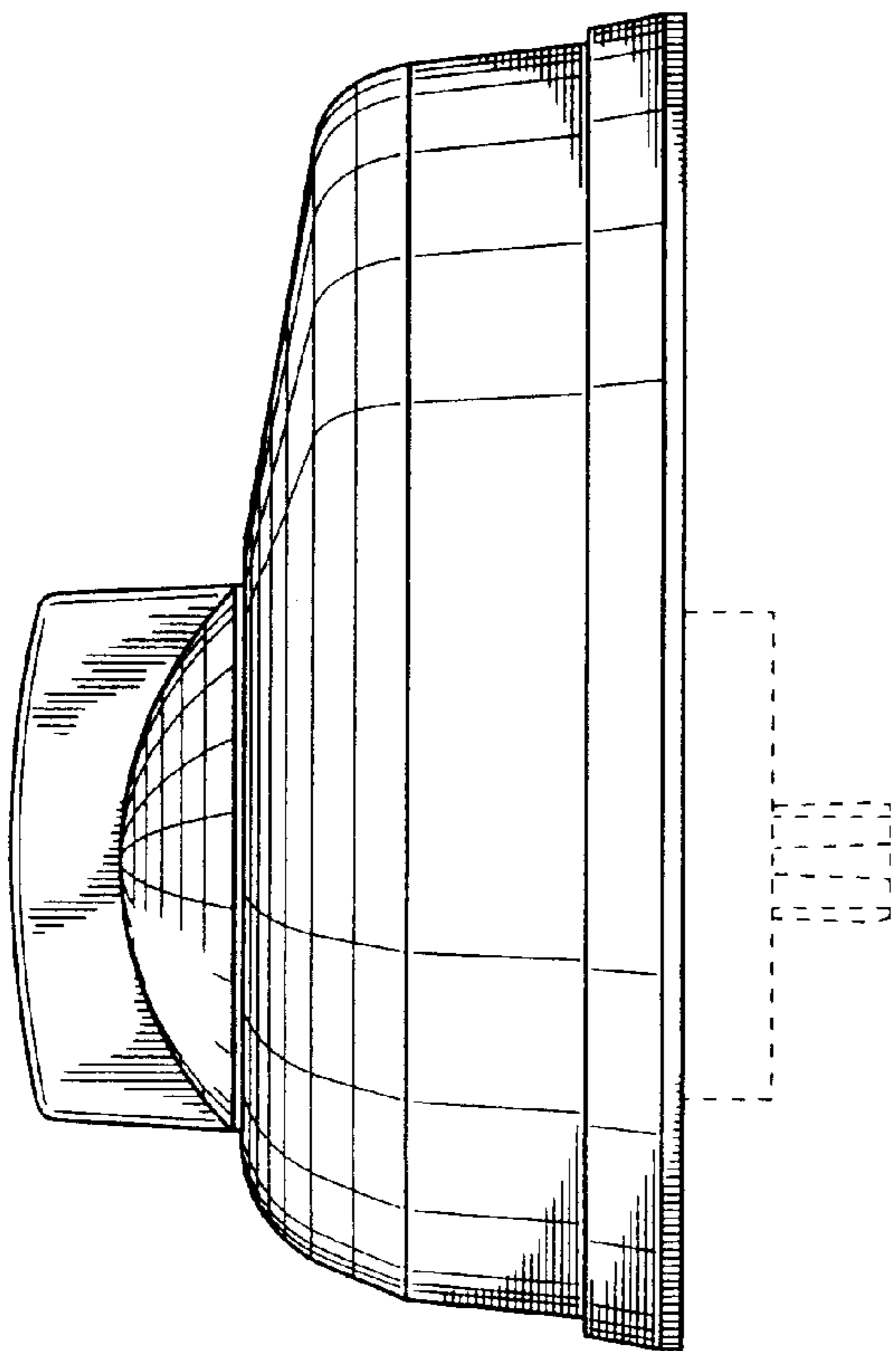


FIG.6

