



US00D456688S

(12) **United States Design Patent**
Polowinczak et al.

(10) **Patent No.:** **US D456,688 S**
(45) **Date of Patent:** **** May 7, 2002**

- (54) **TILT-LATCH**
- (75) Inventors: **Allen D. Polowinczak**, Plainfield;
Vincent F. Eslick, Chicago, both of IL
(US)
- (73) Assignee: **Ashland Products, Inc.**, Lowell, IN
(US)
- (**) Term: **14 Years**
- (21) Appl. No.: **29/132,748**
- (22) Filed: **Nov. 14, 2000**
- (51) **LOC (7) Cl.** **08-06**
- (52) **U.S. Cl.** **D8/302; D8/300; D8/343**
- (58) **Field of Search** **D8/300, 306, 307,**
D8/343; 49/153, 161, 175, 180, 183, 453;
292/42, 75, 163, DIG. 47

- 4,901,475 A 2/1990 Simpson
- 4,917,413 A 4/1990 Jason et al.
- D313,161 S 12/1990 Westphal et al.
- 5,028,083 A 7/1991 Mischenko
- 5,068,932 A 12/1991 Chang
- 5,096,240 A 3/1992 Schultz
- 5,121,951 A 6/1992 Harbom et al.
- 5,121,952 A 6/1992 Jason
- 5,139,291 A 8/1992 Schultz
- 5,165,737 A 11/1992 Riegelman
- 5,301,989 A 4/1994 Dallmann et al.
- D371,502 S 7/1996 Morris
- 5,536,052 A 7/1996 Maier
- 5,618,067 A 4/1997 Carlson et al.
- D380,137 S 6/1997 Carlson et al.
- D380,370 S 7/1997 Carlson et al.
- 5,669,639 A 9/1997 Lawrence
- 5,671,958 A 9/1997 Szapucki et al.
- D396,397 S 7/1998 Swan
- 5,806,900 A 9/1998 Bratcher et al.

(List continued on next page.)

(56) **References Cited**
U.S. PATENT DOCUMENTS

- 16,228 A 12/1856 Copeland
- 1,781,729 A 11/1930 Major
- 2,568,273 A 9/1951 Clark
- 2,965,935 A 12/1960 Olsen
- 3,080,621 A 3/1963 Mendelsohn
- 3,122,797 A 3/1964 Segre
- 3,841,674 A 10/1974 Bisbing et al.
- 3,850,464 A 11/1974 Bisbing et al.
- 4,167,835 A 9/1979 Nobes et al.
- 4,400,026 A 8/1983 Brown, Jr.
- 4,475,311 A 10/1984 Gibson
- 4,553,353 A 11/1985 Simpson
- 4,578,903 A 4/1986 Simpson
- 4,581,850 A 4/1986 Simpson
- 4,622,778 A 11/1986 Simpson
- 4,640,048 A 2/1987 Winner et al.
- 4,669,765 A 6/1987 Ullman
- 4,790,579 A 12/1988 Maxwell et al.
- 4,791,756 A 12/1988 Simpson
- 4,824,154 A 4/1989 Simpson
- 4,837,975 A 6/1989 Simpson

Primary Examiner—B. J. Bullock
(74) *Attorney, Agent, or Firm*—Wallenstein & Wagner, Ltd.

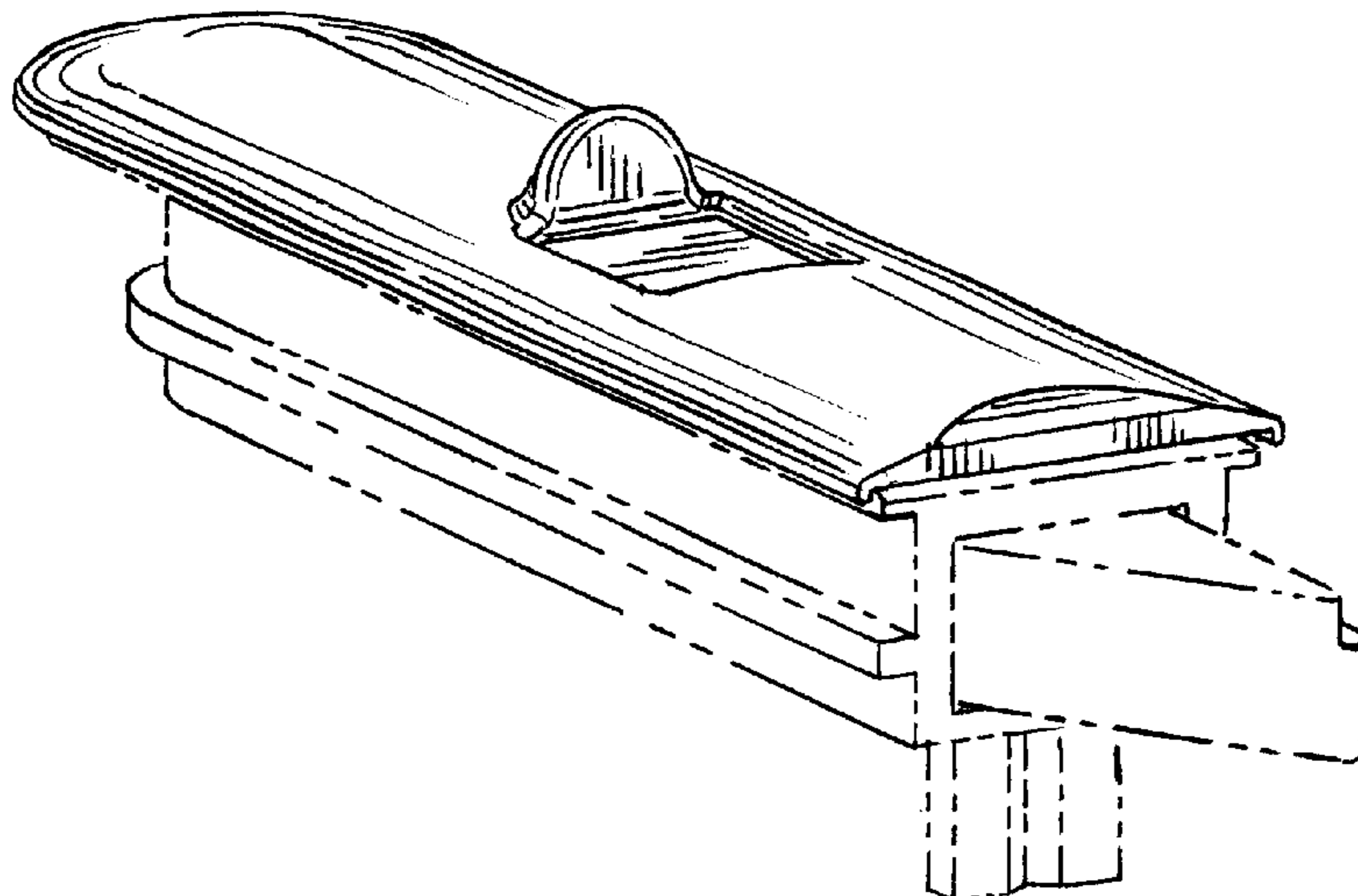
(57) **CLAIM**

We claim the ornamental design for a tilt-latch, as shown and described.

DESCRIPTION

FIG. 1 is a perspective view of a tilt-latch, embodying the new design;
FIG. 2 is a top plan view of the tilt-latch;
FIG. 3 is a side elevational view of the tilt-latch;
FIG. 4 is a rear elevational view of the tilt-latch; and,
FIG. 5 is a front elevational view of the tilt-latch.
The opposite side elevational view of the tilt-latch is identical to the side elevational view shown in FIG. 3.
The bottom portion is unclaimed and the broken-line disclosure is for illustrative purposes only and forms no part of the claimed design.

1 Claim, 1 Drawing Sheet



US D456,688 S

Page 2

U.S. PATENT DOCUMENTS

D411,094 S	6/1999	Schultz	D416,780 S	11/1999	Schultz
D411,095 S	6/1999	Schultz	5,996,283 A	12/1999	Maier
D411,797 S	7/1999	Schultz	6,021,603 A	2/2000	Prete et al.
D414,674 S	10/1999	Schultz	6,155,615 A	12/2000	Schultz
D415,671 S	10/1999	Schultz	D442,847 S *	5/2001	Schultz et al.
5,970,656 A	10/1999	Maier	D442,848 S *	5/2001	Schultz et al.
D416,468 S	11/1999	Schultz	D444,373 S *	7/2001	Schultz et al.

* cited by examiner

FIG.1

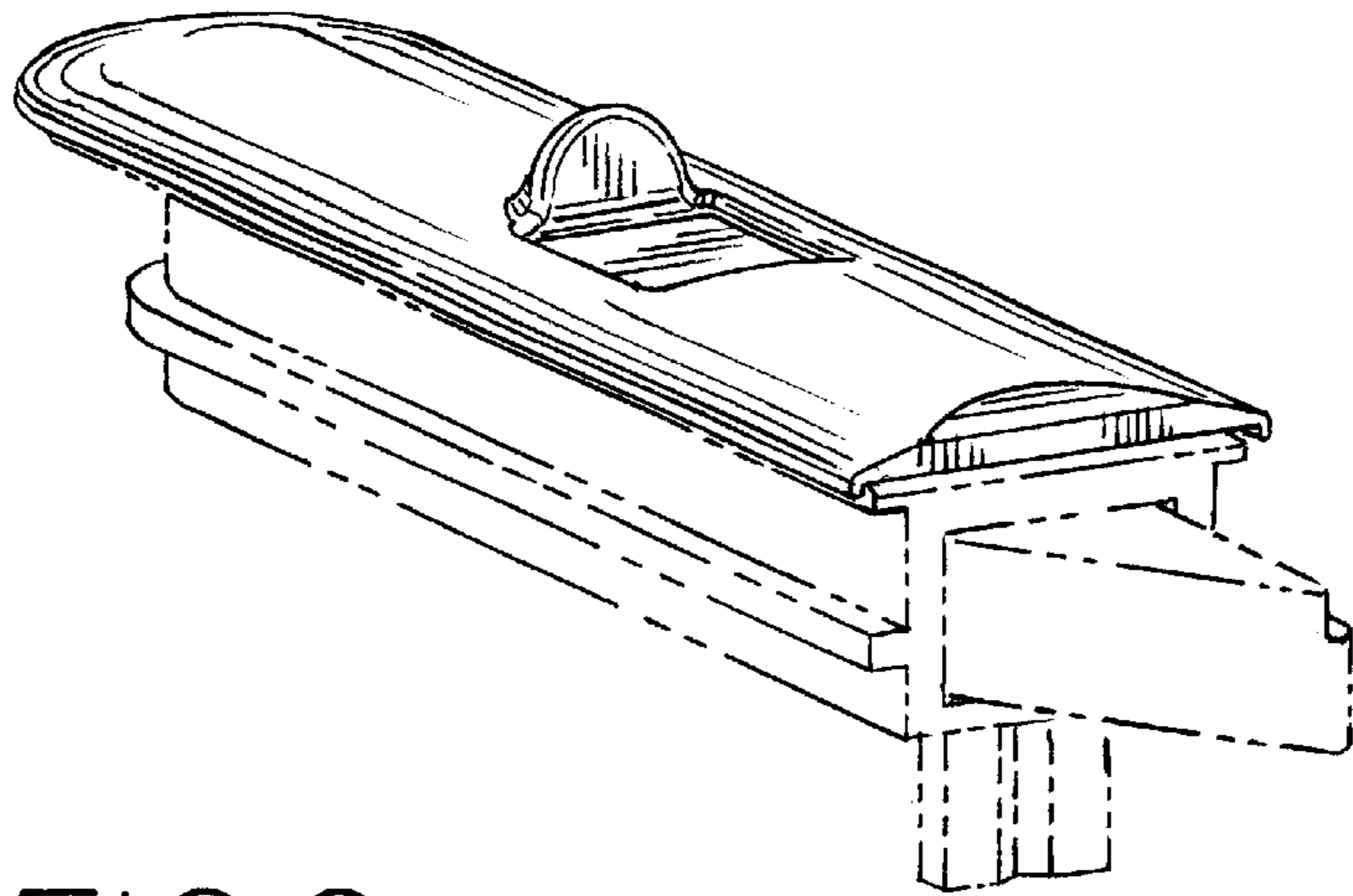


FIG.2

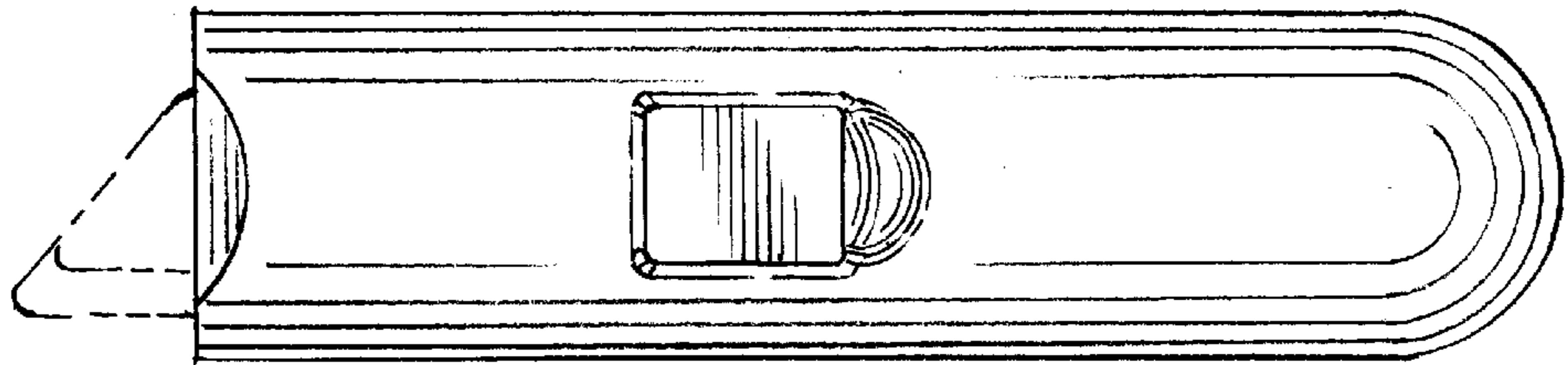


FIG.3

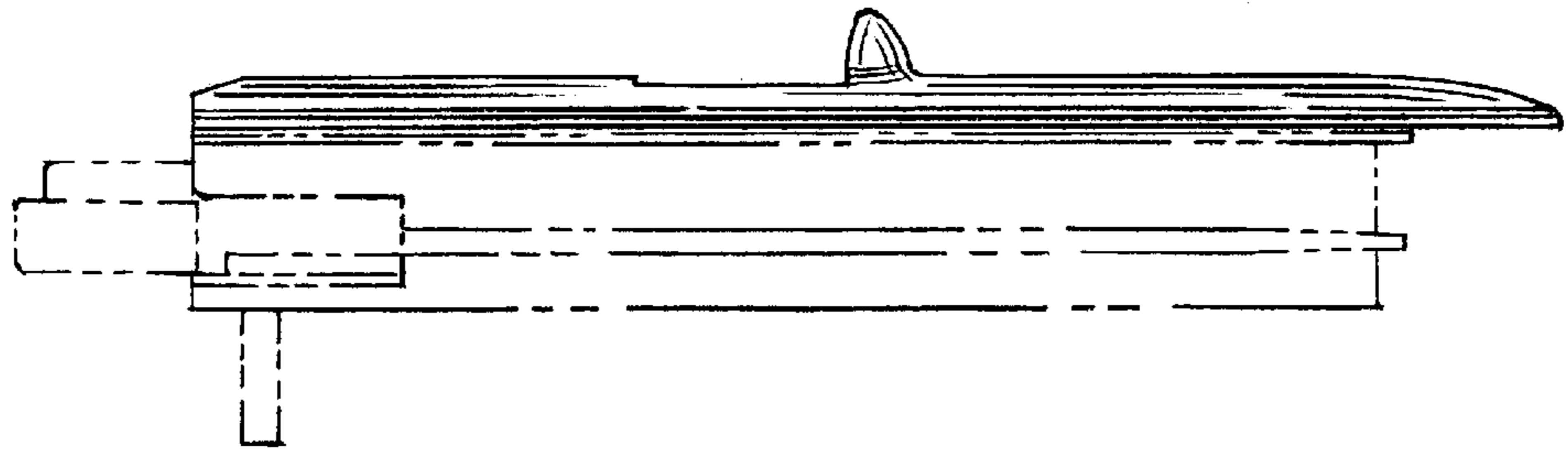


FIG.4

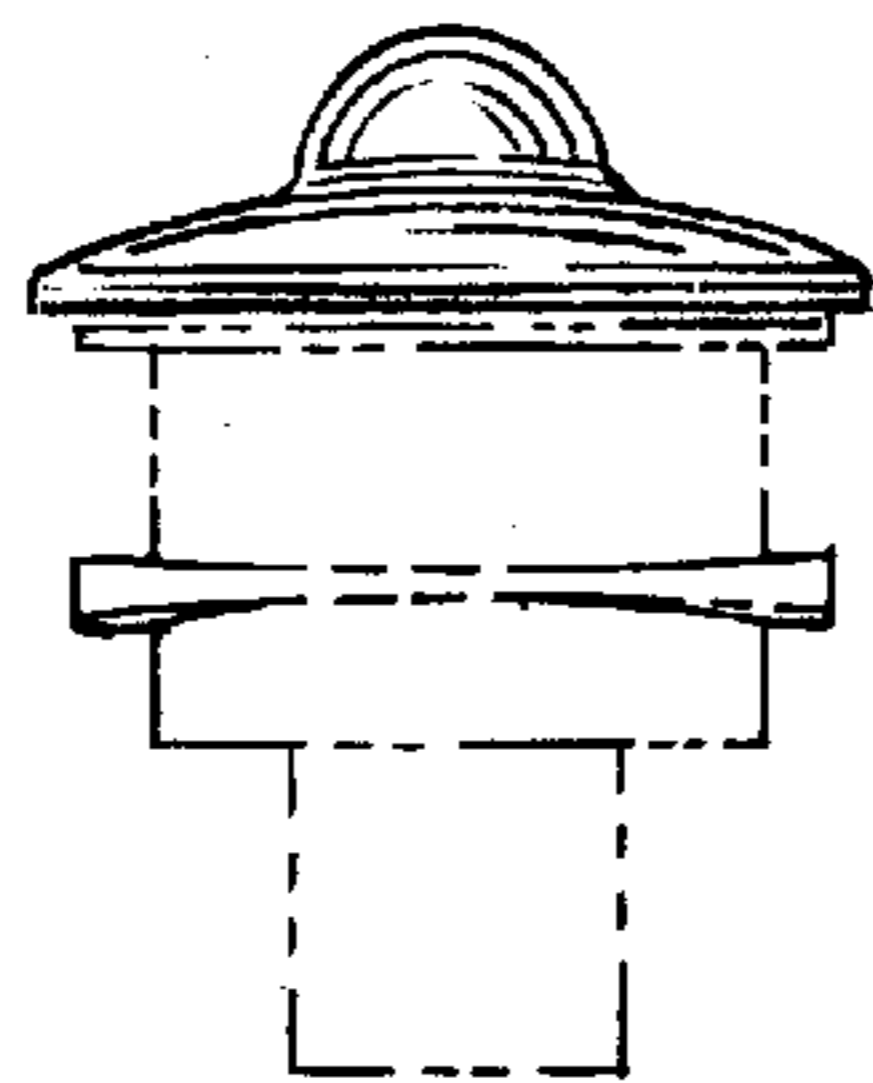


FIG.5

