



US00D456685S

(12) **United States Design Patent**  
**Keller**

(10) **Patent No.: US D456,685 S**

(45) **Date of Patent: \*\* May 7, 2002**

(54) **KNURLED COLLAR GUARD**

(75) Inventor: **David V. Keller**, Jackson, TN (US)

(73) Assignee: **Porter-Cable Corporation**, Jackson, TN (US)

(\*\*) Term: **14 Years**

(21) Appl. No.: **29/125,850**

(22) Filed: **Jun. 30, 2000**

(51) **LOC (7) Cl. .... 08-05**

(52) **U.S. Cl. .... D8/70**

(58) **Field of Search** ..... D8/61, 62, 63,  
D8/64, 65, 66, 67, 68, 69, 70; 30/123.3;  
81/54, 57.11, 57.42; 173/48, 109, 170;  
227/2, 8, 10, 111, 112, 113, 114, 115, 116,  
120, 123, 130, 131, 136, 142, 151; 451/451,  
356

4,462,381 A 7/1984 Fushiya et al.

4,574,532 A 3/1986 Häberle et al.

4,581,966 A 4/1986 Kaiser et al.

D288,768 S \* 3/1987 Karden et al. .... D8/62

4,735,020 A 4/1988 Schulz et al.

D295,824 S \* 5/1988 Hoshino et al. .... D8/62

D297,907 S \* 10/1988 Hoshimo et al. .... D8/62

D301,830 S \* 6/1989 Ogawa et al. .... D8/62

4,848,001 A 7/1989 Clark et al.

4,875,398 A 10/1989 Taylor et al.

D305,399 S \* 1/1990 Fushiya et al. .... D8/62

4,891,915 A 1/1990 Yasuda

4,924,635 A 5/1990 Rudolf et al.

4,932,164 A 6/1990 Sullivan et al.

4,955,162 A 9/1990 Jackson

4,974,578 A 12/1990 Charles et al.

4,989,374 A 2/1991 Rudolf et al.

5,005,321 A 4/1991 Barth et al.

D316,659 S \* 5/1991 Neff ..... D8/62

5,031,325 A 7/1991 Walter et al.

5,031,364 A 7/1991 Belanger

5,038,523 A 8/1991 Farber et al.

5,071,427 A 12/1991 Stahl

D323,100 S \* 1/1992 Pastore ..... D8/70

5,077,942 A 1/1992 Jacobsson

5,125,189 A 6/1992 Holmin et al.

D328,841 S \* 8/1992 Fushiya et al. .... D8/62

5,138,735 A 8/1992 Kusz et al.

5,163,252 A \* 11/1992 Garner et al. .... 451/451

D332,559 S \* 1/1993 Miyoshi et al. .... D8/62

D332,560 S \* 1/1993 Mikiya ..... D8/62

5,207,028 A 5/1993 Timmons

5,218,790 A 6/1993 Huang

D337,499 S \* 7/1993 Matsunaga ..... D8/69

5,263,283 A 11/1993 Rudolf et al.

D351,772 S \* 10/1994 Price ..... D8/62

D353,311 S \* 12/1994 Izumisawa ..... D8/62

5,384,985 A 1/1995 Jacobsson

5,386,667 A 2/1995 Häusslein et al.

5,396,706 A 3/1995 Fajnsztajn

5,398,456 A 3/1995 Kleider

5,407,381 A 4/1995 Schaefer et al.

5,411,433 A 5/1995 Keller

5,440,809 A \* 8/1995 Padilla ..... 451/451

5,466,183 A 11/1995 Kirn et al.

5,527,207 A 6/1996 Azar et al.

5,531,147 A 7/1996 Serban

5,558,569 A 9/1996 Lee

5,558,571 A 9/1996 Toyoshima et al.

(56) **References Cited**

**U.S. PATENT DOCUMENTS**

828,706 A 8/1906 Bohling et al.

2,189,246 A \* 2/1940 Henry ..... 451/451

2,301,264 A \* 11/1942 Emery ..... 451/451

2,498,951 A \* 2/1950 Froese ..... 451/451

D180,437 S \* 6/1957 Burleigh ..... D8/62

2,819,570 A \* 1/1958 Tocci-Guilbert et al. .... 451/451

3,068,620 A \* 12/1962 Tocci-Guilbert ..... 451/451

3,646,712 A 3/1972 Quintana

3,818,648 A 6/1974 Evans

3,835,595 A 9/1974 Oshima et al.

3,876,015 A 4/1975 Kivela

3,969,856 A 7/1976 Zerrer

4,024,633 A 5/1977 Stucker

4,058,936 A 11/1977 Marton

4,059,930 A 11/1977 Alessio

4,065,886 A 1/1978 Harwood et al.

4,125,968 A 11/1978 Mackey

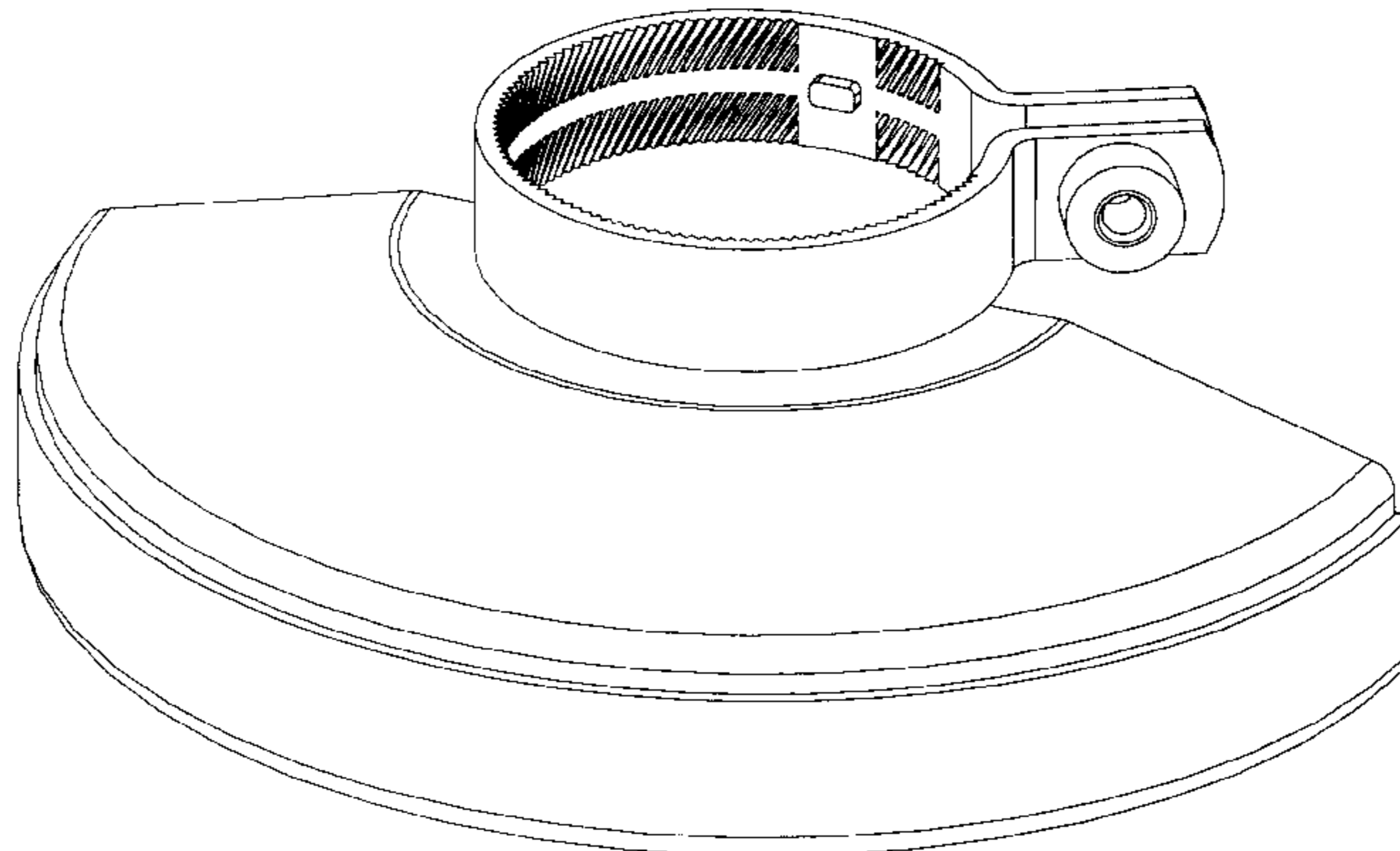
D255,417 S \* 6/1980 Sakamoto et al. .... D8/62

4,294,046 A 10/1981 Damiano

4,330,967 A 5/1982 Richardson

4,400,995 A 8/1983 Palm

4,434,586 A 3/1984 Müller et al.



D376,968 S	*	12/1996	Kim .....	D8/62
D378,183 S	*	2/1997	Dognini .....	D8/62
5,624,305 A		4/1997	Brown	
5,637,035 A		6/1997	Yee	
5,679,066 A		10/1997	Butz et al.	
5,681,214 A		10/1997	Kleider et al.	
5,733,183 A		3/1998	Schierling et al.	
5,766,062 A		6/1998	Edling	
5,794,300 A		8/1998	McCracken et al.	
5,839,359 A		11/1998	Gardner	
5,839,950 A		11/1998	Johansson Edling et al.	
D402,870 S	*	12/1998	Etter et al. ....	D8/62
D408,244 S	*	4/1999	Price .....	D8/62
D411,424 S	*	6/1999	Saito .....	D8/62
5,940,976 A		8/1999	Söderqvist et al.	
D423,898 S	*	5/2000	Kelley .....	D8/61
D433,906 S	*	11/2000	Heun .....	D8/61
D437,199 S	*	2/2001	Robson .....	D8/62

OTHER PUBLICATIONS

Rockwell Portable Power Tools, No. 25704 Guard, p. 2.\*  
 Black & Decker Sander and Grinder Accessories, No. 50885 and 37109 guard assemblies, Catalogue 1 (U).\*  
 Rockwell Professional Power Tools, No. 54342 and 54343 wheel assembly guards, p. 51.\*  
 AEG Power Tool Corp., steel grinding wheel guards, various sizes and model #s, p. 30.\*  
 Makita Power Tools, wheel guards, various sizes and model #s, p. 118.\*  
 Sioux Professional Power Tools, guards for air and electric grinders, No. 2311, 2346, 2337, p. 19, catalogue #871.\*  
 Makita grinder accessories, wheel guards various sizes and numbers, p. 143.\*  
 Porter Cable, sander/grinder guard No. 54341.\*

\* cited by examiner

*Primary Examiner*—Doris V. Coles  
*Assistant Examiner*—T. Chase Nelson  
 (74) *Attorney, Agent, or Firm*—Merchant & Gould P.C.

(57) CLAIM

The ornamental design for a knurled collar guard, as shown and described.

DESCRIPTION

FIG. 1 is a front and top right perspective view of a first embodiment of a knurled collar guard.  
 FIG. 2 is a front and top left perspective view of the first embodiment of the knurled collar guard shown in FIG. 1.  
 FIG. 3 is a front elevational view of the first embodiment of the knurled collar guard shown in FIG. 1.  
 FIG. 4 is a rear elevational view of the first embodiment of the knurled collar guard shown in FIG. 1.  
 FIG. 5 is a right side elevational view of the first embodiment of the knurled collar guard shown in FIG. 1.  
 FIG. 6 is a left side elevational view of the first embodiment of the knurled collar guard shown in FIG. 1.

FIG. 7 is a top plan view of the first embodiment of the knurled collar guard shown in FIG. 1.  
 FIG. 8 is a bottom plan view of the first embodiment of the knurled collar guard shown in FIG. 1.  
 FIG. 9 is a front and top right perspective view of a second embodiment of a knurled collar guard.  
 FIG. 10 is a front and top left perspective view of the second embodiment of the knurled collar guard shown in FIG. 9.  
 FIG. 11 is a front elevational view of the second embodiment of the knurled collar guard shown in FIG. 9.  
 FIG. 12 is a rear elevational view of the second embodiment of the knurled collar guard shown in FIG. 9.  
 FIG. 13 is a right side elevational view of the second embodiment of the knurled collar guard shown in FIG. 9.  
 FIG. 14 is a left side elevational view of the second embodiment of the knurled collar guard shown in FIG. 9.  
 FIG. 15 is a top plan view of the second embodiment of the knurled collar guard shown in FIG. 9.  
 FIG. 16 is a bottom plan view of the second embodiment of the knurled collar guard shown in FIG. 9.  
 FIG. 17 is a front and top right perspective view of a third embodiment of a knurled collar guard.  
 FIG. 18 is a front and top left perspective view of the third embodiment of the knurled collar guard shown in FIG. 17.  
 FIG. 19 is a front elevational view of the third embodiment of the knurled collar guard shown in FIG. 17.  
 FIG. 20 is a rear elevational view of the third embodiment of the knurled collar guard shown in FIG. 17.  
 FIG. 21 is a right side elevational view of the third embodiment of the knurled collar guard shown in FIG. 17.  
 FIG. 22 is a left side elevational view of the third embodiment of the knurled collar guard shown in FIG. 17.  
 FIG. 23 is a top plan view of the third embodiment of the knurled collar guard shown in FIG. 17.  
 FIG. 24 is a bottom plan view of the third embodiment of the knurled collar guard shown in FIG. 17.  
 FIG. 25 is a front and top right perspective view of a fourth embodiment of a knurled collar guard.  
 FIG. 26 is a front and top left perspective view of the fourth embodiment of the knurled collar guard shown in FIG. 25.  
 FIG. 27 is a front elevational view of the fourth embodiment of the knurled collar guard shown in FIG. 25.  
 FIG. 28 is a rear elevational view of the fourth embodiment of the knurled collar guard shown in FIG. 25.  
 FIG. 29 is a right side elevational view of the fourth embodiment of the knurled collar guard shown in FIG. 25.  
 FIG. 30 is a left side elevational view of the fourth embodiment of the knurled collar guard shown in FIG. 25.  
 FIG. 31 is a top plan view of the fourth embodiment of the knurled collar guard shown in FIG. 25; and,  
 FIG. 32 is a bottom plan view of the fourth embodiment of the knurled collar guard shown in FIG. 25.

1 Claim, 16 Drawing Sheets

FIG. 1

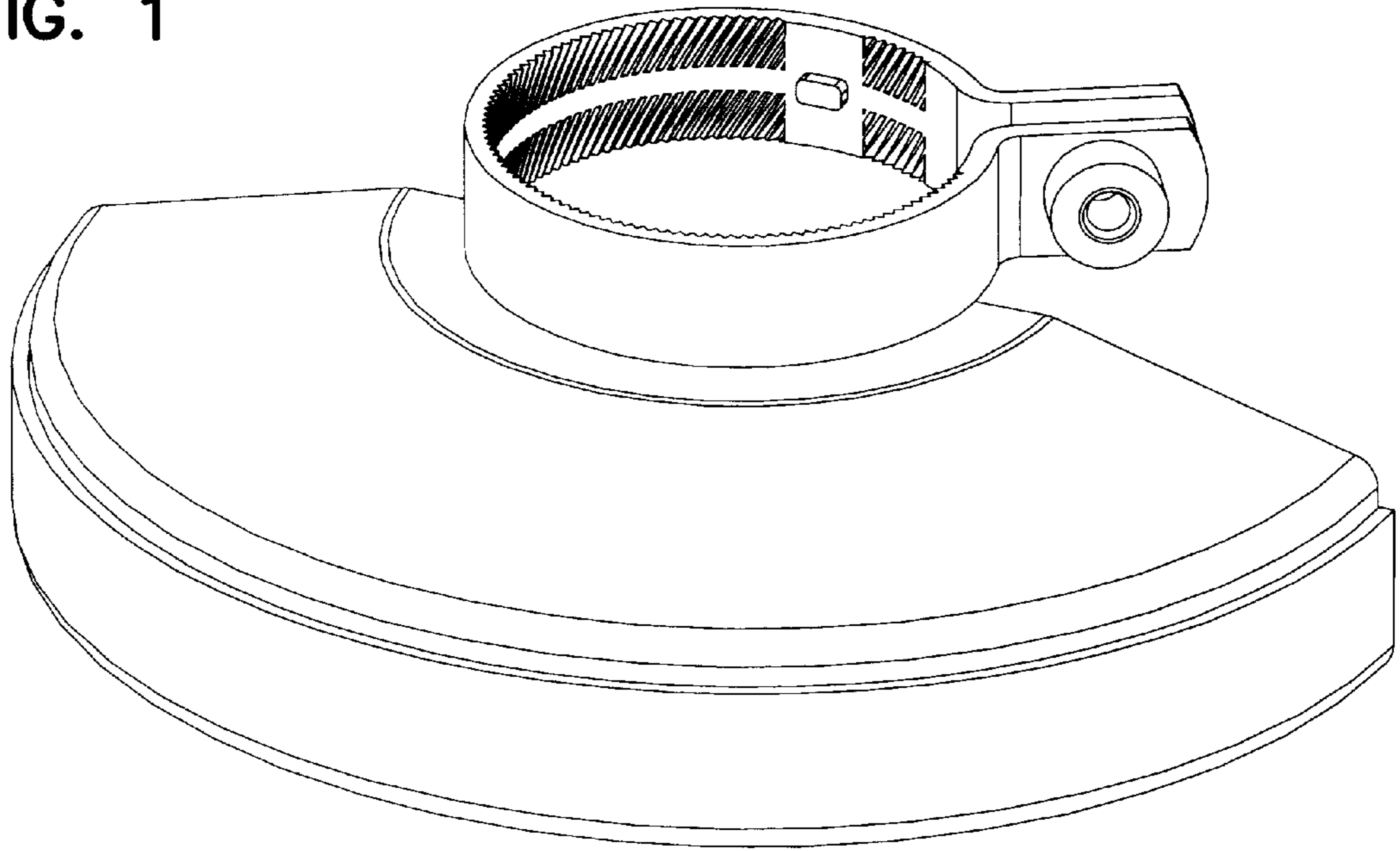


FIG. 2

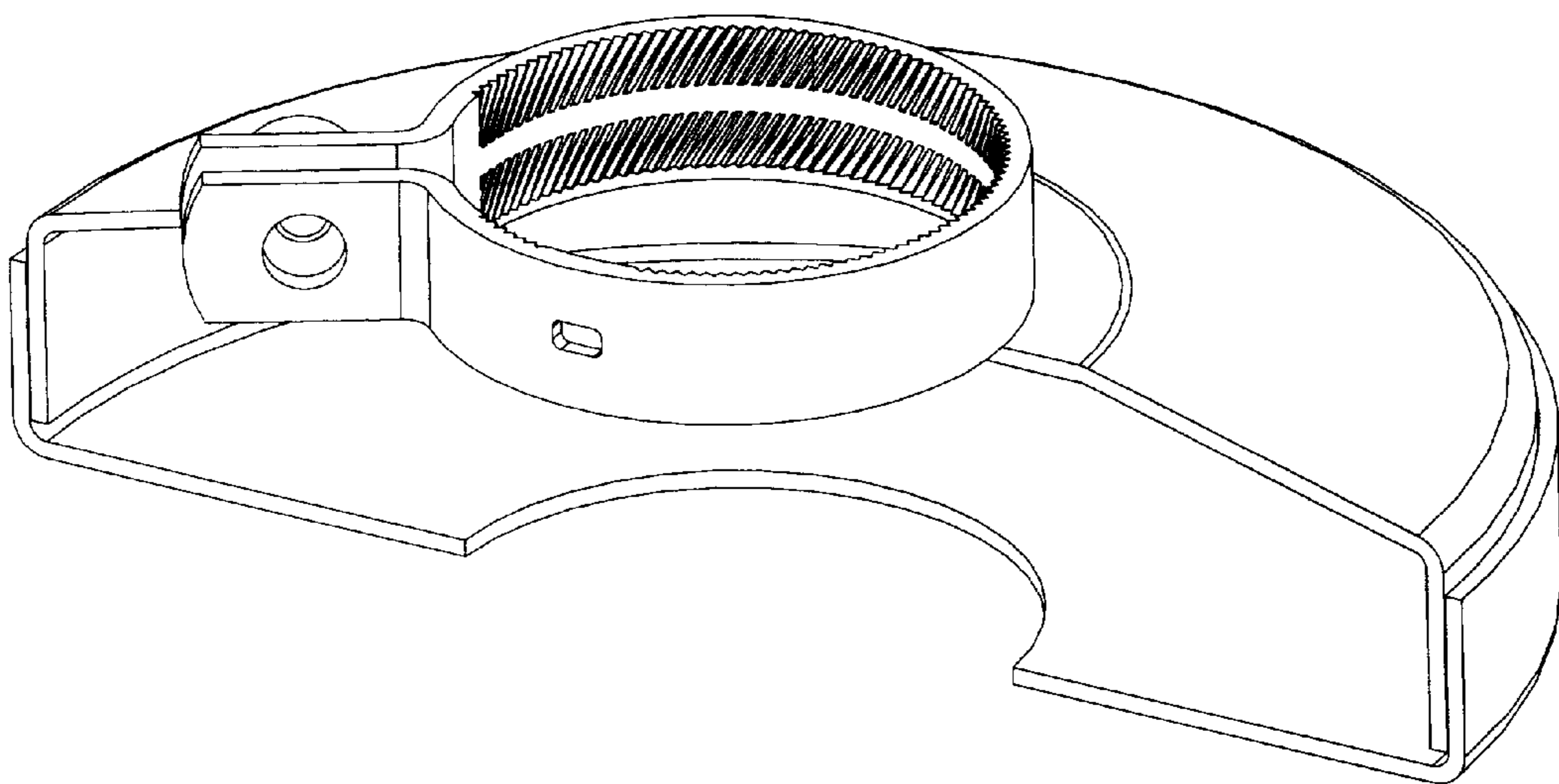


FIG. 3

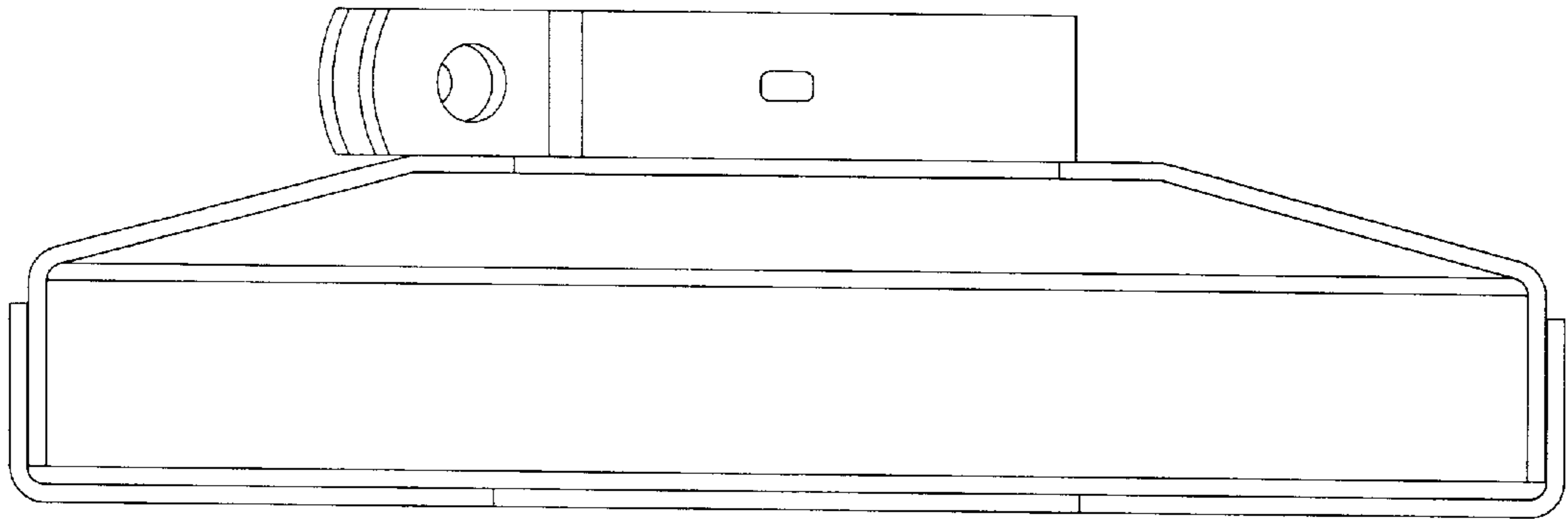


FIG. 4

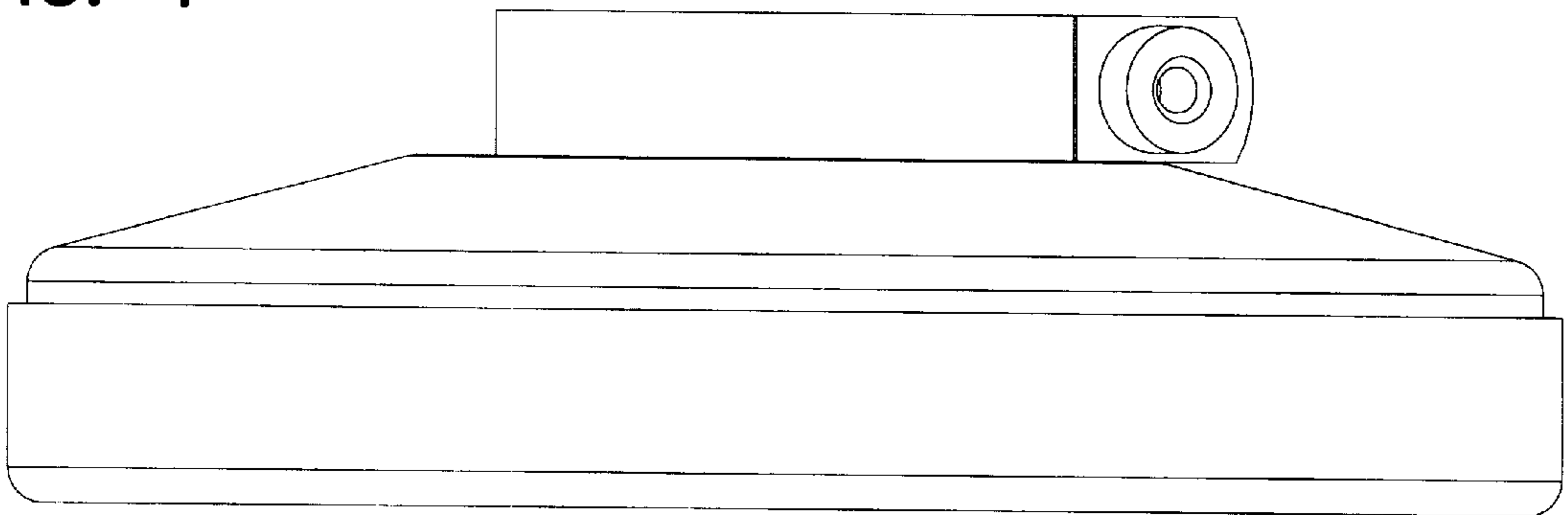


FIG. 6

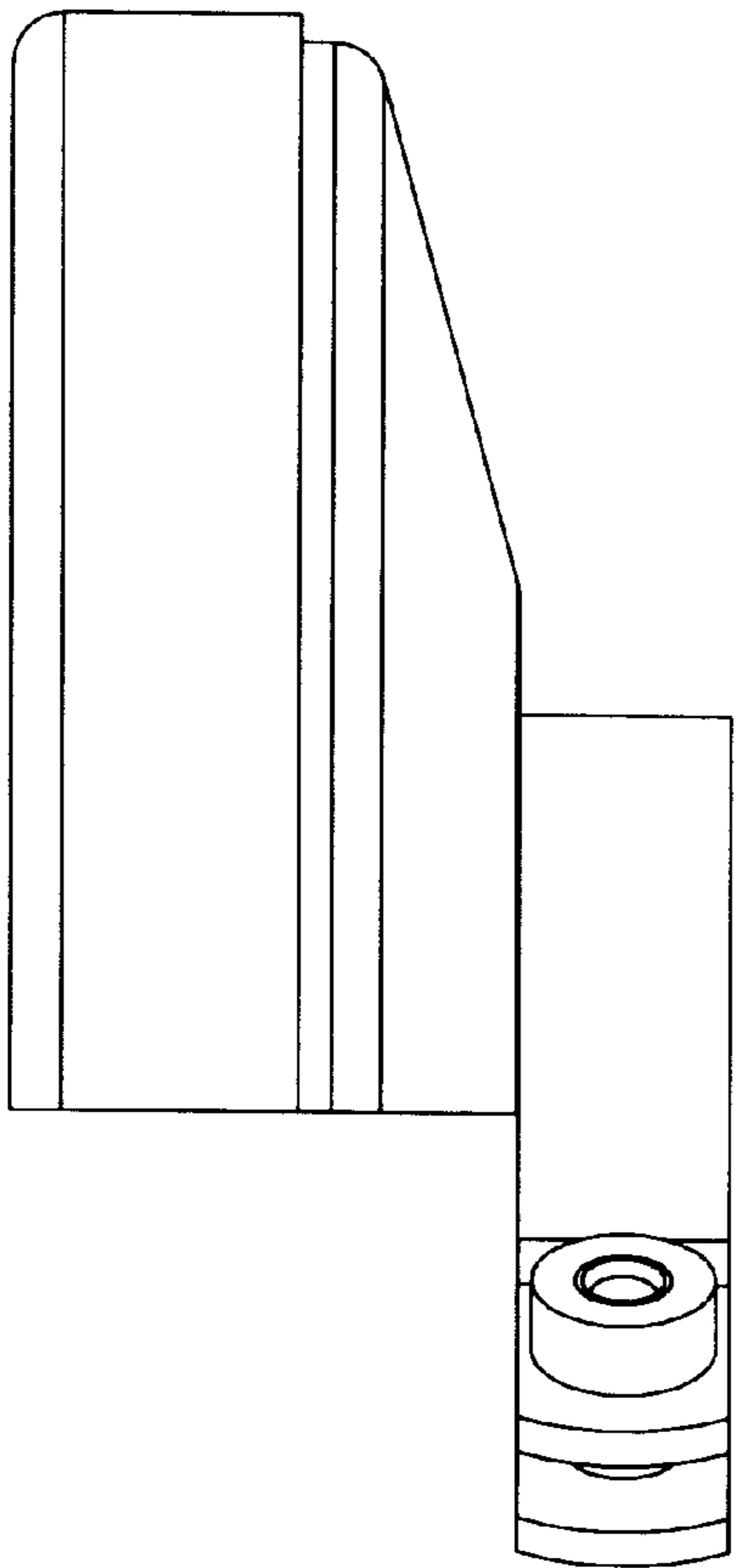


FIG. 5

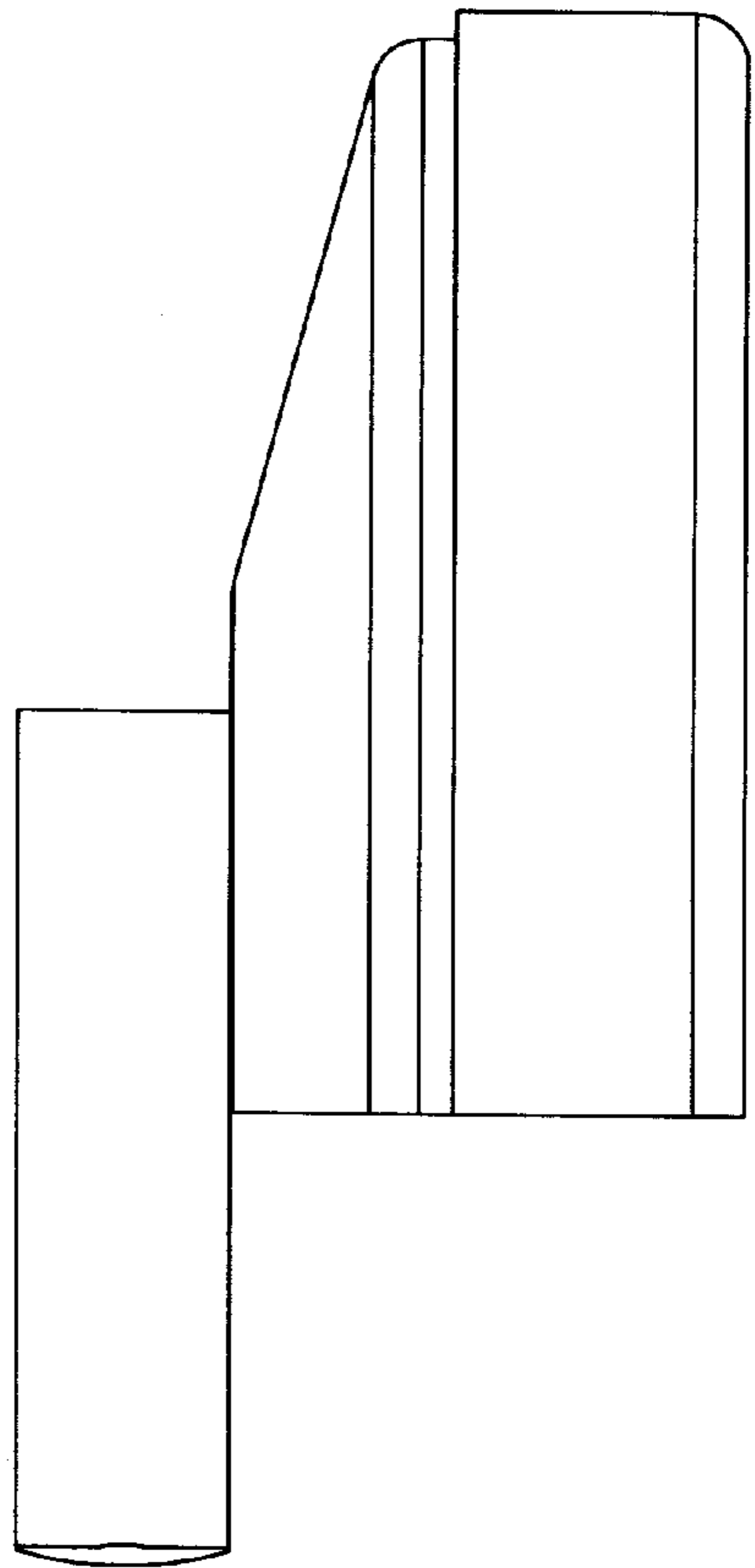


FIG. 7

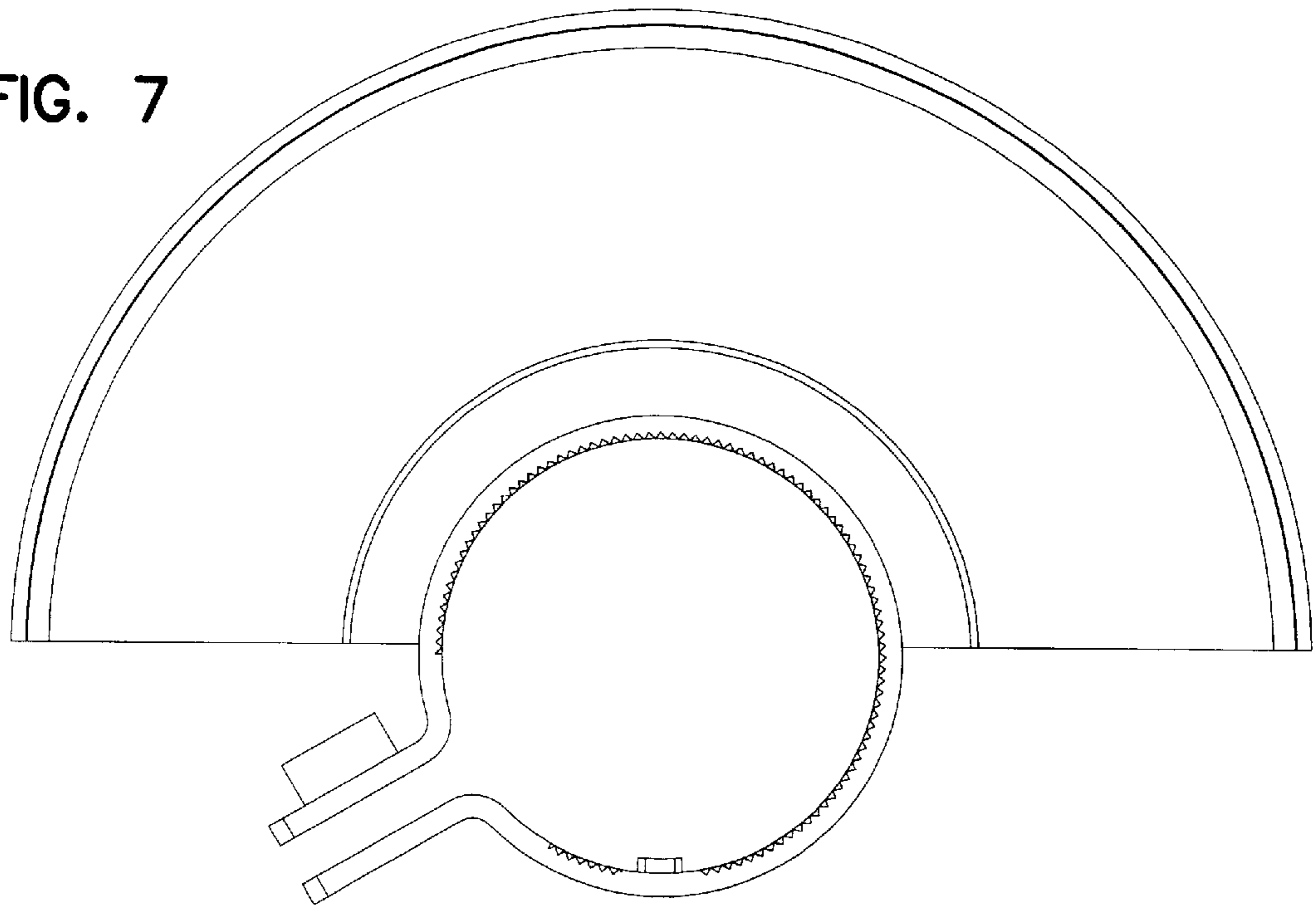


FIG. 8

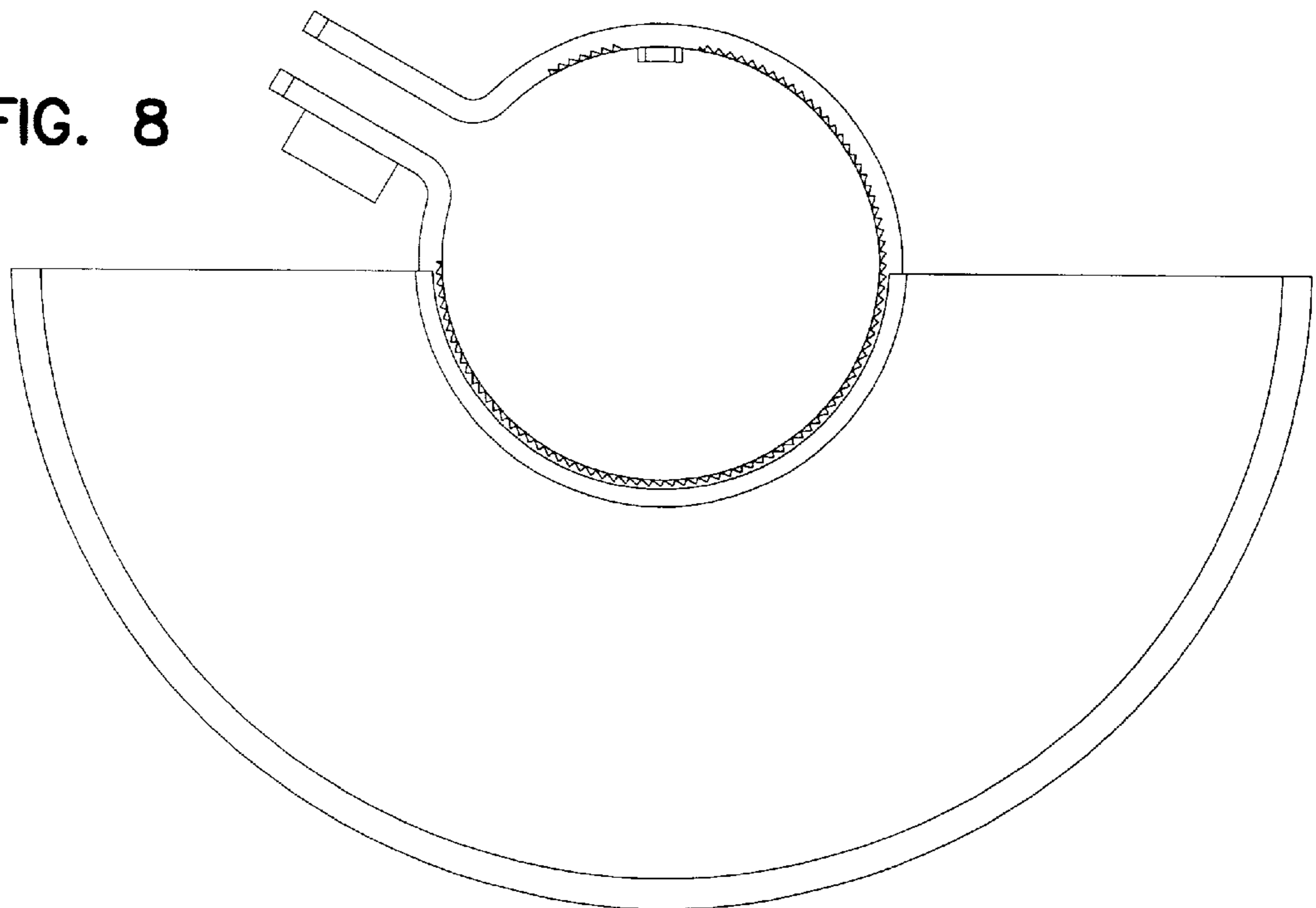


FIG. 10

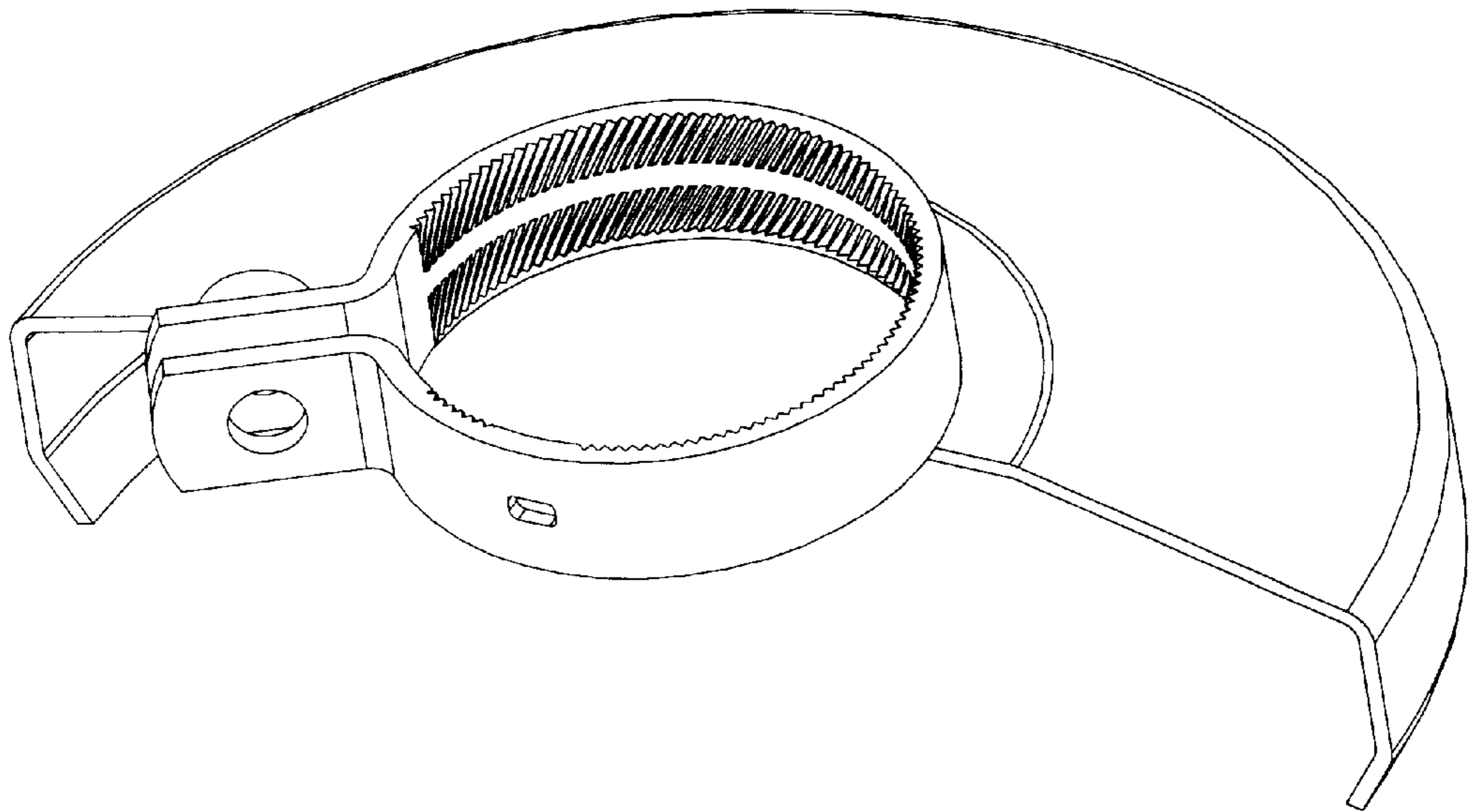


FIG. 9

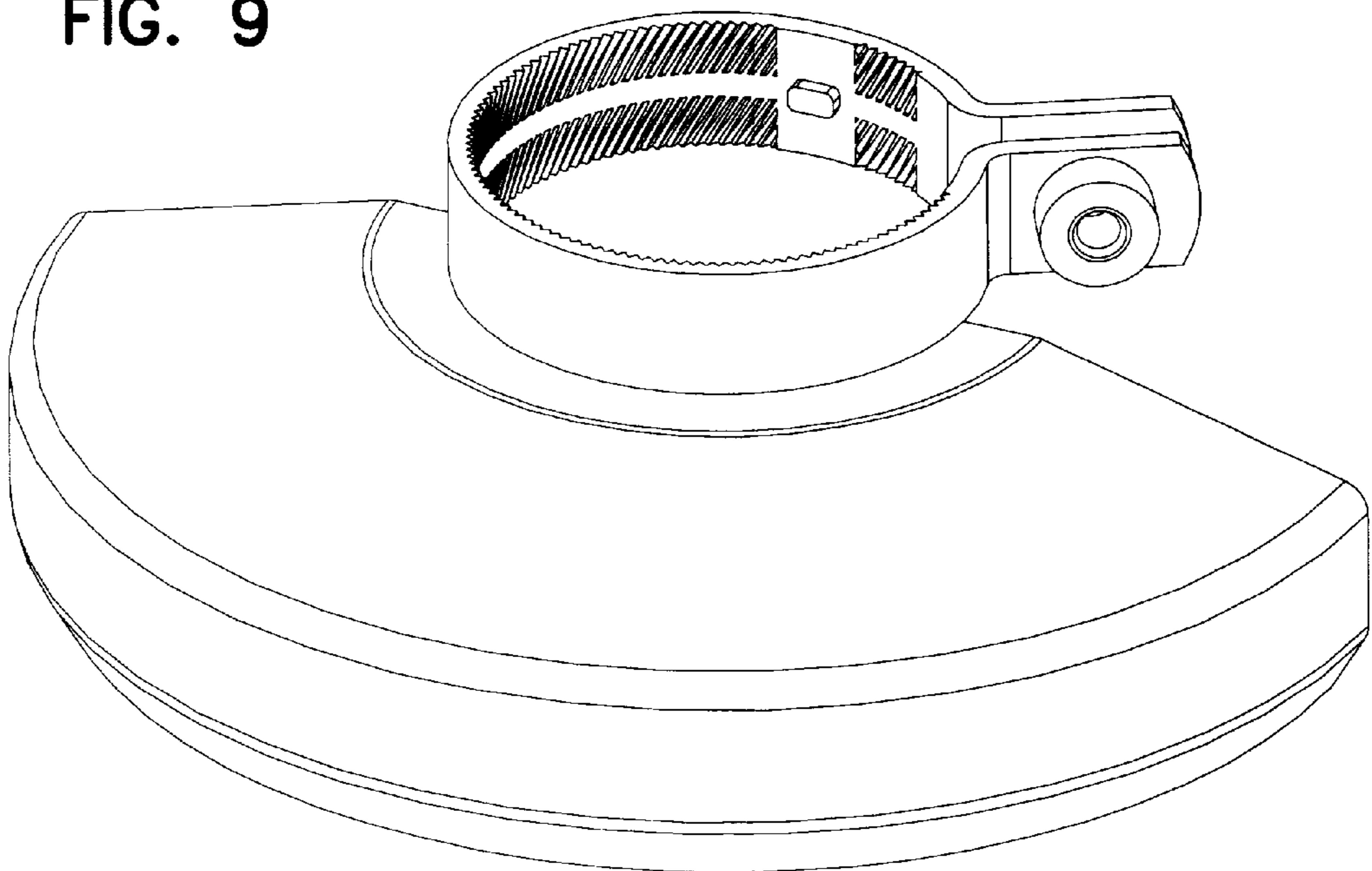


FIG. 11

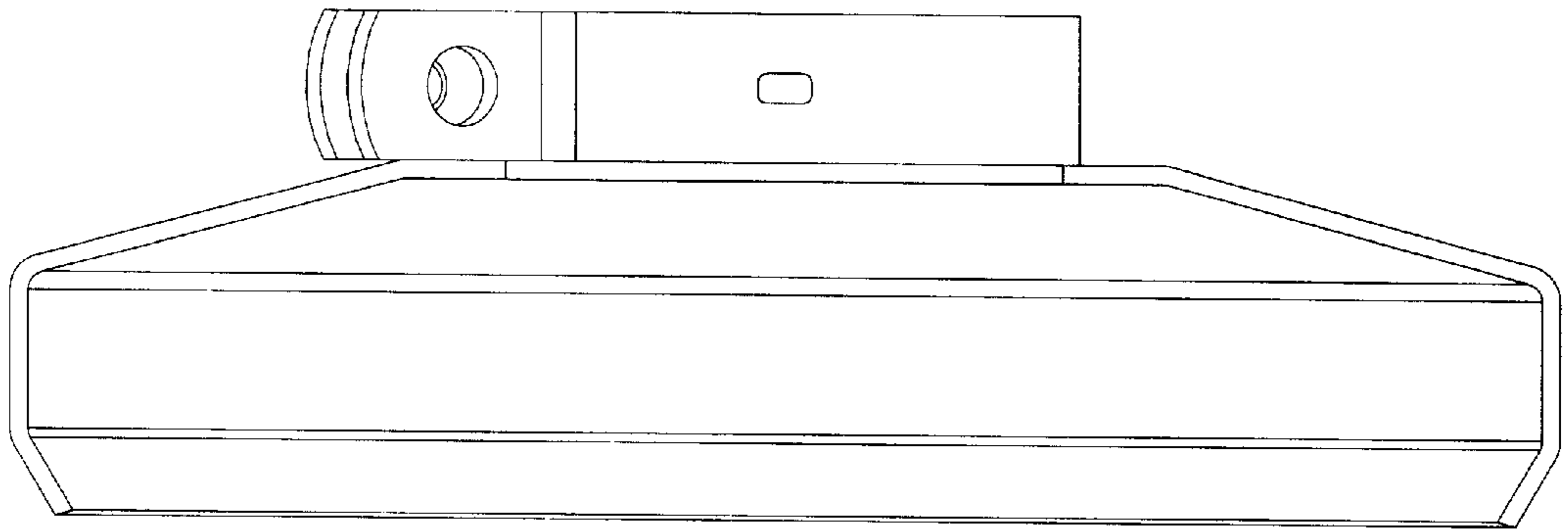


FIG. 12

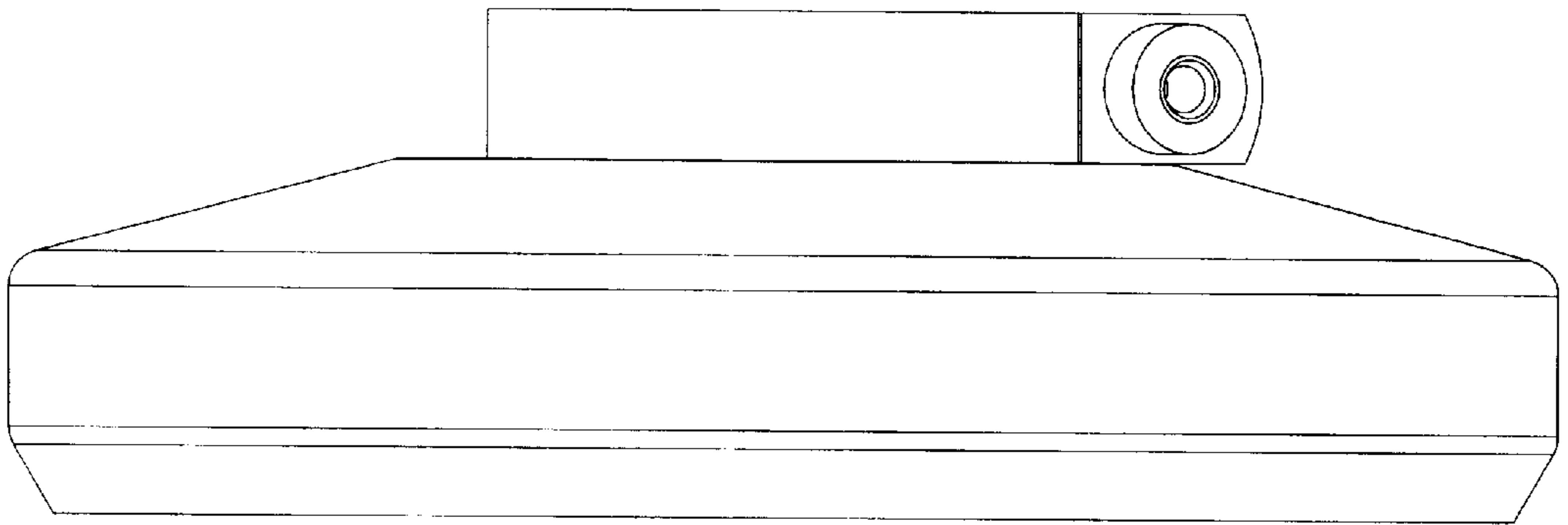




FIG. 14

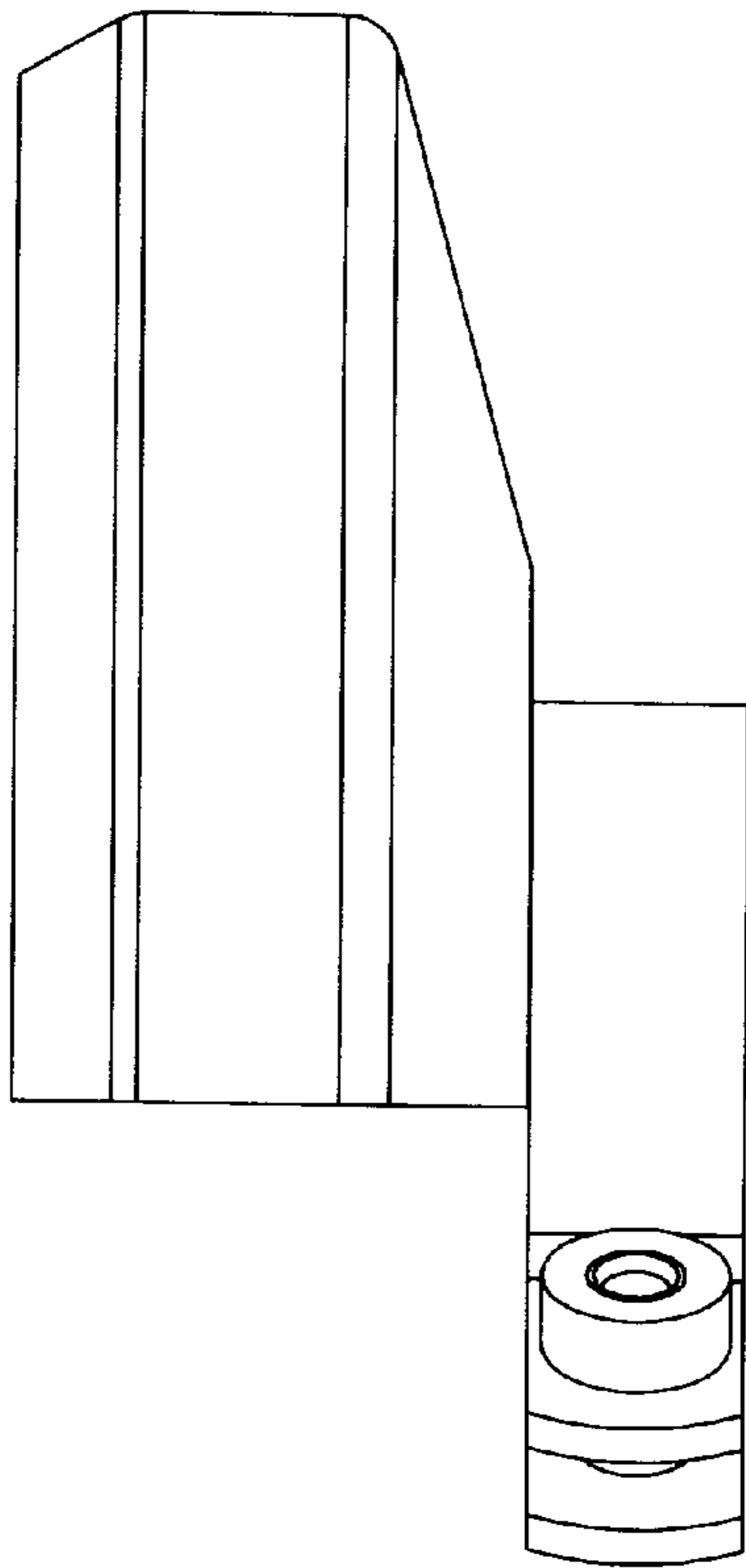


FIG. 13

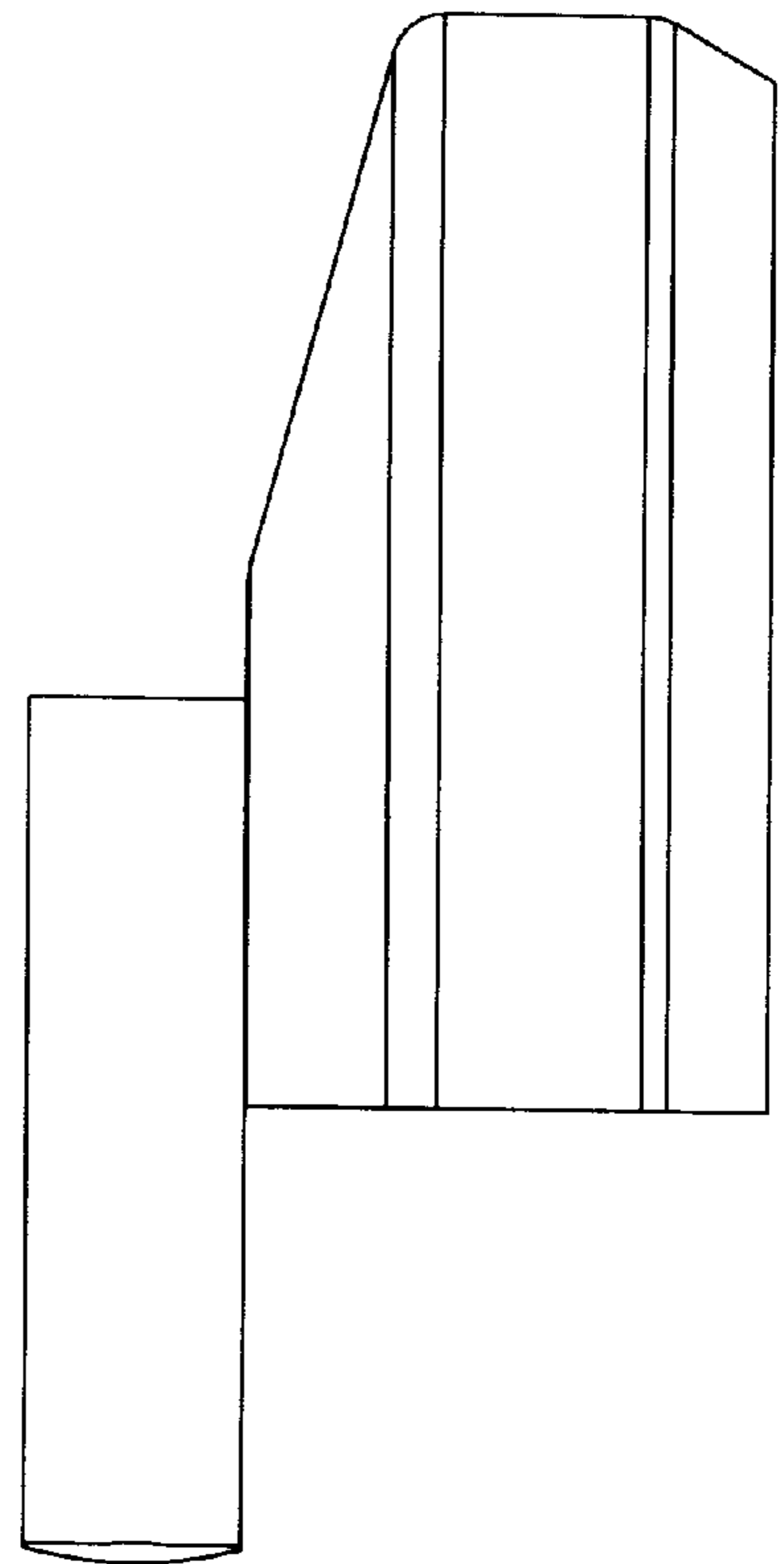


FIG. 15

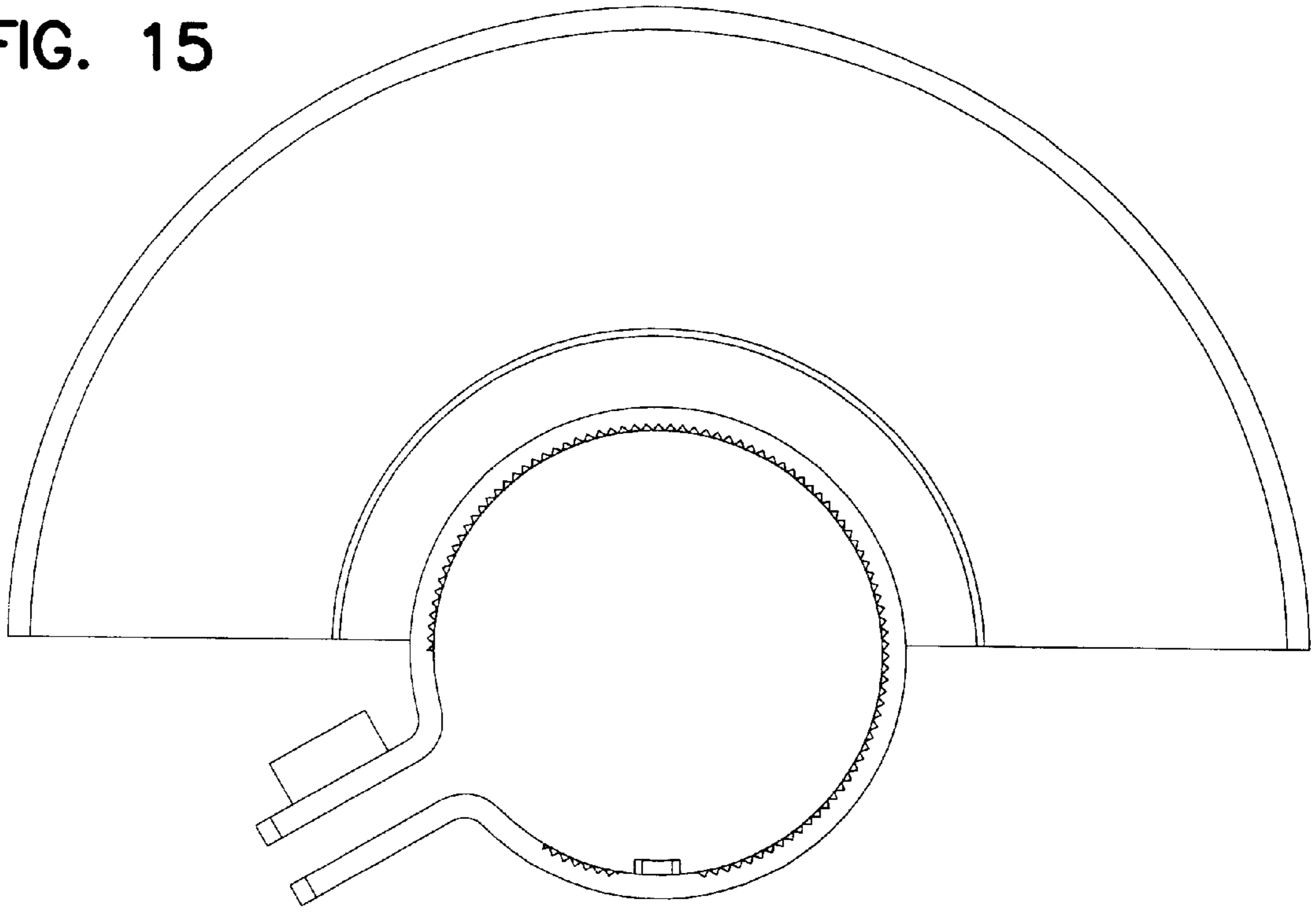


FIG. 16

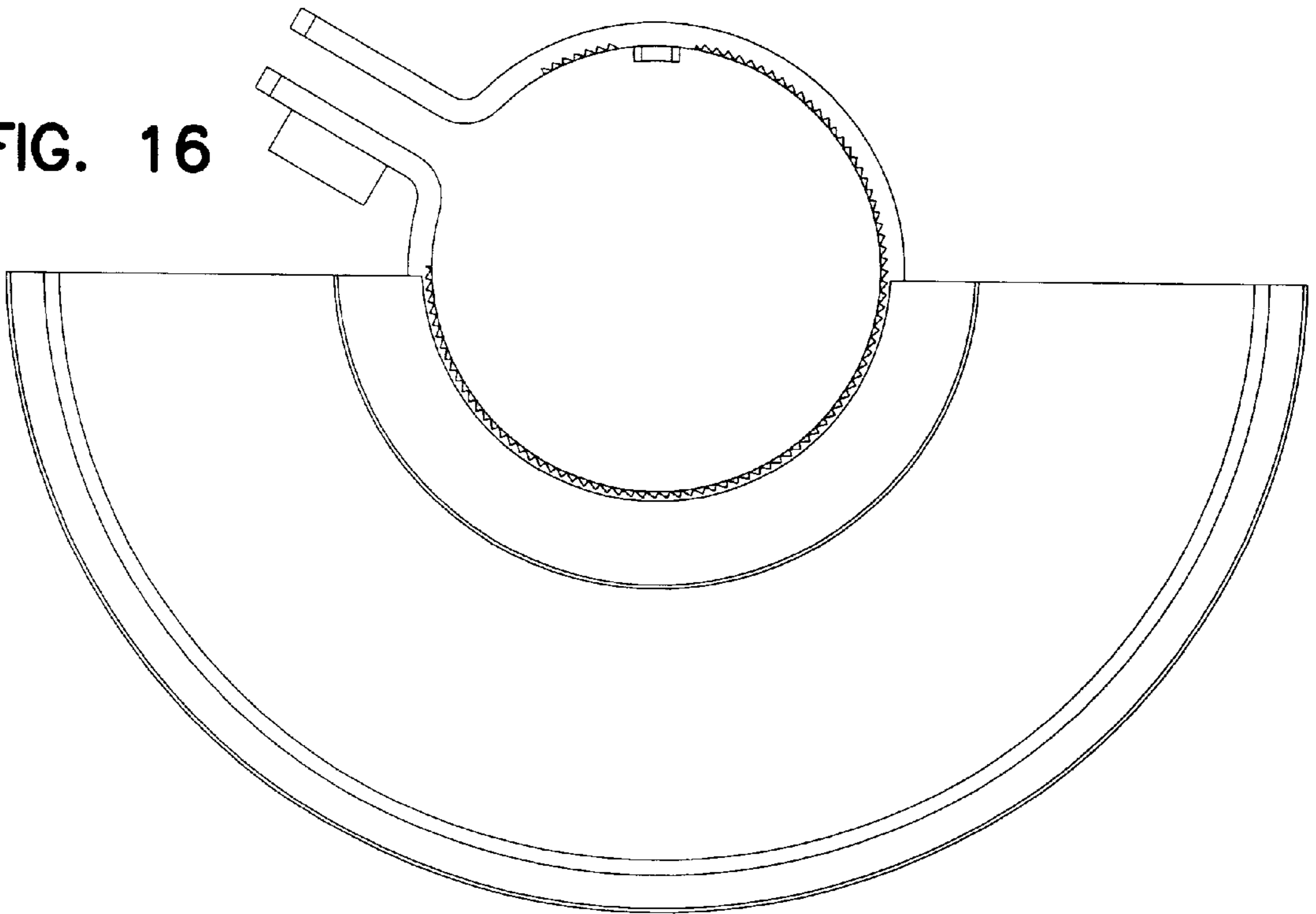


FIG. 18

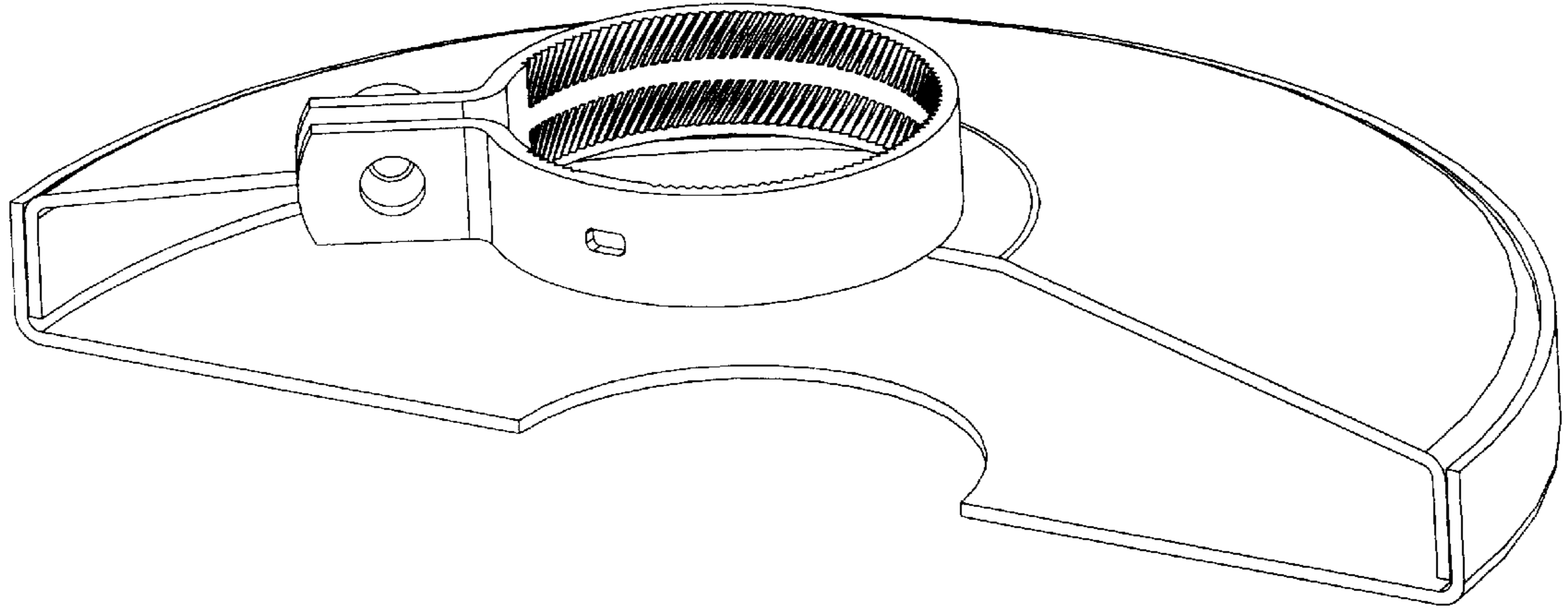


FIG. 17

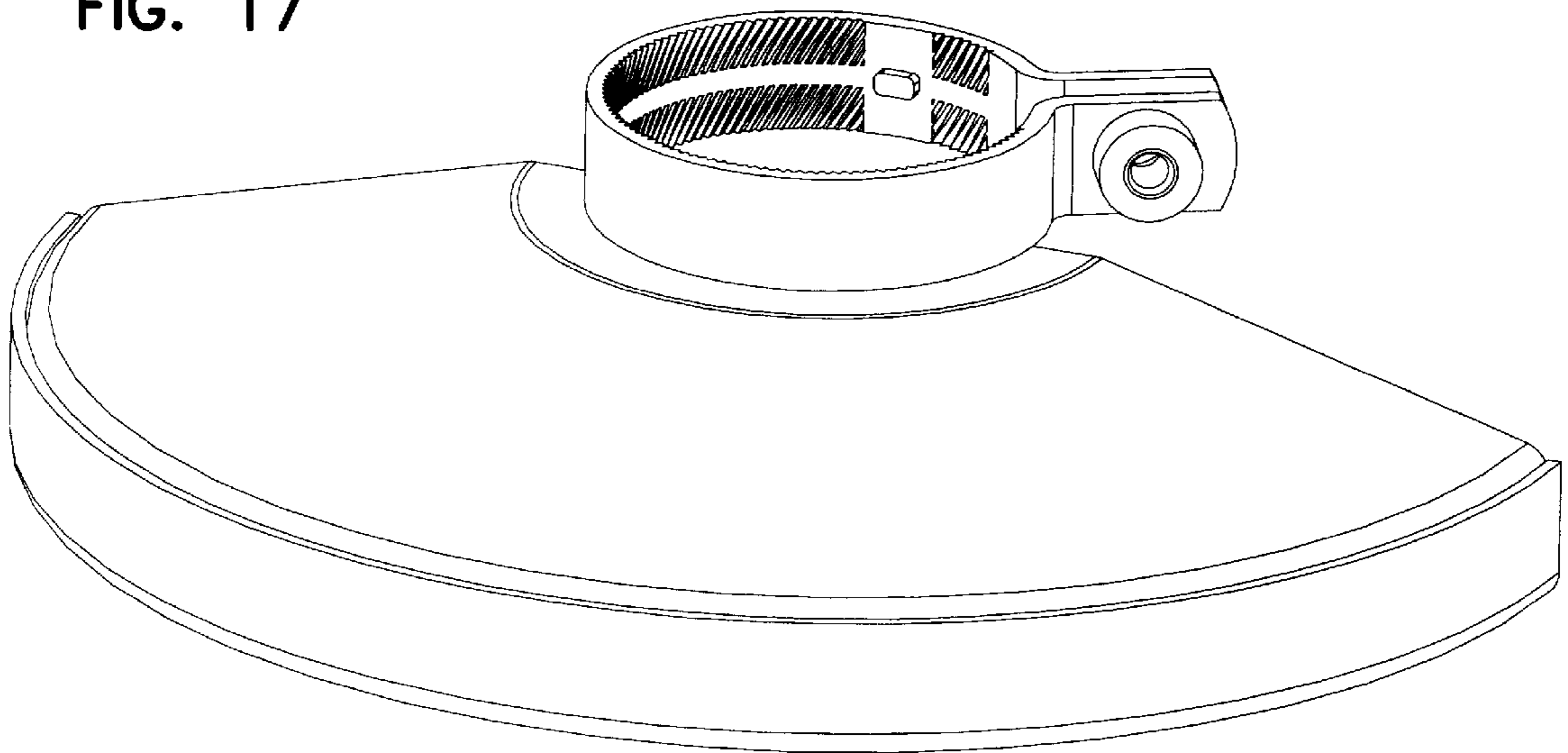


FIG. 19

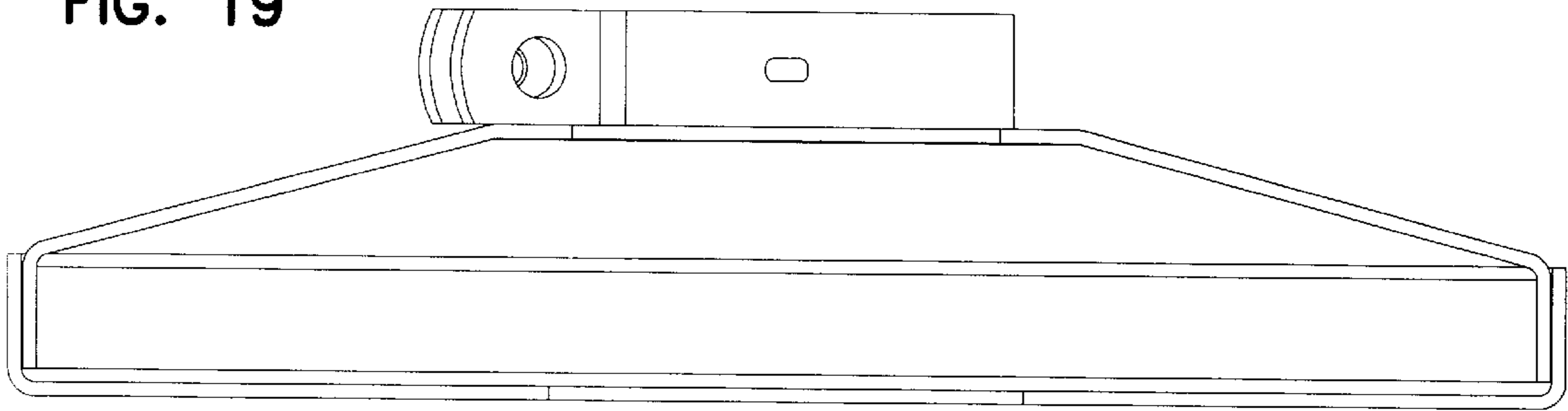


FIG. 20

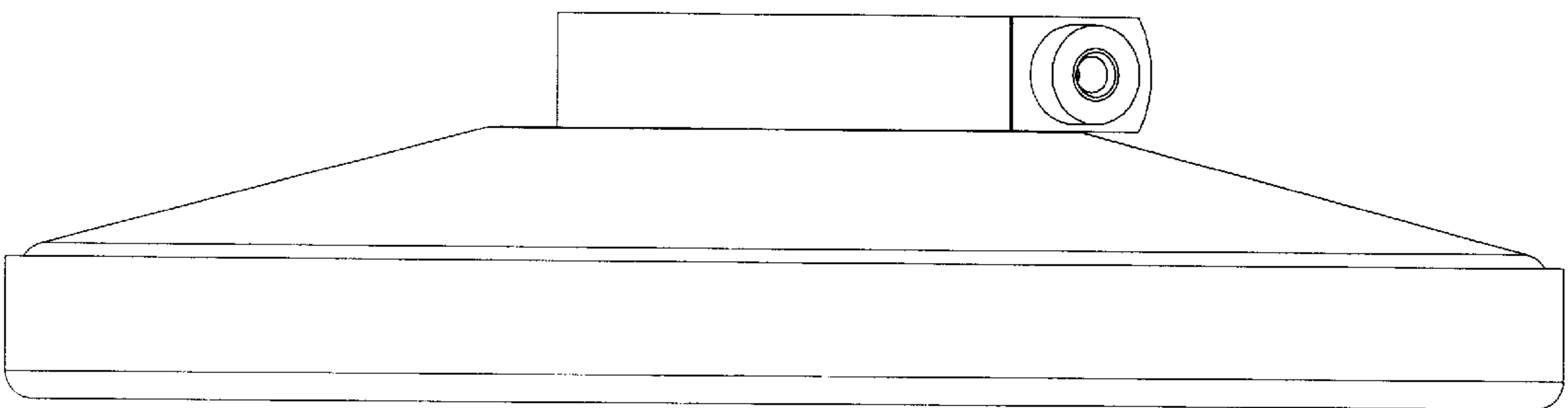


FIG. 22

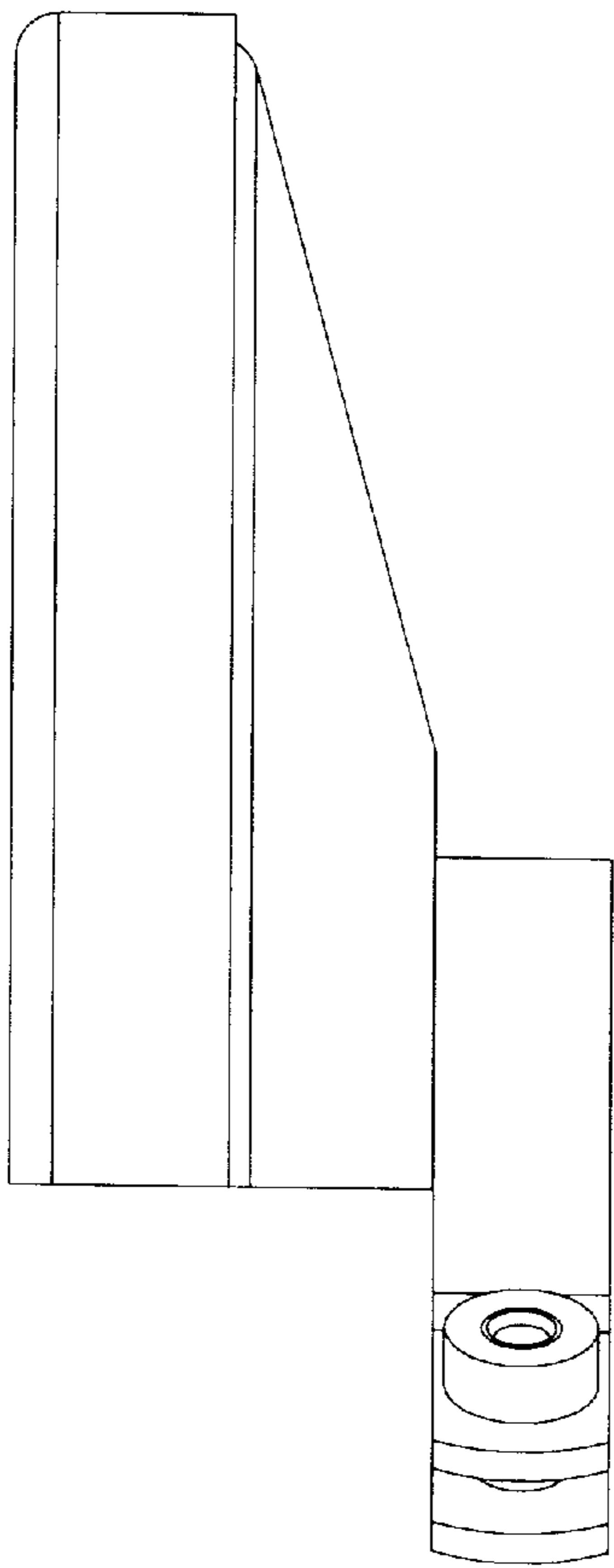


FIG. 21

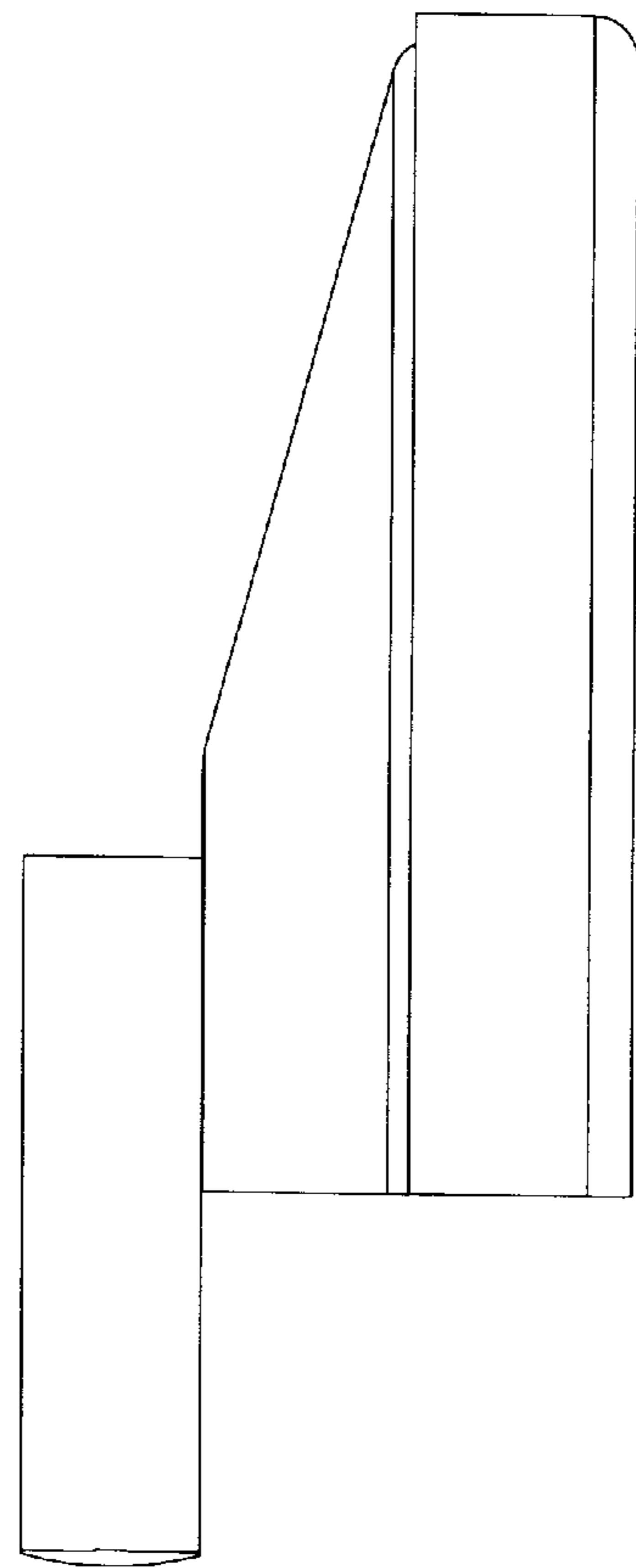


FIG. 23

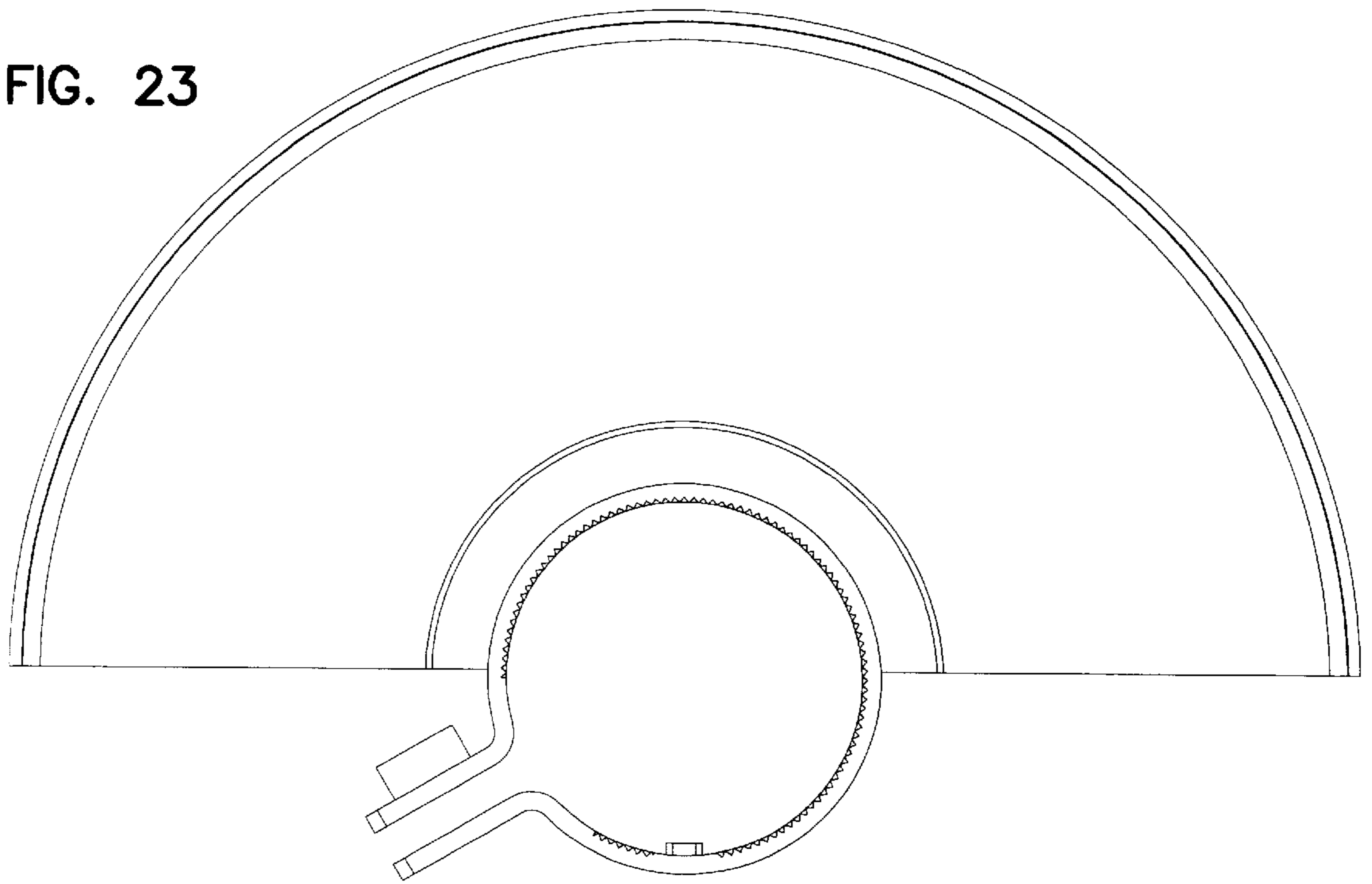


FIG. 24

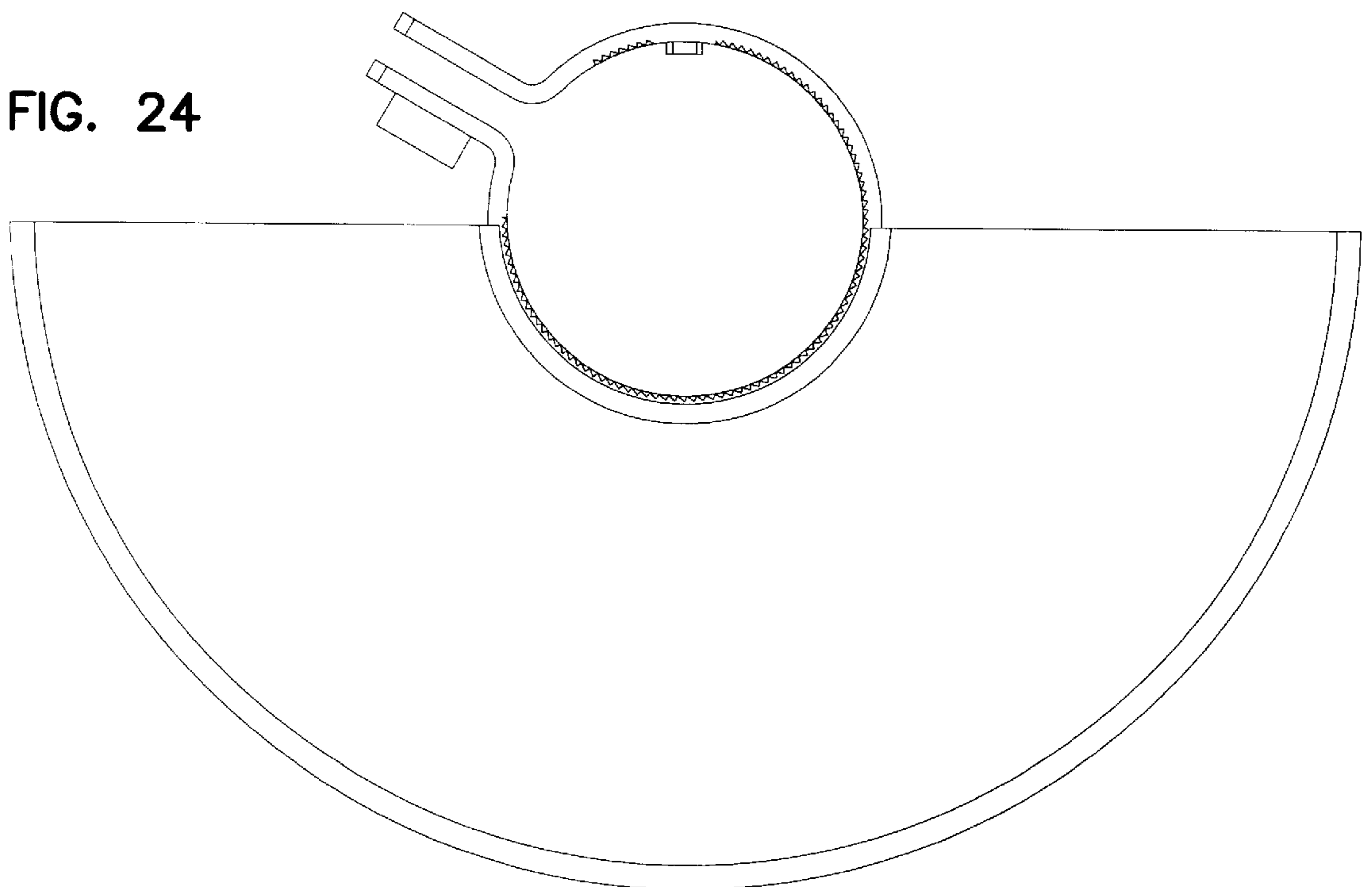


FIG. 25

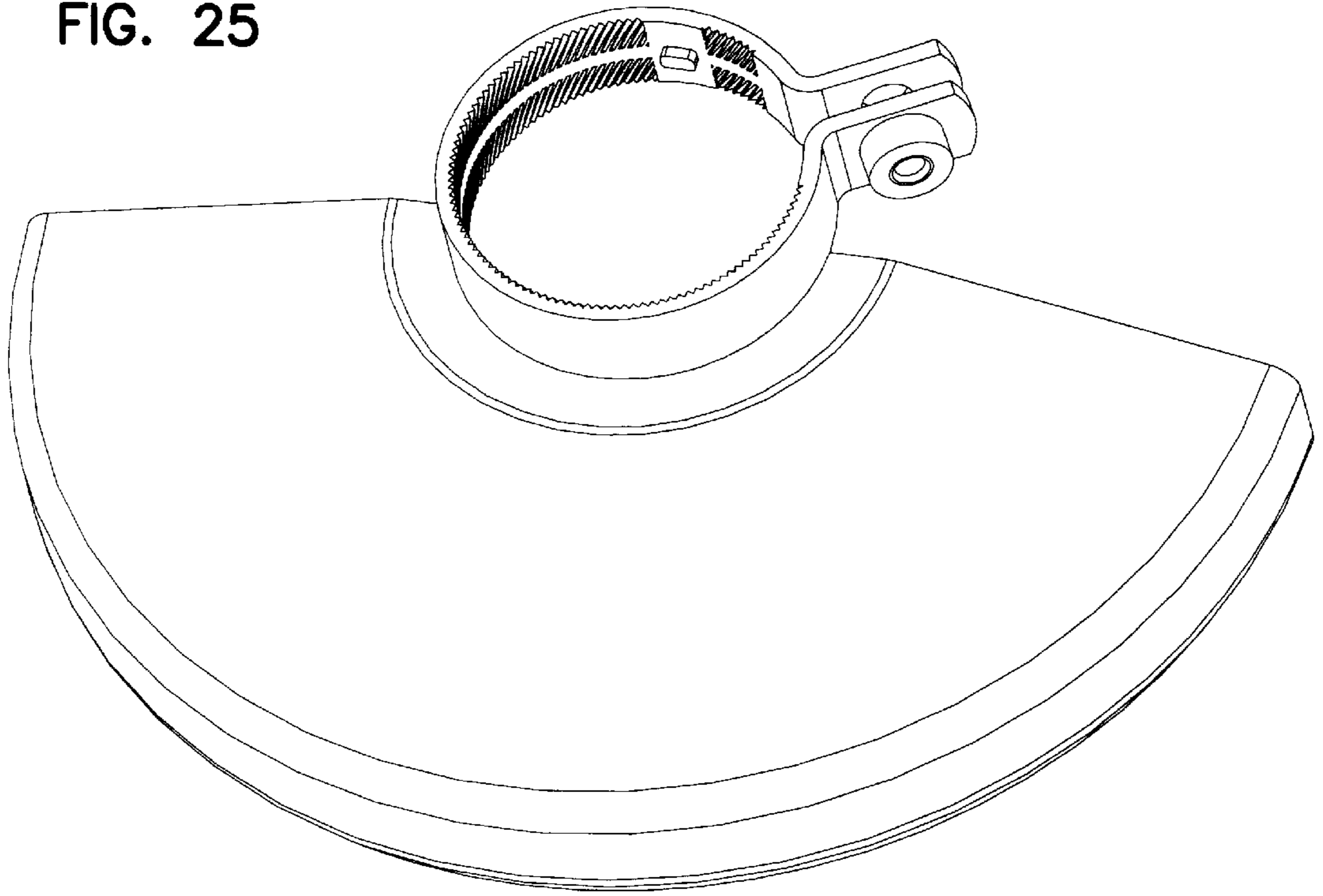


FIG. 26

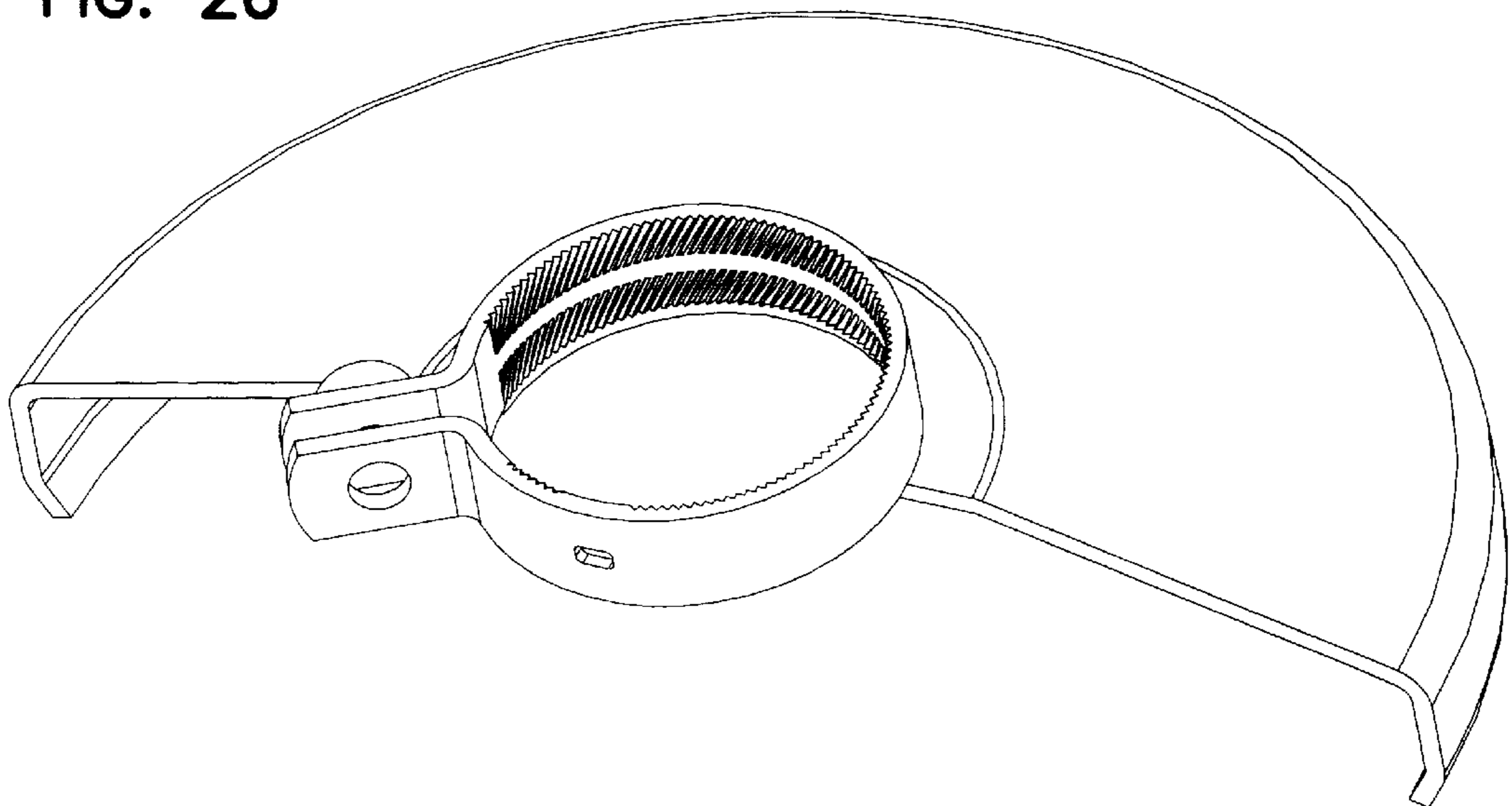


FIG. 27

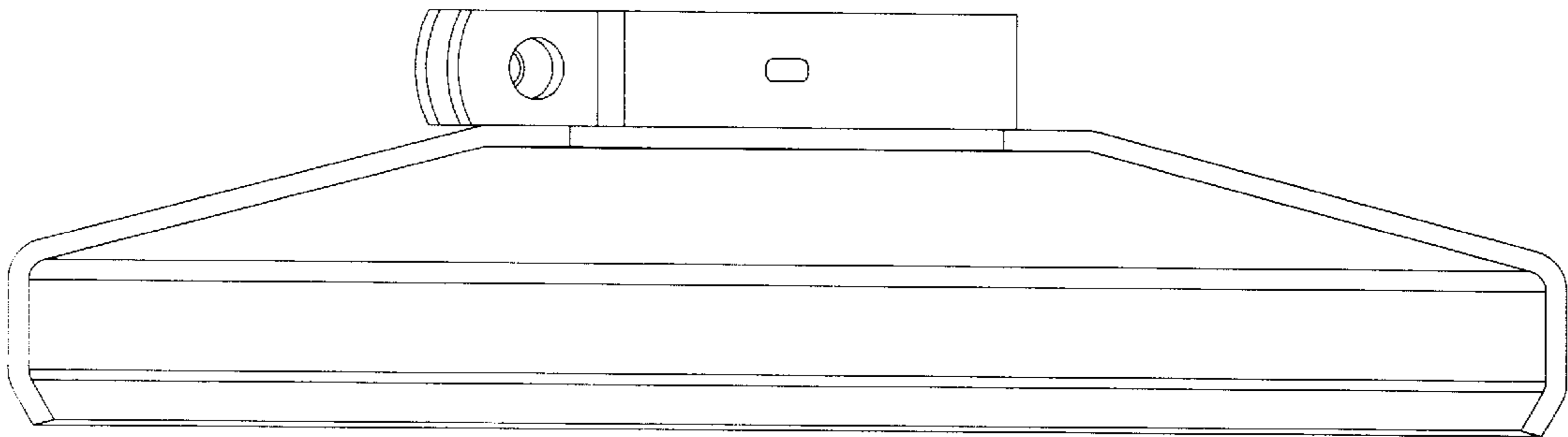


FIG. 28

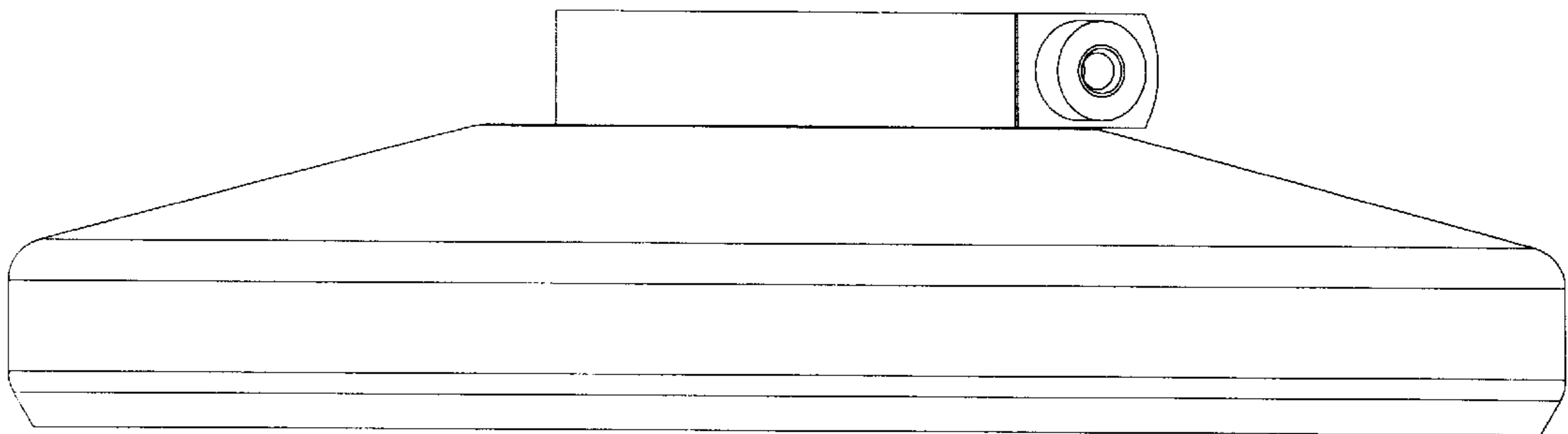




FIG. 30

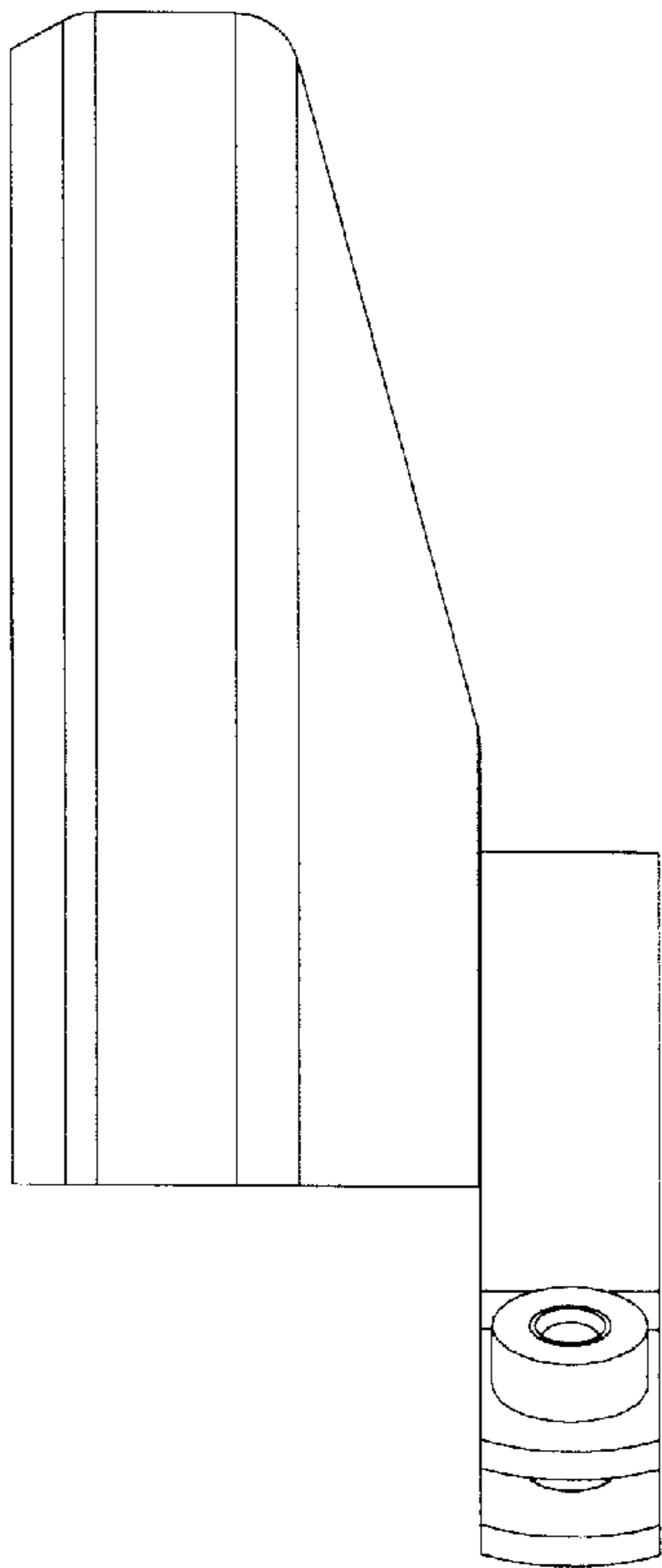


FIG. 29

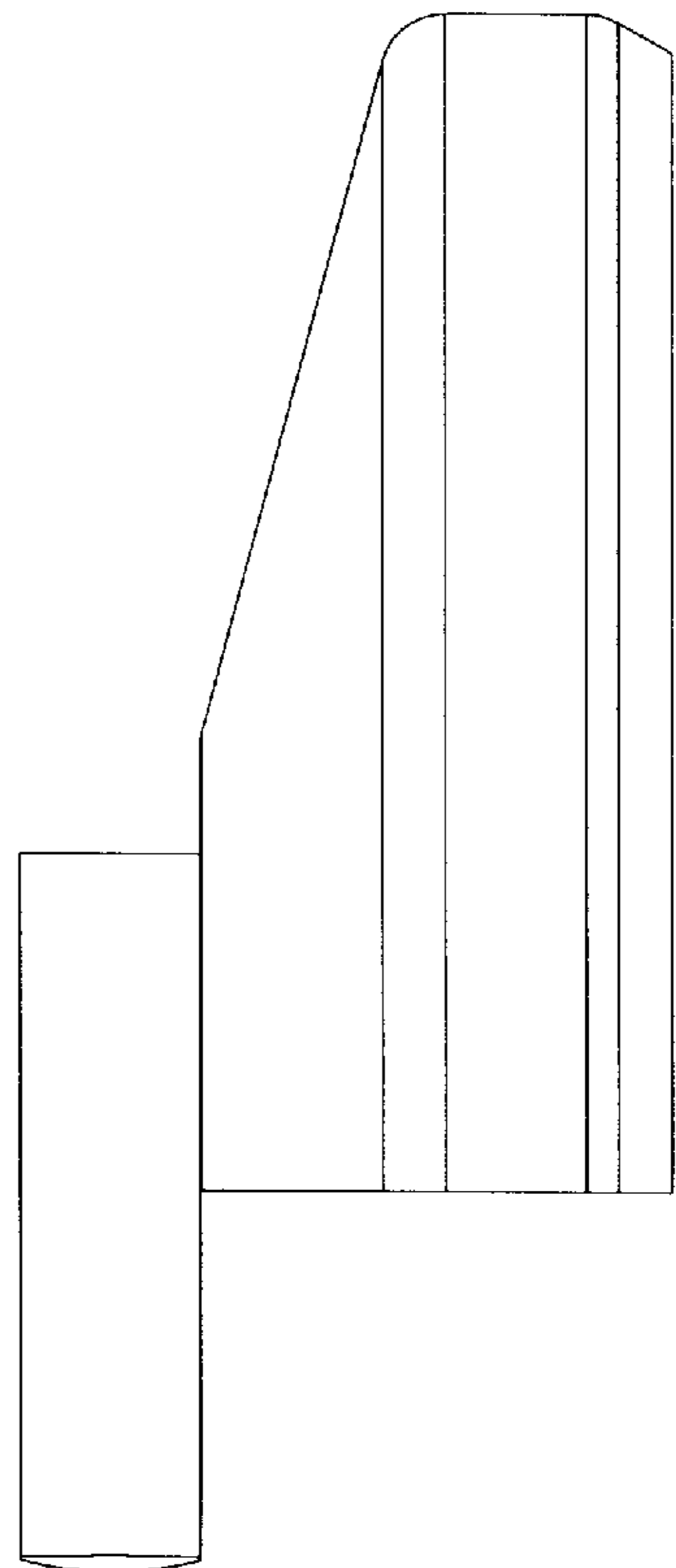


FIG. 31

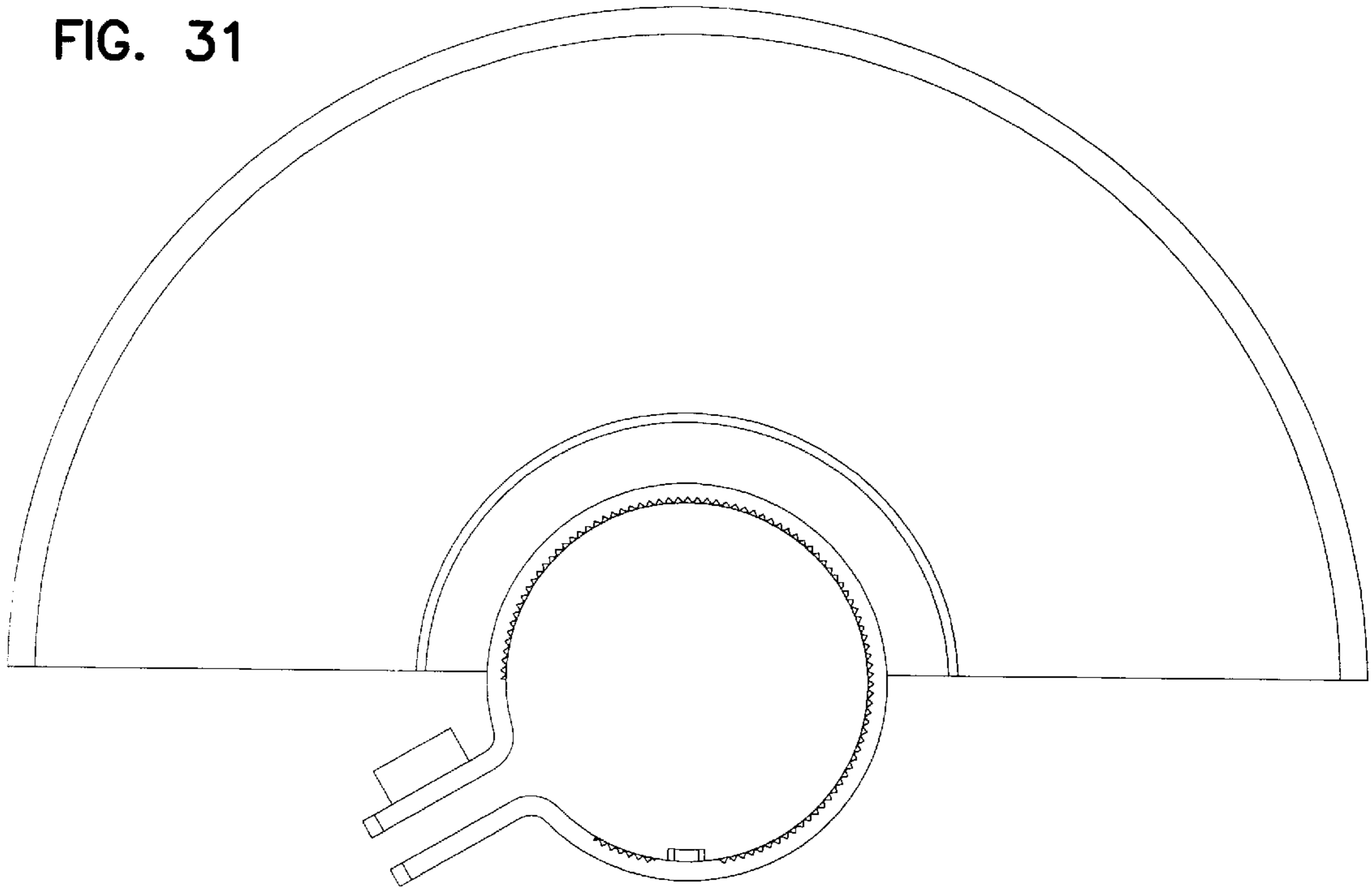


FIG. 32

