



US00D456684S

(12) **United States Design Patent**
Izumisawa

(10) **Patent No.:** **US D456,684 S**

(45) **Date of Patent:** **** May 7, 2002**

(54) **PORTABLE AIR SANDER**

(75) Inventor: **Nobuyuki Izumisawa, Tokyo (JP)**

(73) Assignee: **Kabushiki Kaisha Shinano Seisakusho, Tokyo (JP)**

(*) Notice: This patent is subject to a terminal disclaimer.

(**) Term: **14 Years**

(21) Appl. No.: **29/129,070**

(22) Filed: **Sep. 6, 2000**

(30) **Foreign Application Priority Data**

Jul. 28, 2000 (JP) 2000-020714

(51) **LOC (7) Cl.** **08-01**

(52) **U.S. Cl.** **D8/62; D8/68**

(58) **Field of Search** D8/61-70; 81/57.11, 81/54, 57.42; 173/170, 169, 217, 216; 451/344, 350, 354, 356, 357; 227/130, 136

(56) **References Cited**

U.S. PATENT DOCUMENTS

D200,588 S	*	3/1965	Brown	D8/62
D202,640 S	*	10/1965	Brown	D8/62
D204,772 S	*	5/1966	Brown	D8/62
3,295,262 A	*	1/1967	Brown	451/344
D241,705 S	*	10/1976	Kotone	D8/68
4,310,056 A	*	1/1982	Olsson	173/169
D269,846 S	*	7/1983	Izumisawa	D8/62
D288,770 S	*	3/1987	Doman	D8/68
5,033,552 A	*	7/1991	Hu	173/217
D322,384 S	*	12/1991	Wan	D8/68

D324,801 S	*	3/1992	Caskey et al.	D8/68
D327,617 S	*	7/1992	Fisher	D8/61
5,406,752 A	*	4/1995	Neff	451/344
D357,849 S	*	5/1995	Izumisawa	D8/62
D358,314 S	*	5/1995	Izumisawa	D8/62
D358,315 S	*	5/1995	Raines	D8/64
D364,544 S	*	11/1995	Izumisawa	D8/62
D387,648 S	*	12/1997	Liao	D8/61
D405,334 S	*	2/1999	Sung	D8/62
5,975,218 A	*	11/1999	Liau	173/216
D430,995 S	*	9/2000	Izumisawa	D8/62

* cited by examiner

Primary Examiner—Jeffrey Asch

(74) *Attorney, Agent, or Firm*—Jordan and Hamburg LLP

(57) **CLAIM**

The ornamental design for a portable air sander, as shown.

DESCRIPTION

FIG. 1 is a perspective view from the upper front of a portable air sander showing my new design;
 FIG. 2 is a perspective view from the upper rear thereof;
 FIG. 3 is a front elevational view thereof;
 FIG. 4 is a right side elevational view thereof;
 FIG. 5 is a rear elevational view thereof;
 FIG. 6 is a left side elevational view thereof;
 FIG. 7 is a top plan view thereof;
 FIG. 8 is a bottom plan view thereof;
 FIG. 9 is a cross-sectional view, along line 9—9 in FIG. 7, from which the internal structure is omitted; and,
 FIG. 10 is a reference drawing showing the portable air sander with a sander disk and an air hose shown in broken lines showing an environmental association for illustrative purposes only and forming no part of the claimed design.

1 Claim, 5 Drawing Sheets

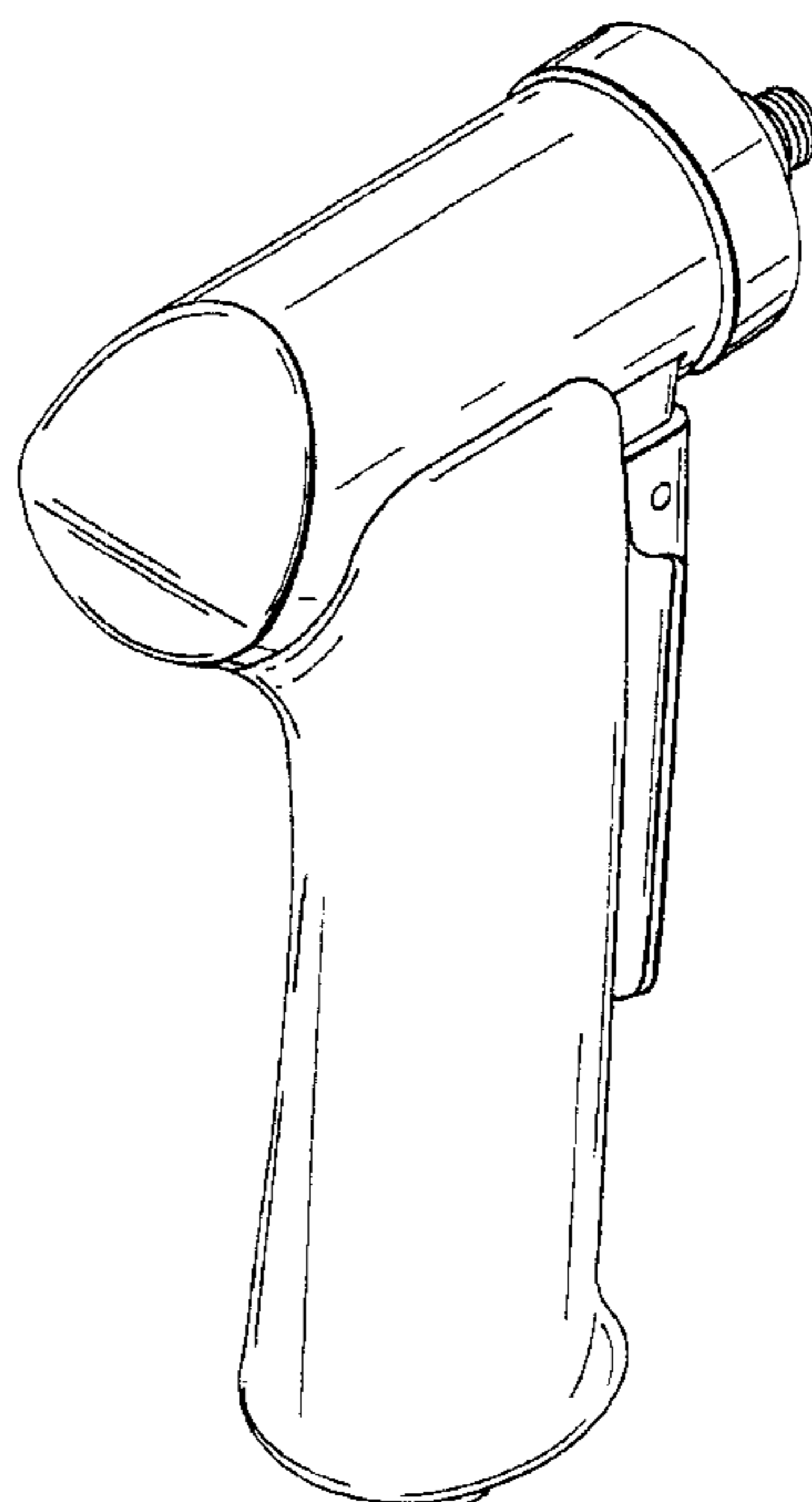
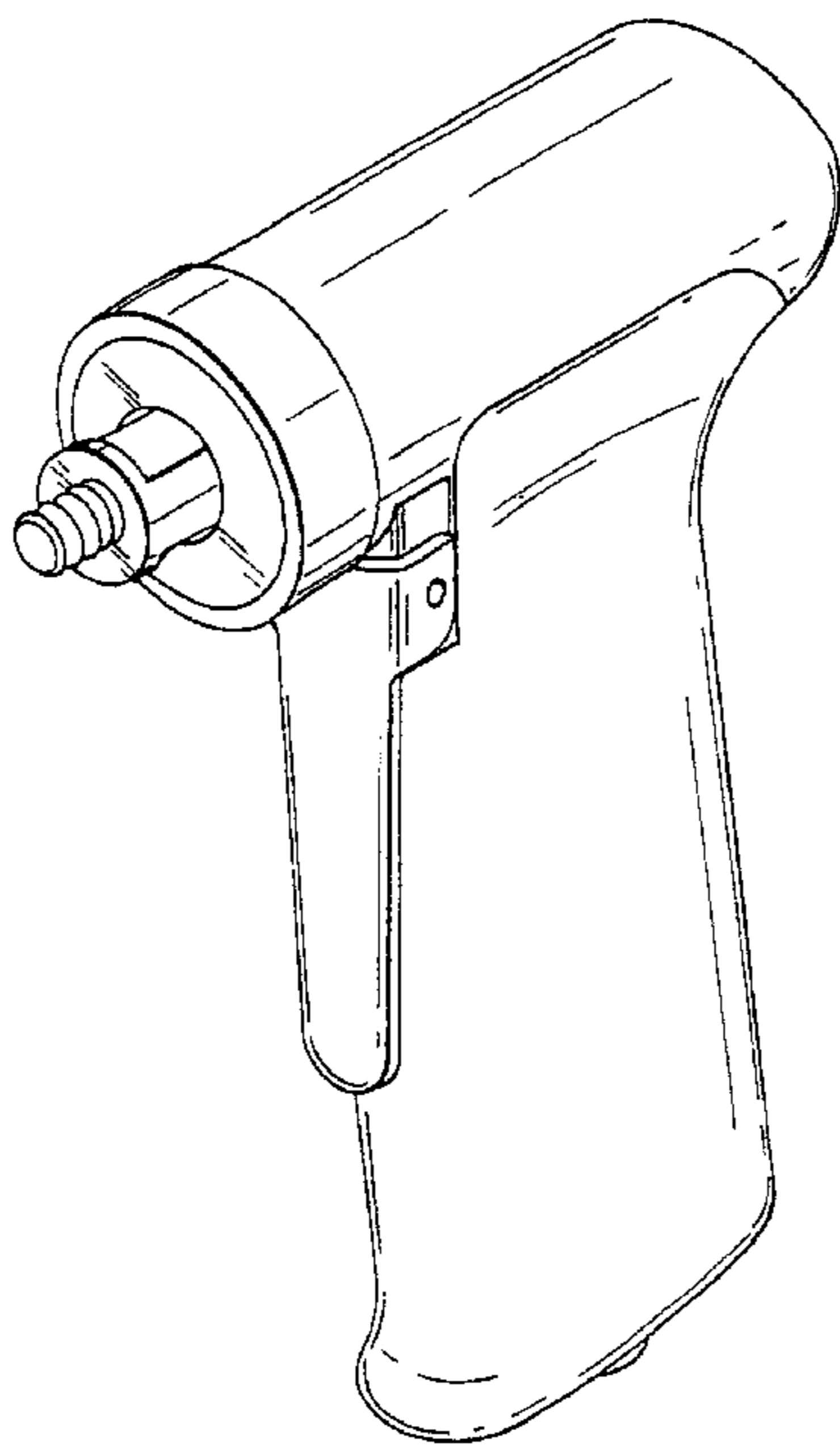


FIG. 1

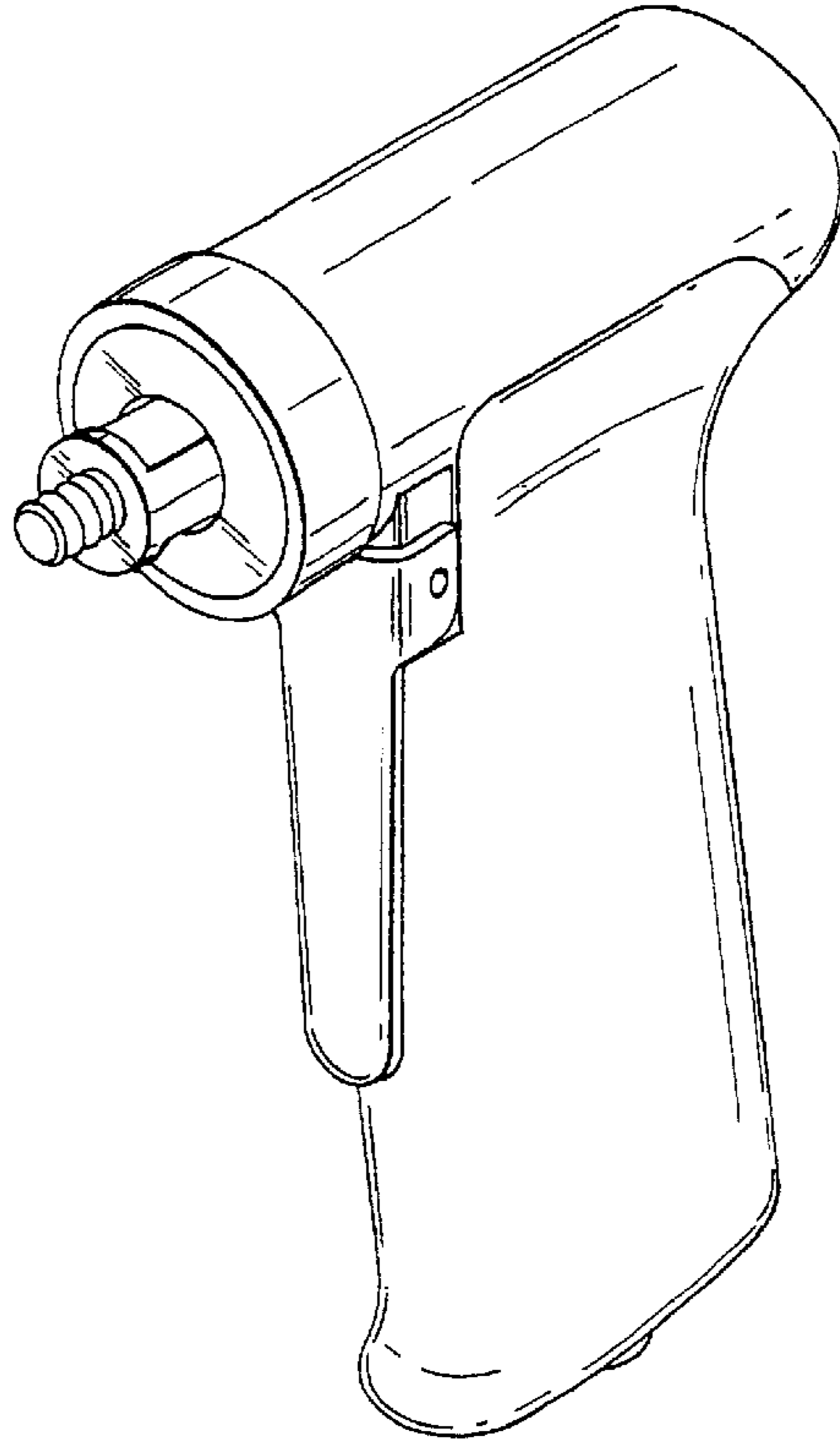


FIG. 2

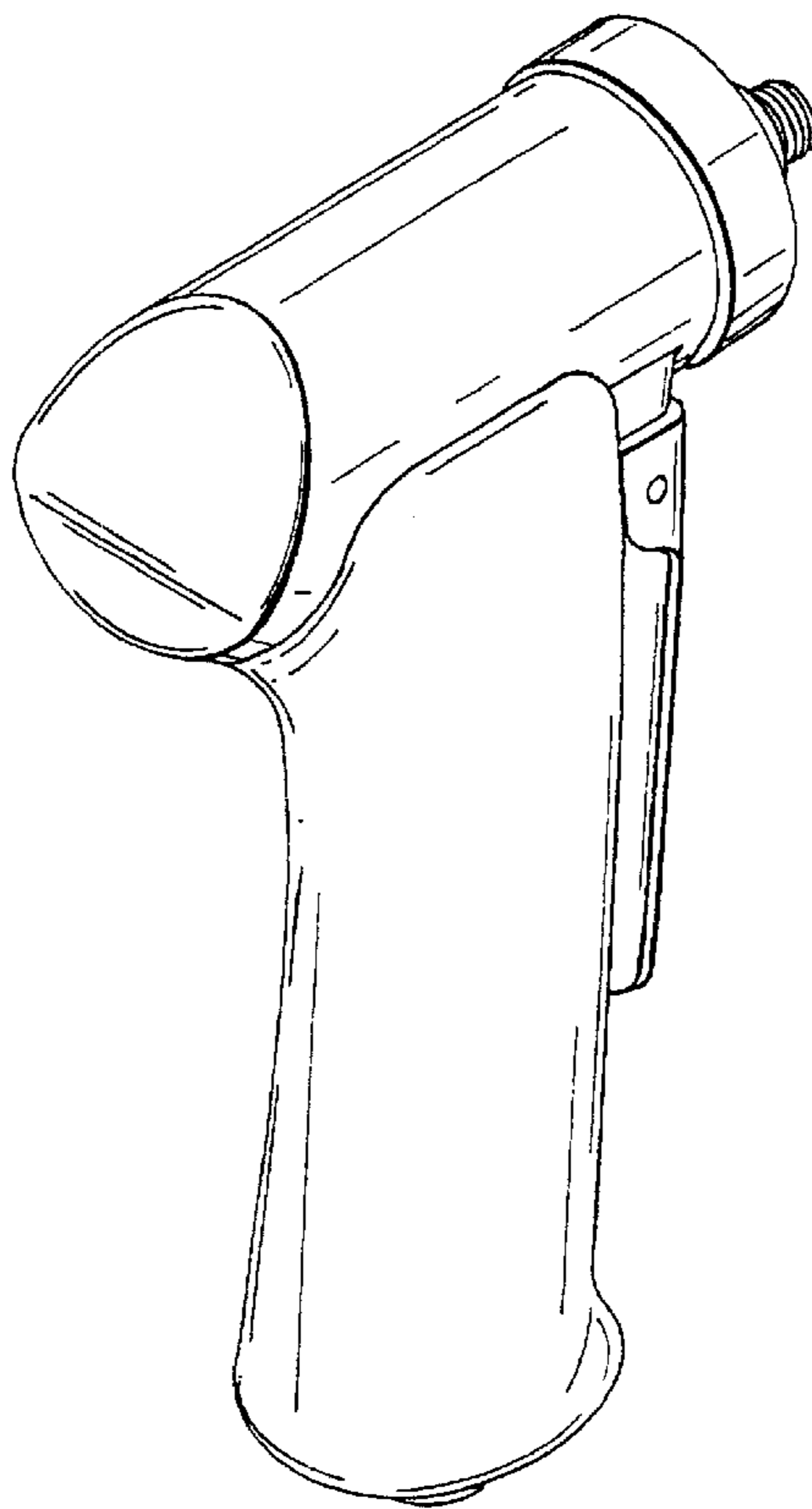


FIG. 3

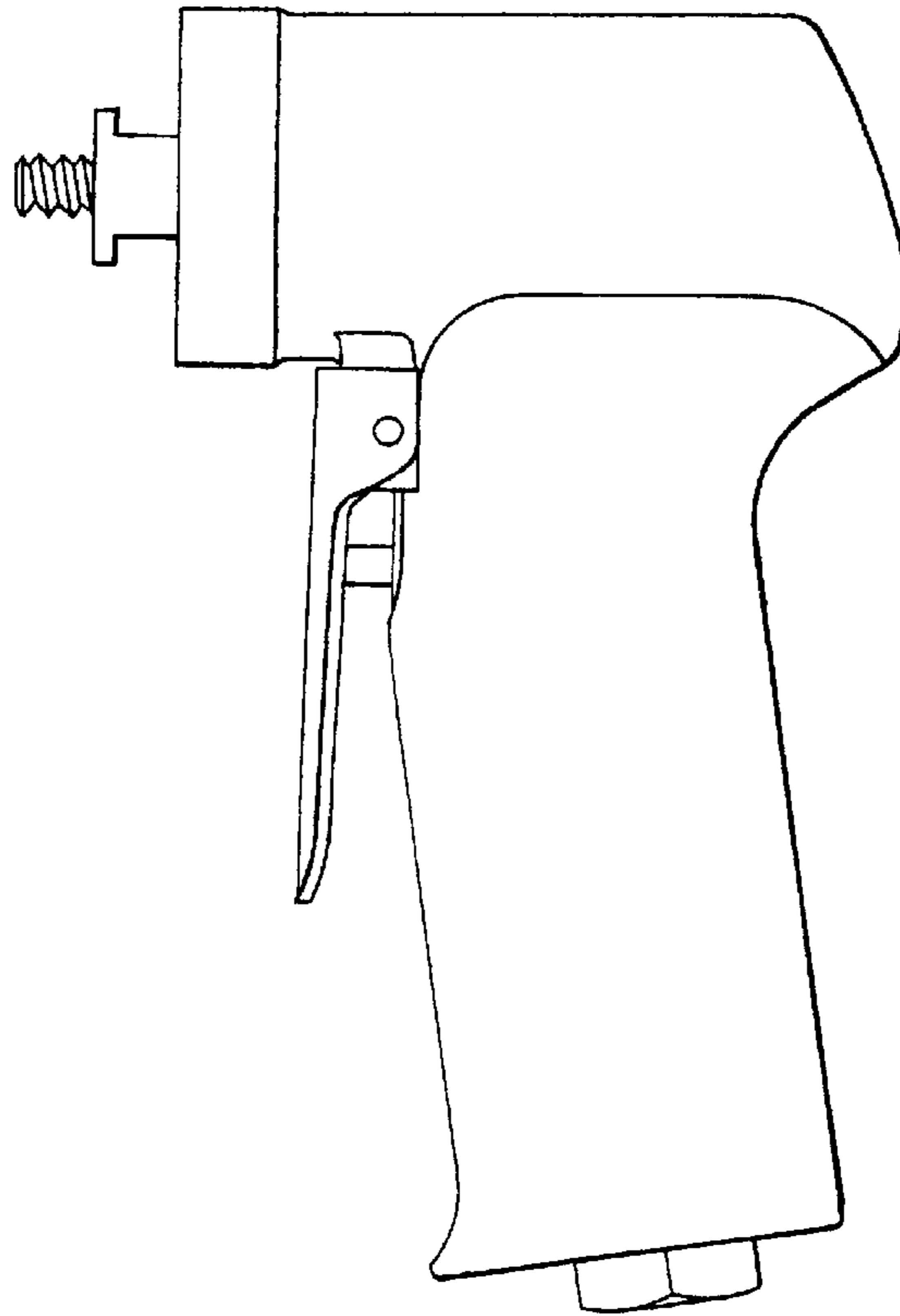


FIG. 4

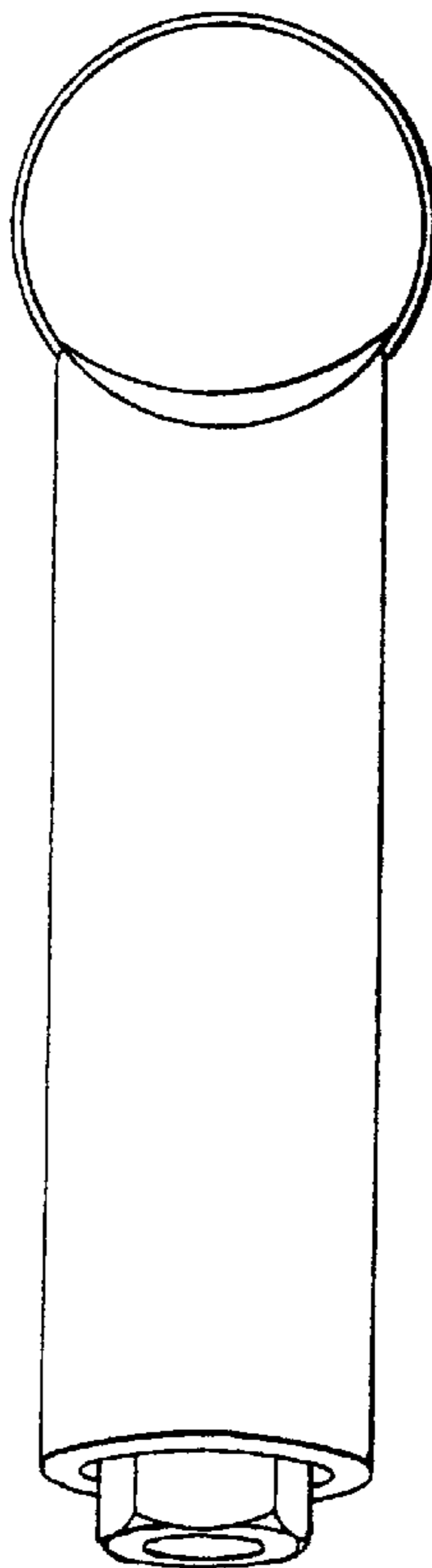


FIG. 5

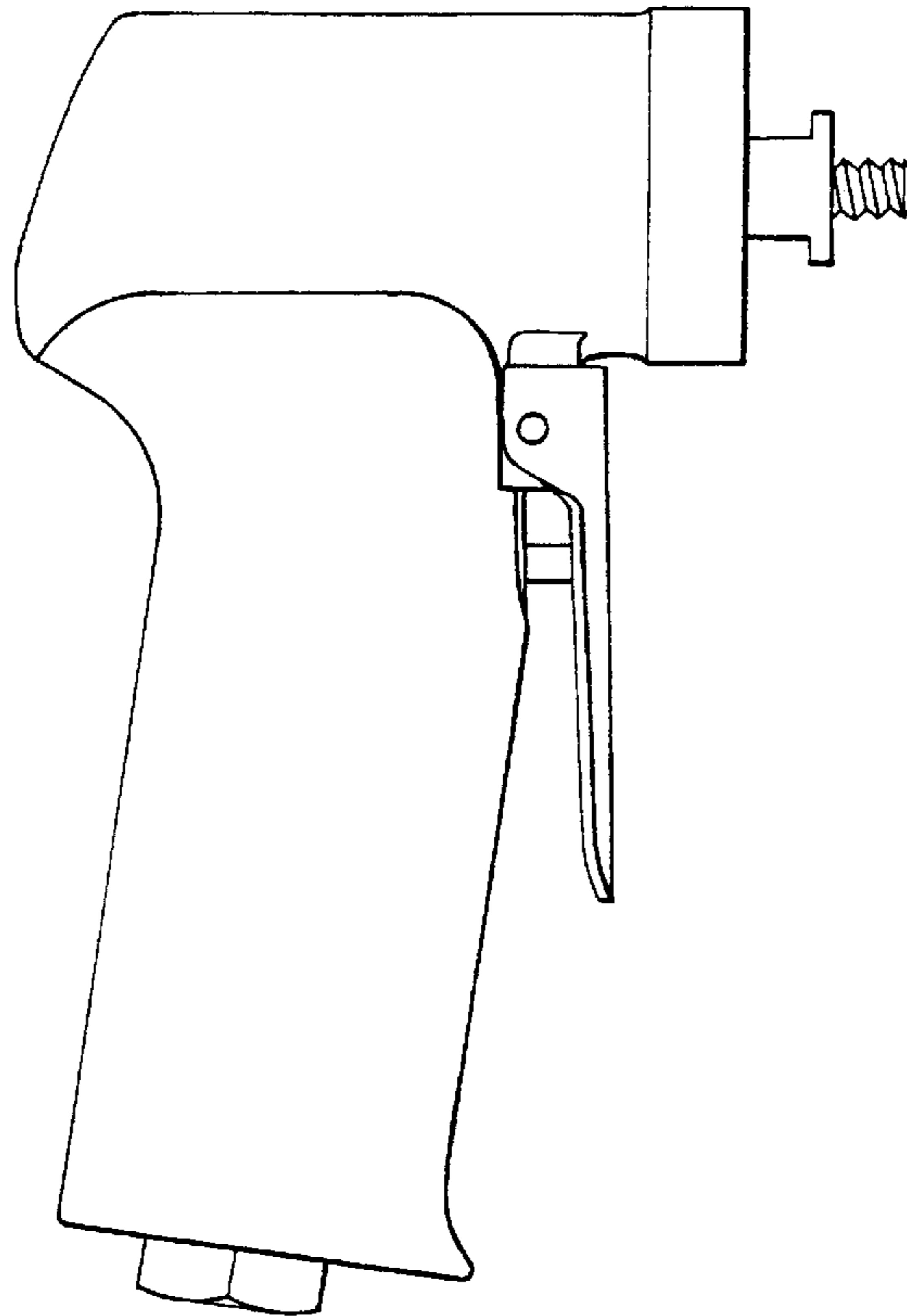


FIG. 6

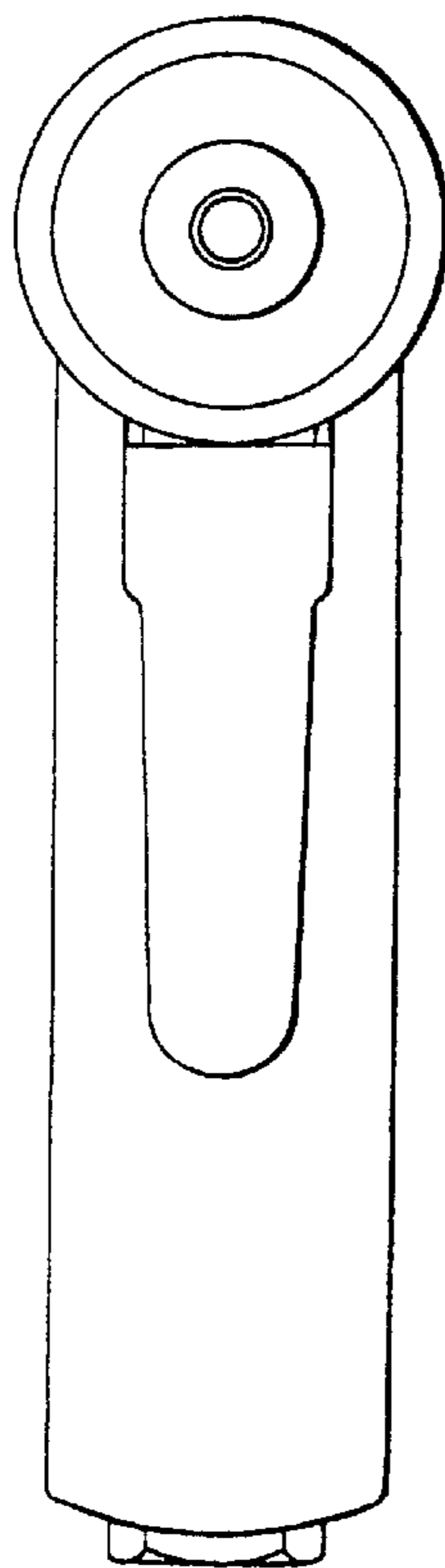


FIG. 7

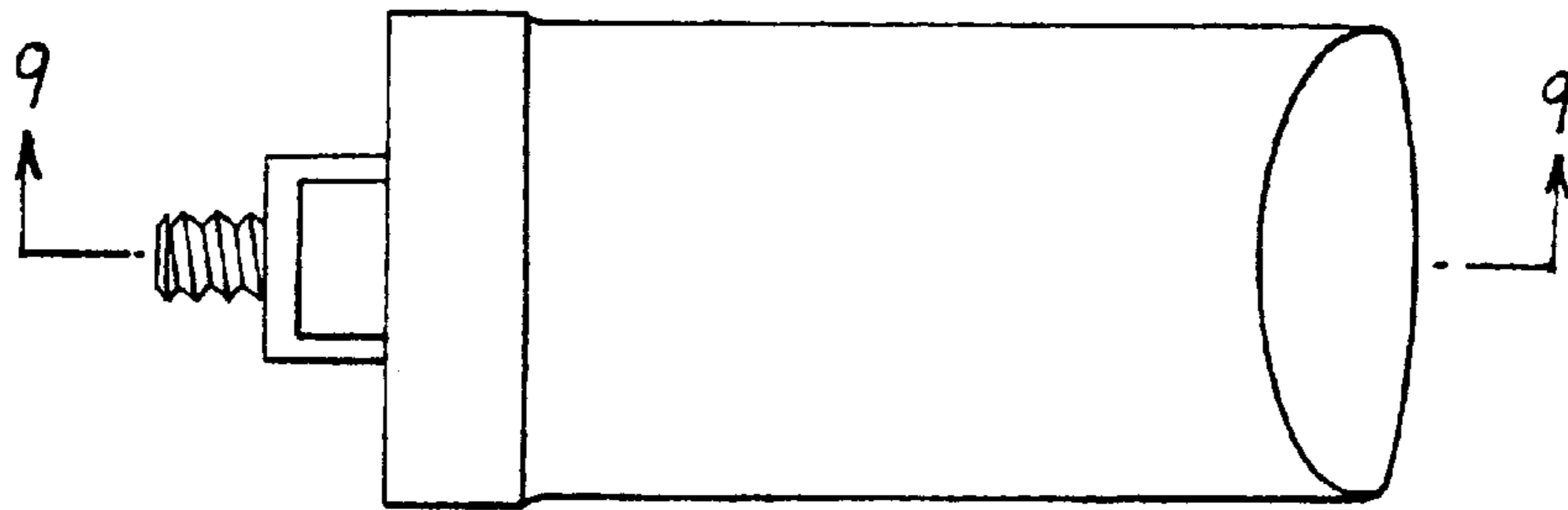


FIG. 8

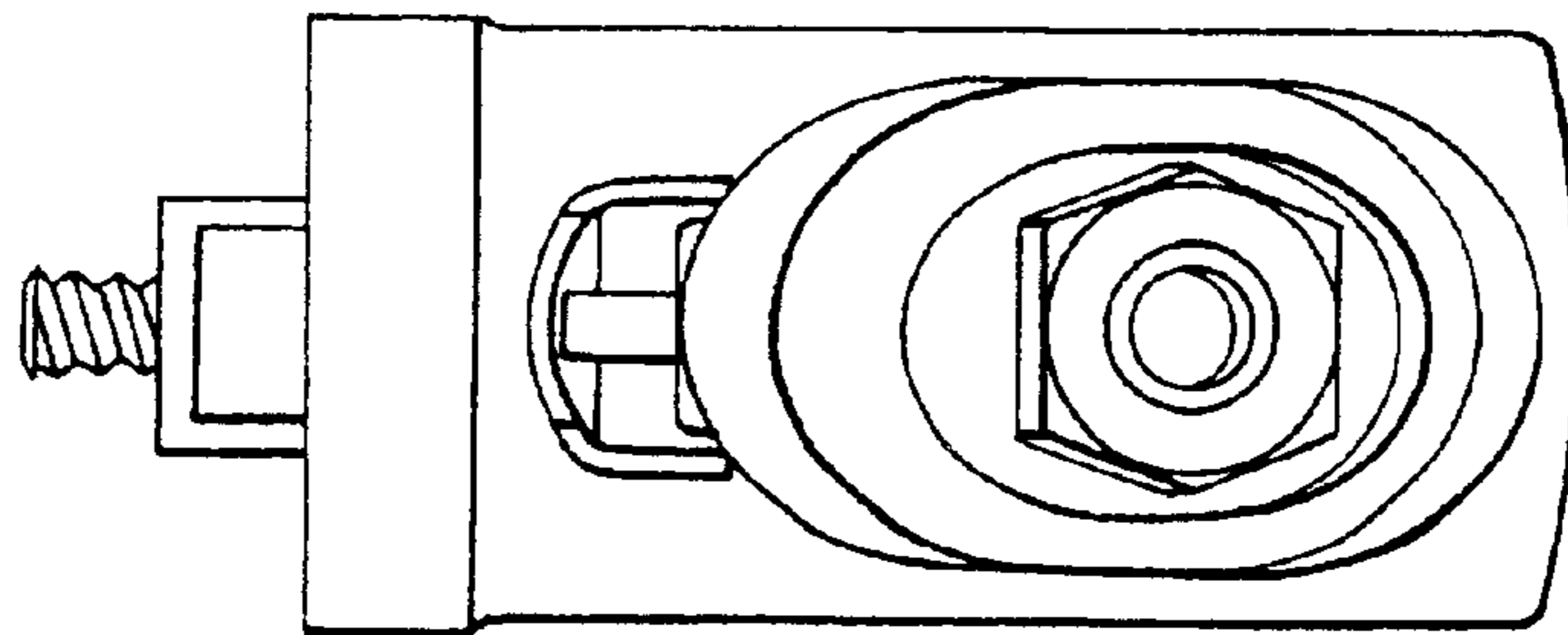


FIG. 9

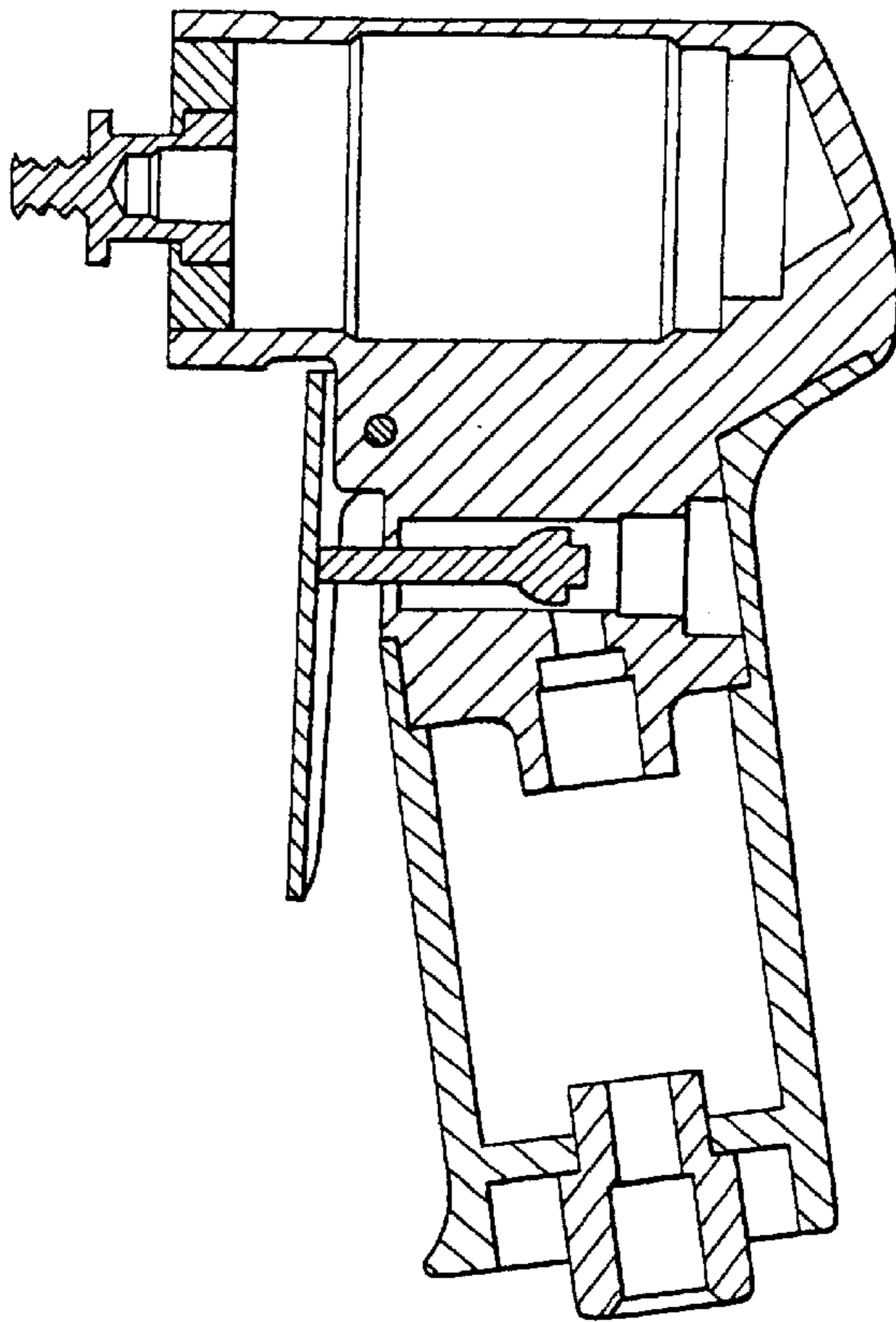


FIG. 10

