



US00D456681S

(12) **United States Design Patent**
Cheng

(10) **Patent No.:** **US D456,681 S**

(45) **Date of Patent:** **** May 7, 2002**

(54) **HOT AIR BLOWER**

(76) Inventor: **Chuan-Hsin Cheng**, 5F, No.637-1,
Sec.5, Chung-Hsin Road, San-Chung
City, Taipei Hsien (TW)

(**) Term: **14 Years**

(21) Appl. No.: **29/141,505**

(22) Filed: **May 7, 2001**

(51) **LOC (7) Cl.** **08-05**

(52) **U.S. Cl.** **D8/29.1**

(58) **Field of Search** D8/29.1, 29.2,
D8/30, 51; 392/383, 384, 385; 219/225,
227

(56) **References Cited**

U.S. PATENT DOCUMENTS

4,629,864 A	*	12/1986	Wilson	392/385
D293,020 S	*	12/1987	Steinel et al.	D8/29.1
D296,070 S	*	6/1988	Cunningham	D8/29.1
D297,397 S	*	8/1988	Pagani	D8/29.1
D297,398 S	*	8/1988	Pagani	D8/29.1
D322,742 S	*	12/1991	Spratt	D8/29.1
D334,876 S	*	4/1993	Swedish	D8/29.1

D388,297 S * 12/1997 Bittenbender D8/29.1
D388,298 S * 12/1997 Jerdee et al. D8/29.1

* cited by examiner

Primary Examiner—Philip S. Hyder
(74) *Attorney, Agent, or Firm*—Pro-Techtor International
Services

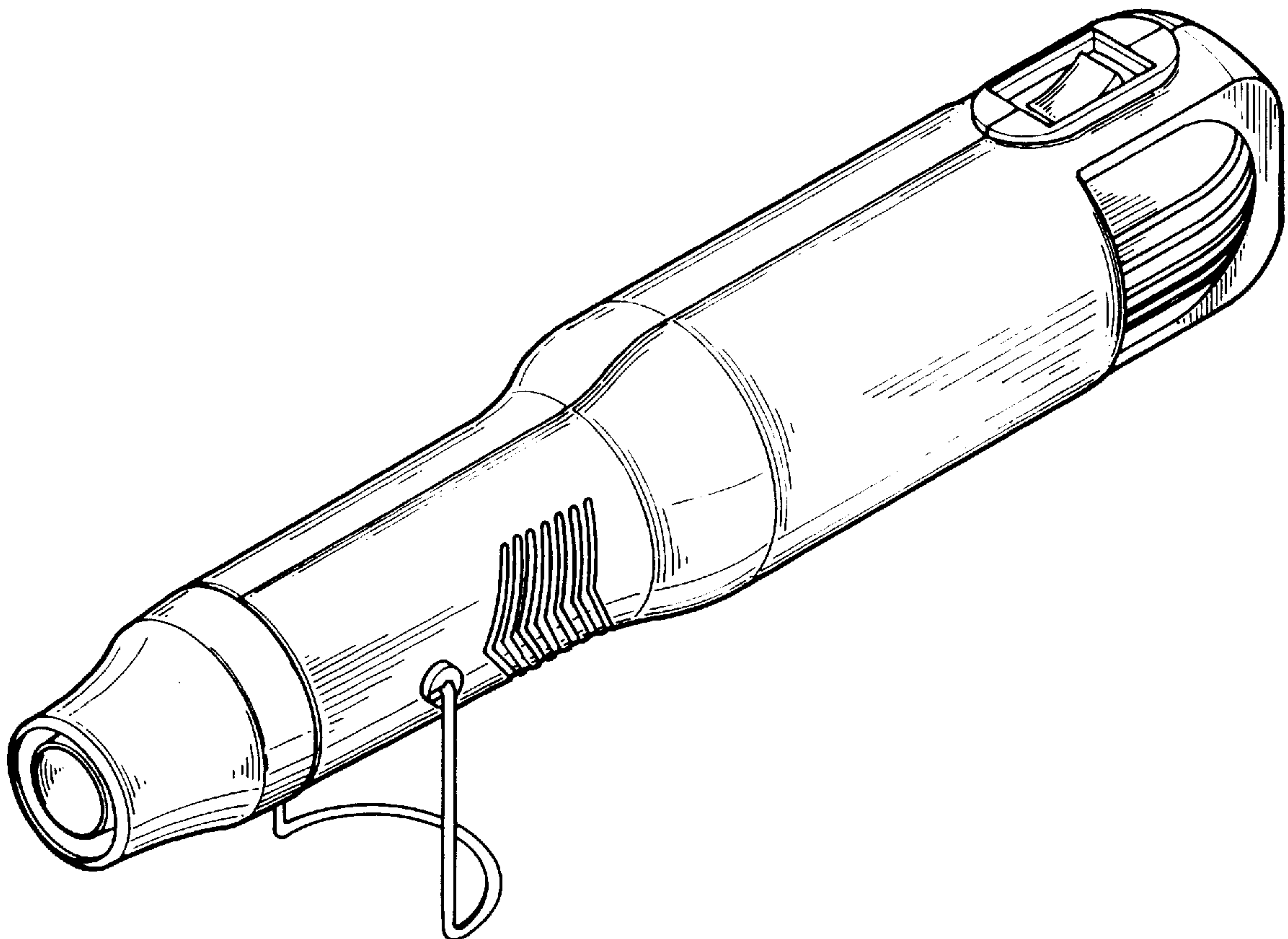
(57) **CLAIM**

The ornamental design for a hot air blower, as shown and described.

DESCRIPTION

FIG. 1. is the front elevational view thereof.
FIG. 2. is the rear elevational view thereof.
FIG. 3. is the left side elevational view thereof.
FIG. 4. is the right side elevational view thereof.
FIG. 5. is the top plan view thereof.
FIG. 6. is the bottom plan view thereof.
FIG. 7. is a perspective view of a hot air blower according to my new Design; and,
FIG. 8 is a perspective view thereof, with the stand in an extended position.

1 Claim, 5 Drawing Sheets



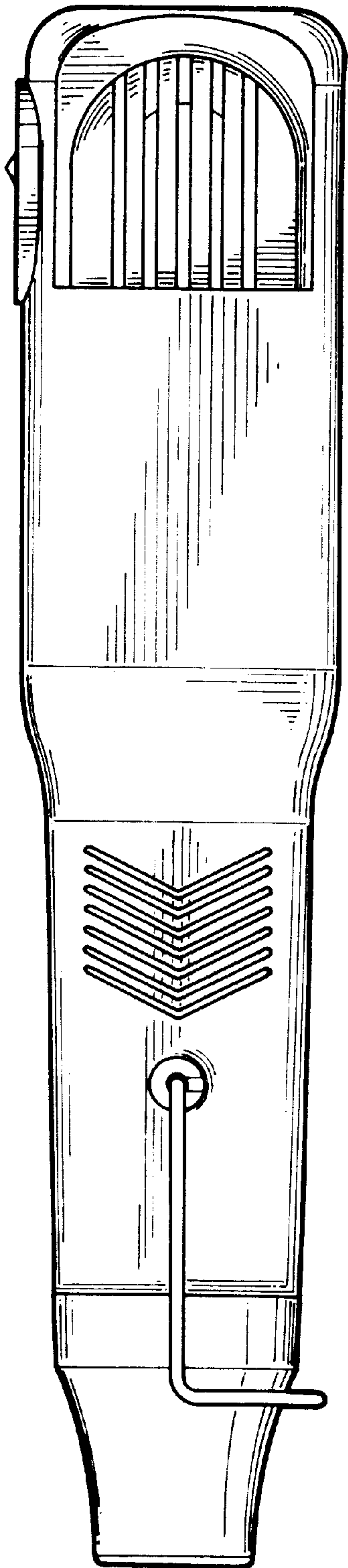


FIG. 1

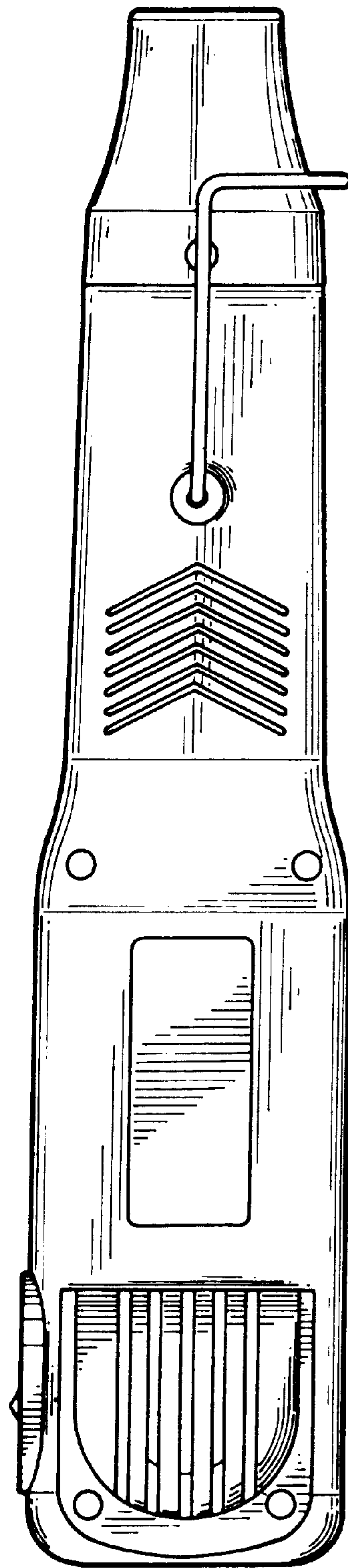


FIG. 2

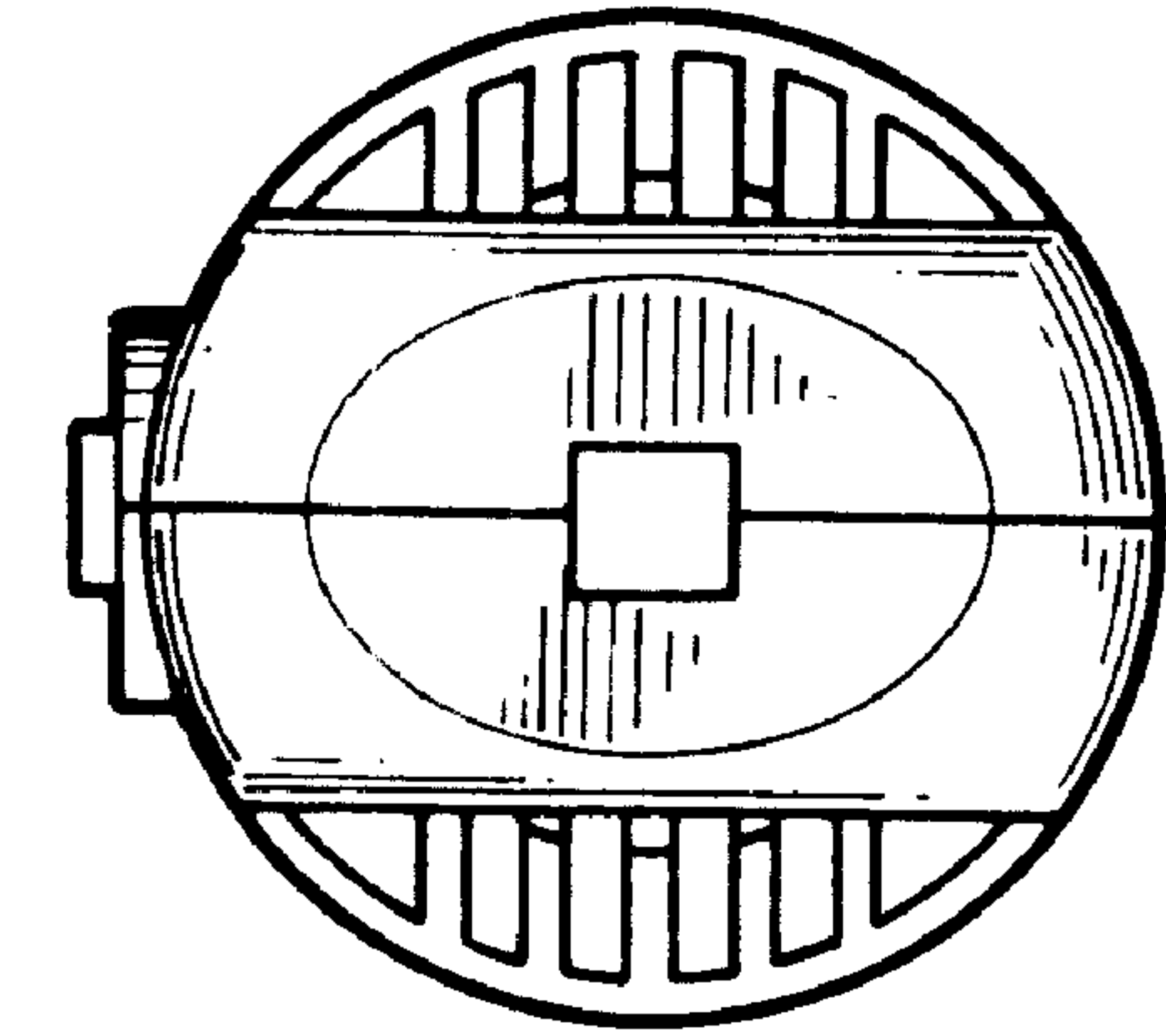


FIG.4

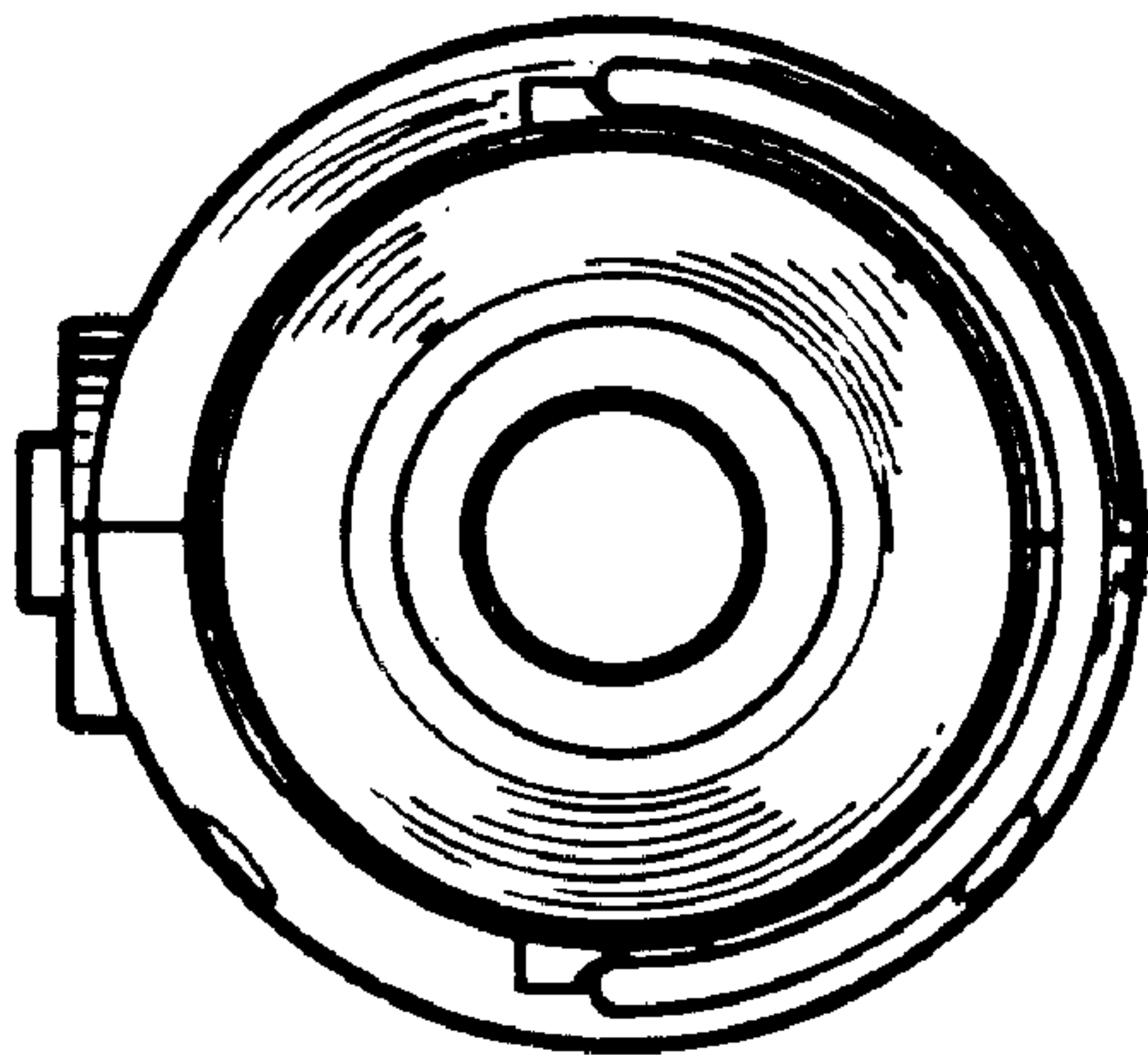


FIG.3

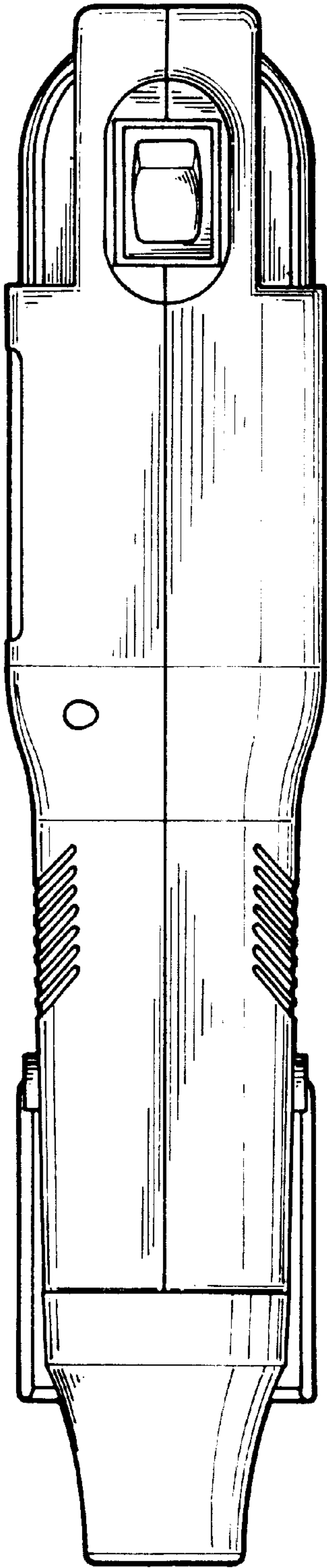


FIG. 5

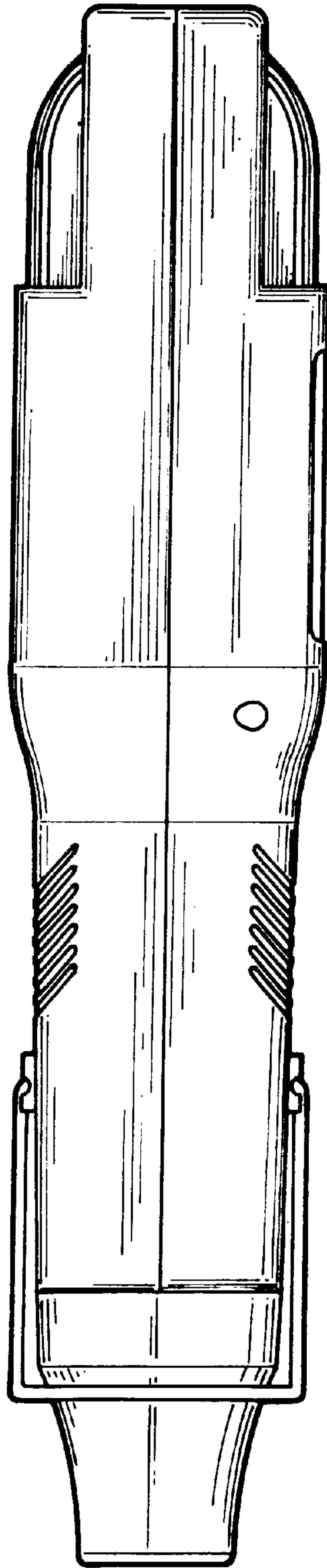


FIG. 6

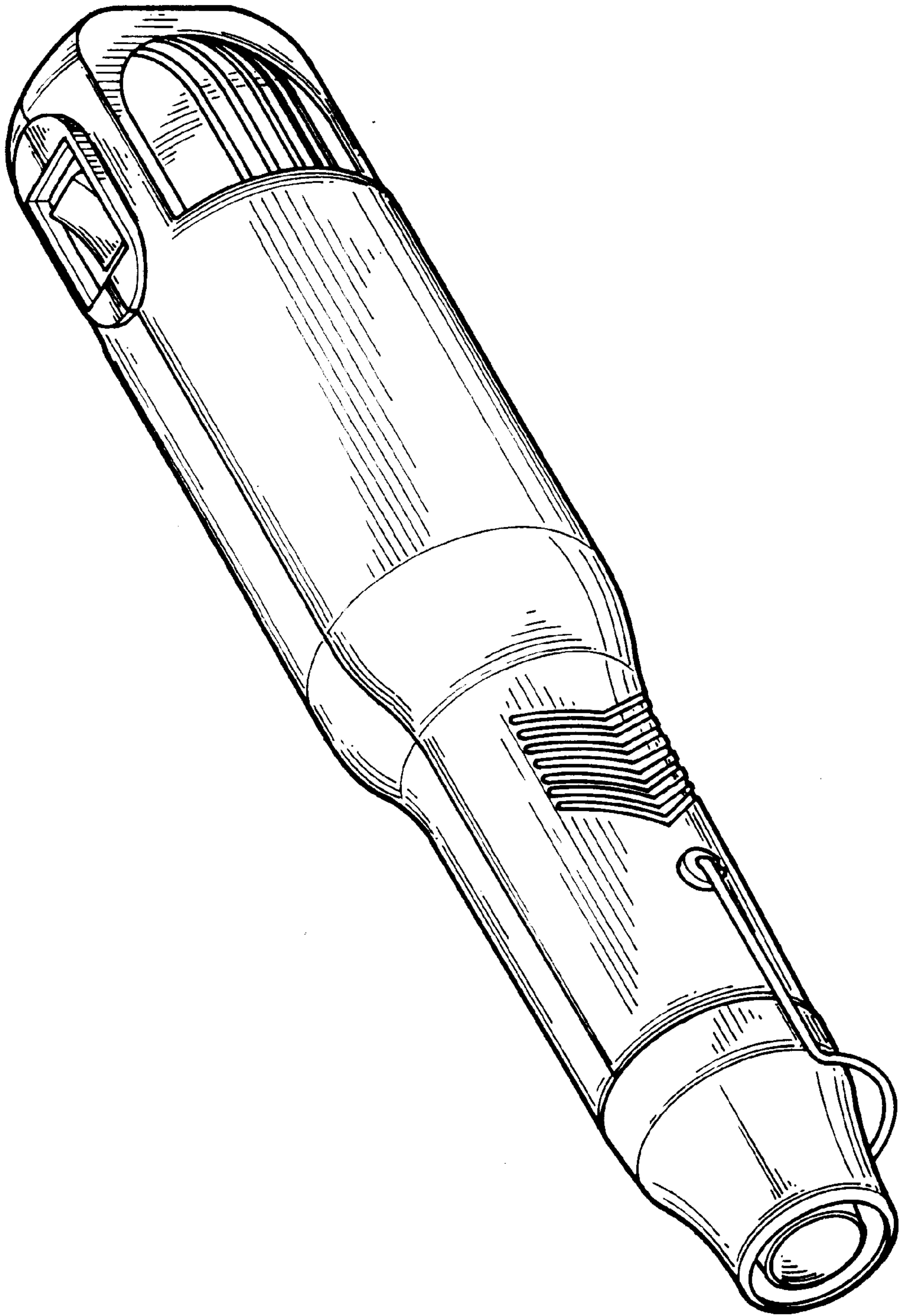


FIG.7

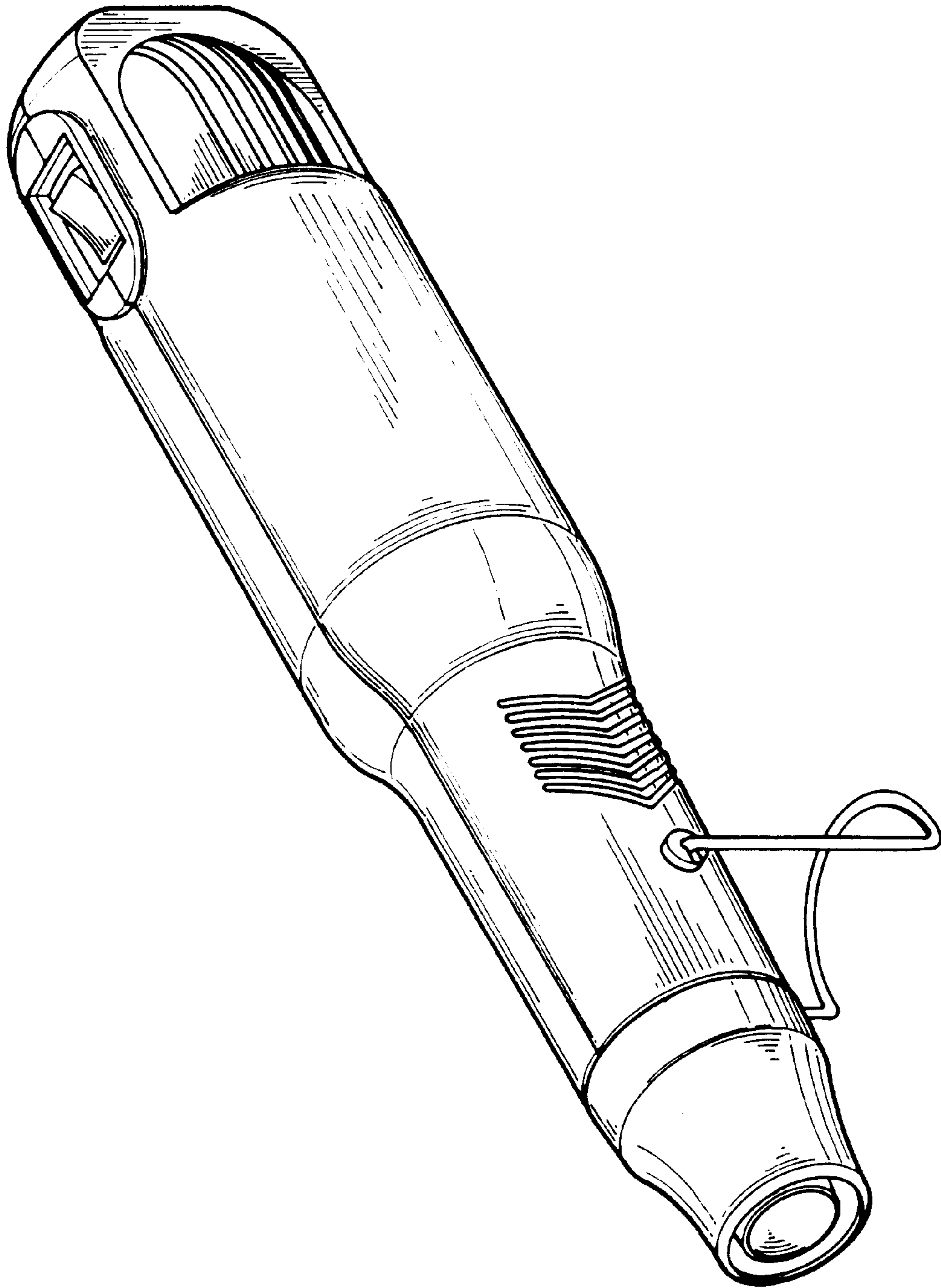


FIG. 8