



US00D456678S

(12) **United States Design Patent**
Karten et al.

(10) **Patent No.:** **US D456,678 S**

(45) **Date of Patent:** **** May 7, 2002**

(54) **PORTABLE WELDER**

(75) Inventors: **Stuart A. Karten**, Venice; **Michael J. Rocha**, Los Angeles; **Dennis L. Schroeder**, Hermosa Beach; **Paul T. Kirley**; **Simon A. Sollberger**, both of Venice, all of CA (US)

(73) Assignee: **Broco, Inc.**, Rancho Cucamonga, CA (US)

(**) Term: **14 Years**

(21) Appl. No.: **29/140,797**

(22) Filed: **Apr. 24, 2001**

(51) **LOC (7) Cl.** **08-05**

(52) **U.S. Cl.** **D8/29.1; D8/30**

(58) **Field of Search** D8/29.1, 29.2, D8/30; 451/127, 128; 219/137.7, 137.31, 137.41, 137.44; D28/13

(56) **References Cited**

U.S. PATENT DOCUMENTS

D302,098 S * 7/1989 Yoshinaga D8/30
4,954,690 A * 9/1990 Kensrue 219/137.31
D329,179 S * 9/1992 Kensrue D8/30

D376,302 S * 12/1996 Tsai D8/29.1
D406,737 S * 3/1999 Farnham D8/29.1
6,064,036 A * 5/2000 Kensrue 219/137.2
6,335,599 B1 * 5/2001 Alekruse 219/137.31

* cited by examiner

Primary Examiner—Philip S. Hyder

(74) *Attorney, Agent, or Firm*—Sheppard, Mullin, Richter & Hampton LLP; James R. Brueggemann

(57) **CLAIM**

We claim the ornamental design for a portable welder, as shown.

DESCRIPTION

FIG. 1 is a front, left perspective view of a portable welder embodying our new design.

FIG. 2 is a rear, left perspective view thereof.

FIG. 3 is a left-side elevational view thereof.

FIG. 4 is a right side elevational view thereof.

FIG. 5 is a top plan view thereof.

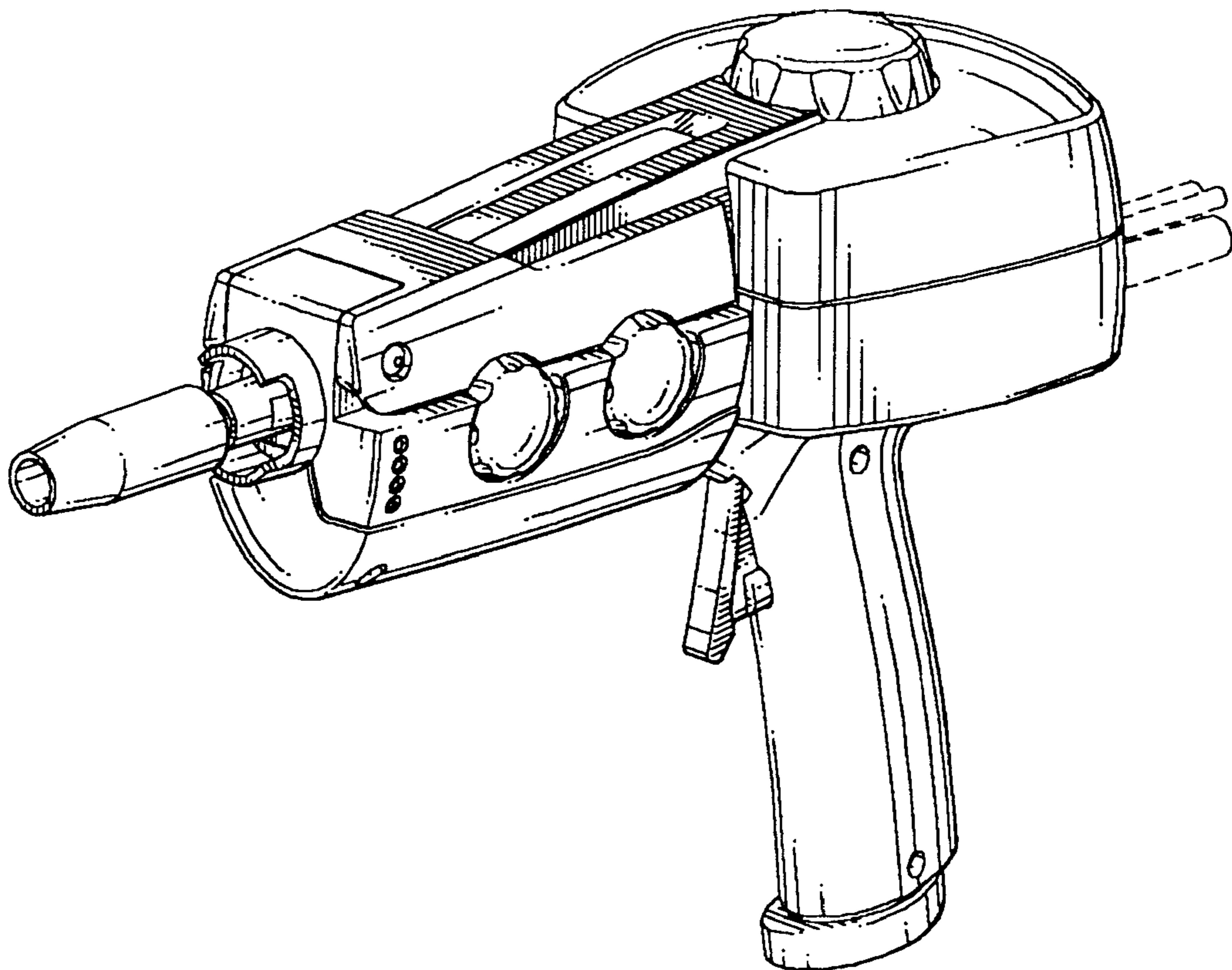
FIG. 6 is a bottom plan view thereof.

FIG. 7 is a front elevational view thereof; and,

FIG. 8 is a rear elevational view thereof.

The broken line portions of the disclosure are for illustrative purposes only and form no part of the claimed design.

1 Claim, 6 Drawing Sheets



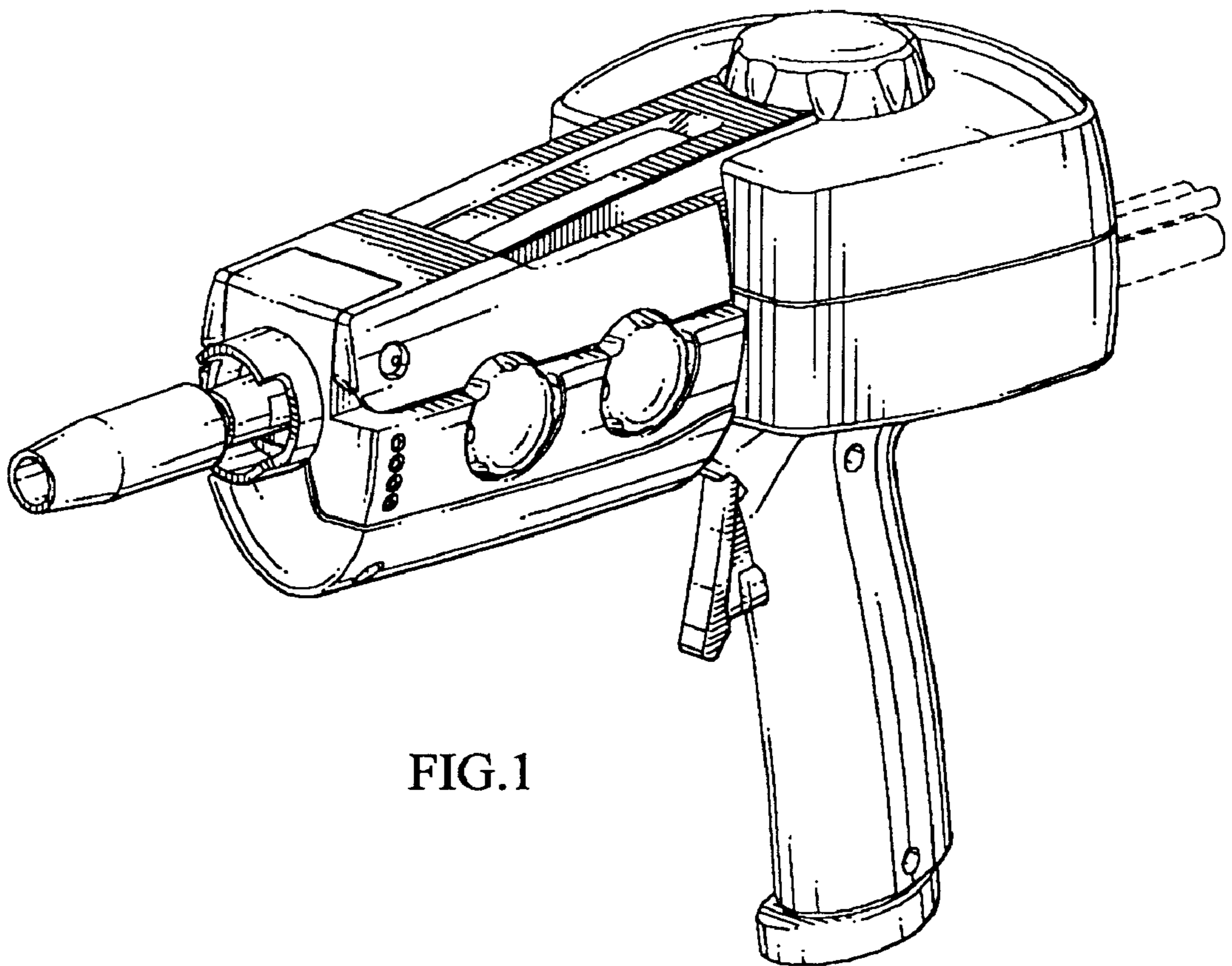


FIG.1

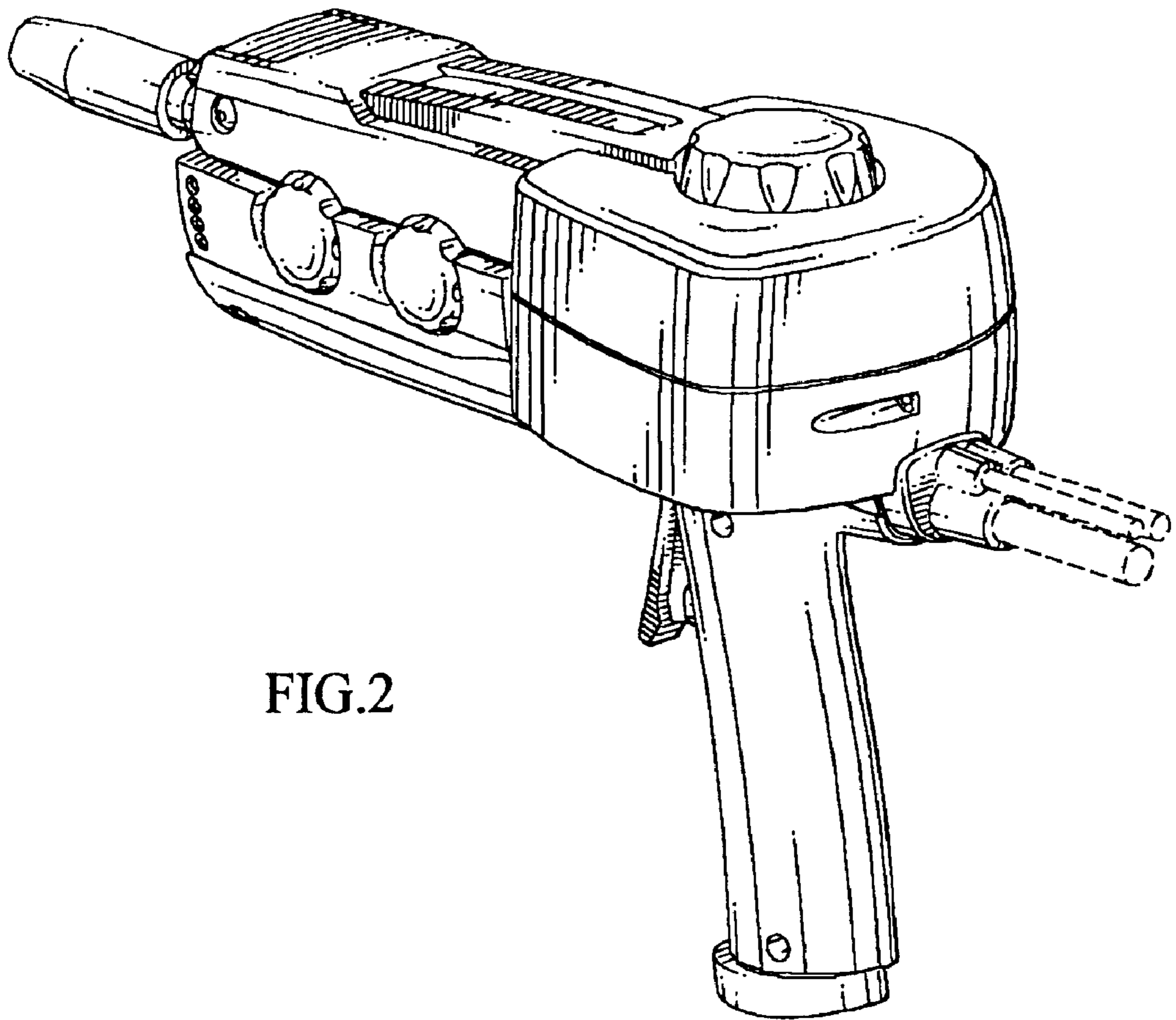


FIG.2

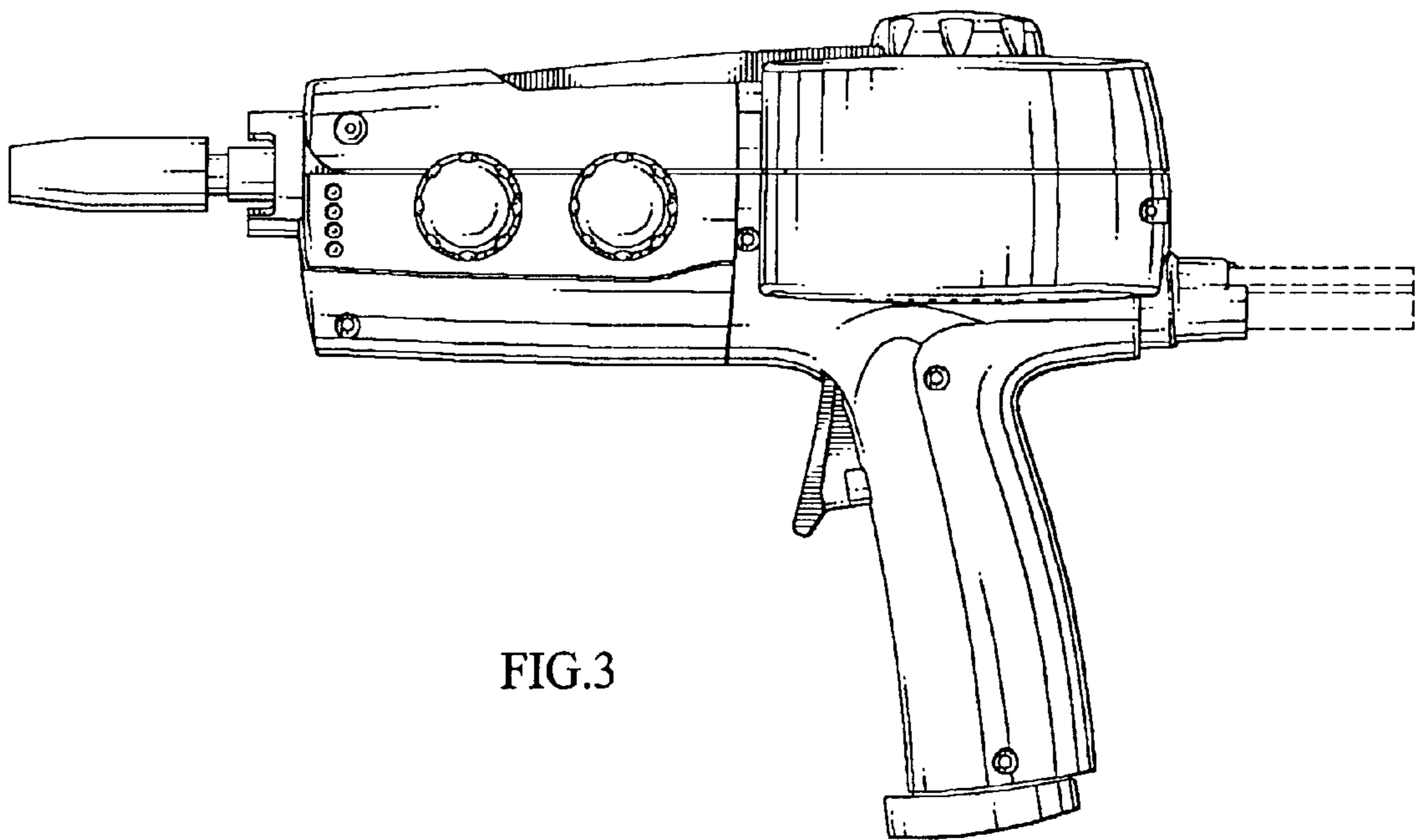


FIG.3

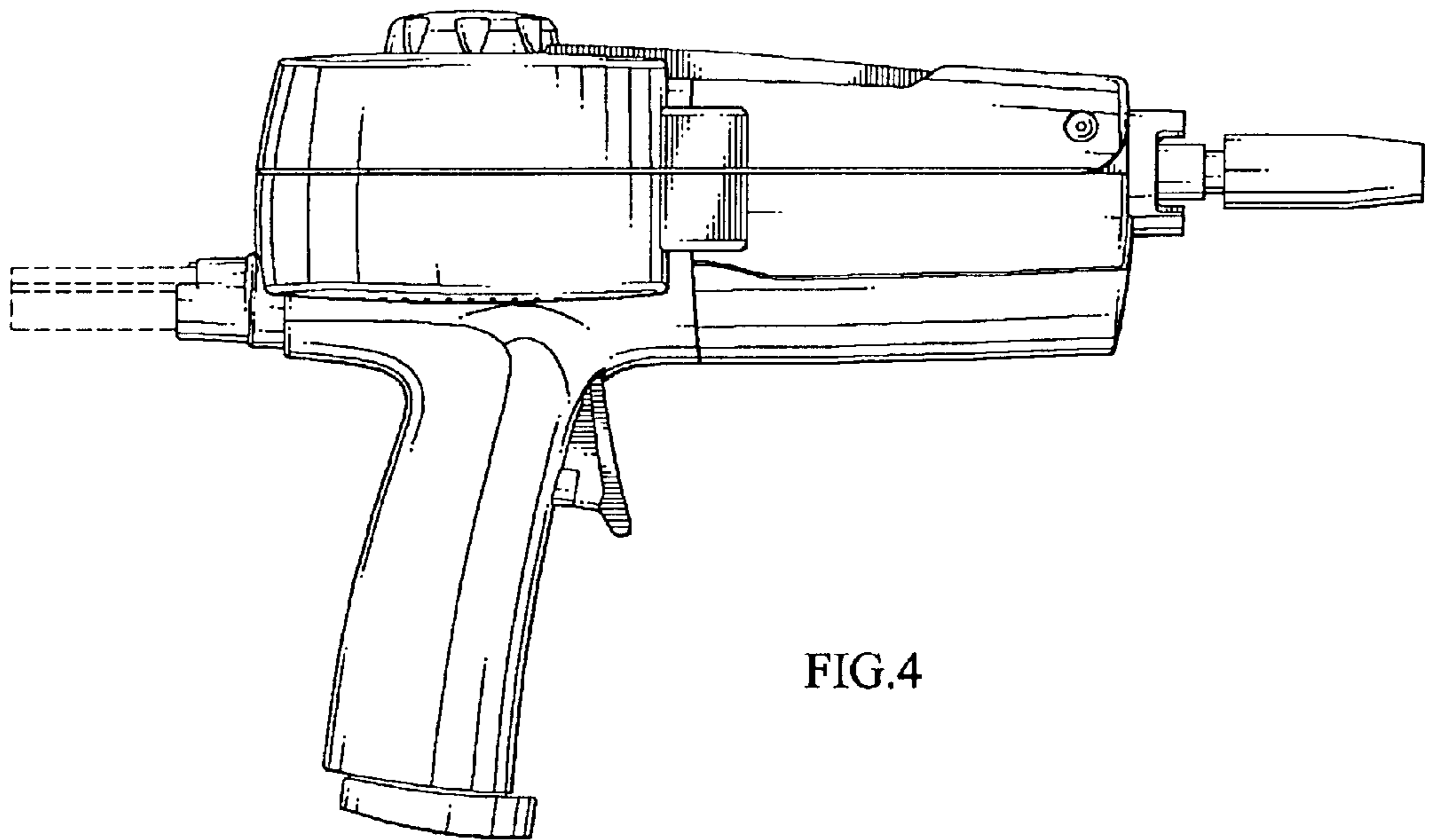


FIG.4

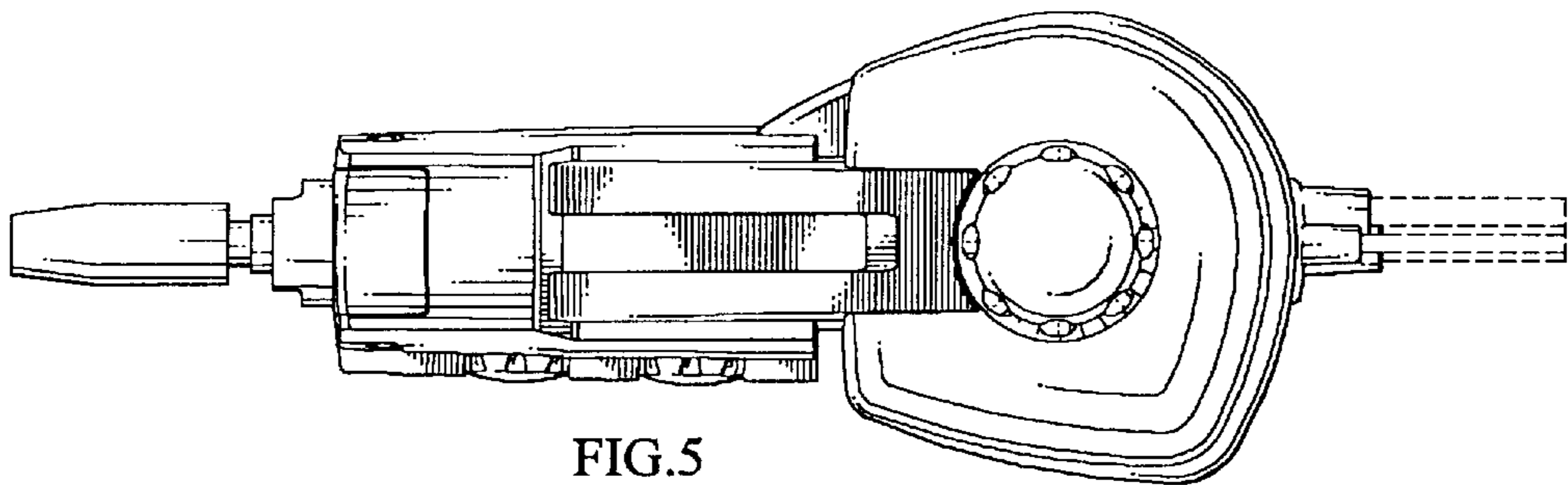


FIG. 5

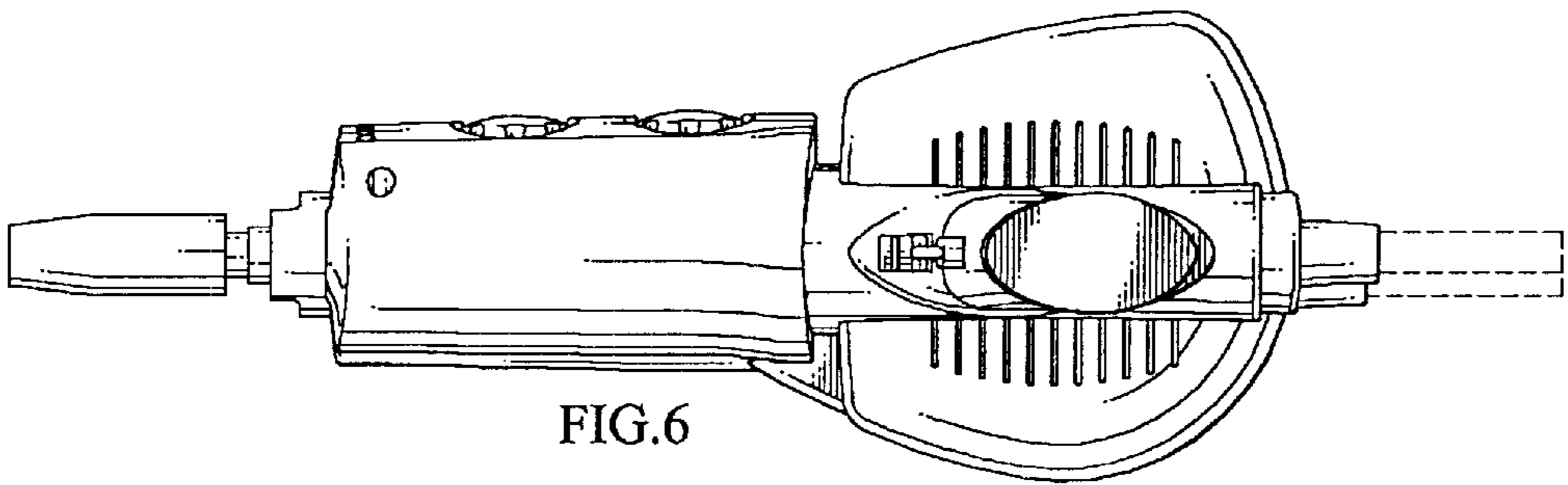


FIG. 6

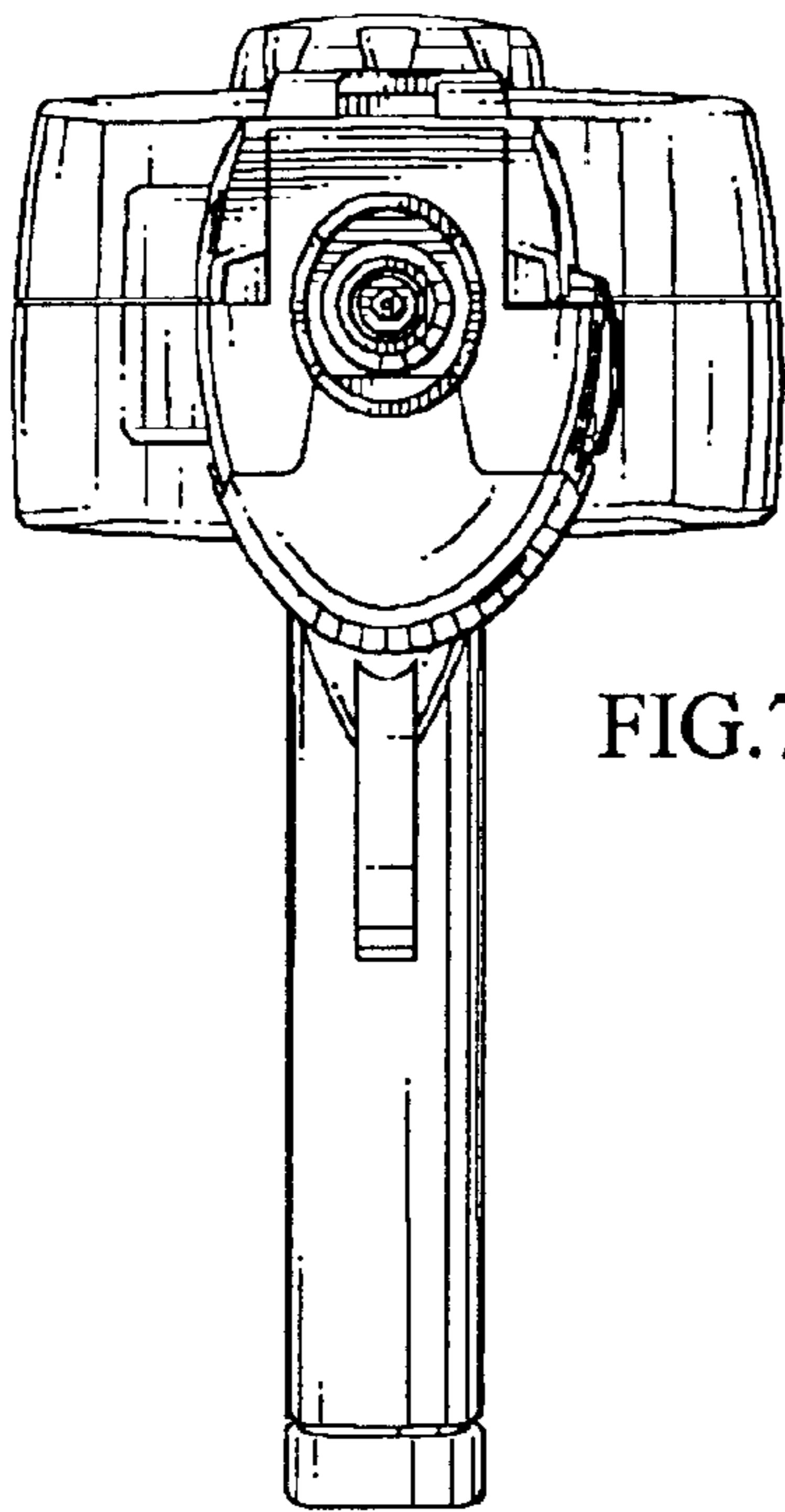


FIG. 7

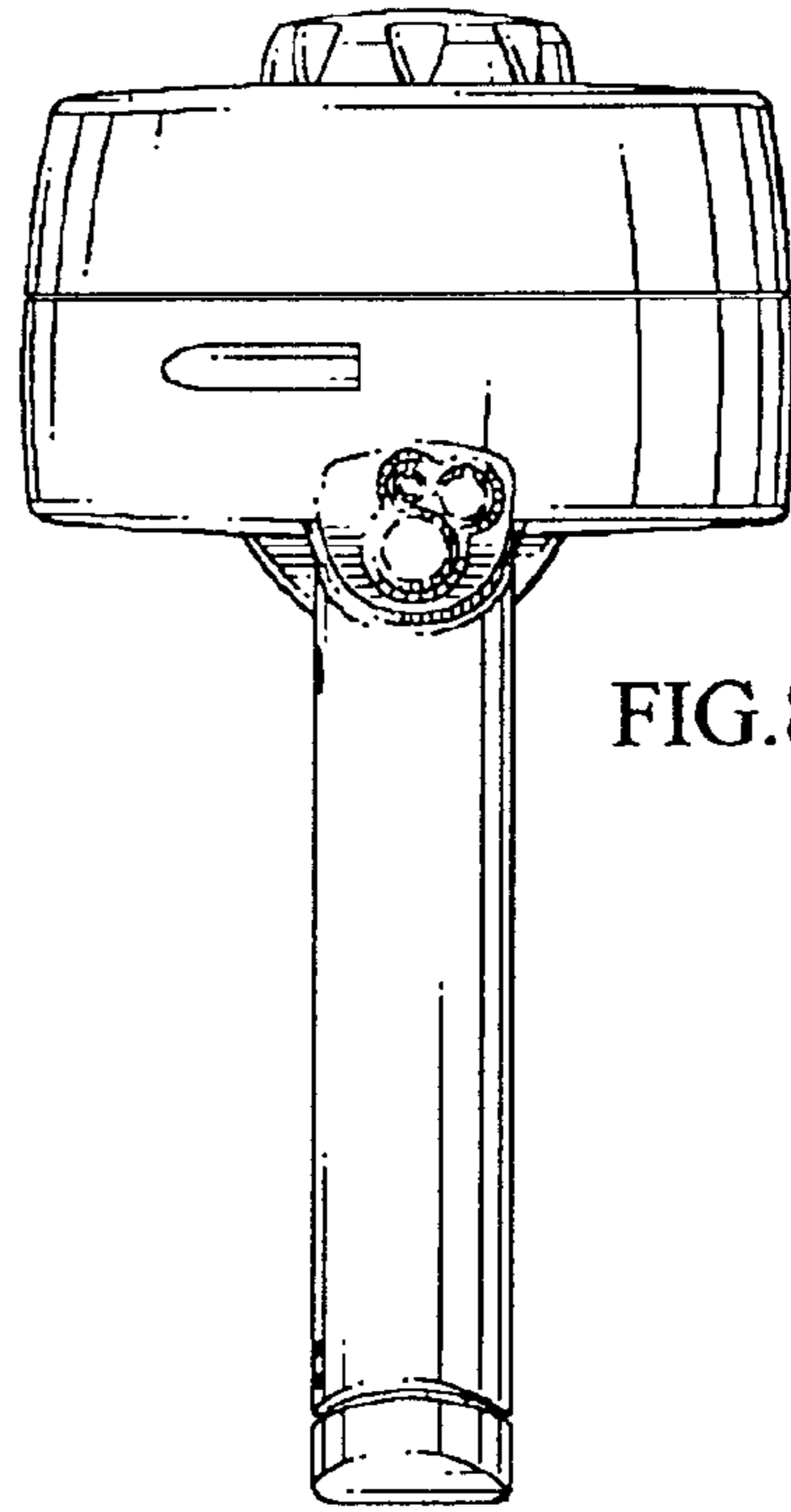


FIG. 8