



US00D456676S

(12) **United States Design Patent**
Sunila et al.

(10) **Patent No.:** **US D456,676 S**

(45) **Date of Patent:** **** May 7, 2002**

(54) **RAKE HEAD**

5,142,855 A * 9/1992 Guidarelli 56/400.16
D375,883 S * 11/1996 Fomby D8/13

(75) Inventors: **Timo Sunila**, Karjaa; **Svante Rönholm**, Karis, both of (FI)

* cited by examiner

(73) Assignee: **Fiskars Consumer Oy Ab** (FI)

Primary Examiner—Pamela Burgess
(74) *Attorney, Agent, or Firm*—Foley & Lardner

(**) Term: **14 Years**

(57) **CLAIM**

(21) Appl. No.: **29/147,947**

The ornamental design for a rake head, as shown and described.

(22) Filed: **Sep. 10, 2001**

(30) **Foreign Application Priority Data**

DESCRIPTION

Mar. 12, 2001 (FI) M-20010165

FIG. 1 is a perspective top and front view of a rake head showing my new design;

(51) **LOC (7) Cl.** **08-01**

FIG. 2 is a perspective bottom and rear view thereof;

(52) **U.S. Cl.** **D8/13**

FIG. 3 is a top plan view thereof;

(58) **Field of Search** D8/13, 1, 9; 56/400.01, 56/400.04, 400.14, 400.16, 400.21

FIG. 4 is a bottom plan view thereof;

FIG. 5 is a front plan view thereof;

FIG. 6 is a back plan view thereof; and,

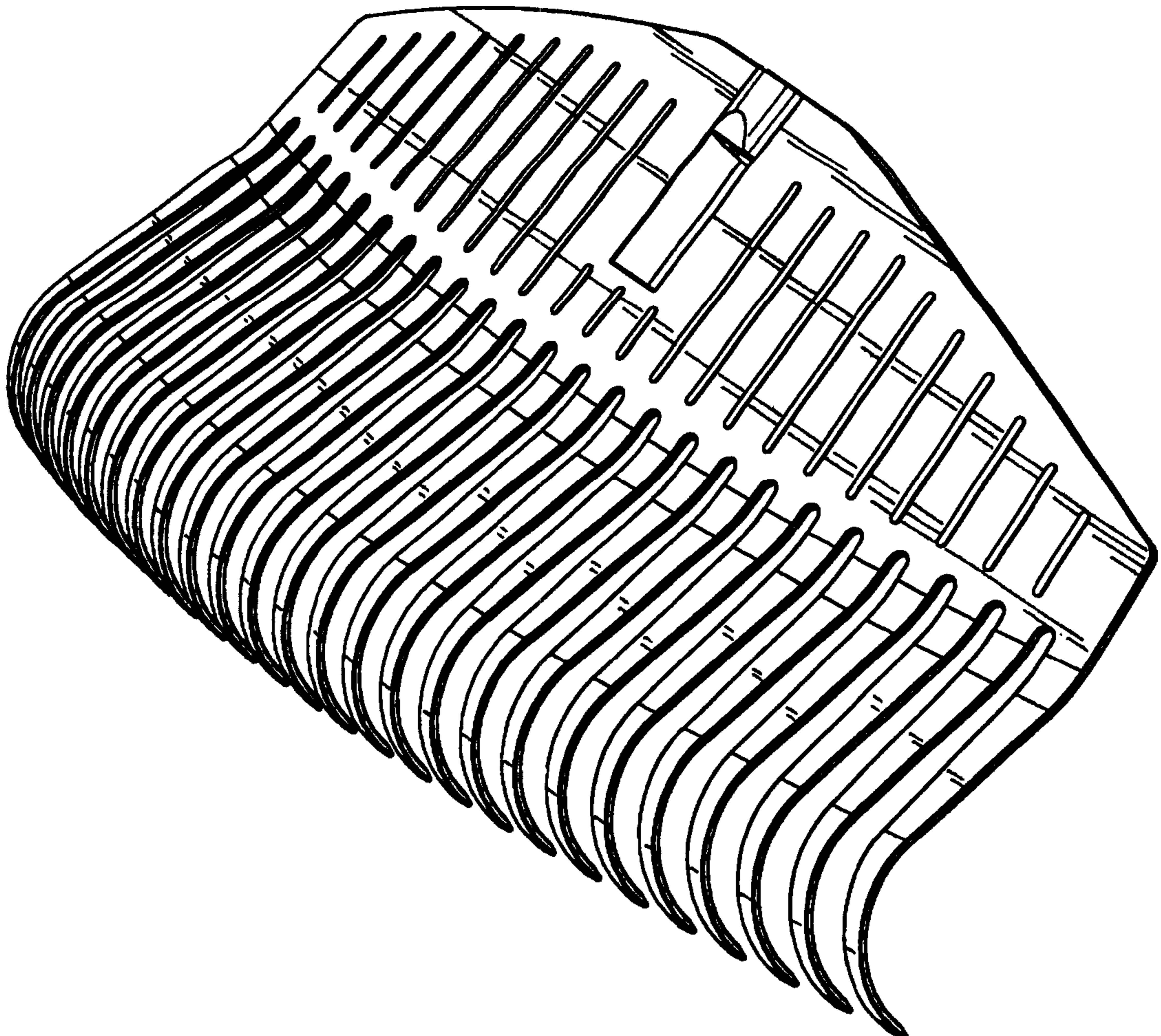
(56) **References Cited**

FIG. 7 is a side plan view thereof; the side opposite being a mirror image.

U.S. PATENT DOCUMENTS

3,707,835 A * 1/1973 McNally et al. 56/400.01

1 Claim, 3 Drawing Sheets



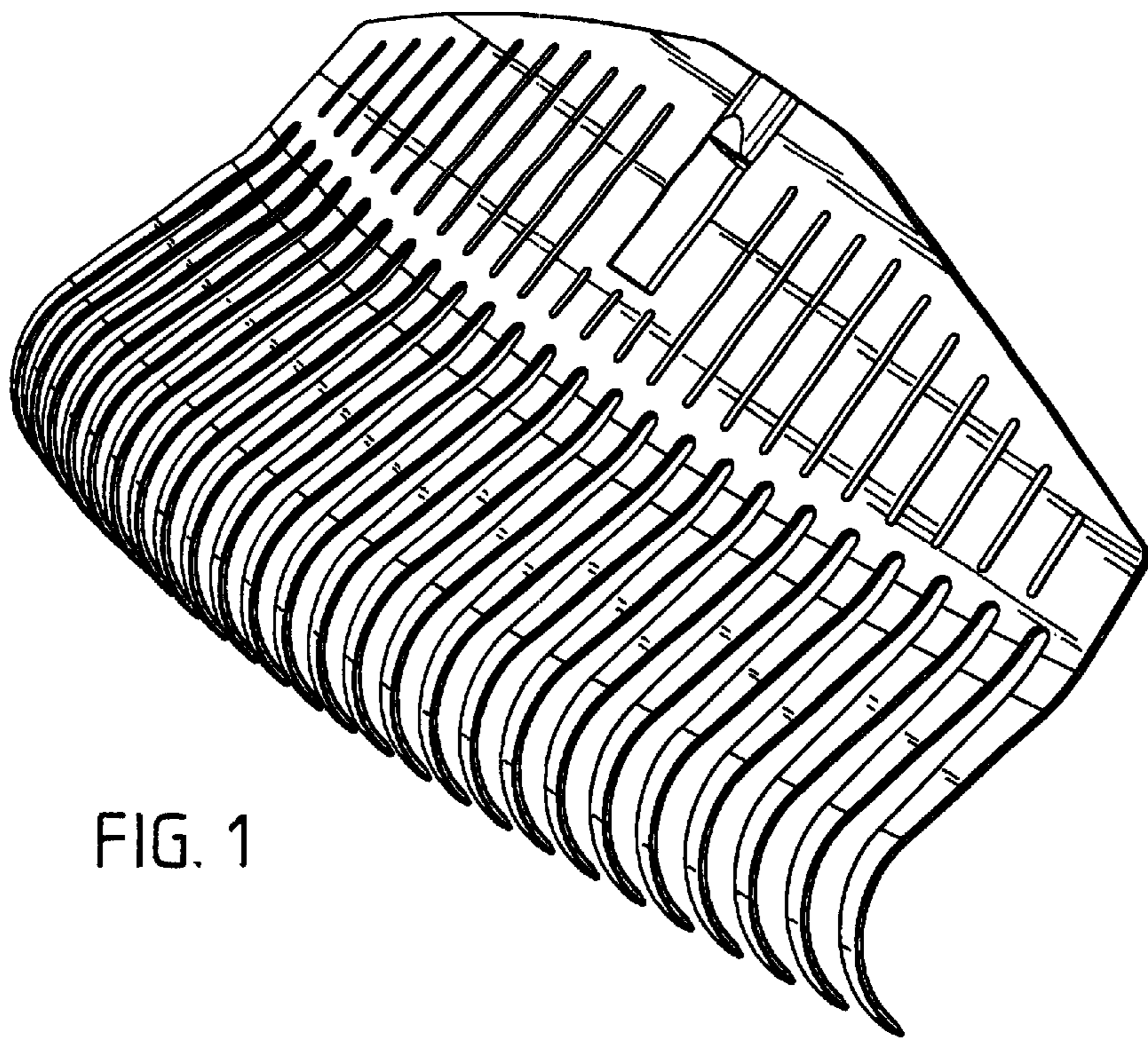


FIG. 1

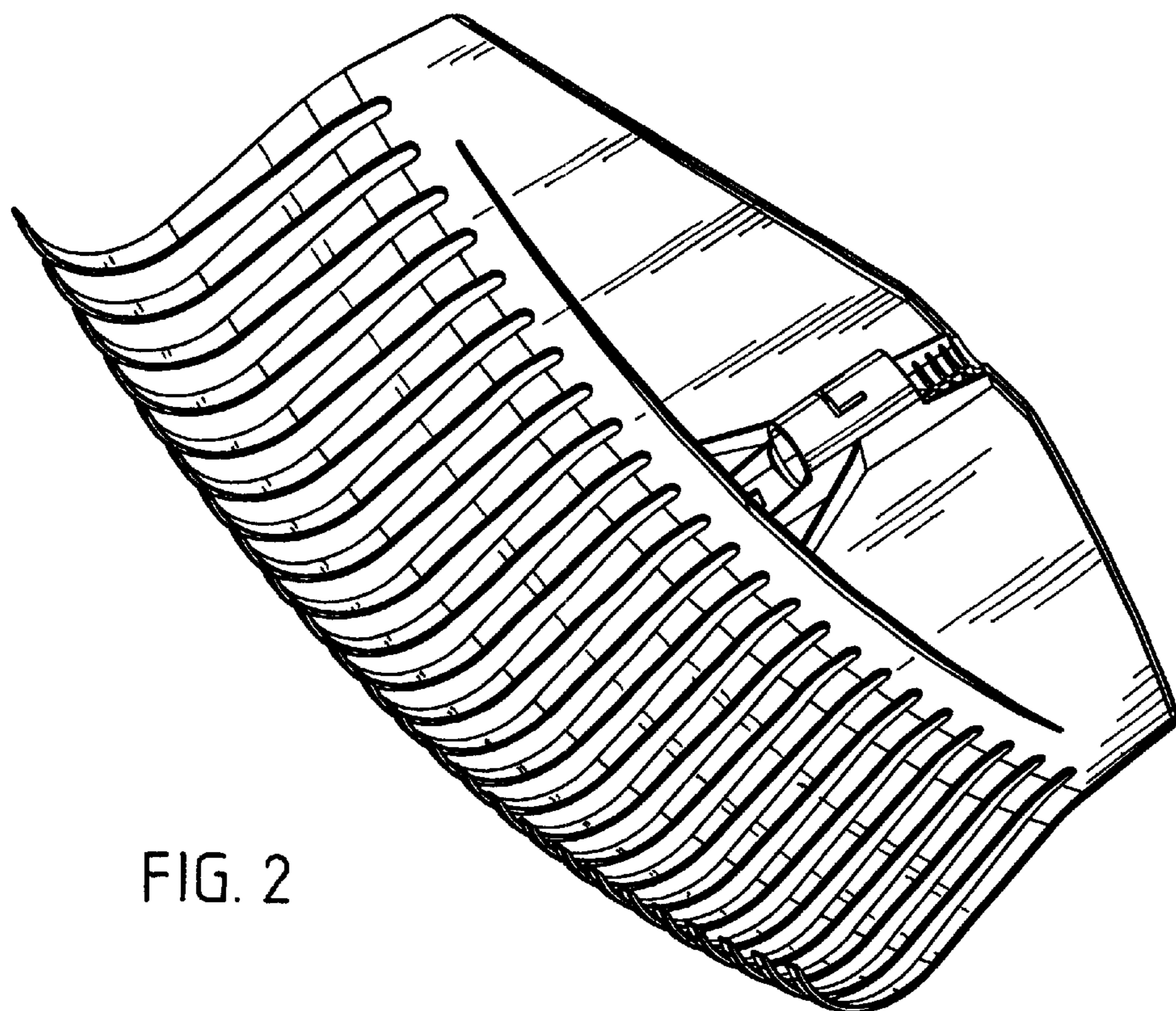


FIG. 2

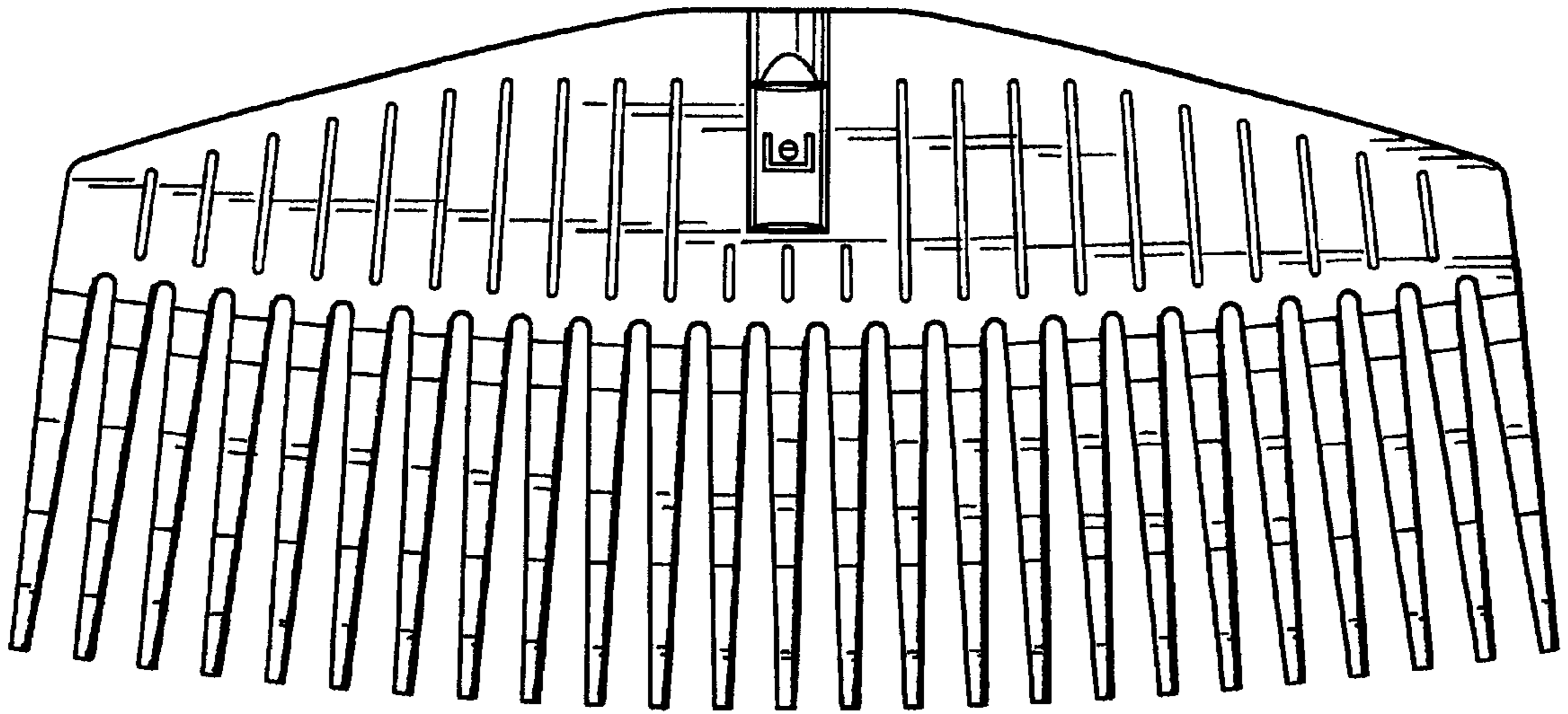


FIG. 3

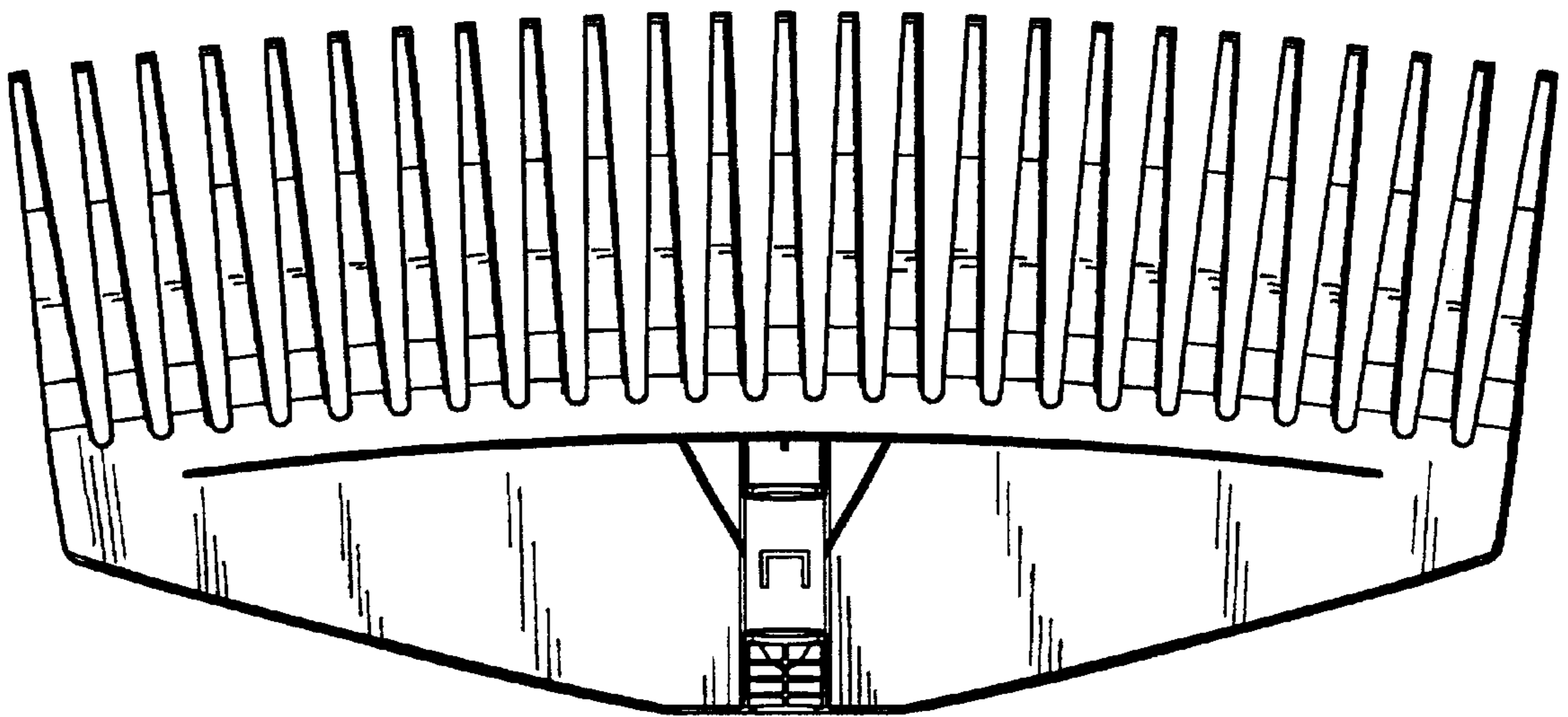


FIG. 4

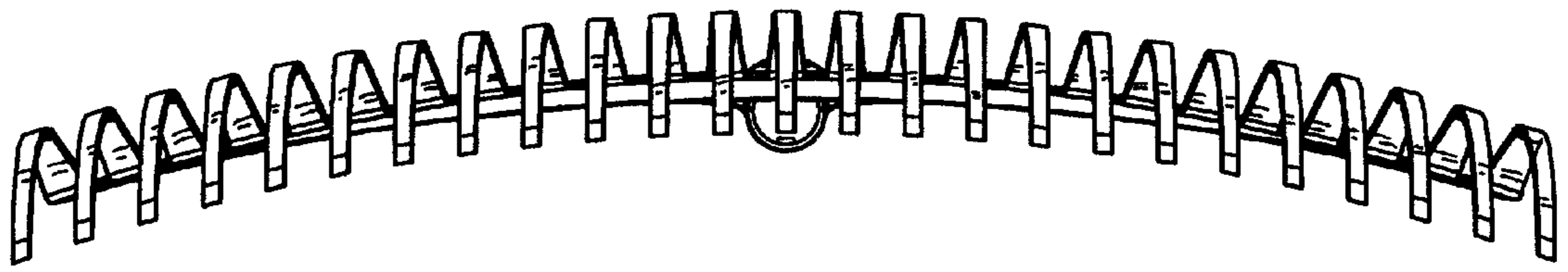


FIG. 5

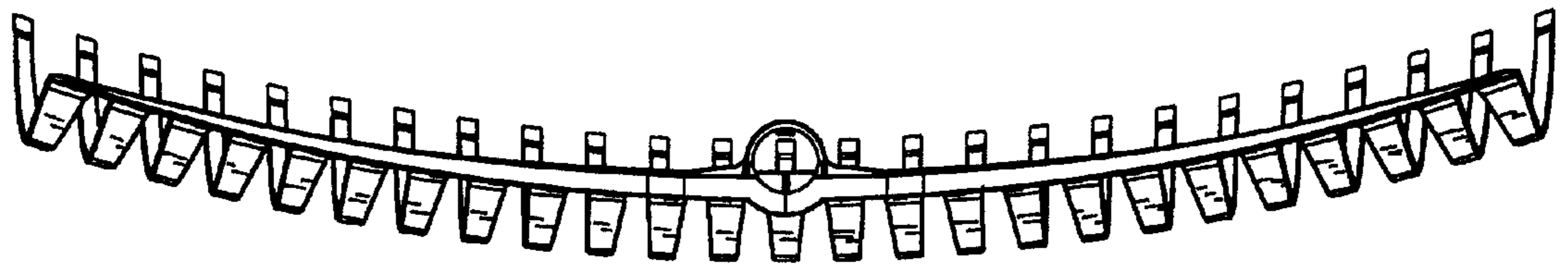


FIG. 6

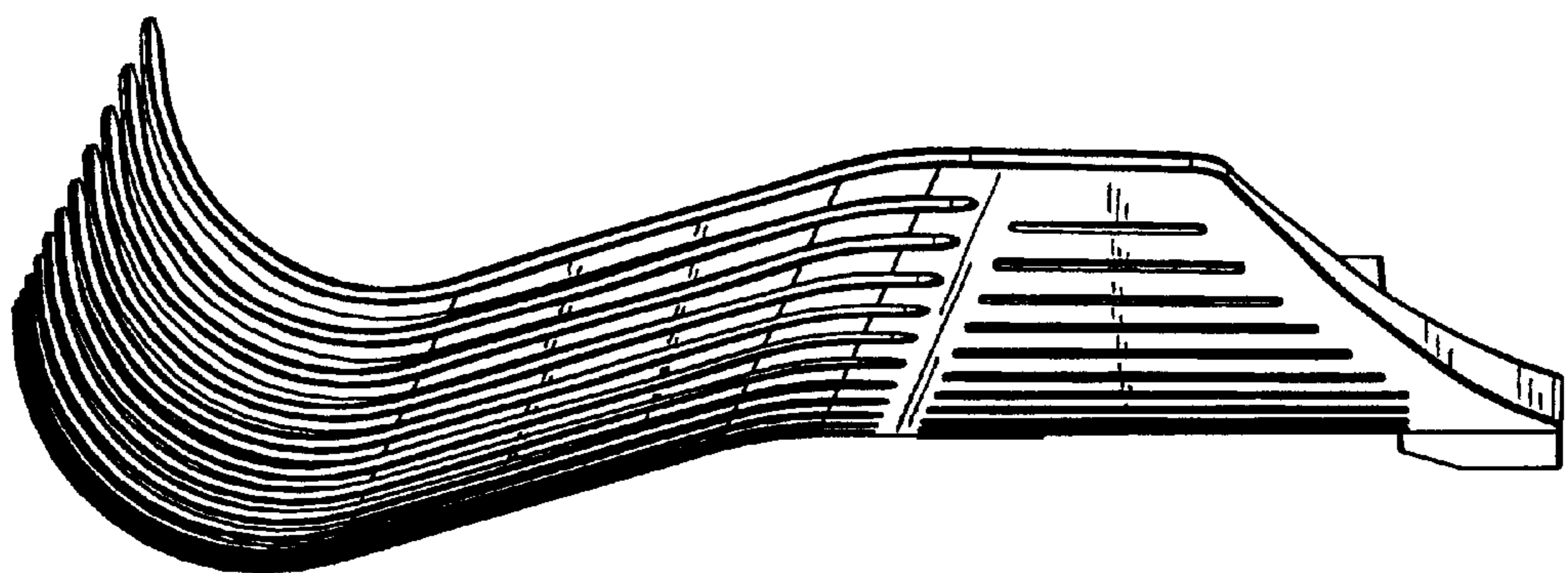


FIG. 7