



US00D456671S

(12) **United States Design Patent**
Pai

(10) **Patent No.:** **US D456,671 S**

(45) **Date of Patent:** **** May 7, 2002**

(54) **GRILL STAND**

(76) **Inventor:** **Lucas Pai**, 8 Fl.-2, No. 160, Sec. 1,
Chung-Kang Rd., Taichung (TW)

(**) **Term:** **14 Years**

(21) **Appl. No.:** **29/137,742**

(22) **Filed:** **Feb. 27, 2001**

(51) **LOC (7) Cl.** **07-02**

(52) **U.S. Cl.** **D7/403**

(58) **Field of Search** D7/332, 334, 335,
D7/336, 337, 402-404, 409; 126/25 R,
25 A, 25 AA, 41 R, 29-30, 9 R, 9 B, 4,
6, 506, 519; D23/343, 348, 350, 317, 332,
334-336, 338-339; 99/443, 450, 421 R;
248/156

(56) **References Cited**

U.S. PATENT DOCUMENTS

- D170,943 S * 11/1953 Reinecke D7/334
- 5,036,832 A * 8/1991 Schlosser et al. 126/243
- D409,436 S * 5/1999 Smith D7/334
- D414,374 S * 9/1999 Ting D7/334
- D424,363 S * 5/2000 Smith D7/334

- D426,419 S * 6/2000 Kuo D7/334
- D428,760 S * 8/2000 Huang D7/334
- D435,387 S * 12/2000 Pai D7/334

* cited by examiner

Primary Examiner—Ruth McInroy
(74) *Attorney, Agent, or Firm*—Thorp Reed & Armstrong,
LLP

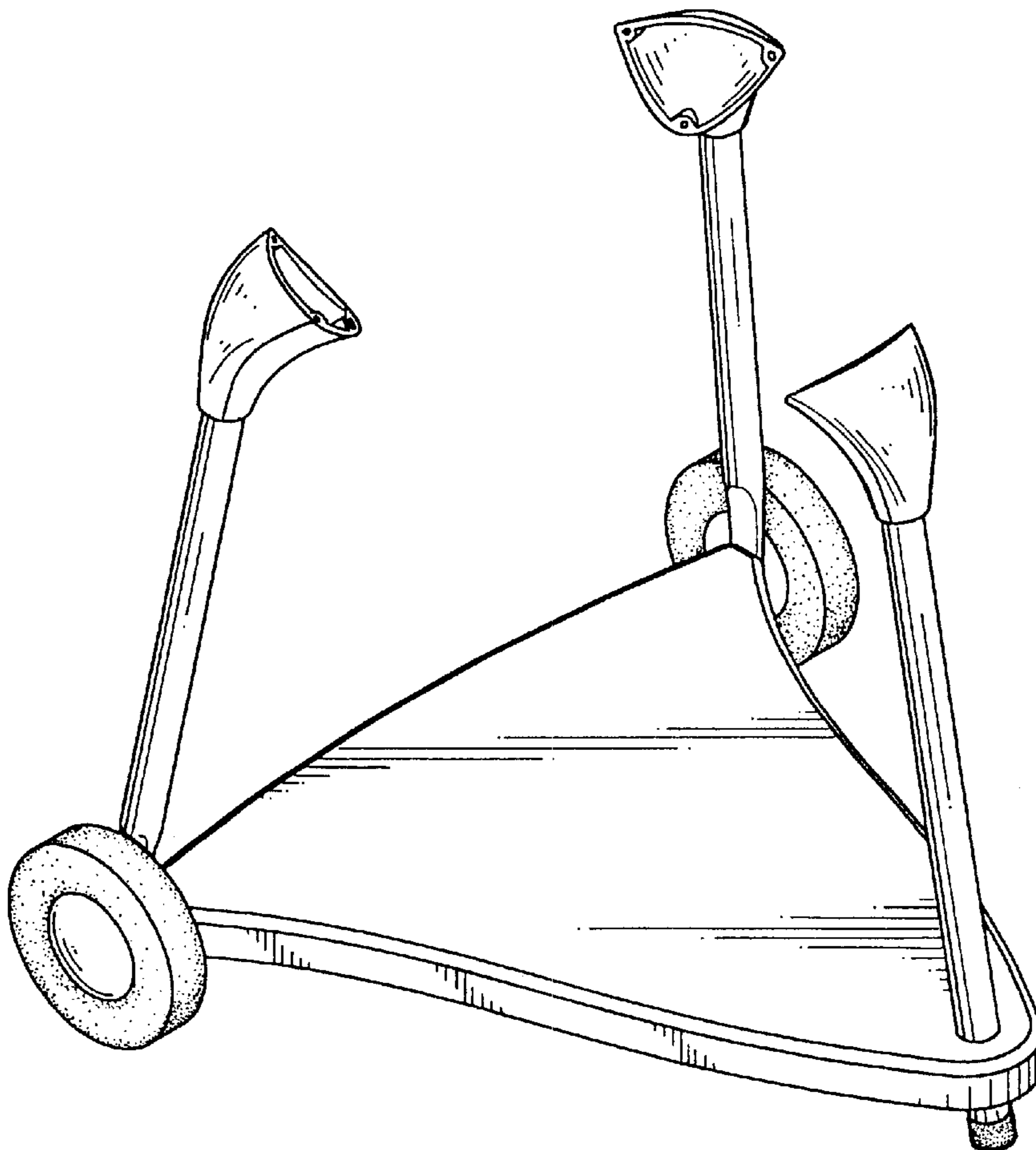
(57) **CLAIM**

The ornamental design for a grill stand, as shown and described.

DESCRIPTION

FIG. 1 is a perspective view of a grill stand showing my new design;
 FIG. 2 is a front elevational view thereof;
 FIG. 3 is a rear elevational view thereof;
 FIG. 4 is a left side view thereof;
 FIG. 5 is a right side view thereof;
 FIG. 6 is a top plain view thereof;
 FIG. 7 is a bottom plain view thereof; and,
 FIG. 8 is a perspective view showing the application thereof, wherein the broken line portion is for illustrative purpose only and forms no part of the claimed design.

1 Claim, 5 Drawing Sheets



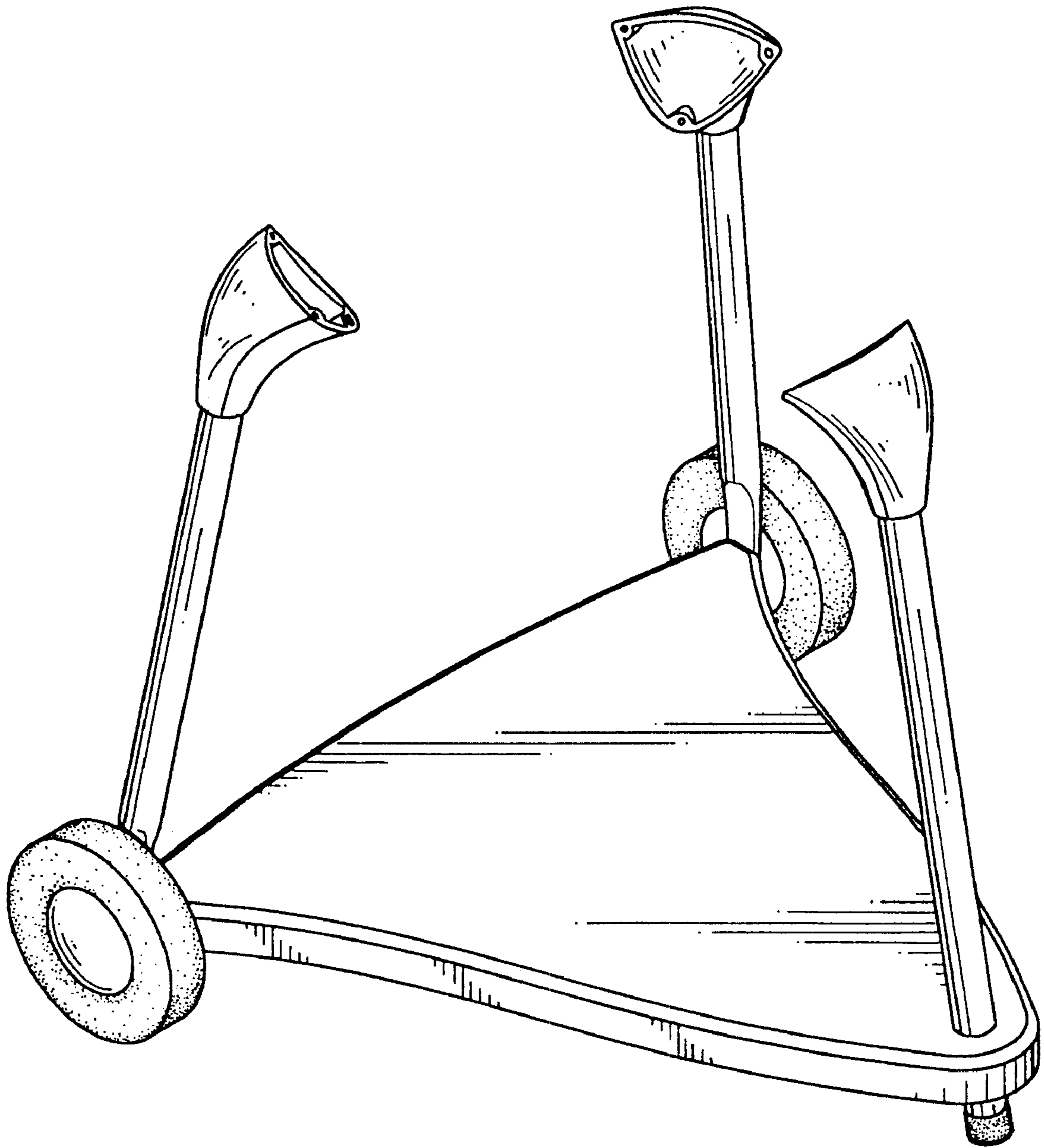


FIG. 1

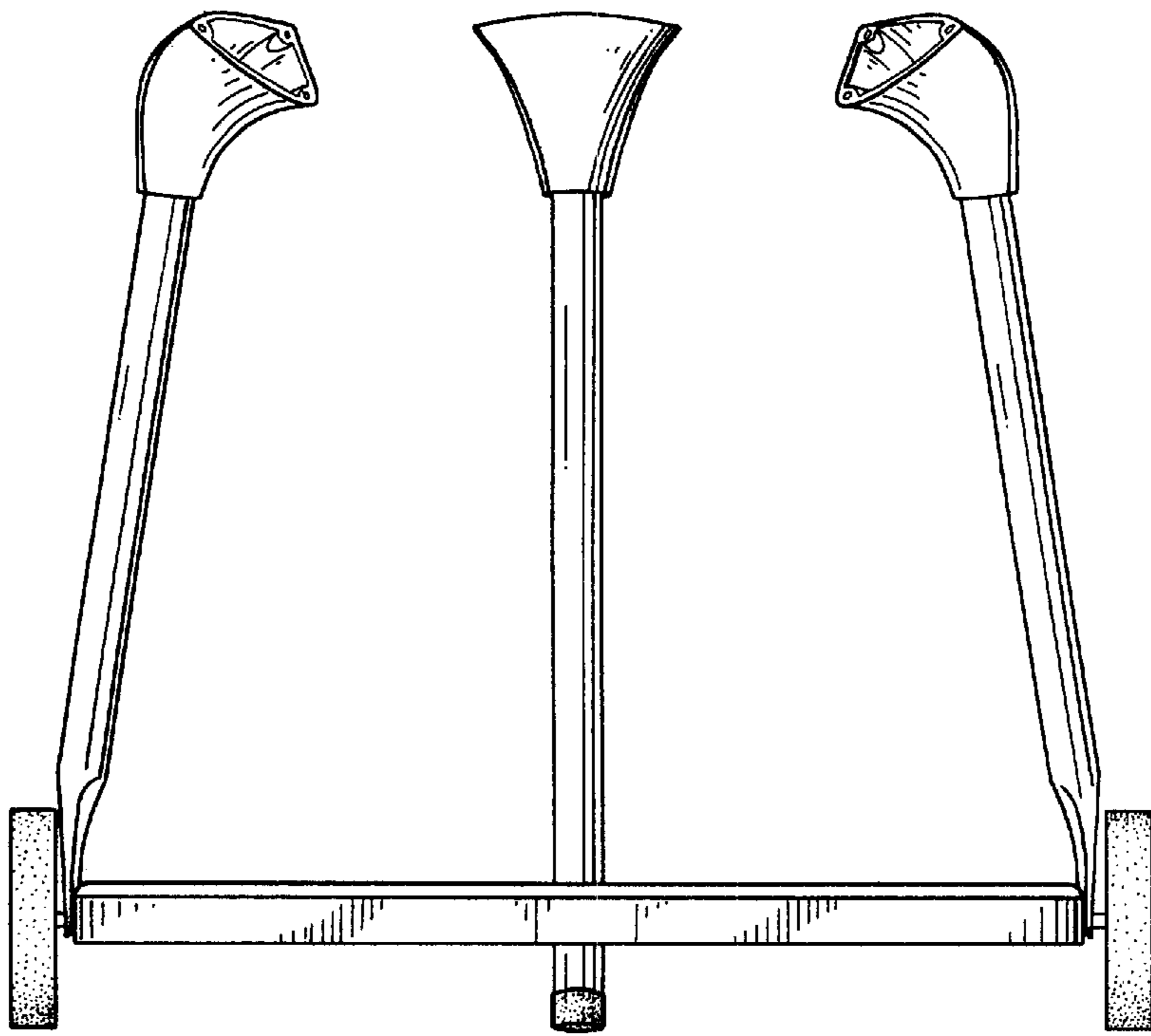


FIG. 2

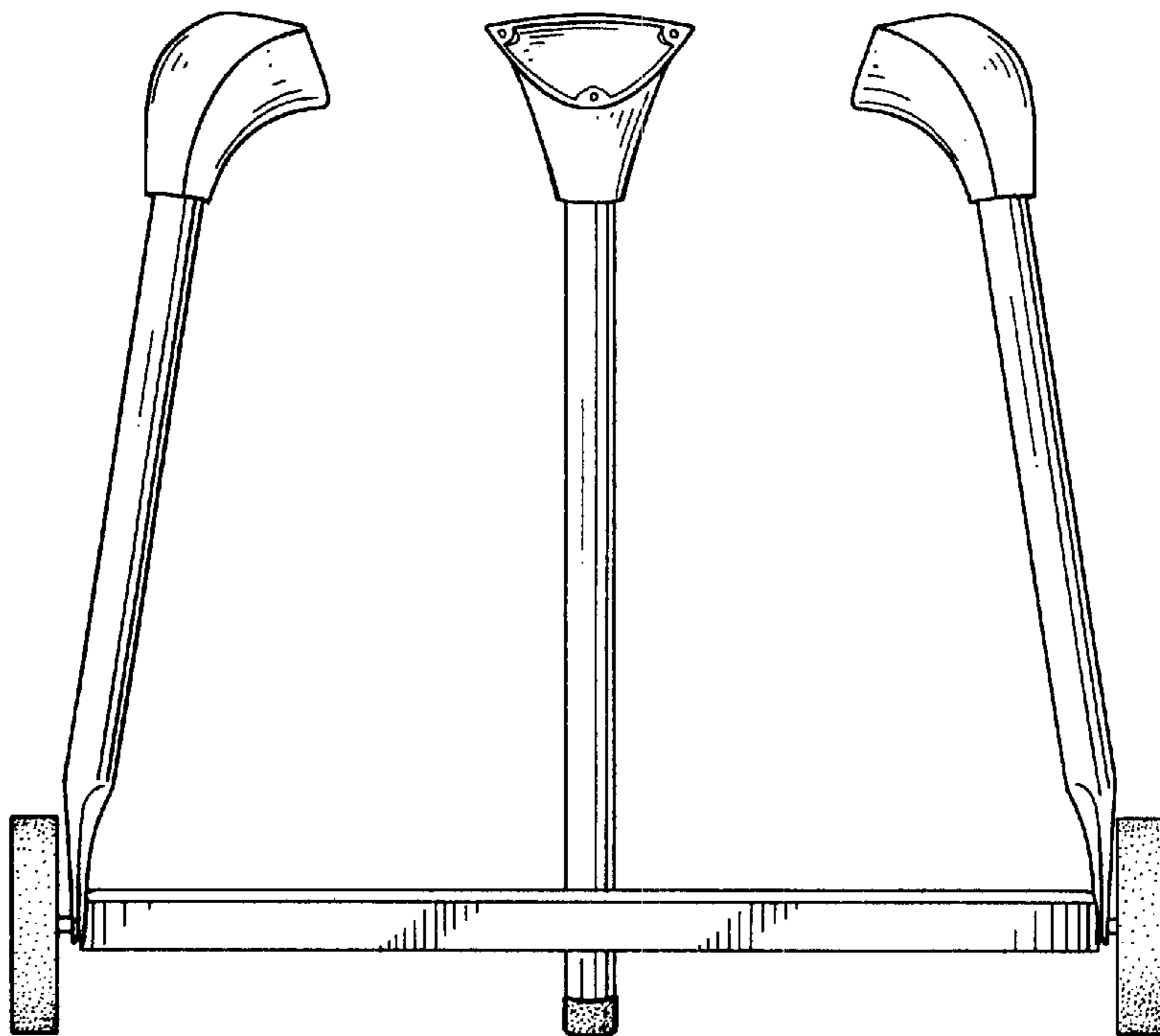


FIG. 3

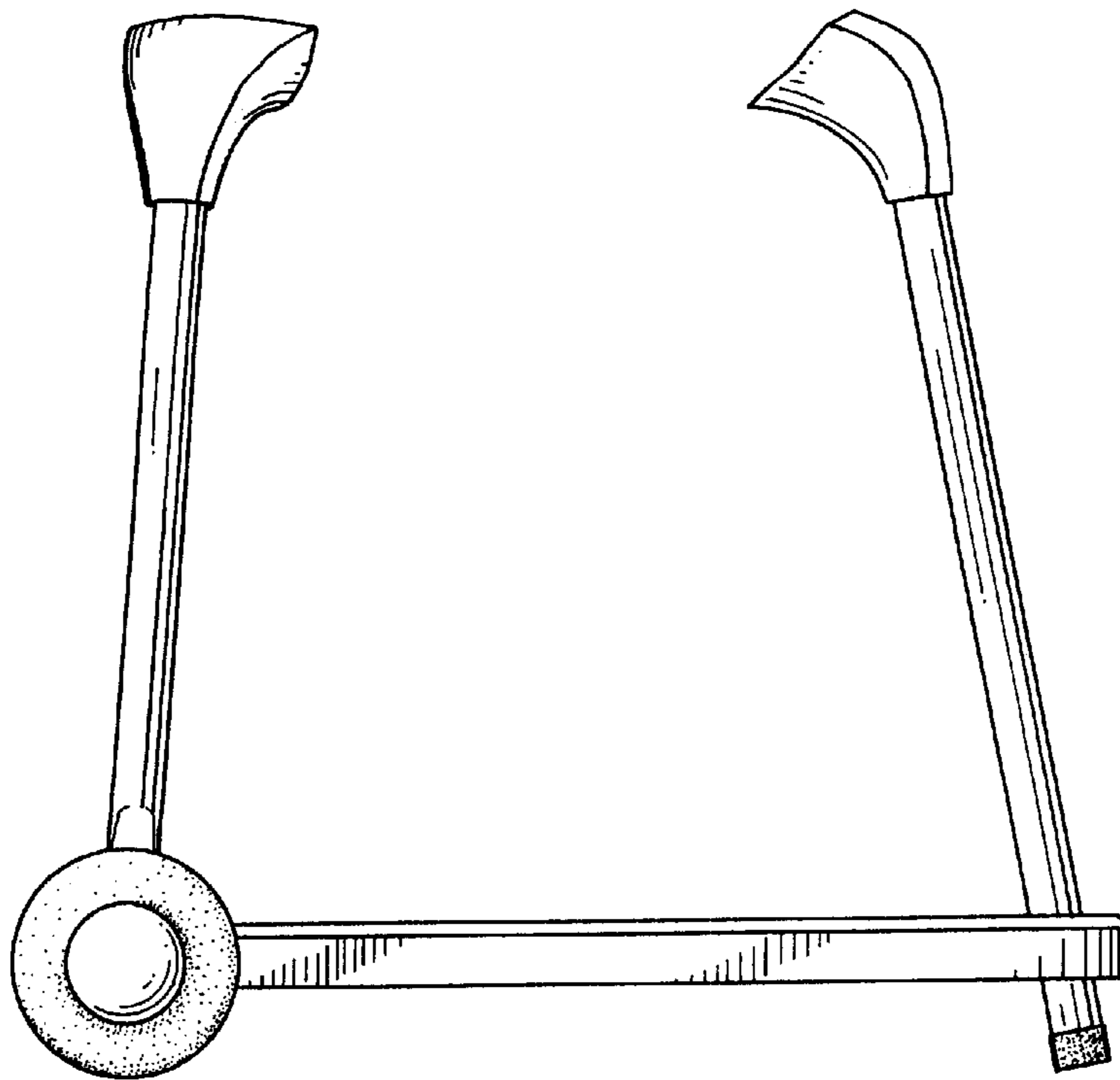


FIG. 4

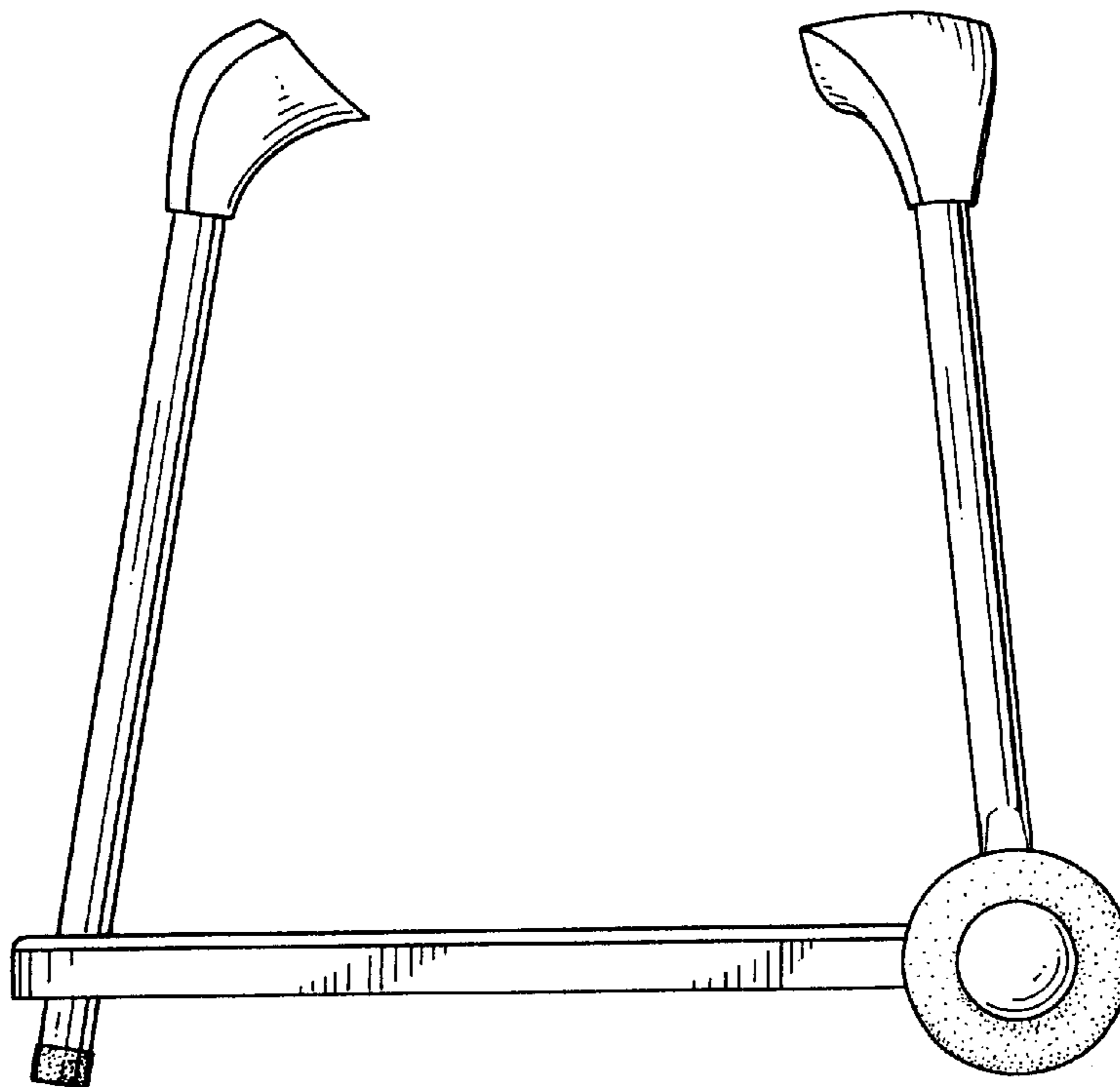


FIG. 5

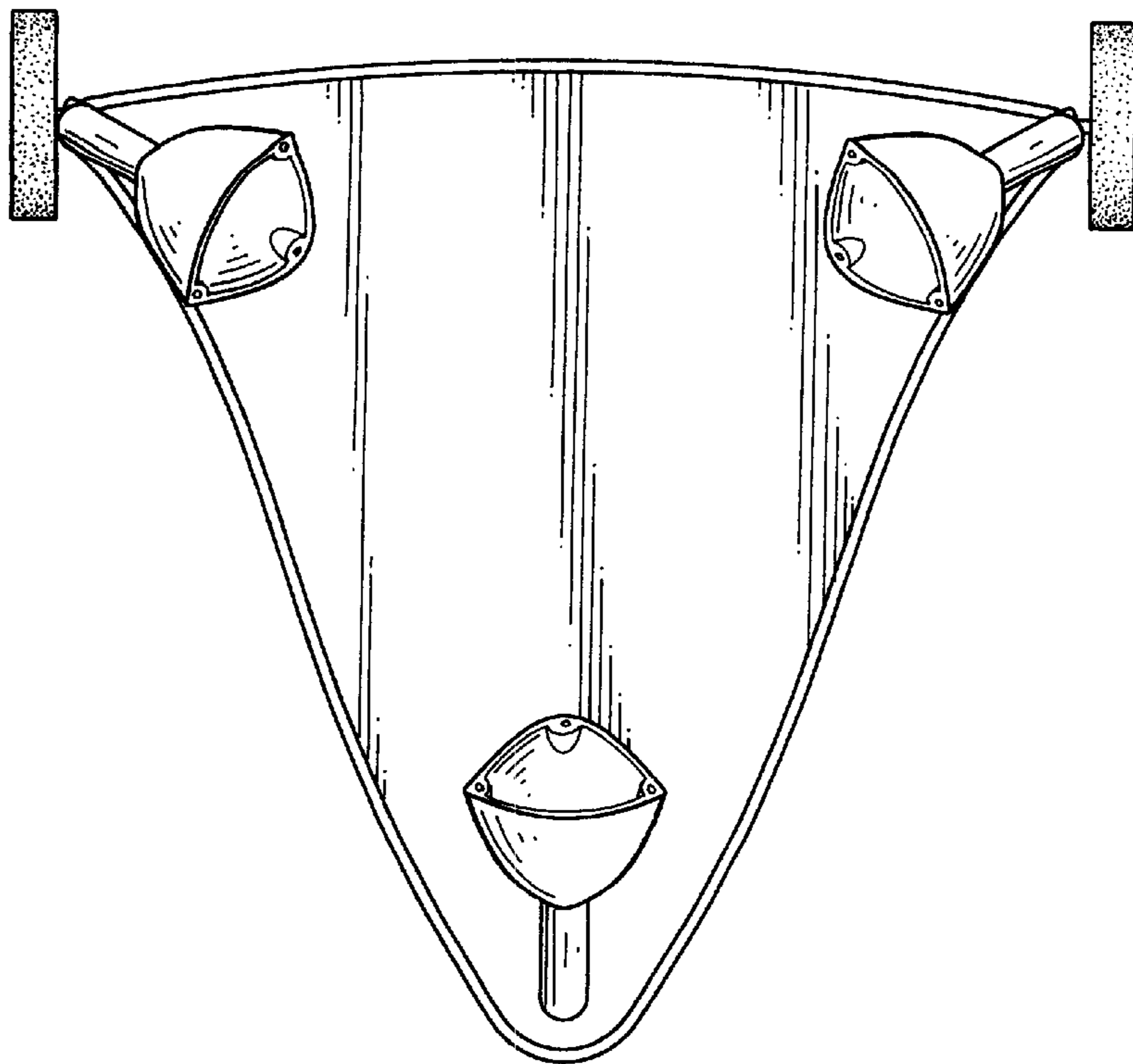


FIG. 6

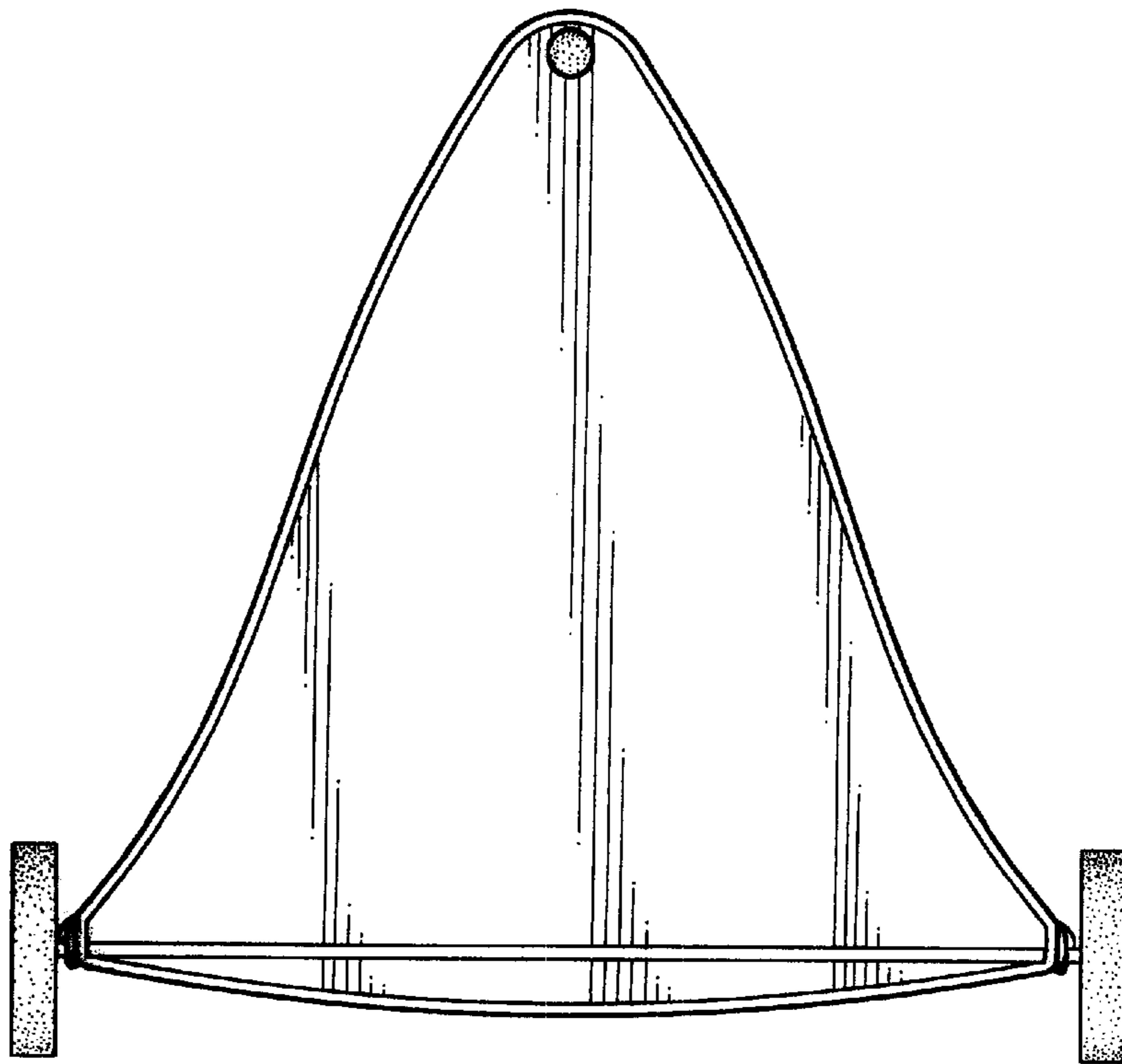


FIG. 7

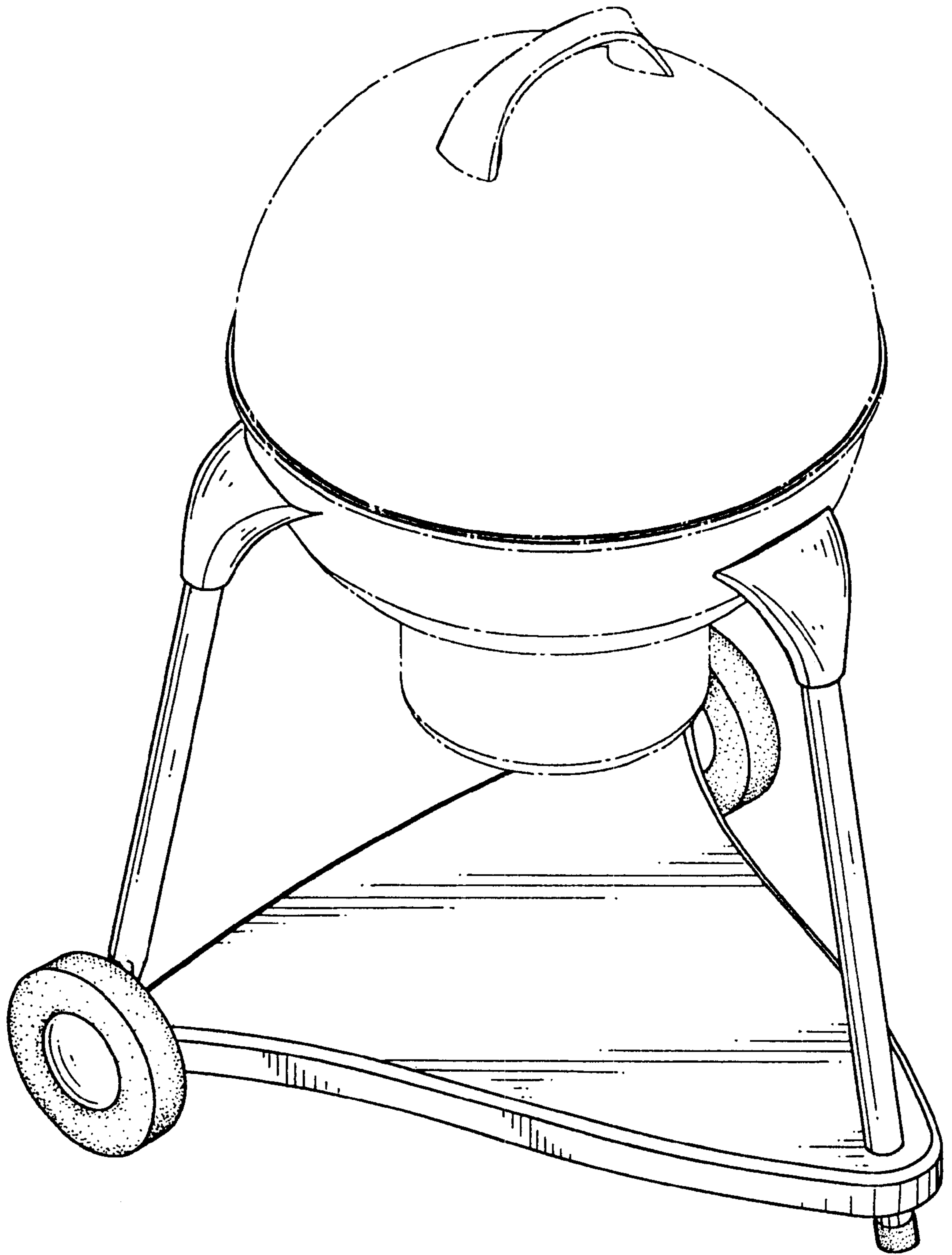


FIG. 8