



US00D456669S

(12) **United States Design Patent**
Munari

(10) **Patent No.:** **US D456,669 S**

(45) **Date of Patent:** **** May 7, 2002**

(54) **HANDLE KNOB FOR A LID OF A COOKING VESSEL**

D160,649 S * 10/1950 Muller-Munk D7/392.1
D185,064 S * 5/1959 Clark, Jr. D7/392.1
D332,379 S * 1/1993 Murphy D7/391

(75) **Inventor:** **Marco Munari**, Cardano Al Campo (IT)

* cited by examiner

(73) **Assignee:** **La Termoplastico F.B.M S.r.l.**, Arsago Seprio (IT)

Primary Examiner—Antoine Duval Davis
(74) *Attorney, Agent, or Firm*—Ladas & Parry

(**) **Term:** **14 Years**

(57) **CLAIM**

(21) **Appl. No.:** **29/136,214**

The ornamental design for a handle knob for a lid of a cooking vessel, substantially as shown.

(22) **Filed:** **Jan. 26, 2001**

DESCRIPTION

(30) **Foreign Application Priority Data**

Aug. 3, 2000 (XH) DM/052 814

(51) **LOC (7) Cl.** **07-01**

(52) **U.S. Cl.** **D7/392.1**

(58) **Field of Search** D7/538, 543, 547,
D7/387, 391, 392, 392.1, 393, 394; 220/573.4,
574, 912, 780

FIG. 1 is a perspective view from above of my new design relating to a handle knob for a lid of a cooking vessel;

FIG. 2 is a side elevation view of my new design, the opposite side view being identical;

FIG. 3 is a front elevation view of my new design, the rear elevation view being identical;

FIG. 4 is a bottom view of my new design; and,

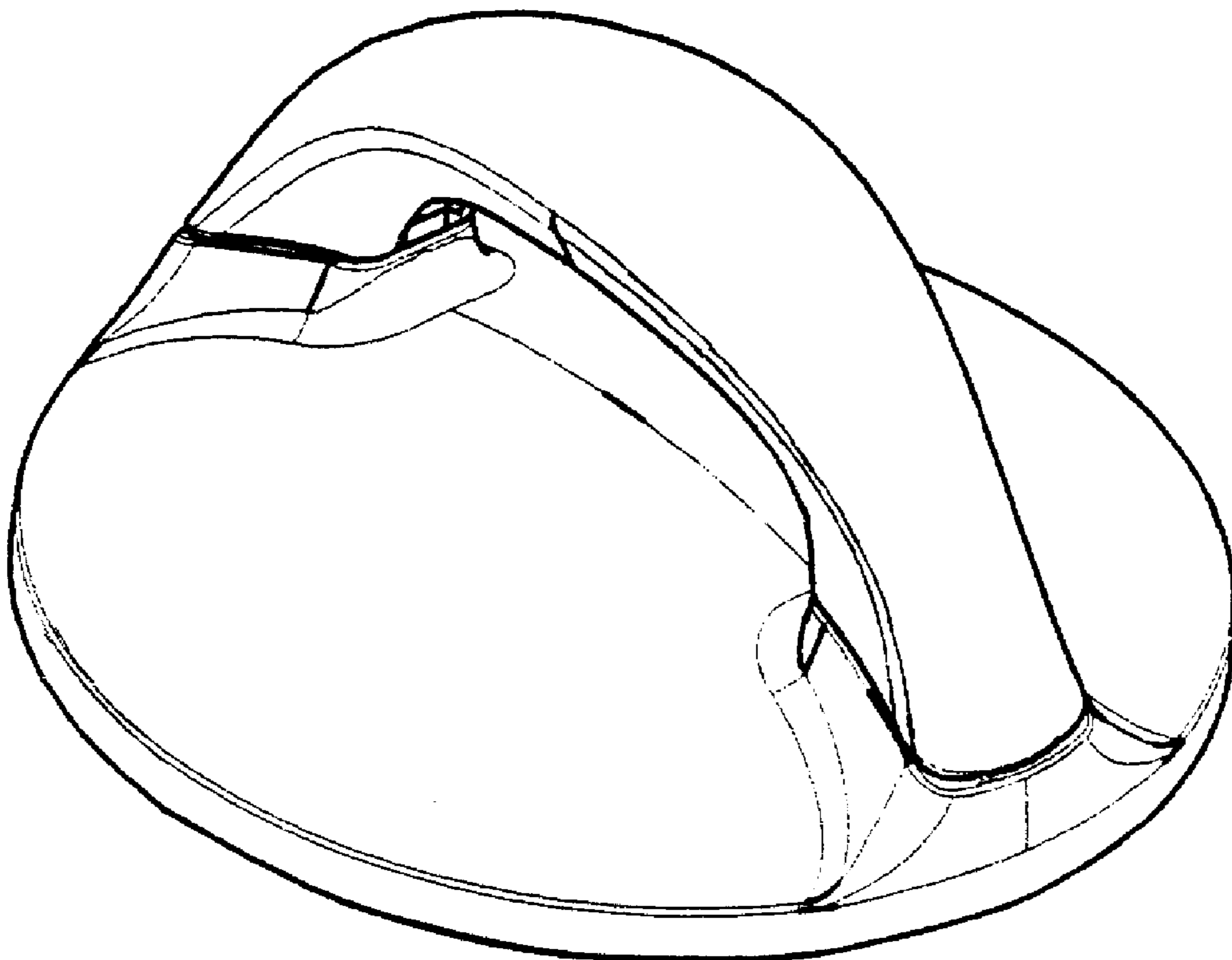
FIG. 5 is a top view of my new design.

(56) **References Cited**

U.S. PATENT DOCUMENTS

D157,363 S * 2/1950 Frankel D7/392.1

1 Claim, 1 Drawing Sheet



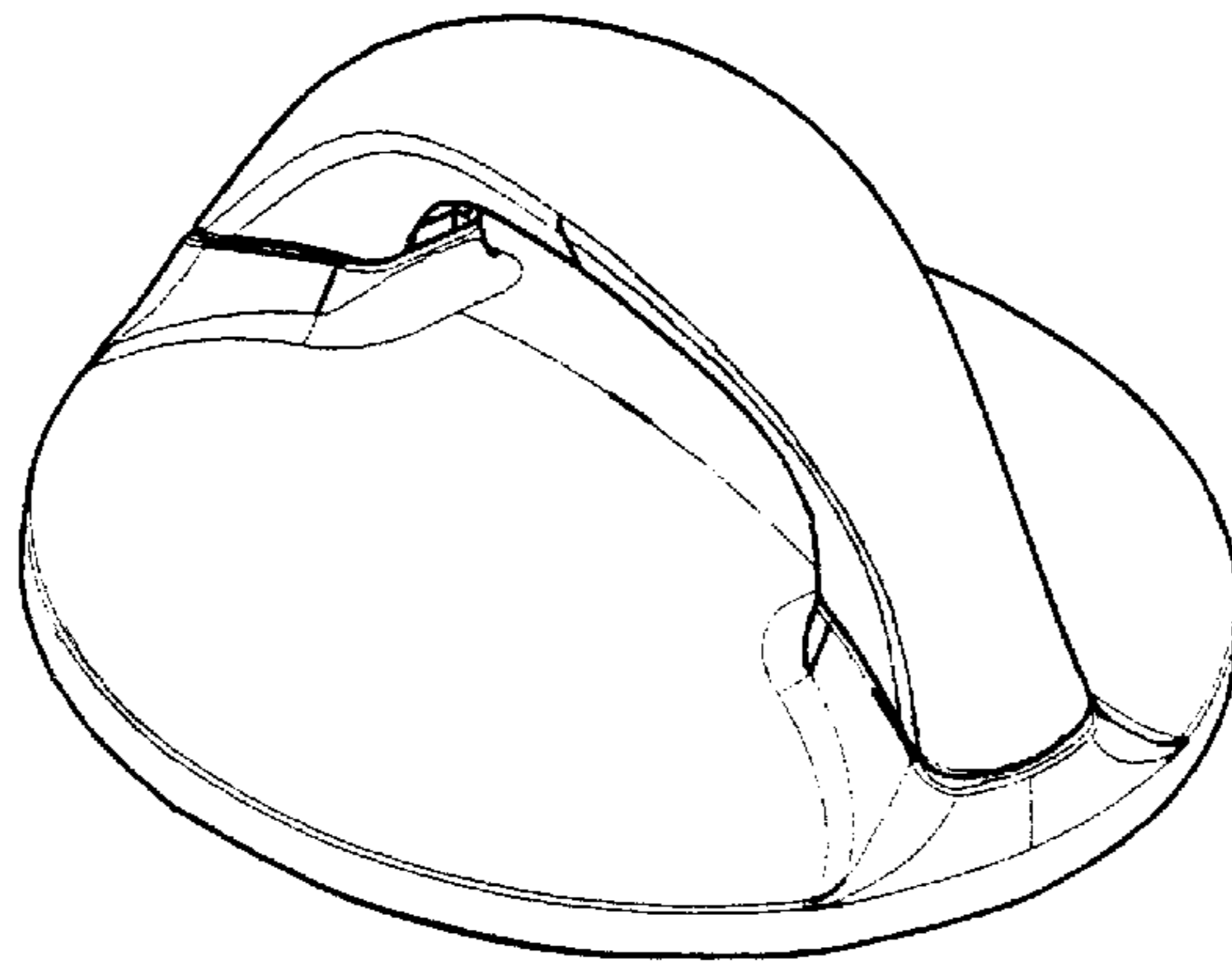


Fig. 1

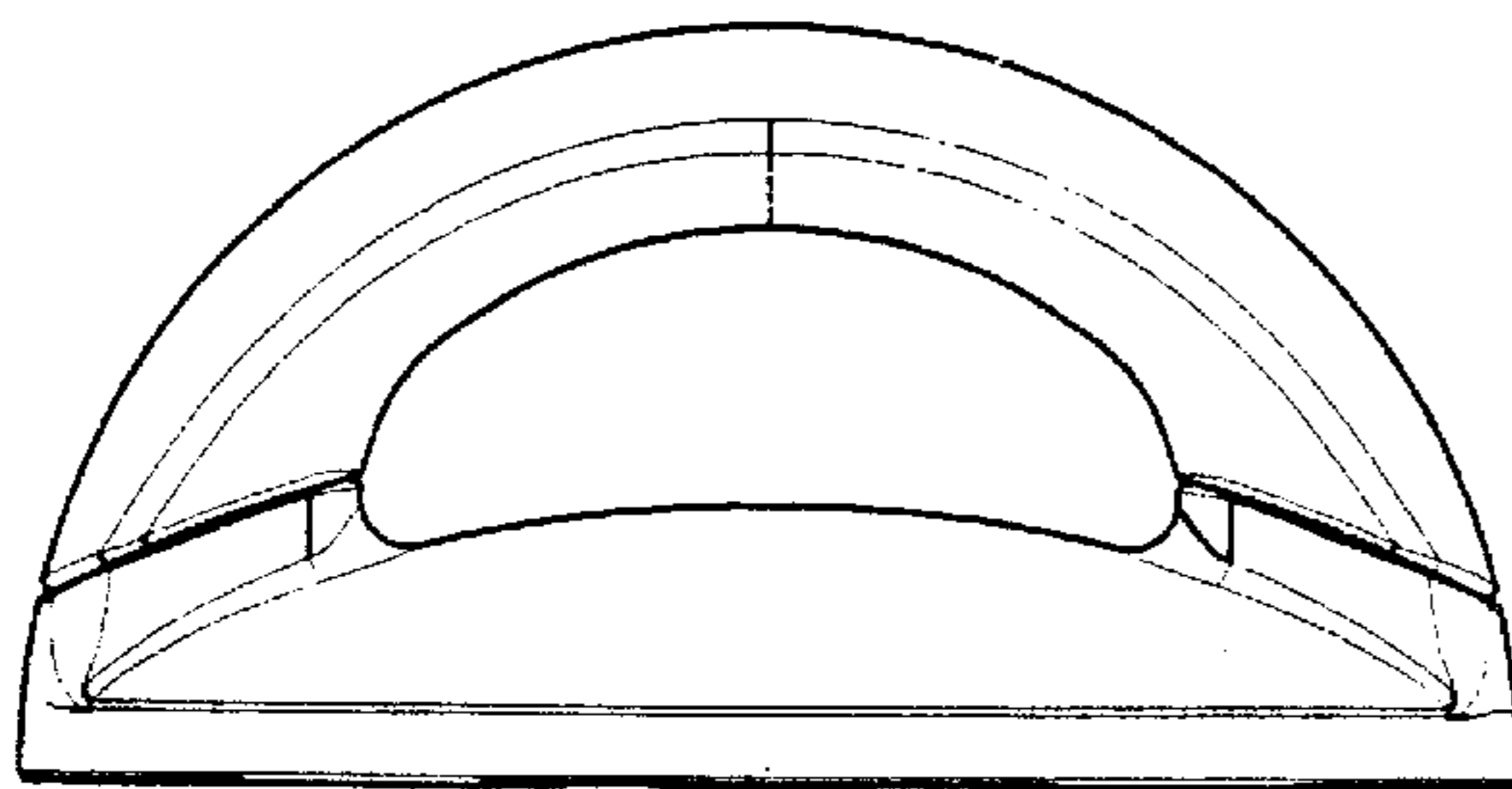


Fig. 2

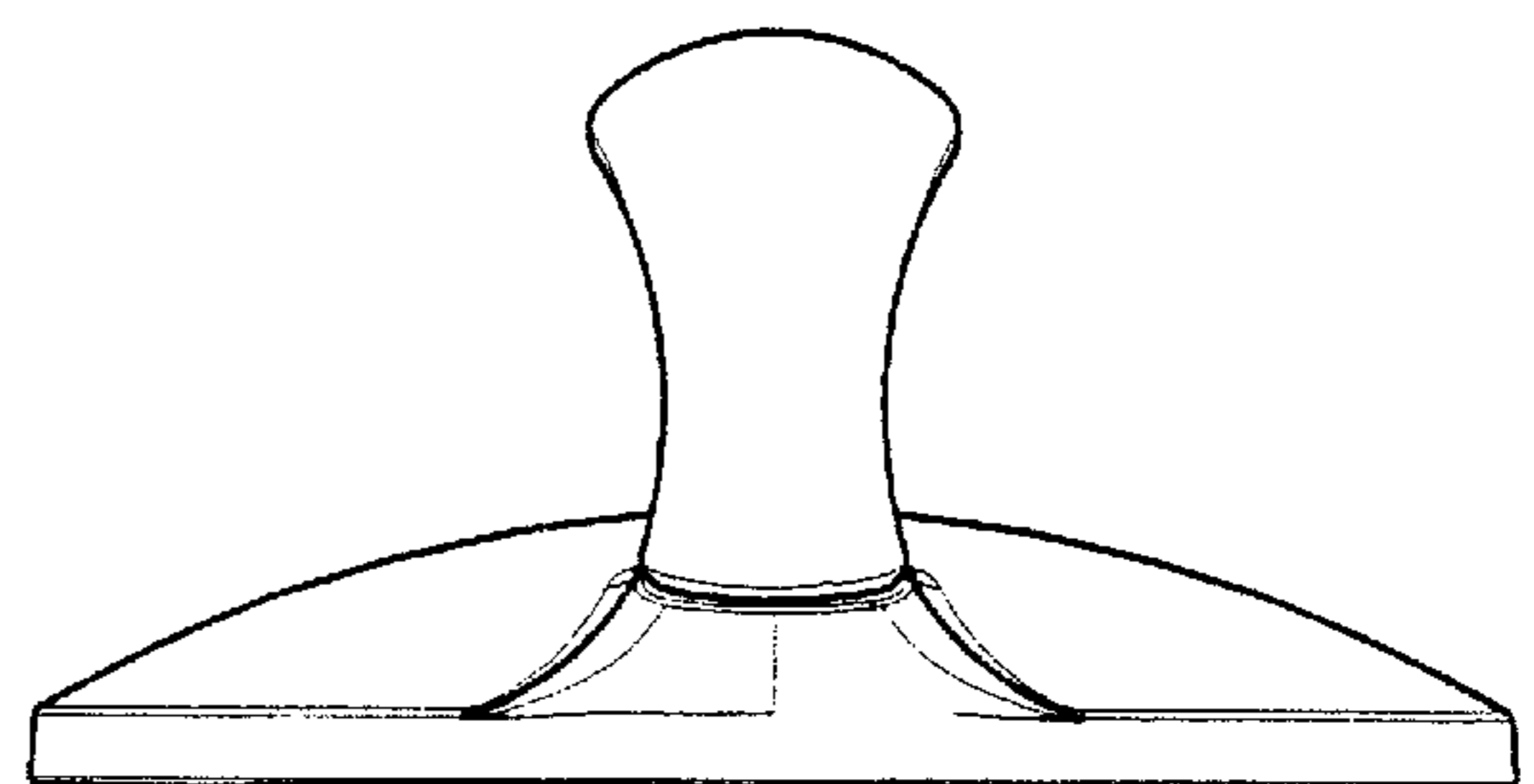


Fig. 3

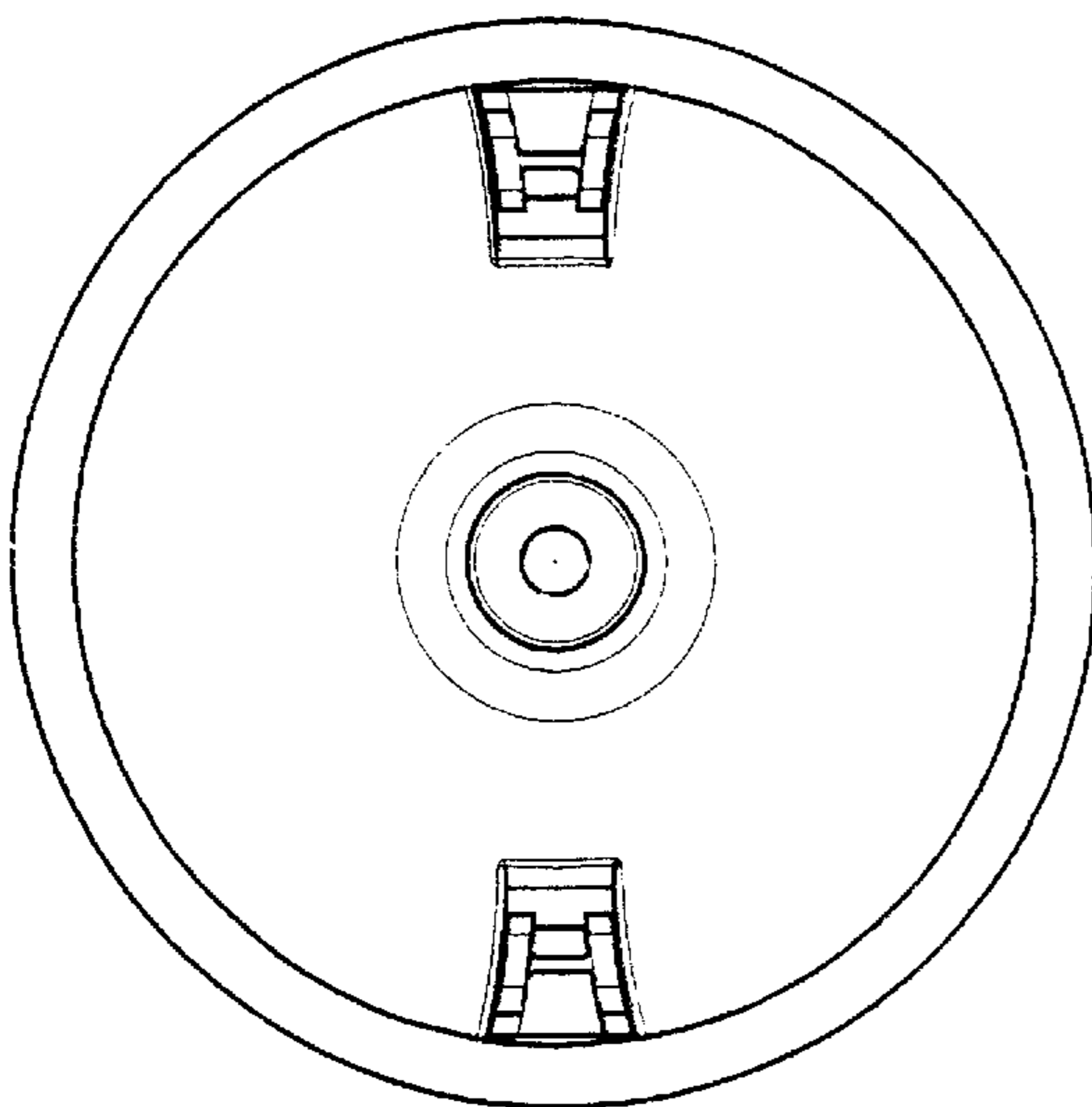


Fig. 4

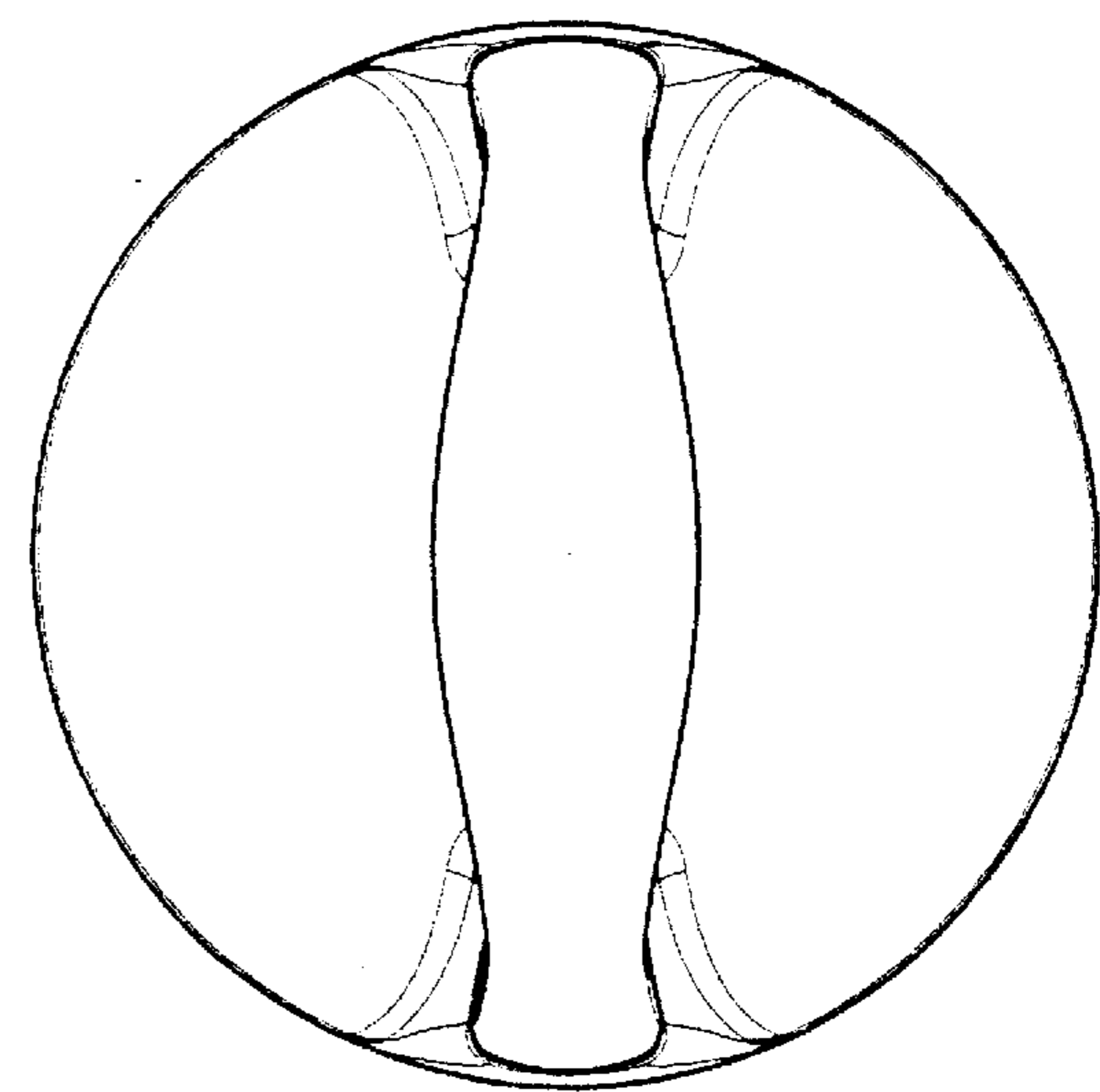


Fig. 5