



US00D456668S

(12) **United States Design Patent**
Tse

(10) **Patent No.:** **US D456,668 S**

(45) **Date of Patent:** **** May 7, 2002**

(54) **HANDLE FOR WINE BOTTLE STOPPER**

(75) Inventor: **Kwok Kay Tse**, Kowloon (CN)

(73) Assignee: **ISIS Technology Limited**, Kowloon (CN)

(**) Term: **14 Years**

(21) Appl. No.: **29/138,325**

(22) Filed: **Mar. 9, 2001**

(51) **LOC (7) Cl.** **07-09**

(52) **U.S. Cl.** **D7/387**; D9/435; D9/440

(58) **Field of Search** D9/434, 435, 440, D9/443; D7/300, 387; 215/355-364

(56) **References Cited**

U.S. PATENT DOCUMENTS

D9,683 S	*	12/1876	Steele	D9/439
D23,176 S	*	4/1894	Tatum	D9/439
D367,007 S	*	2/1996	Paglina	D9/439
D413,262 S	*	8/1999	Cardinaletti	D9/439
D419,445 S	*	1/2000	Gotr-barten	D9/439
D422,214 S	*	4/2000	Hollinger	D9/439
D448,605 S	*	10/2001	Horan	D7/387

* cited by examiner

Primary Examiner—Dominic Simone

(74) *Attorney, Agent, or Firm*—Alix, Yale & Ristas, LLP

(57) **CLAIM**

The ornamental design for a handle for wine bottle stopper, as shown and described.

DESCRIPTION

FIG. 1 is a front perspective view of the handle for wine bottle stopper showing my new design;

FIG. 2 is a front perspective view of the handle of FIG. 1 and a first embodiment of a wine bottle stopper shown in broken lines;

FIG. 3 is a front perspective view of the handle of FIG. 1 and a second embodiment of a wine bottle stopper shown in broken lines;

FIG. 4 is a front view of the handle for wine bottle stopper of FIG. 1;

FIG. 5 is a rear view of the handle for wine bottle stopper of FIG. 1;

FIG. 6 is a top plan view of the handle for wine bottle stopper of FIG. 1;

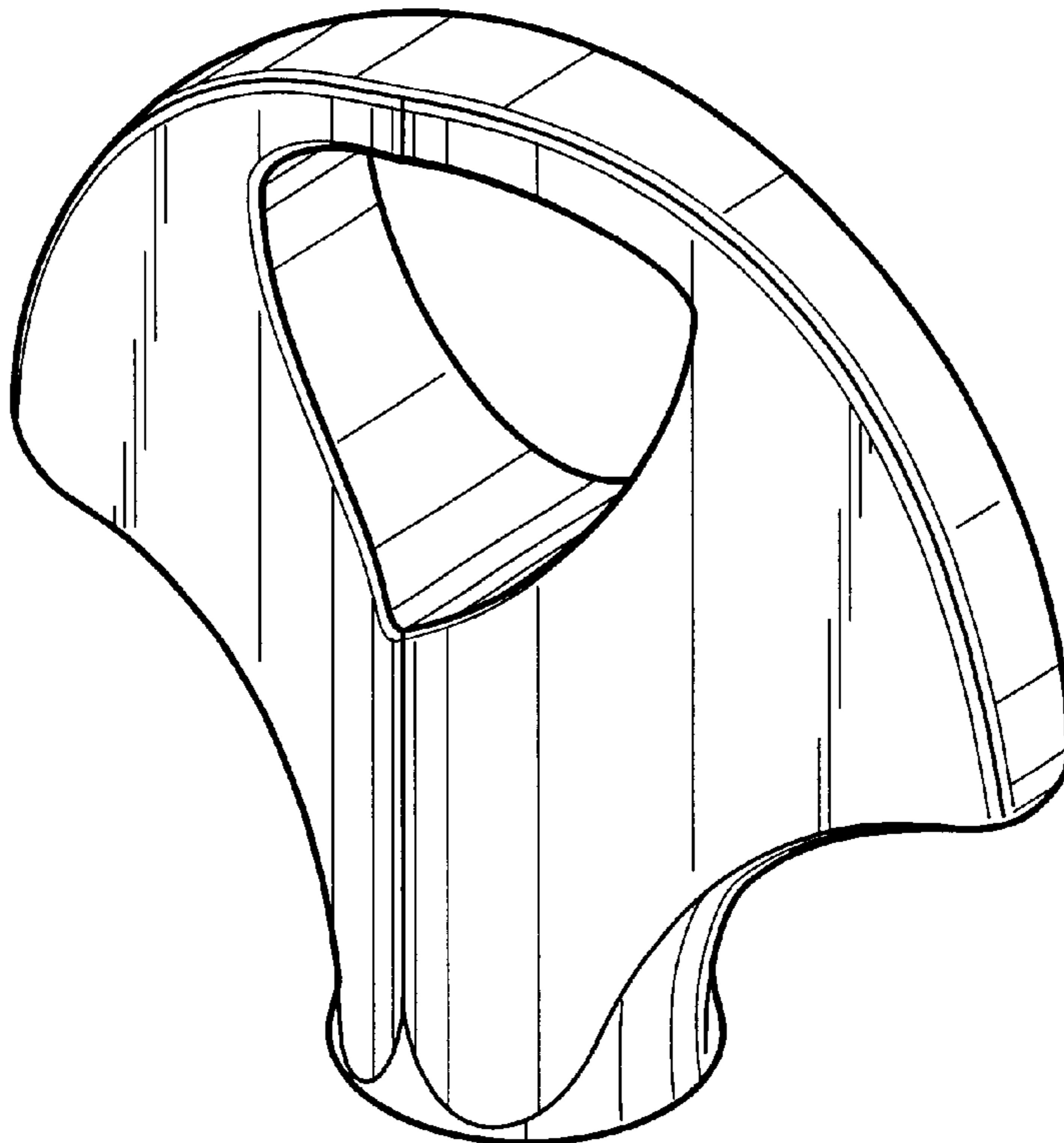
FIG. 7 is a bottom plan view of the handle for wine bottle stopper of FIG. 1;

FIG. 8 is a left side view of the handle for wine bottle stopper of FIG. 1; and,

FIG. 9 is a right side view of the handle for wine bottle stopper of FIG. 1.

The broken line showing of environment is for illustrative purposes only and forms no part of the claimed design.

1 Claim, 5 Drawing Sheets



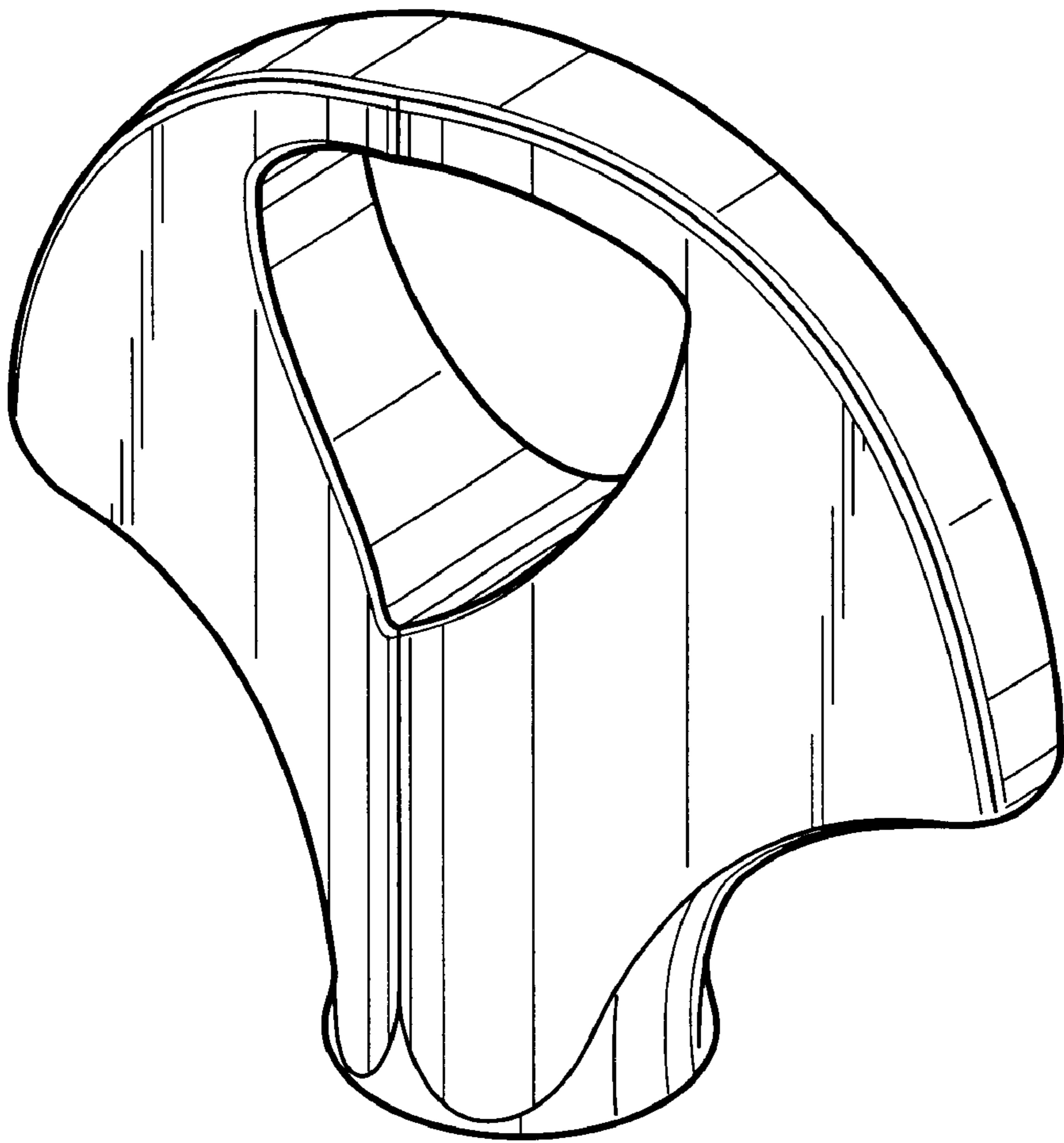


FIG. 1

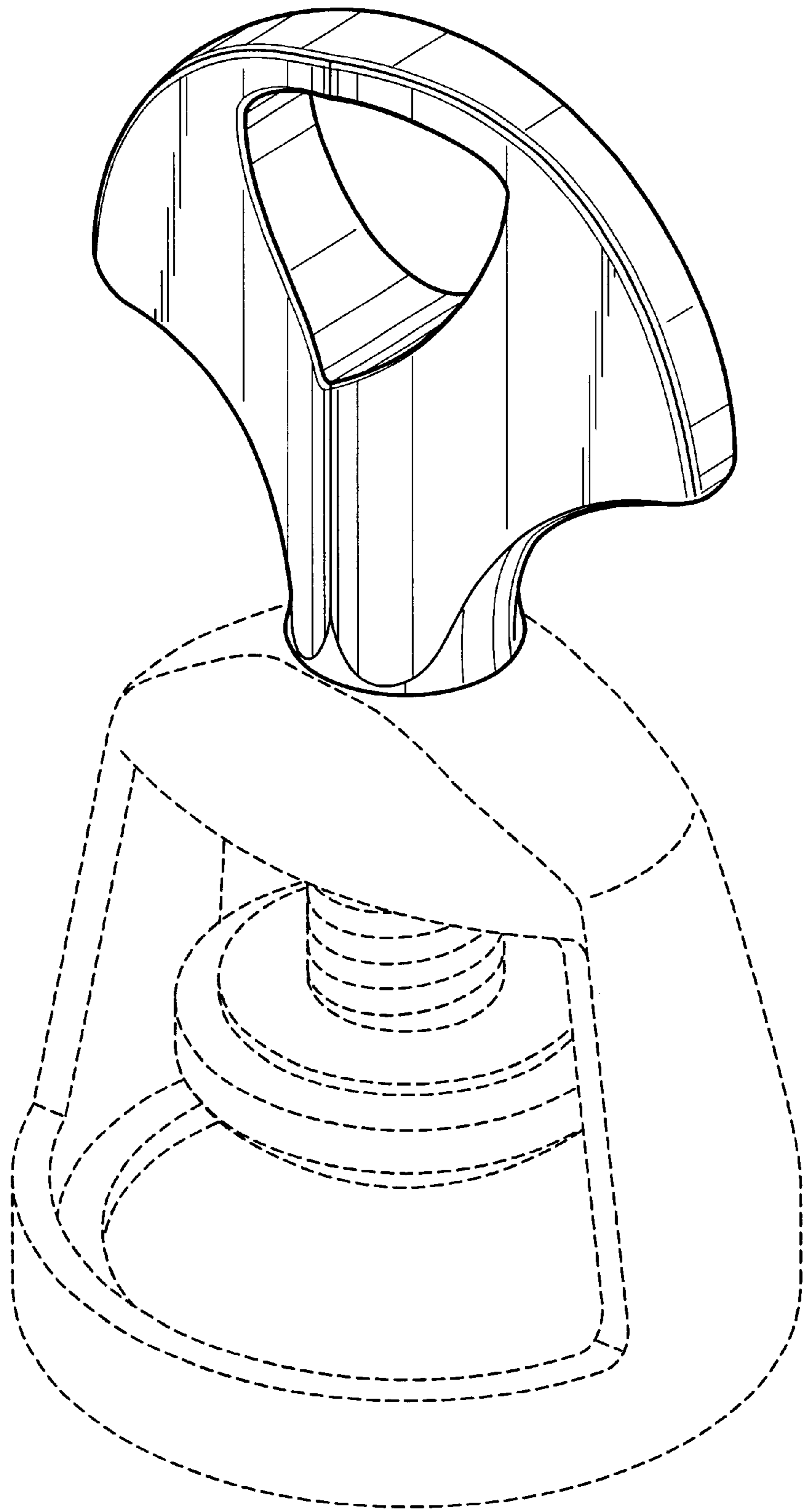


FIG. 2

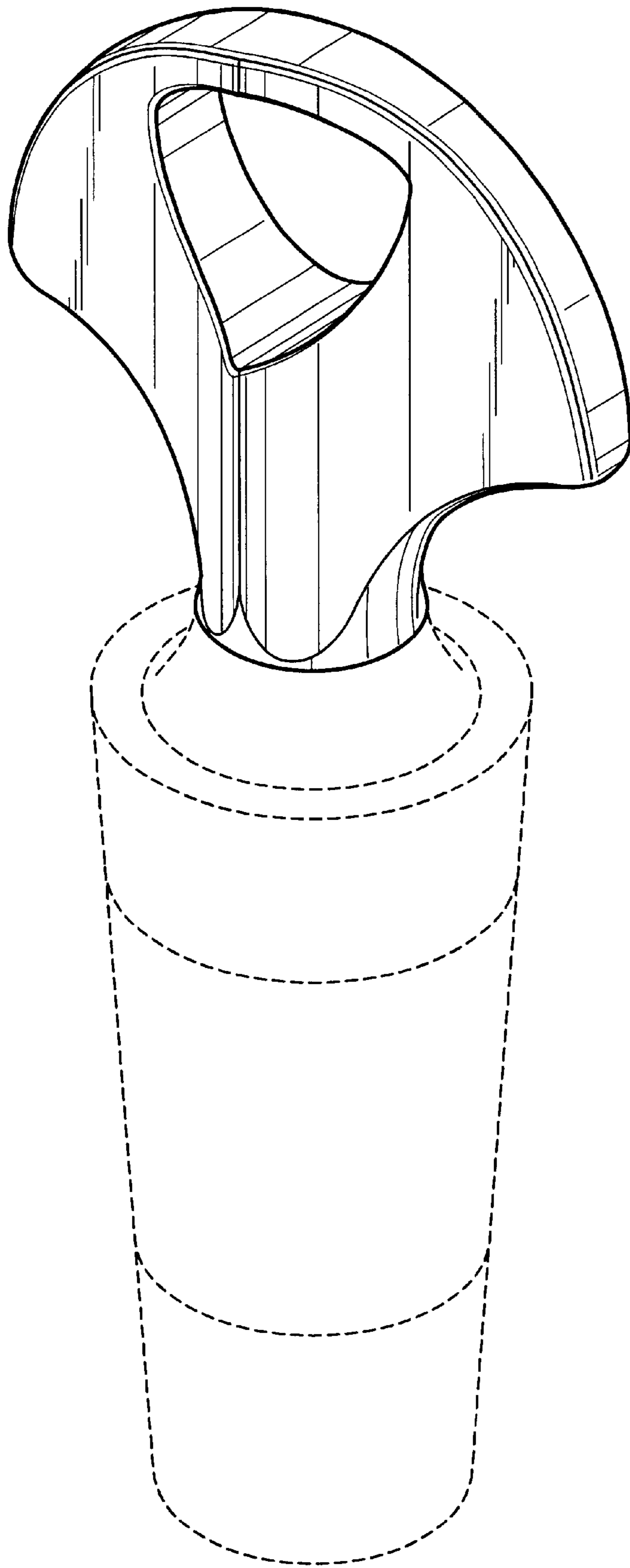


FIG. 3

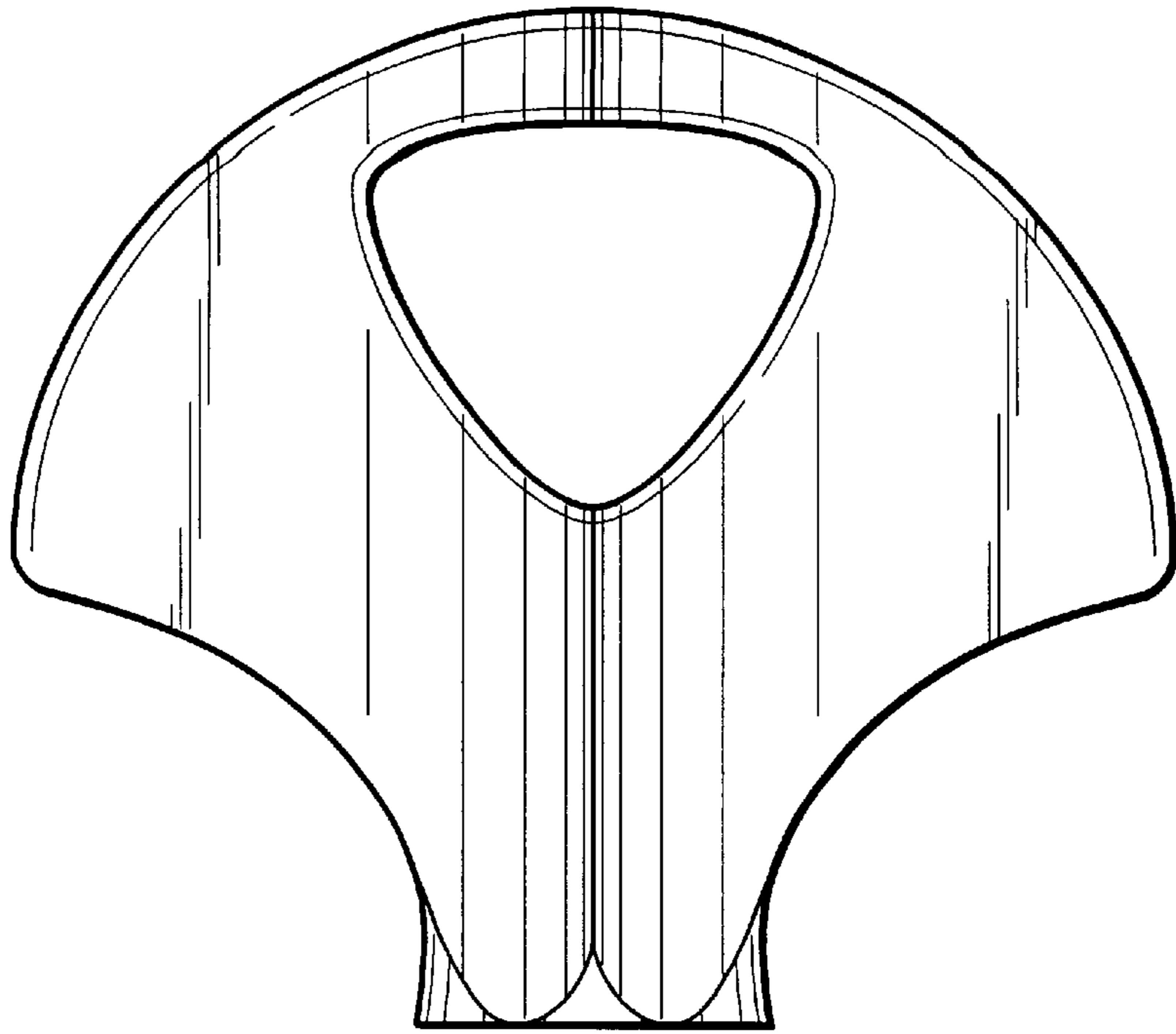


FIG. 4

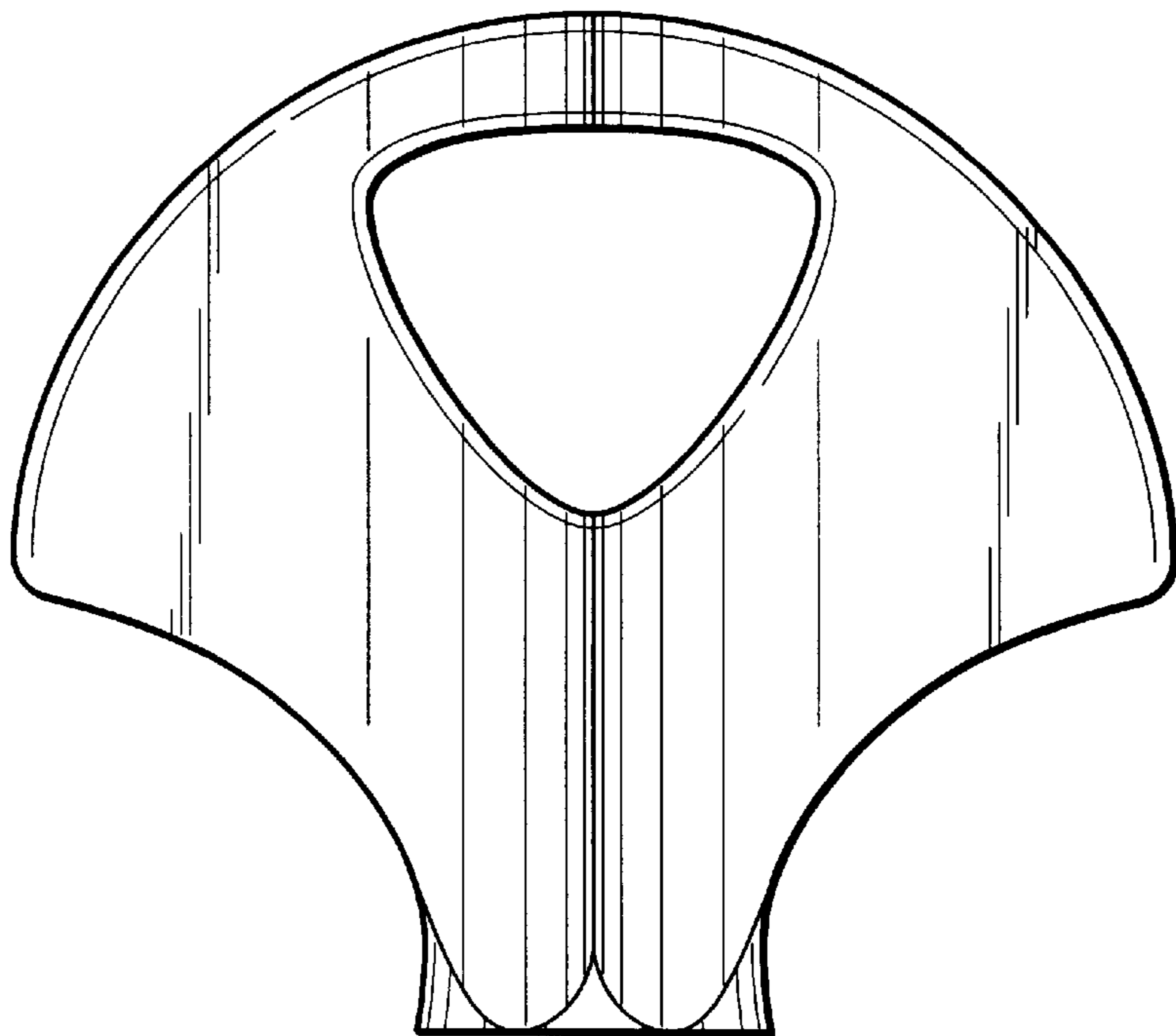


FIG. 5

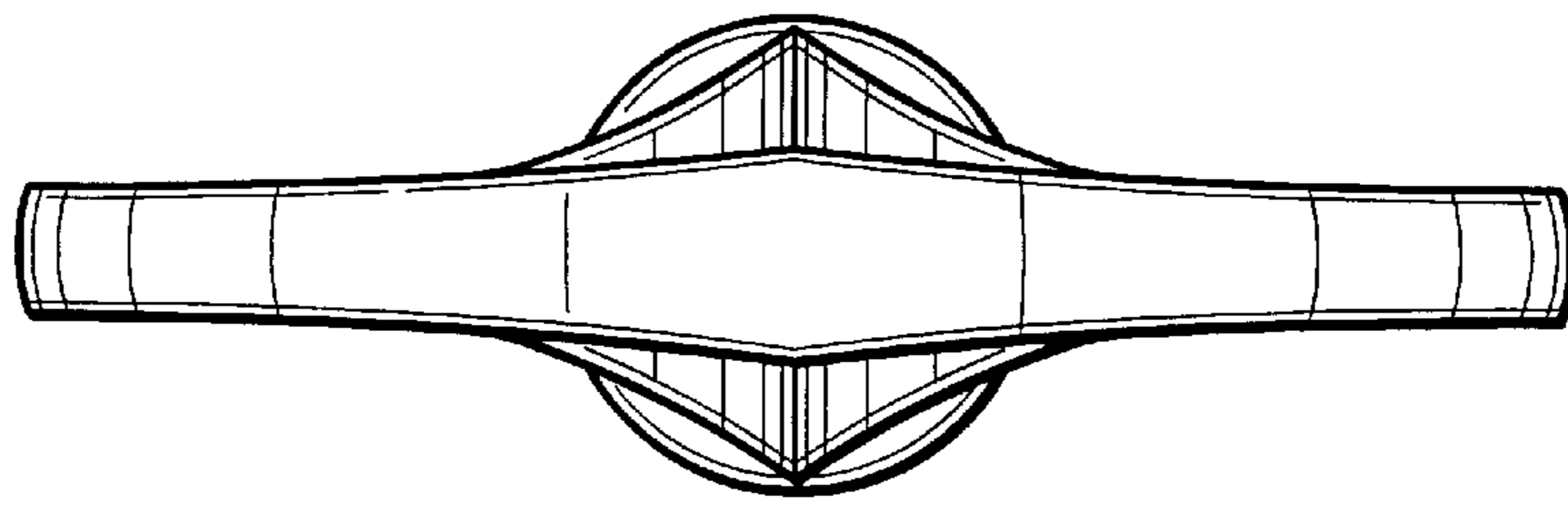


FIG. 6

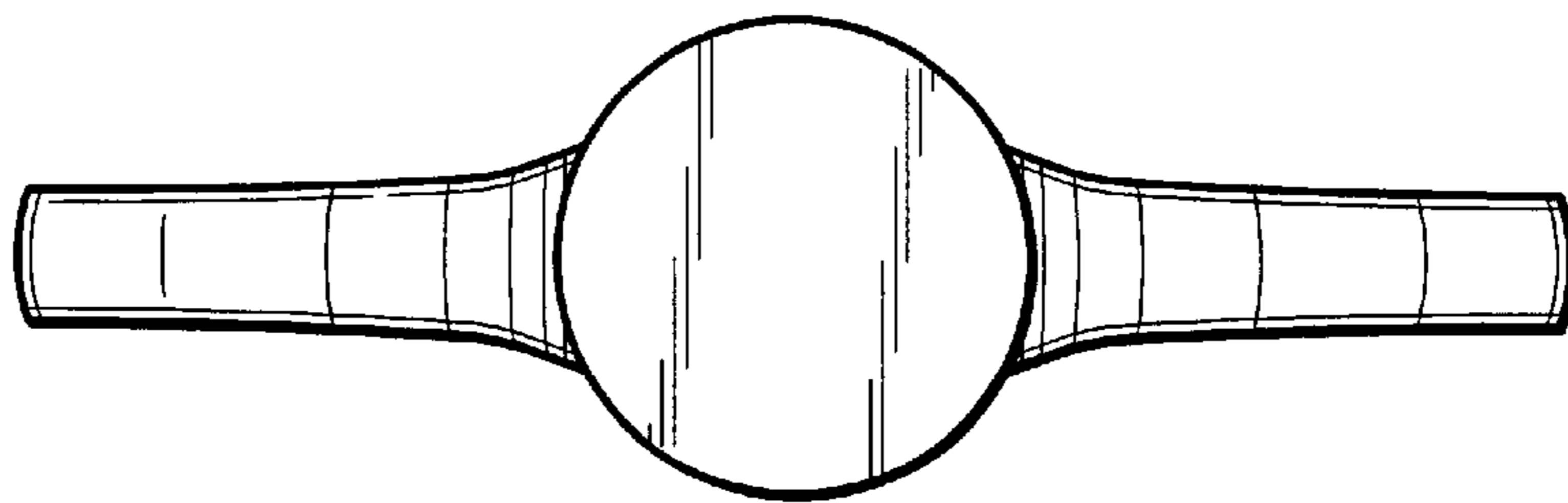


FIG. 7

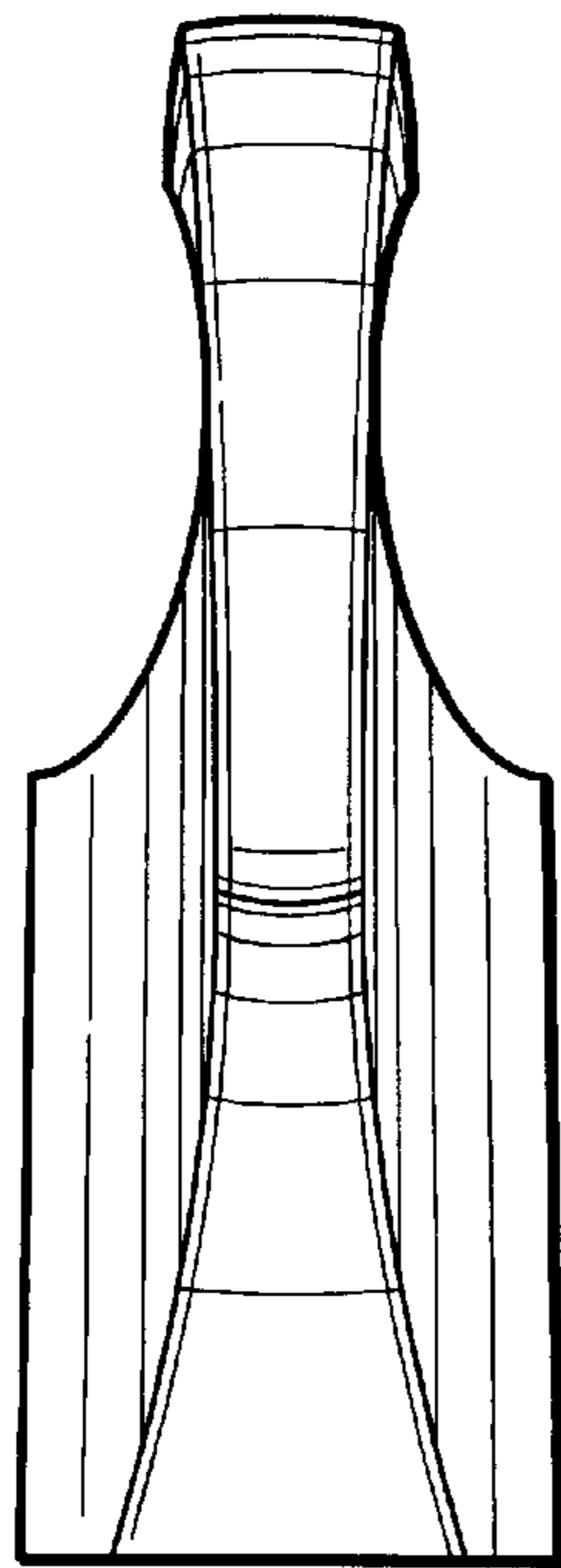


FIG. 8

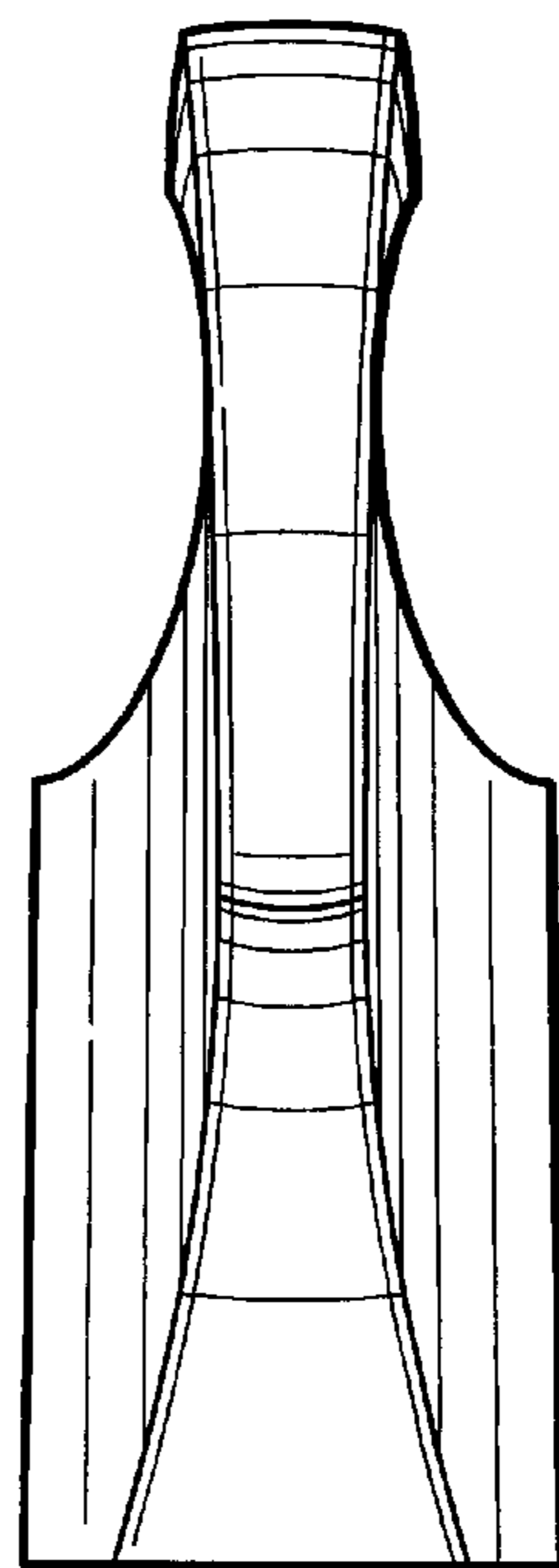


FIG. 9