



US00D456667S

(12) **United States Design Patent**
Veltri et al.

(10) **Patent No.:** **US D456,667 S**

(45) **Date of Patent:** **** May 7, 2002**

(54) **HANDLE SLEEVE**

(75) Inventors: **Joseph A. Veltri**, East Dundee;
Richard L. Sassone, Elk Grove
Village; **Norman J. Hendle, Jr.**,
Roselle, all of IL (US)

(73) Assignee: **World Kitchen, Inc.**, Elmira, NY (US)

(**) Term: **14 Years**

(21) Appl. No.: **29/135,597**

(22) Filed: **Jan. 12, 2001**

(51) **LOC (7) Cl.** **07-02**

(52) **U.S. Cl.** **D7/387; D7/401.2; D7/395**

(58) **Field of Search** D7/393-395, 642-664,
D7/681-697, 401.2, 387, 388, 213; 16/110.1,
430, 431, 436; 220/753; 401/3; D29/118,
119

(56) **References Cited**

U.S. PATENT DOCUMENTS

- 1,965,354 A * 7/1934 Patock 220/753
- D156,536 S 12/1949 Keidan
- 4,209,877 A * 7/1980 Colasent 220/753
- D258,861 S * 4/1981 Bratton et al. D7/387
- D342,660 S 12/1993 Chapin
- D361,695 S * 8/1995 Sutker D7/401.2

- 5,623,739 A * 4/1997 Thompson 15/143.1 X
- 5,867,867 A * 2/1999 Kessler 220/753
- D417,121 S * 11/1999 Brunlanyn D7/395

OTHER PUBLICATIONS

Chef's Catalog, Jun. 1997, p. 17, cool-grip hot handle holders from calphalon #4493, bottom, left side.*

* cited by examiner

Primary Examiner—Terry A. Wallace

(74) *Attorney, Agent, or Firm*—Wolf, Greenfield & Sacks, P.C.

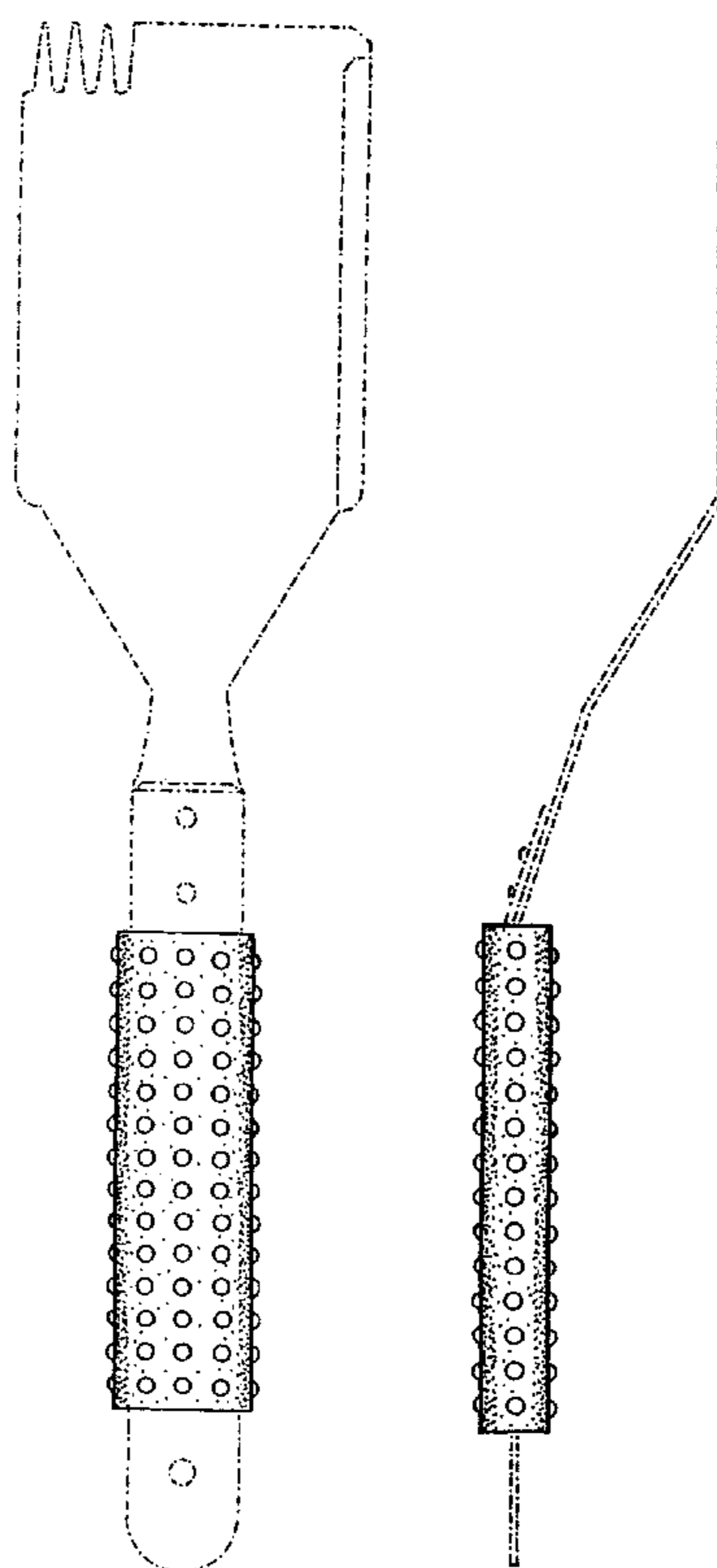
(57) **CLAIM**

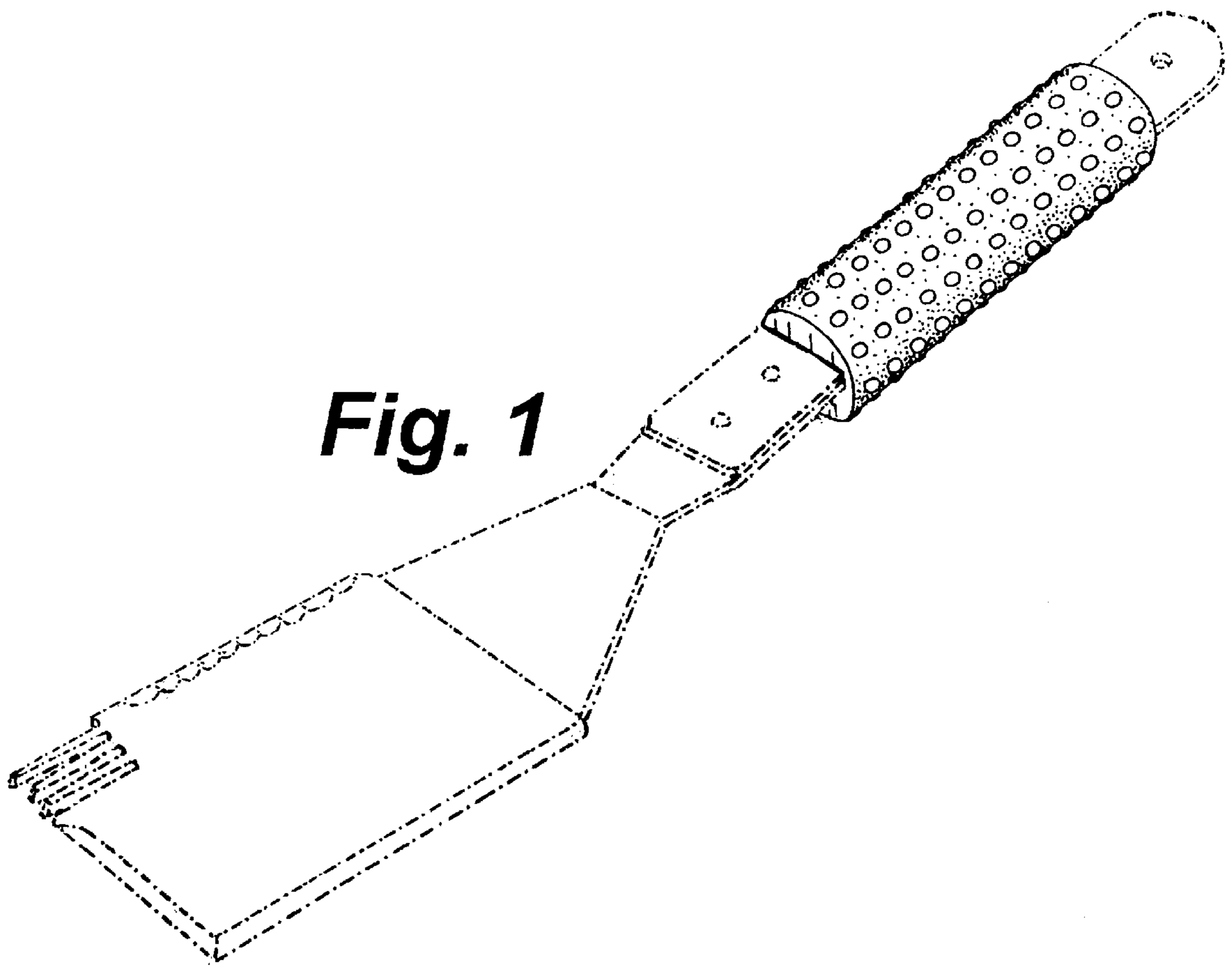
The ornamental design for a handle sleeve, as shown and described.

DESCRIPTION

FIG. 1 is a side, top perspective view of a handle sleeve showing our design, the broken lines are for illustrative purposes only and form no part of the claimed design; FIG. 2 is a top view thereof; FIG. 3 is a bottom view thereof; FIG. 4 is a right view side thereof; FIG. 5 is a left side view thereof; FIG. 6 is a front view thereof; and, FIG. 7 is a rear view thereof.

1 Claim, 3 Drawing Sheets





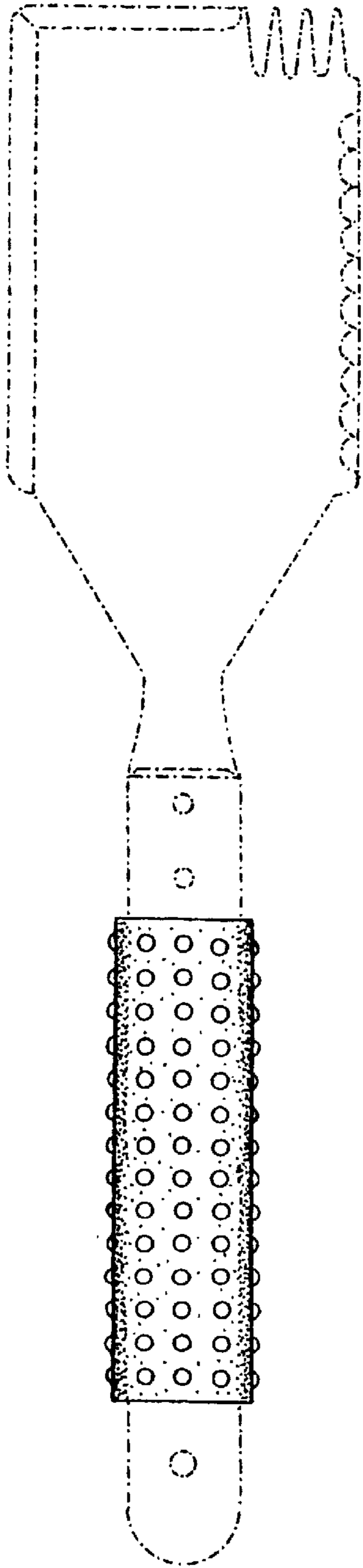


Fig. 2

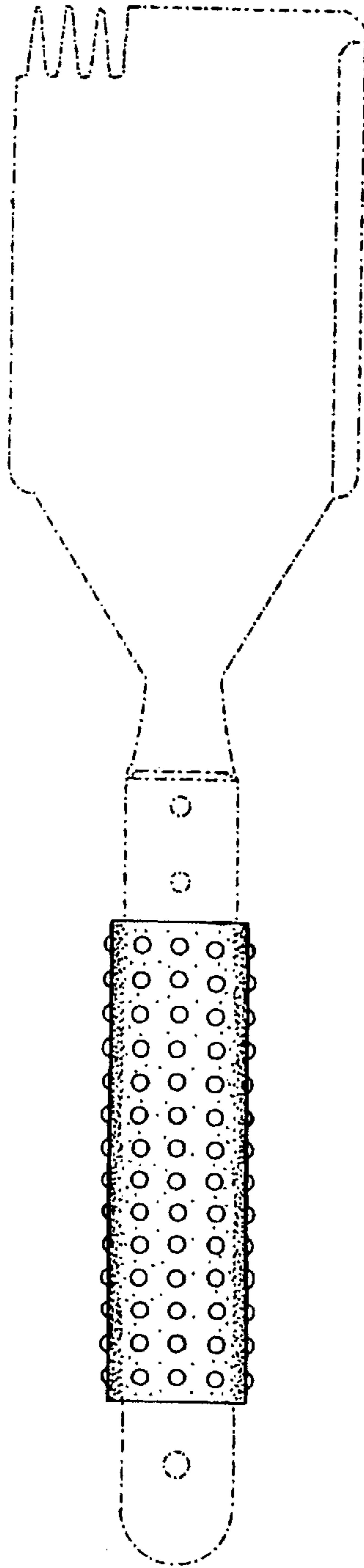


Fig. 3

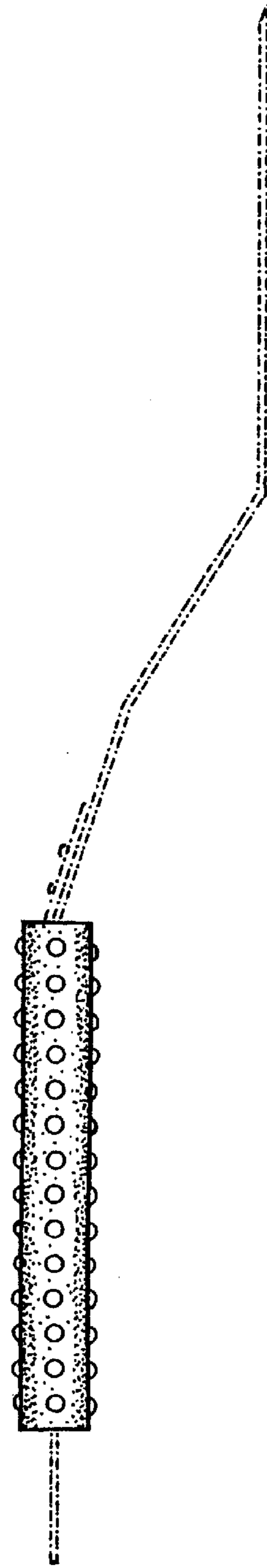


Fig. 4

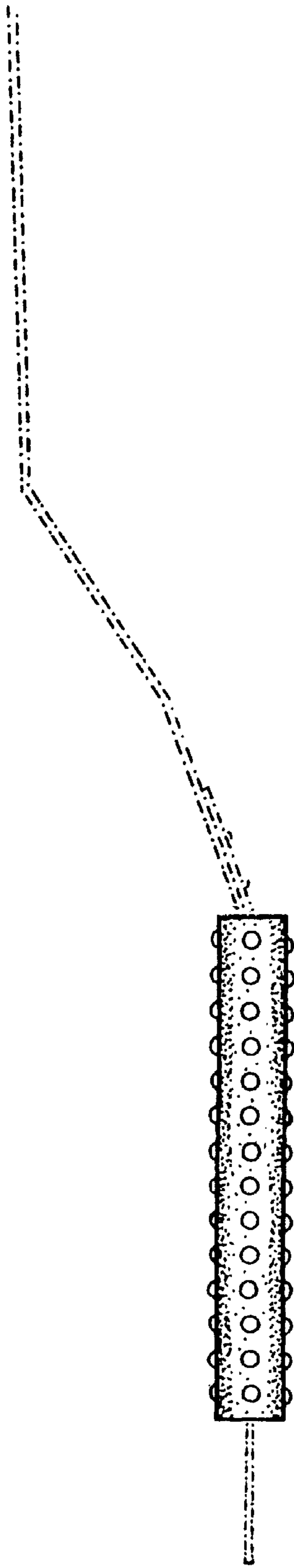


Fig. 5

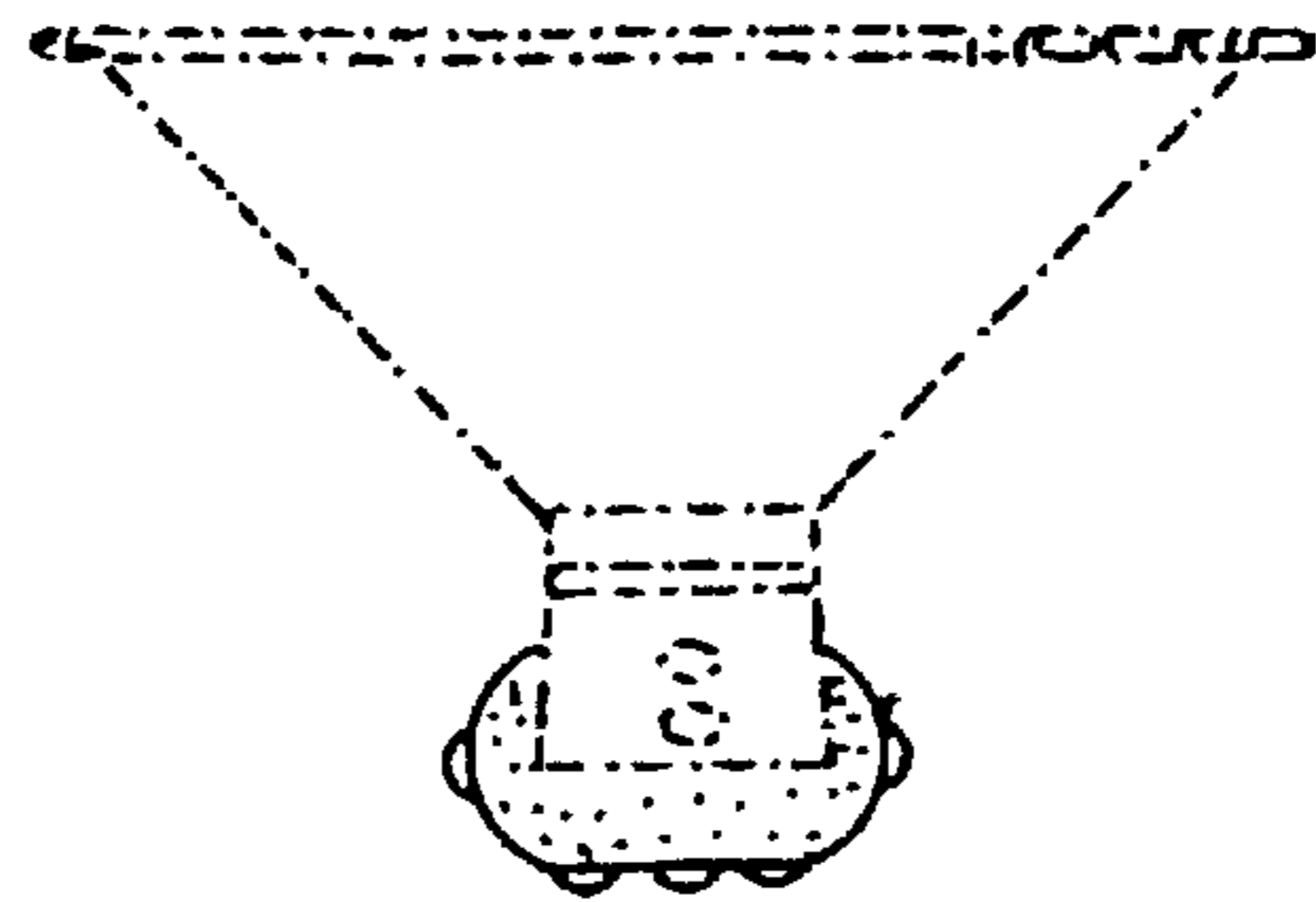


Fig. 6

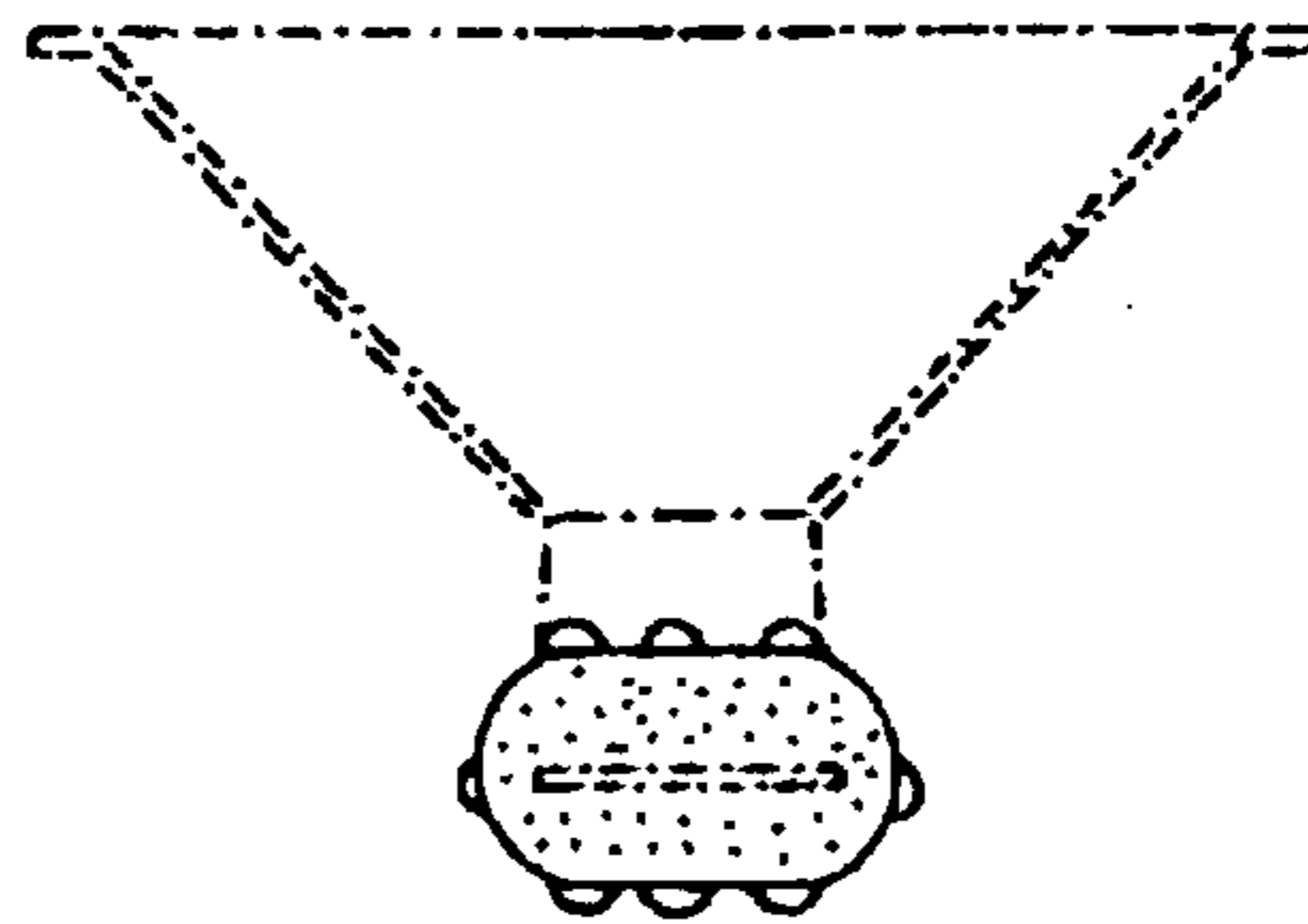


Fig. 7