



US00D456666S

(12) **United States Design Patent**
Monguilod

(10) **Patent No.:** **US D456,666 S**

(45) **Date of Patent:** **** May 7, 2002**

(54) **PORTABLE MICROWAVE OVEN**
(75) Inventor: **Liliana Maria Pereira Monguilod, São Paulo (BR)**
(73) Assignee: **Multibras S/A Eletrodomesticos, Sao Paulo (BR)**
(**) Term: **14 Years**

D300,108 S * 3/1989 Iwahashi D7/351
D321,109 S * 10/1991 Erickson et al. D7/350
D321,110 S * 10/1991 Worrell et al. D7/350
D329,163 S * 9/1992 Chang D7/348
D347,548 S * 6/1994 Boehm et al. D7/352
D363,637 S * 10/1995 Chang D7/358
D379,733 S * 6/1997 Liu et al. D7/337
D419,823 S * 2/2000 Choi D7/352

* cited by examiner

(21) Appl. No.: **29/127,315**
(22) Filed: **Aug. 3, 2000**

Primary Examiner—Ruth McInroy
(74) *Attorney, Agent, or Firm*—Darby & Darby

(30) **Foreign Application Priority Data**

Feb. 4, 2000 (BR) 6000845

(57) **CLAIM**

The ornamental design for a portable microwave oven, as shown and described.

(51) **LOC (7) Cl.** **07-02**
(52) **U.S. Cl.** **D7/351**
(58) **Field of Search** D7/350.1, 350.2,
D7/350.3, 350.4, 351, 402, 405, 323, 352;
126/273 R, 273 A, 275 R, 275 E, 19 M,
21 A; 219/678, 680, 756-758

DESCRIPTION

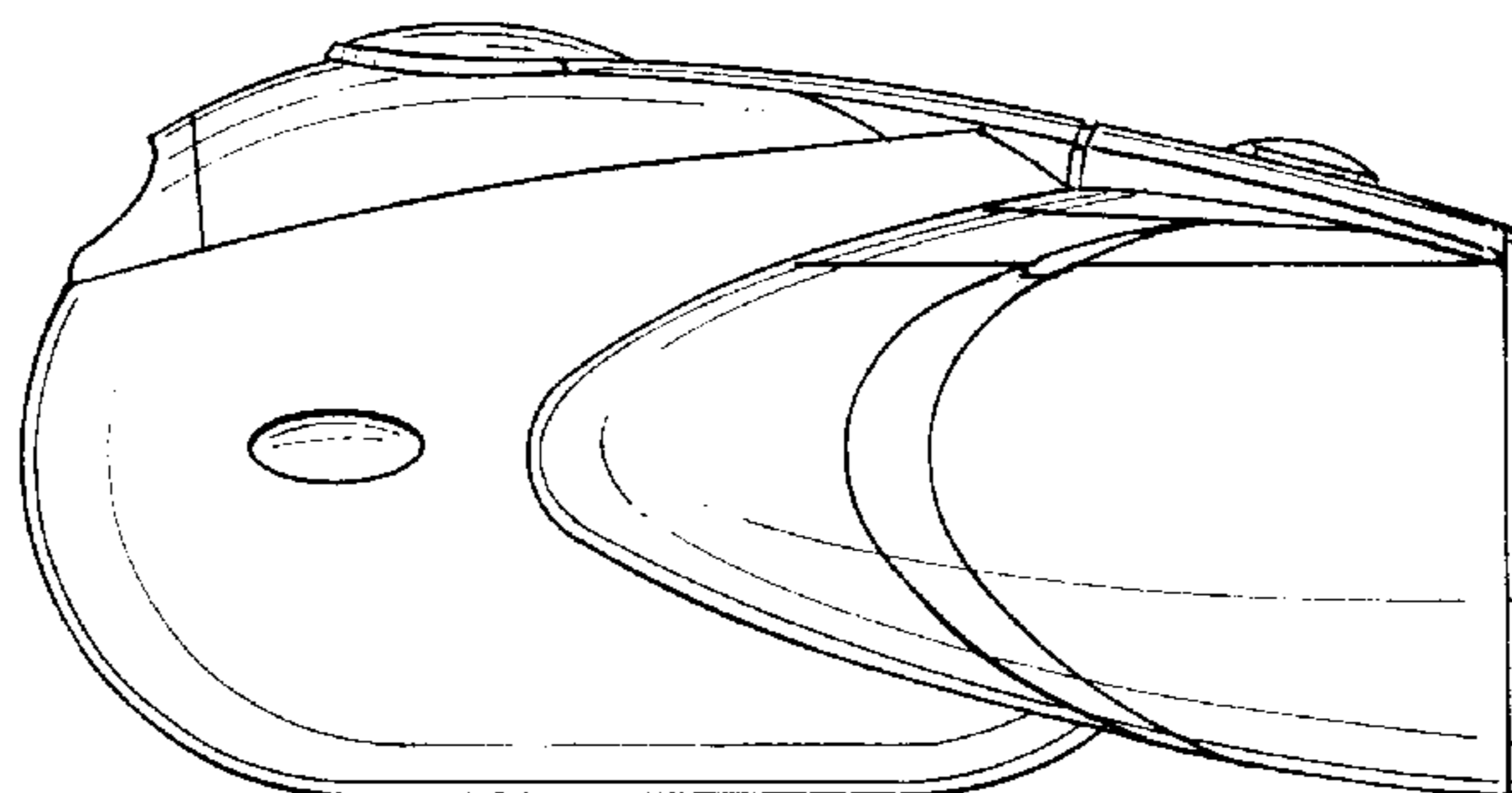
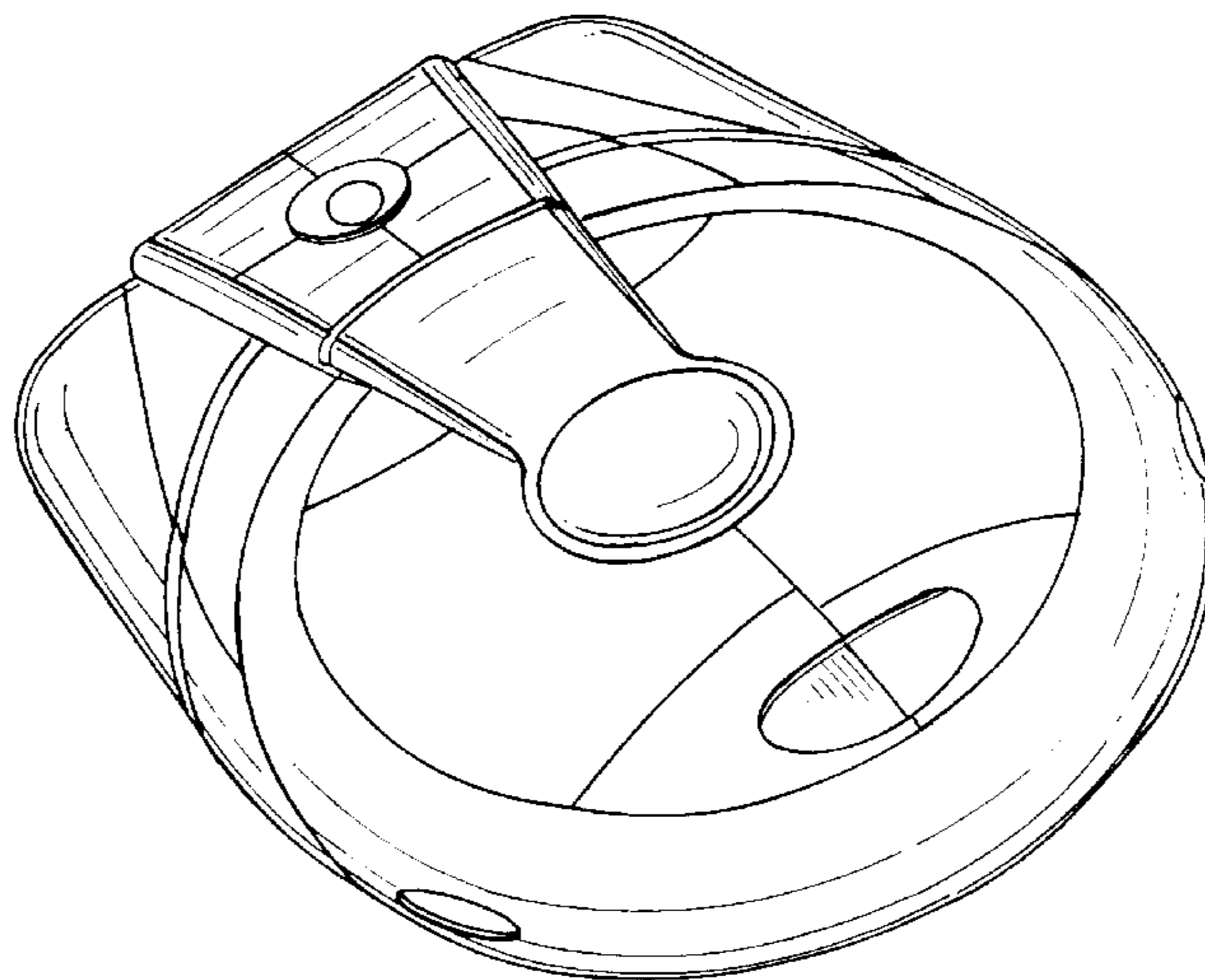
FIG. 1 is a top front view of the portable microwave oven;
FIG. 2 is a front elevational view thereof;
FIG. 3 is a top plan view thereof;
FIG. 4 is a rear elevational view thereof;
FIG. 5 is a left side elevational view thereof, the right side
elevation being a mirror image thereof; and,
FIG. 6 is a bottom plan view thereof.

(56) **References Cited**

U.S. PATENT DOCUMENTS

D216,847 S * 3/1970 Brynge D7/351

1 Claim, 2 Drawing Sheets



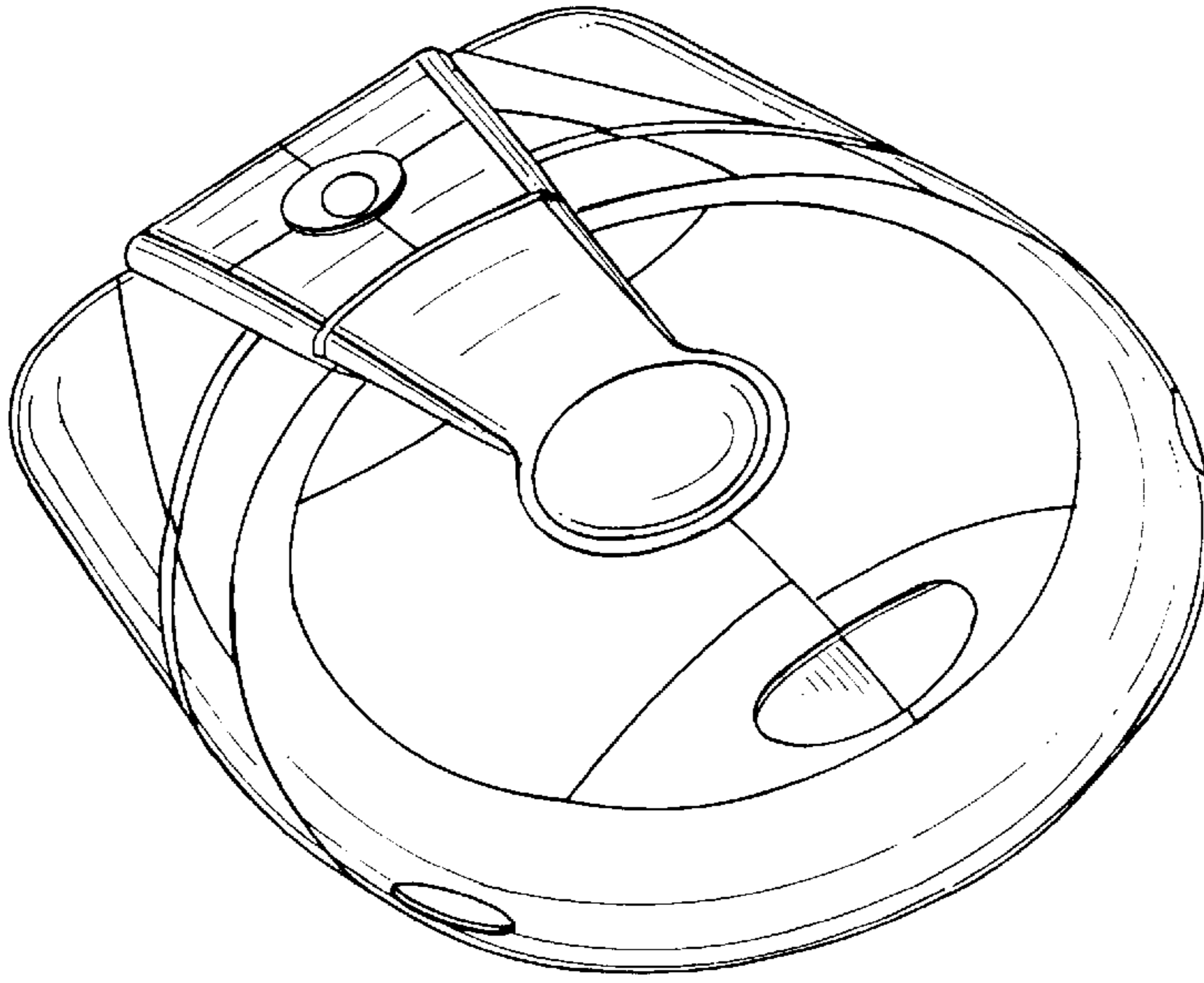


FIG. 1

FIG. 2

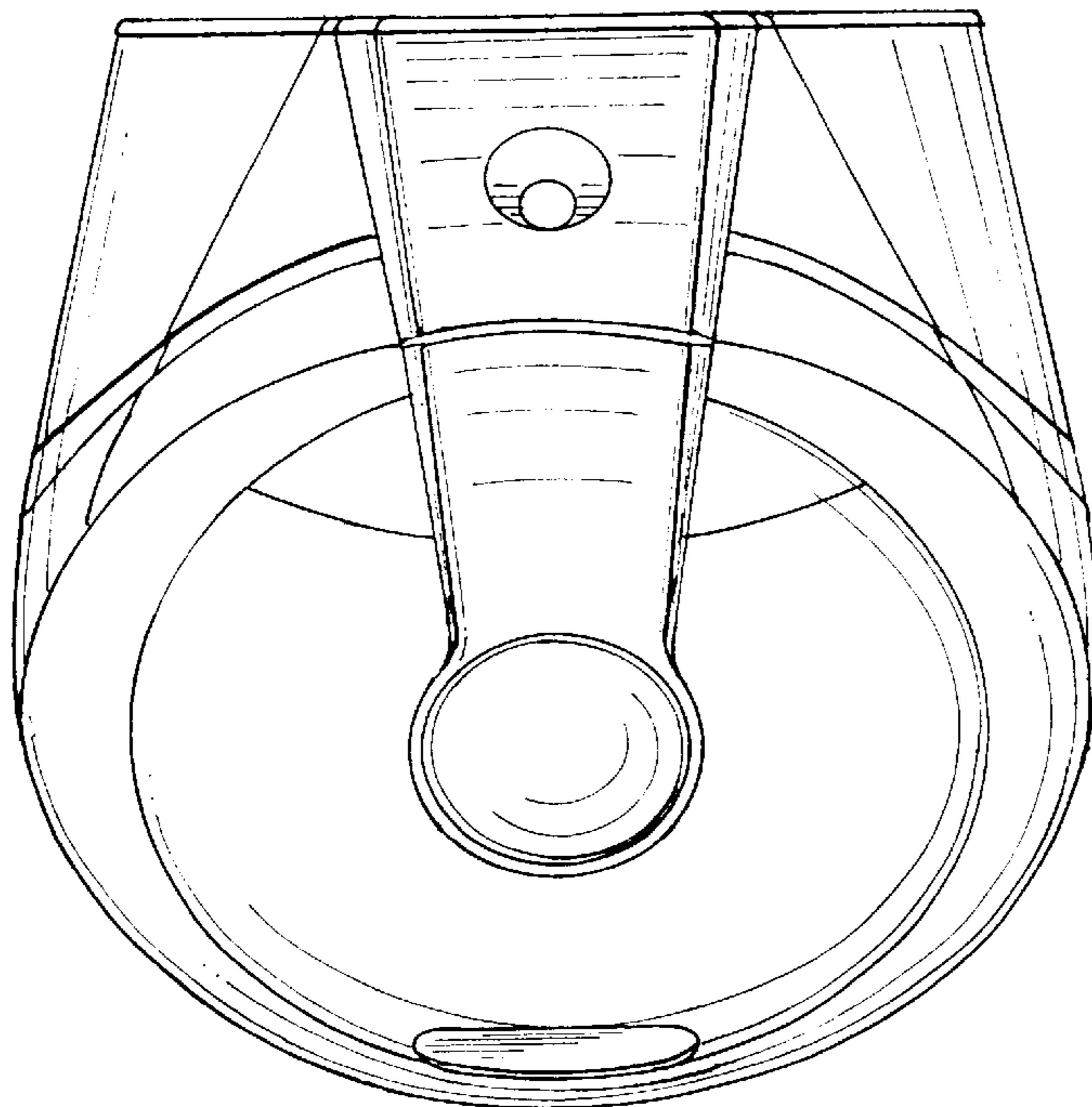
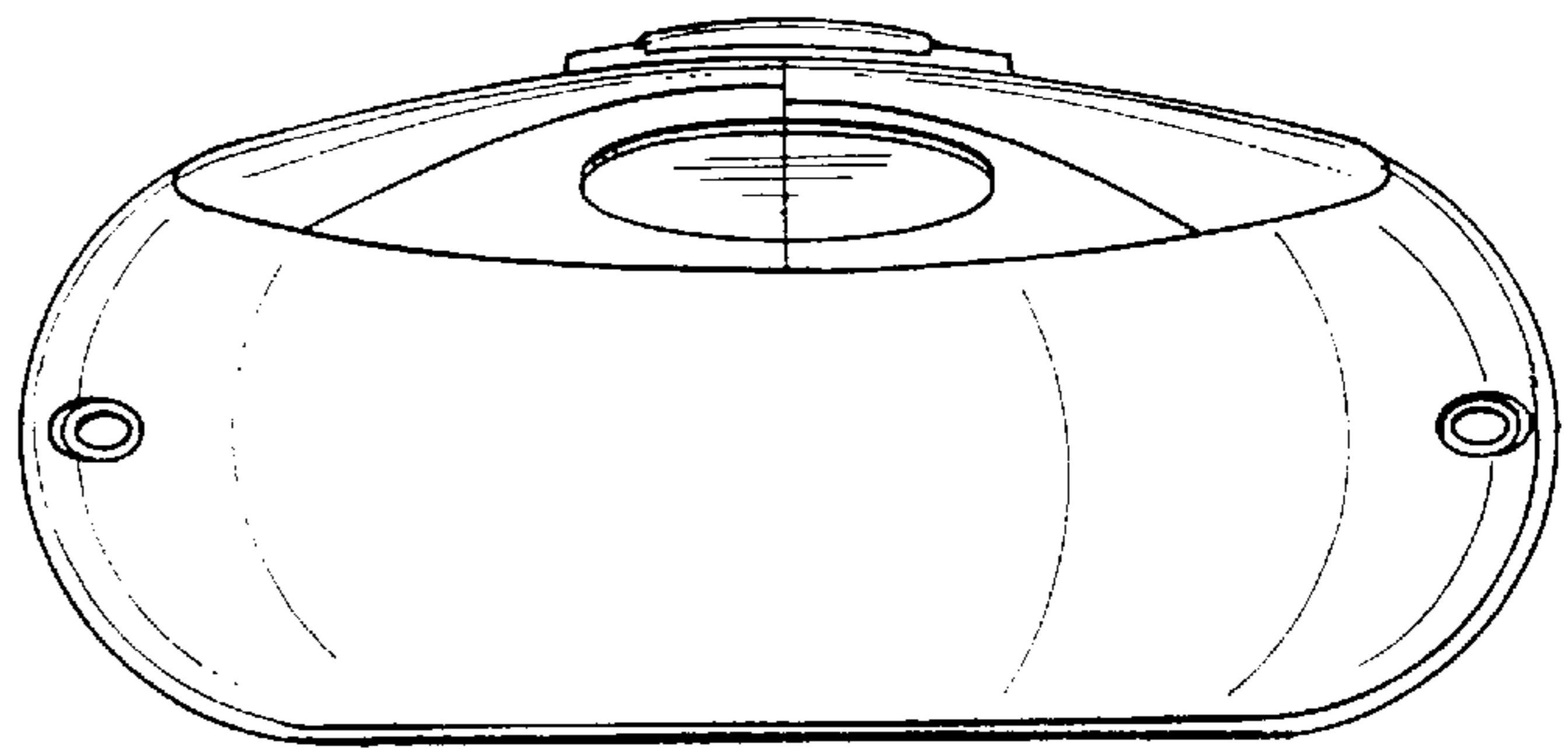


FIG. 3

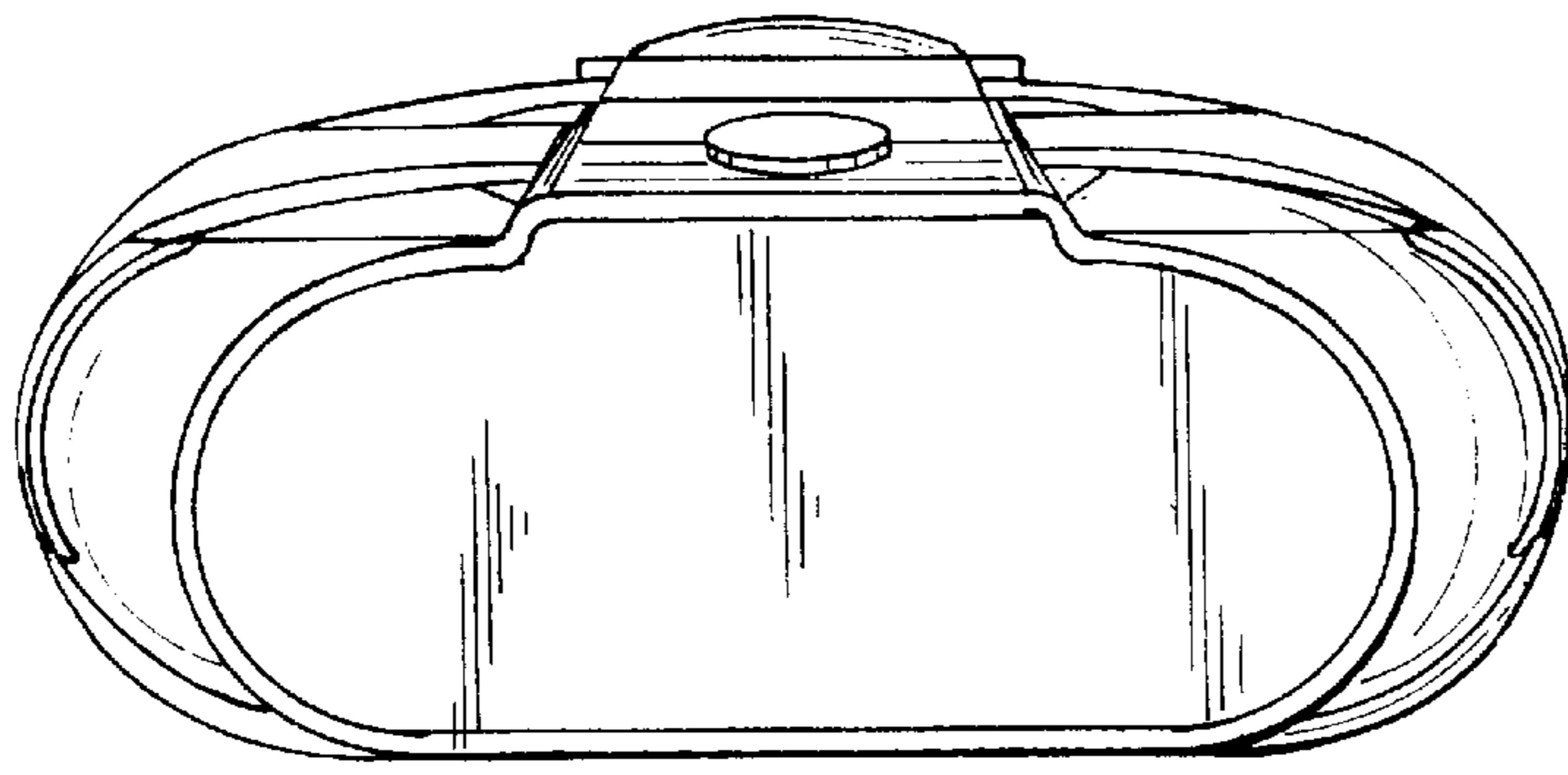


FIG. 4

FIG. 5

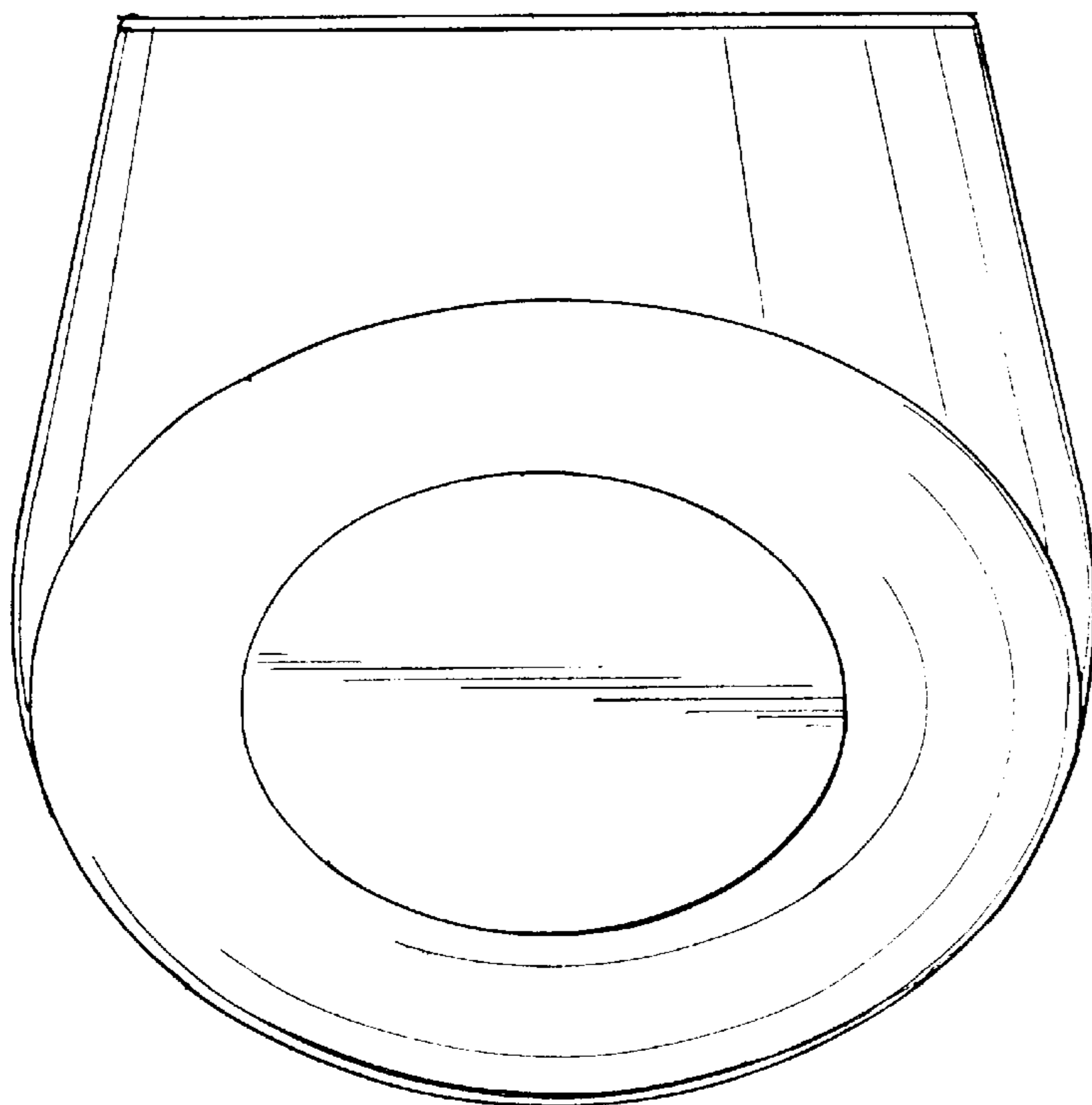
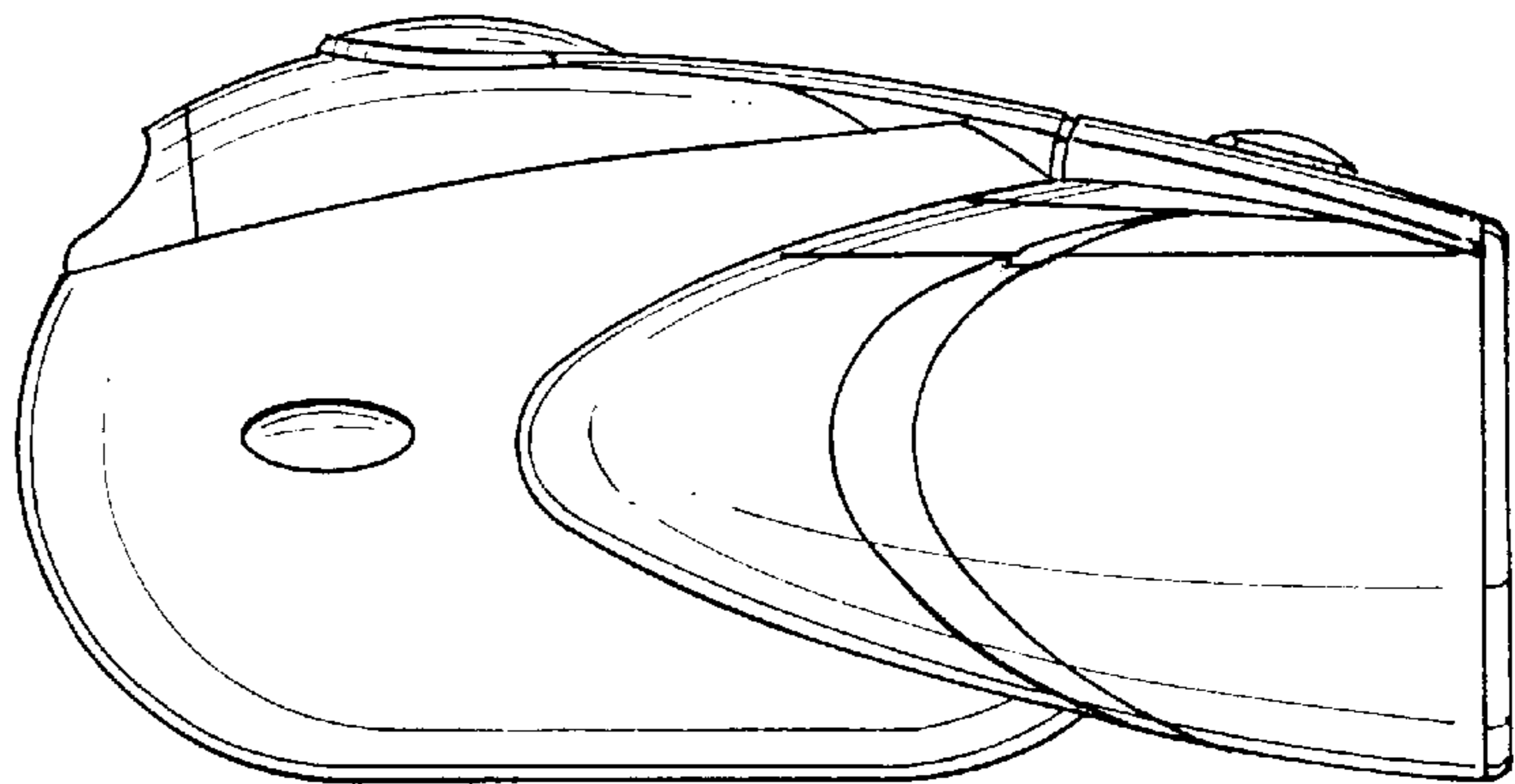


FIG. 6