

US00D456665S

(12) **United States Design Patent**
Wright

(10) **Patent No.:** **US D456,665 S**

(45) **Date of Patent:** **** May 7, 2002**

(54) **PORTABLE ELECTRIC OVEN**
(75) Inventor: **Mark Wright**, Gardnerville, NV (US)
(73) Assignee: **Athena International Inc.**,
Gardnerville, NV (US)
(**) Term: **14 Years**

D411,407 S * 6/1999 Anthony D7/351
D425,359 S * 5/2000 Seiz D7/351
D443,171 S * 6/2001 Chen D7/350
6,248,981 B1 * 6/2001 Check 219/387

* cited by examiner

Primary Examiner—Ruth McInroy
(74) *Attorney, Agent, or Firm*—Mark C. Jacobs

(21) Appl. No.: **29/141,810**
(22) Filed: **May 14, 2001**

(57) **CLAIM**

The ornamental design for a portable electric oven, as shown and described.

(51) **LOC (7) Cl.** **07-02**
(52) **U.S. Cl.** **D7/350.4**
(58) **Field of Search** D7/350.1, 350.2,
D7/350.3, 350.4, 351, 402, 405–406, 332,
337, 354, 361–362, 365–367, 602; D3/276;
126/273 A, 275 R, 275 E, 19 M, 21 R;
219/678, 756–758, 387, 402; 99/DIG. 14,
421 R, 340–341, 350, 421 H, 448; 40/700,
768, 765; 294/142

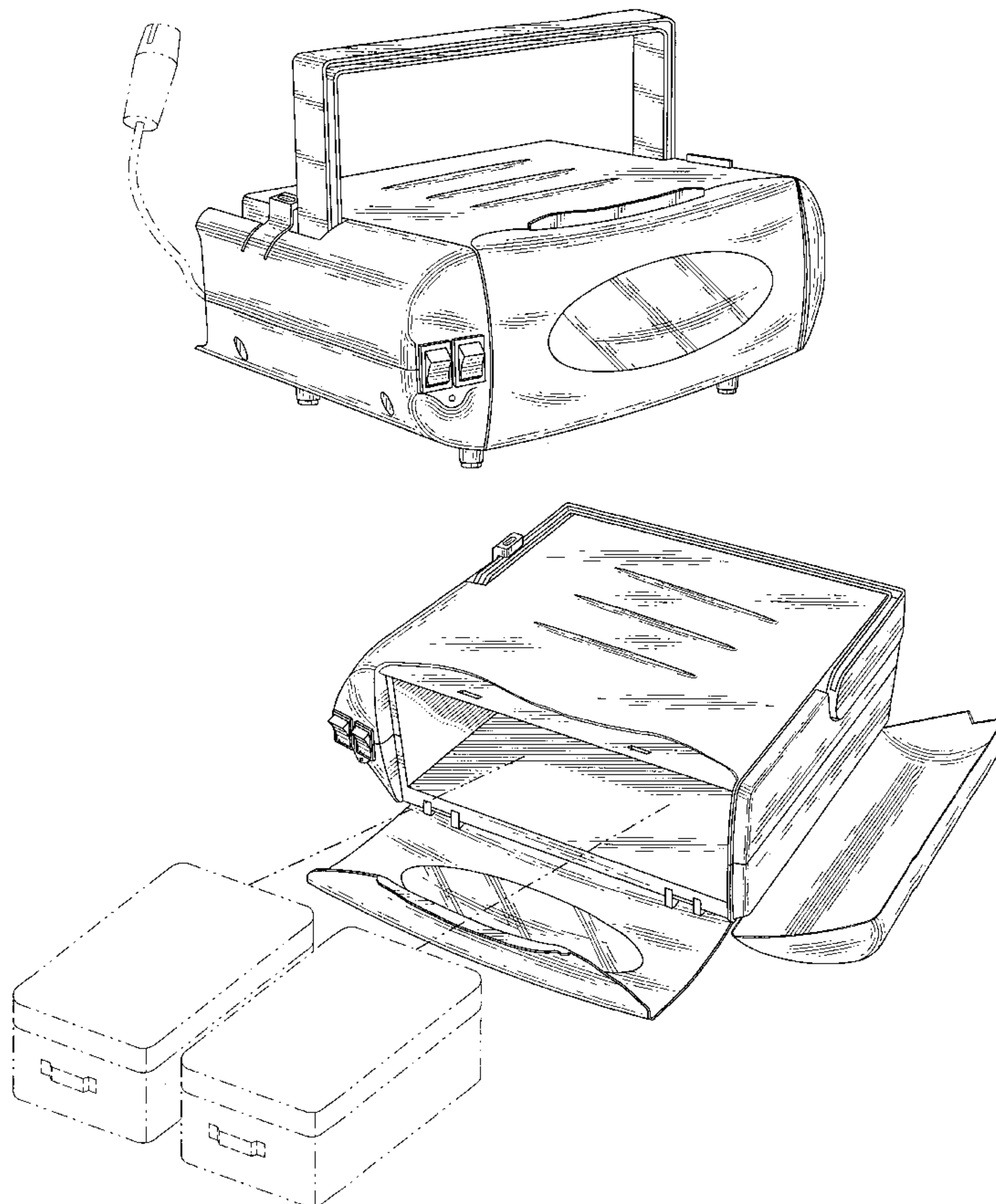
DESCRIPTION

FIG. 1 is a perspective view of a portable electric stove with the handle in an up position showing my new design; FIG. 2 is a top plan view thereof; FIG. 3 is a front elevational view thereof; FIG. 4 is a rear elevational view thereof; FIG. 5 is a right side elevational view thereof; FIG. 6 is a bottom plan view thereof; FIG. 7 is a left side elevational view thereof; and, FIG. 8 is a perspective view thereof with the front and right side doors in an open position. The electric cord shown in FIGS. 1 and 4 and the pans in FIG. 8 are shown for illustrative purposes only and form no part of the claimed design.

(56) **References Cited**
U.S. PATENT DOCUMENTS

4,816,646 A * 3/1989 Solomon et al. 219/387
D334,504 S * 4/1993 Edwards D7/326
5,274,215 A * 12/1993 Jackson 219/439
D352,866 S * 11/1994 Kindley et al. D7/351
5,369,255 A * 11/1994 Sherer et al. 219/725

1 Claim, 4 Drawing Sheets



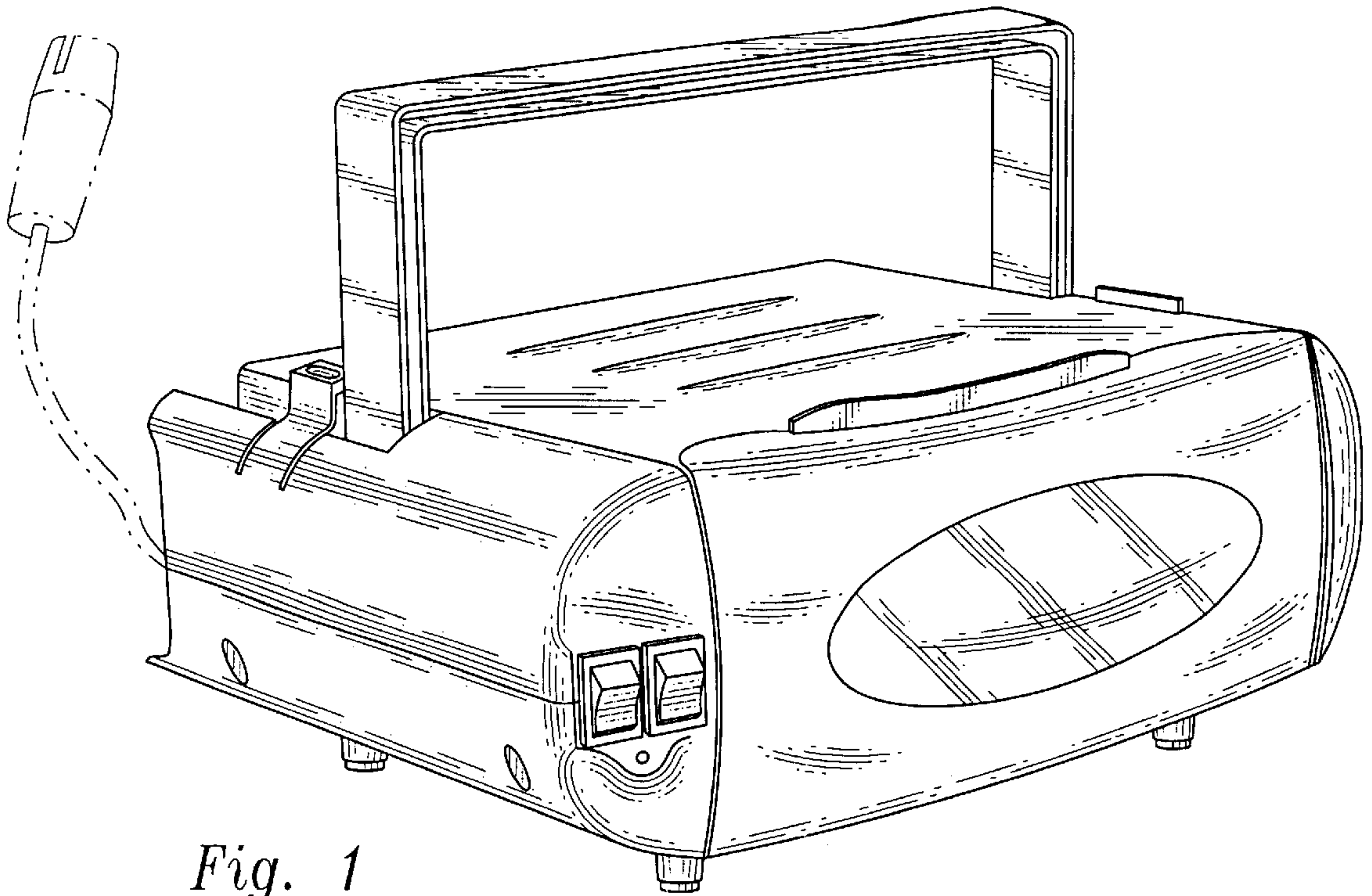


Fig. 1

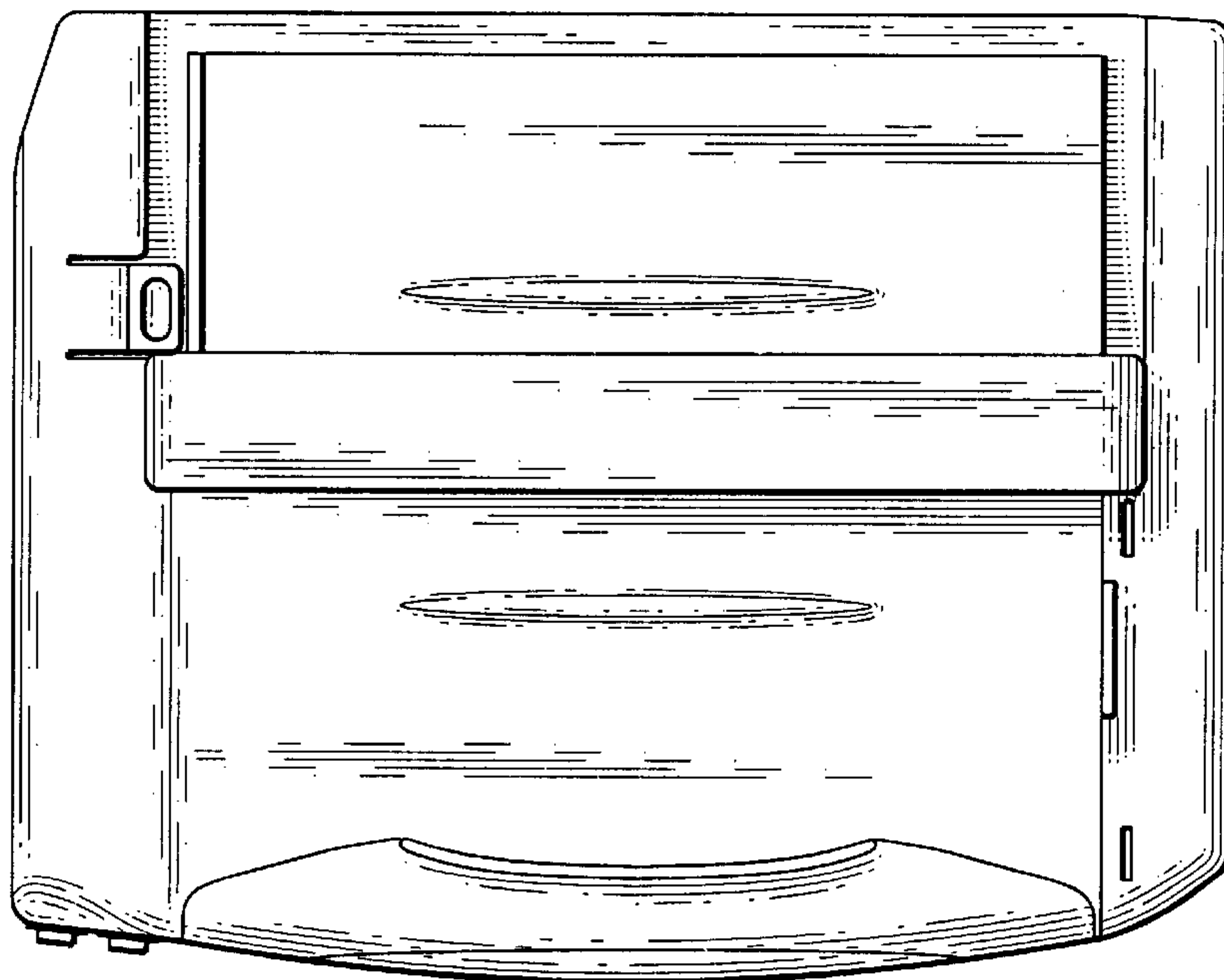


Fig. 2

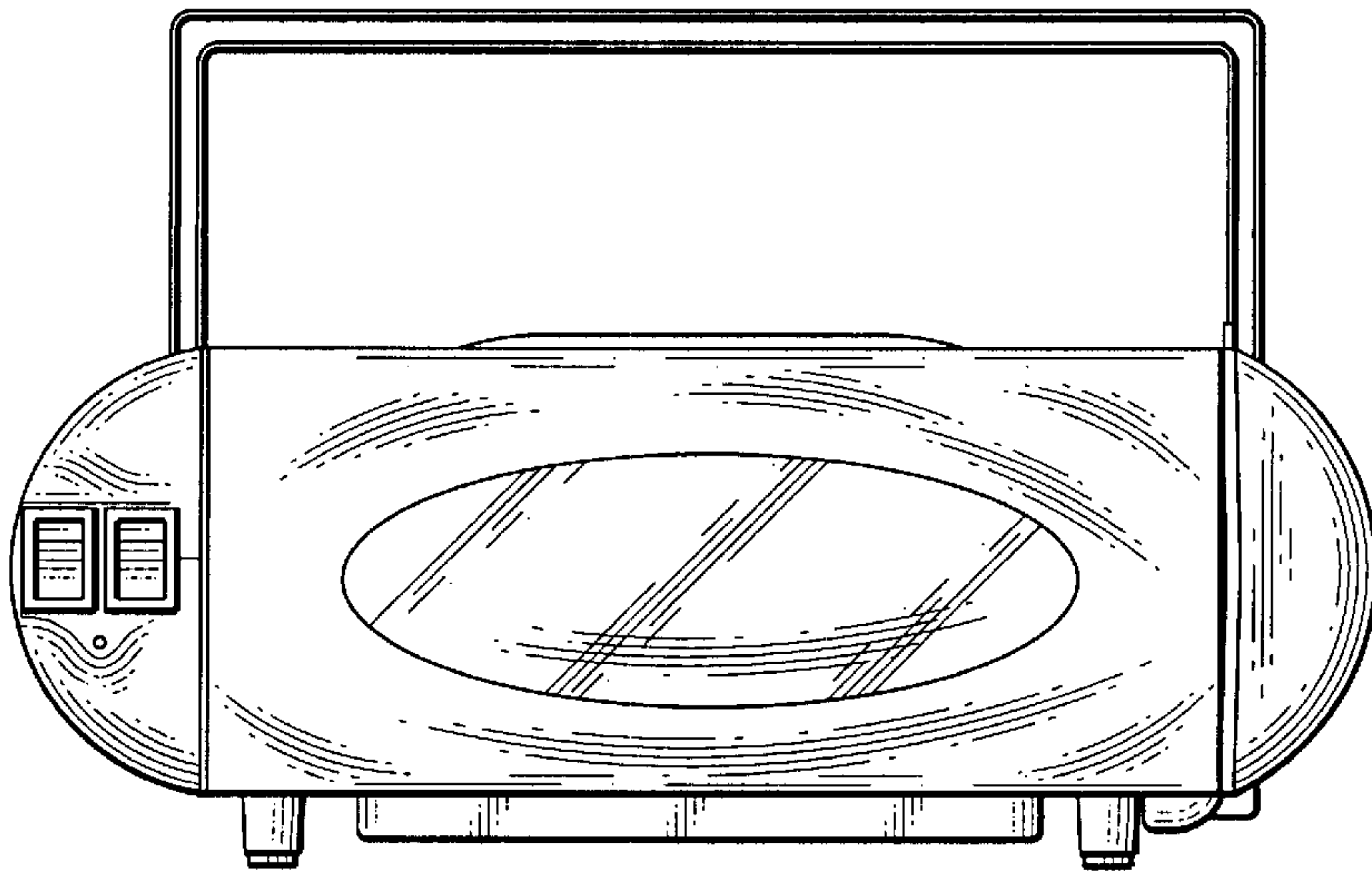


Fig. 3

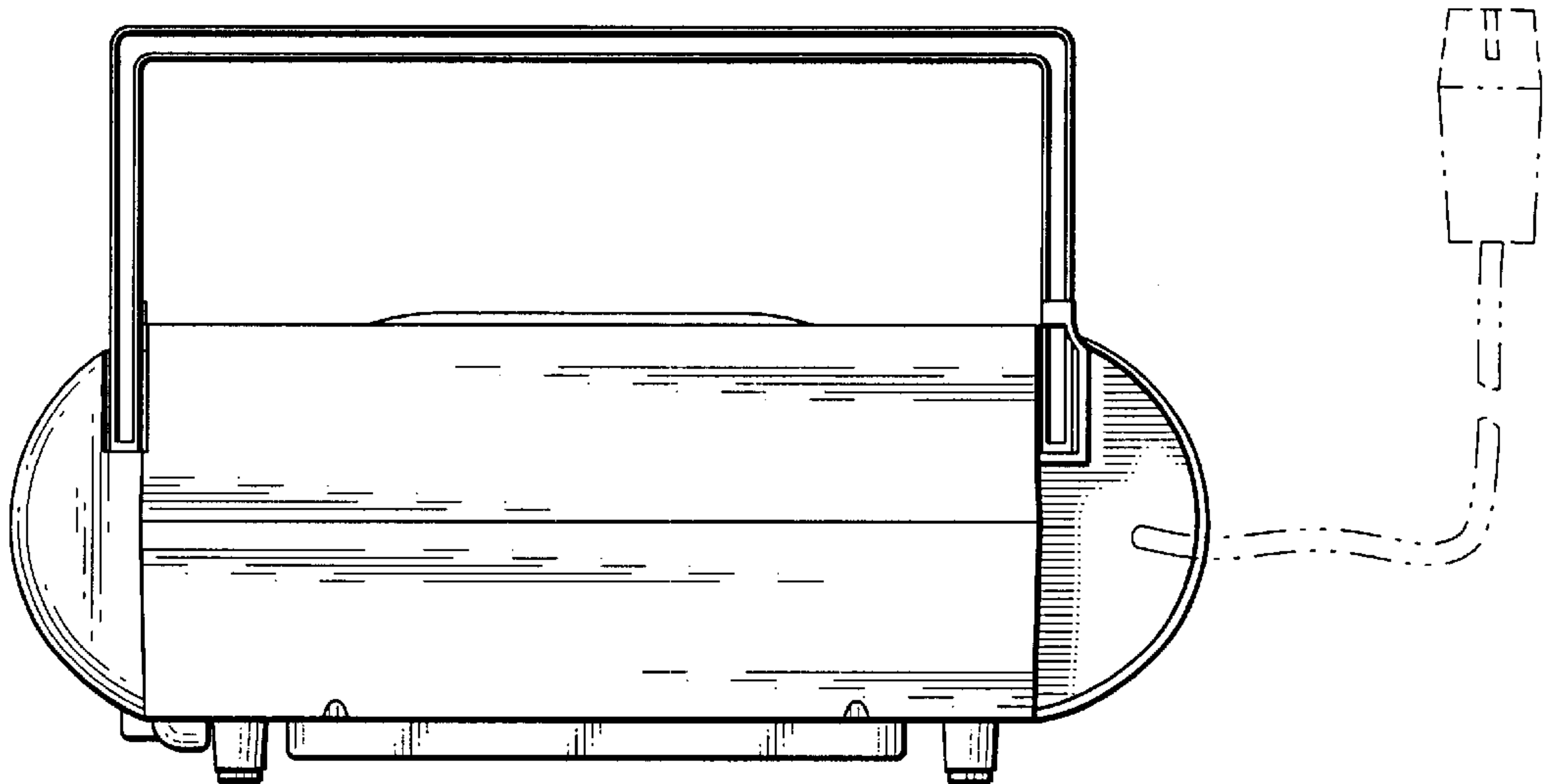


Fig. 4

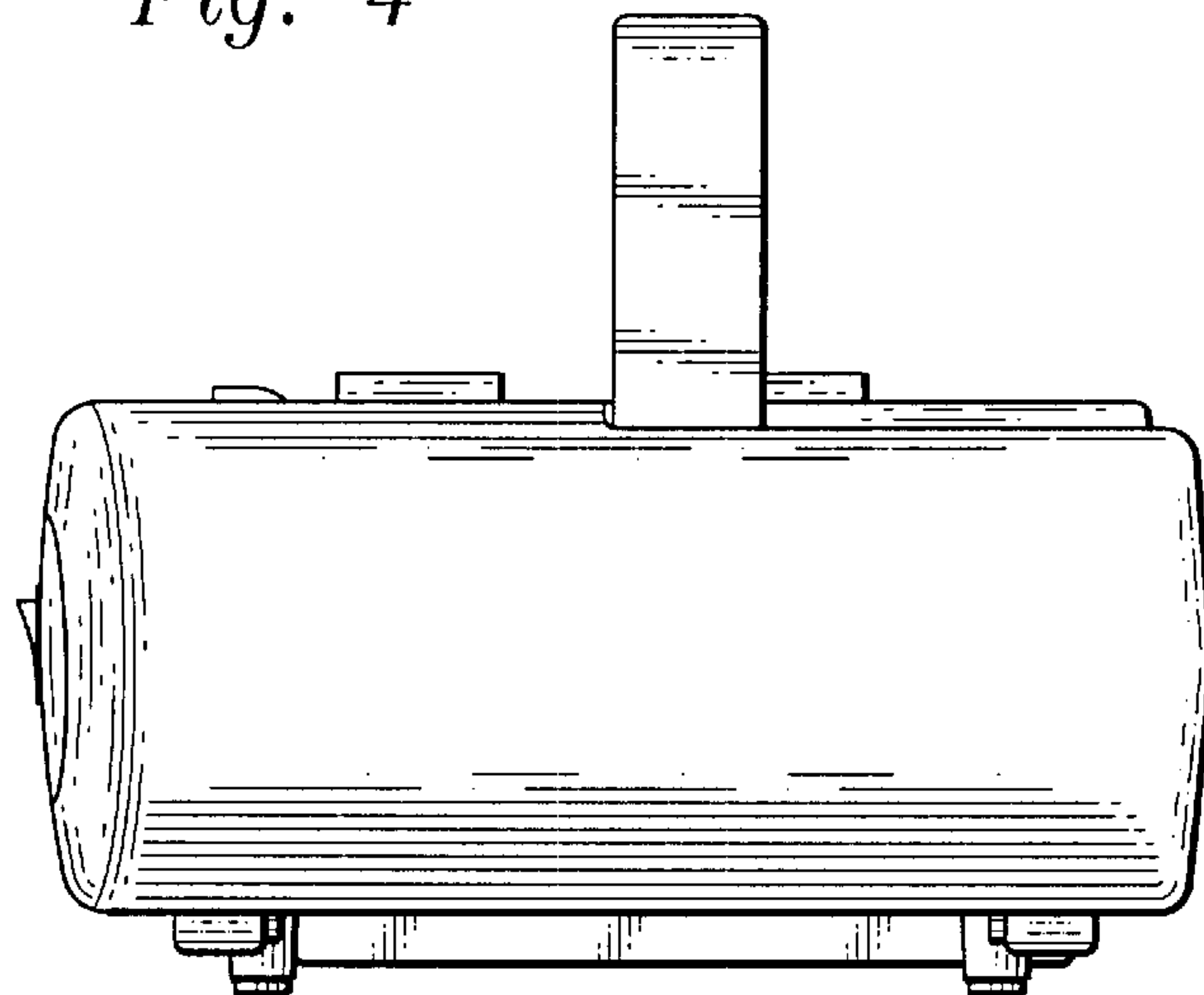


Fig. 5

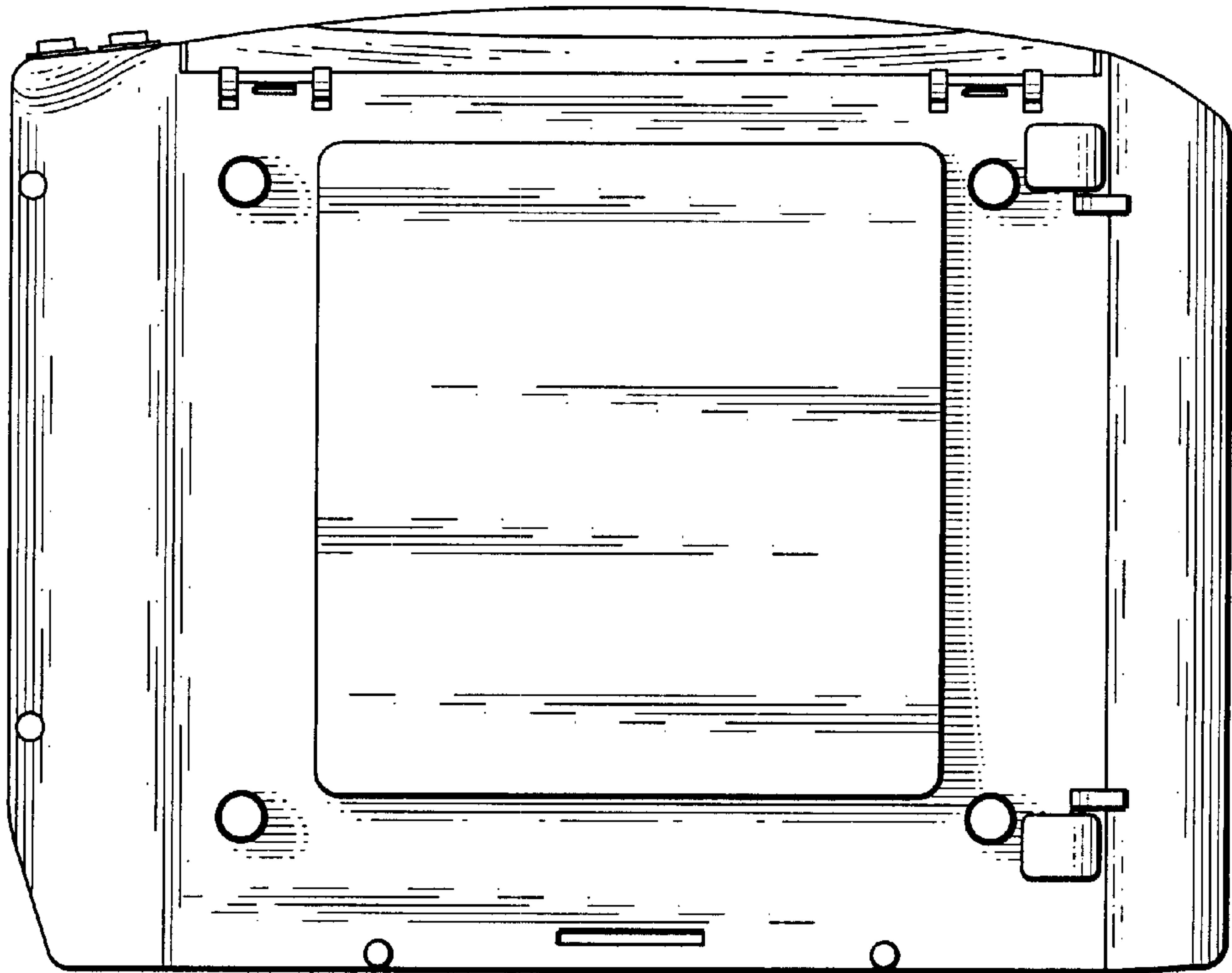


Fig. 6

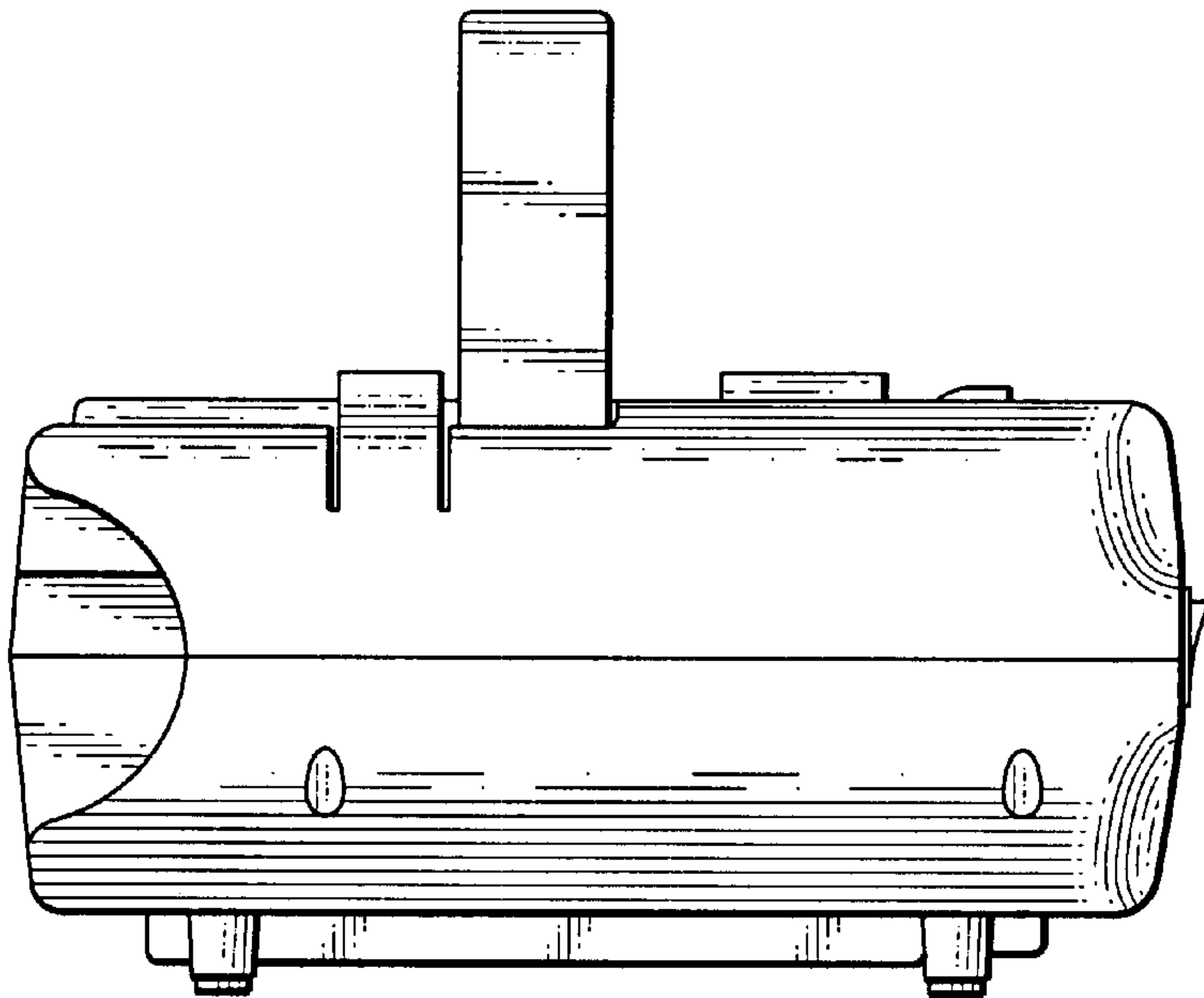


Fig. 7

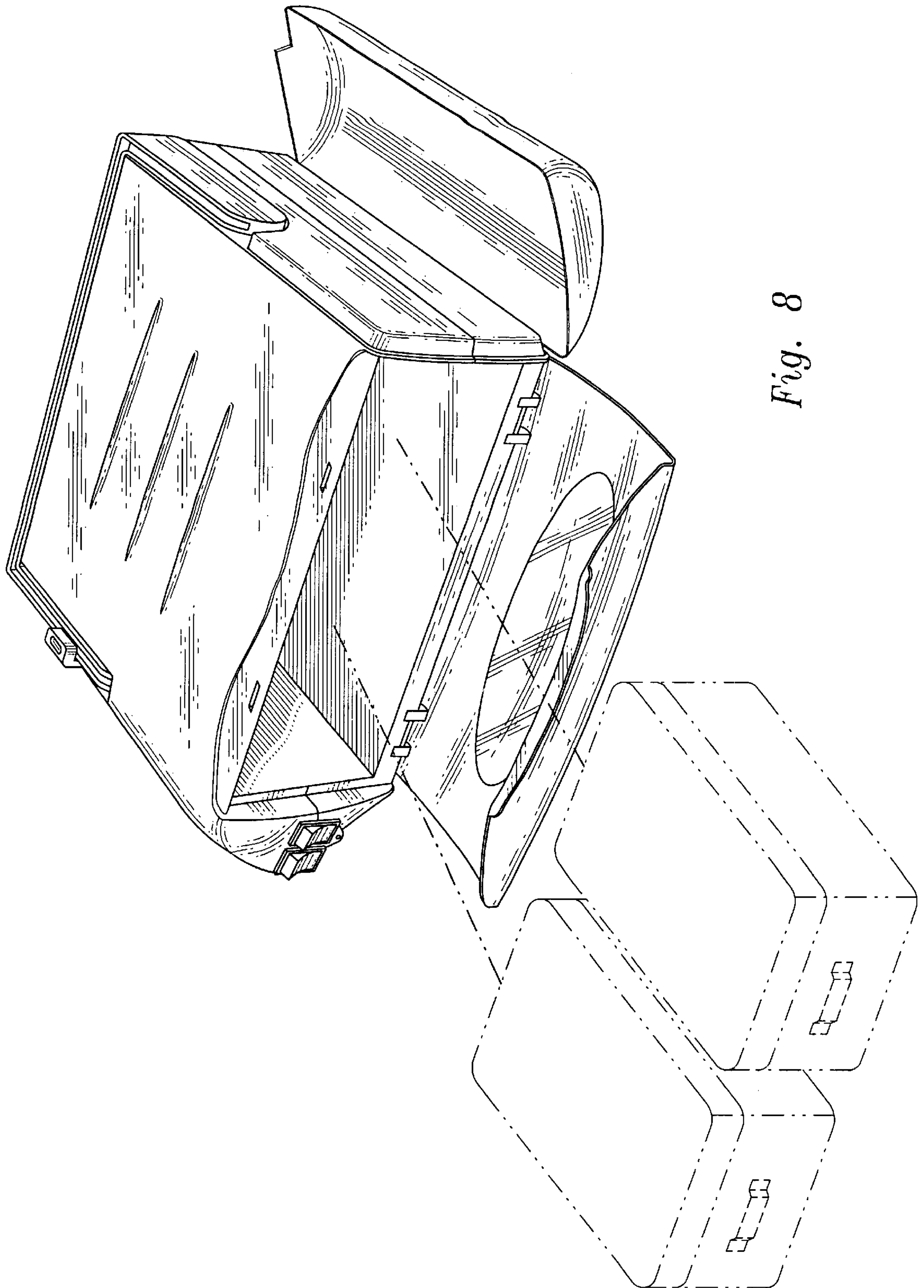


Fig. 8