



US00D456664S

(12) **United States Design Patent**
Chou

(10) **Patent No.:** **US D456,664 S**

(45) **Date of Patent:** **** May 7, 2002**

(54) **BARBECUE GRILL**

(75) **Inventor:** **Hung-Jen Chou, Hsin Tien (TW)**

(73) **Assignee:** **Collins Co., Ltd., Taipei (TW)**

(**) **Term:** **14 Years**

(21) **Appl. No.:** **29/133,864**

(22) **Filed:** **Dec. 12, 2000**

(51) **LOC (7) Cl.** **07-02**

(52) **U.S. Cl.** **D7/334**

(58) **Field of Search** D7/332, 334, 335,
D7/336, 337, 402, 409; 126/25 R, 25 A,
25 AA, 41 R, 29-30, 9 R, 9 B, 4, 6, 506,
519; D23/343, 348, 350, 317, 332, 334-336,
338-339; 99/443, 450, 421 R; 248/156

(56) **References Cited**

U.S. PATENT DOCUMENTS

5,111,802 A * 5/1992 Lin 126/25 R
D381,241 S * 7/1997 Pai D7/334
D409,436 S * 5/1999 Smith D7/334
D414,374 S * 9/1999 Ting D7/334

D424,363 S * 5/2000 Smith D7/334
D426,419 S * 6/2000 Kuo D7/334
D428,760 S * 8/2000 Huang D7/334
D435,387 S * 12/2000 Pai D7/334

* cited by examiner

Primary Examiner—Ruth McInroy

(74) *Attorney, Agent, or Firm*—Rosenberg, Klein & Lee

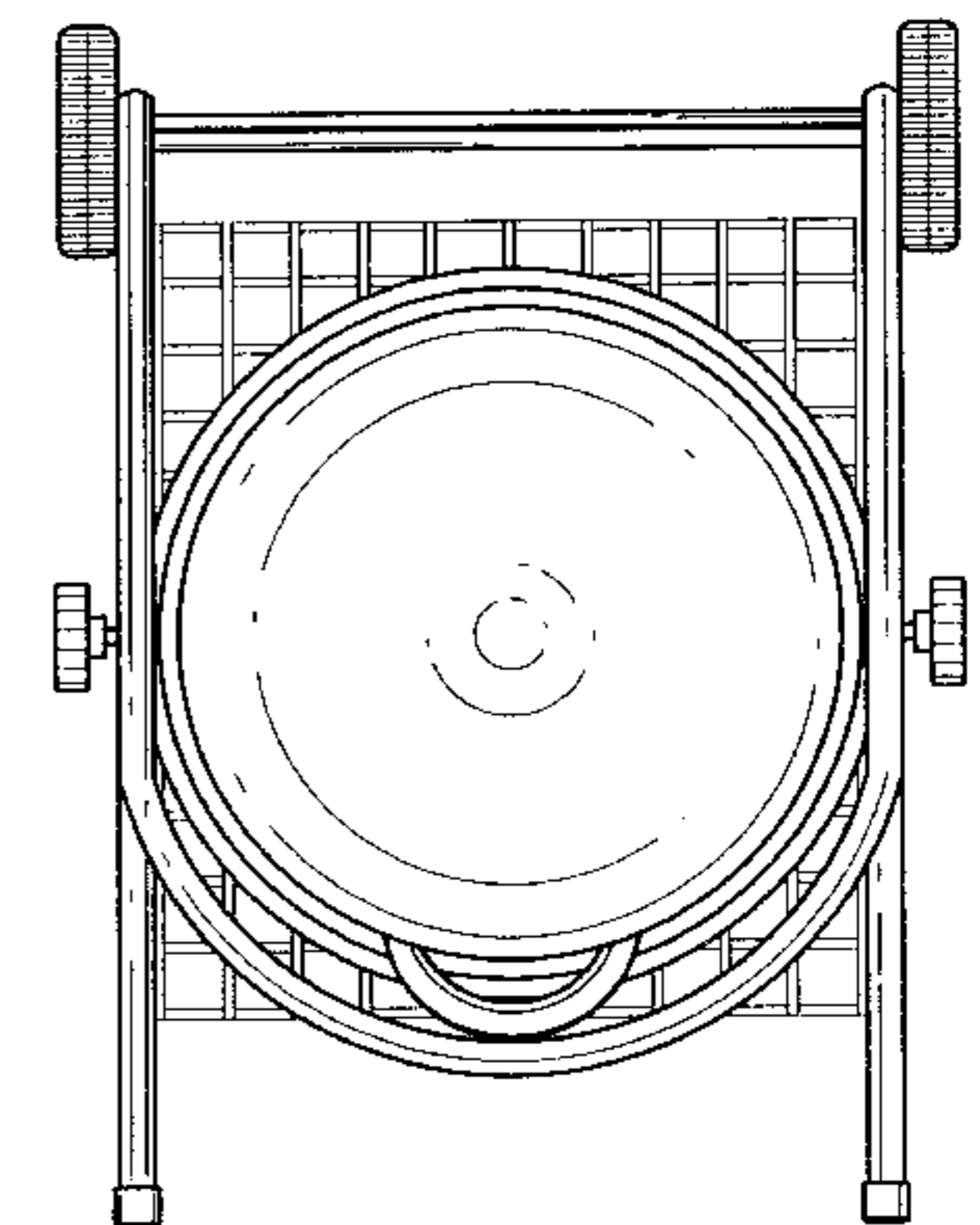
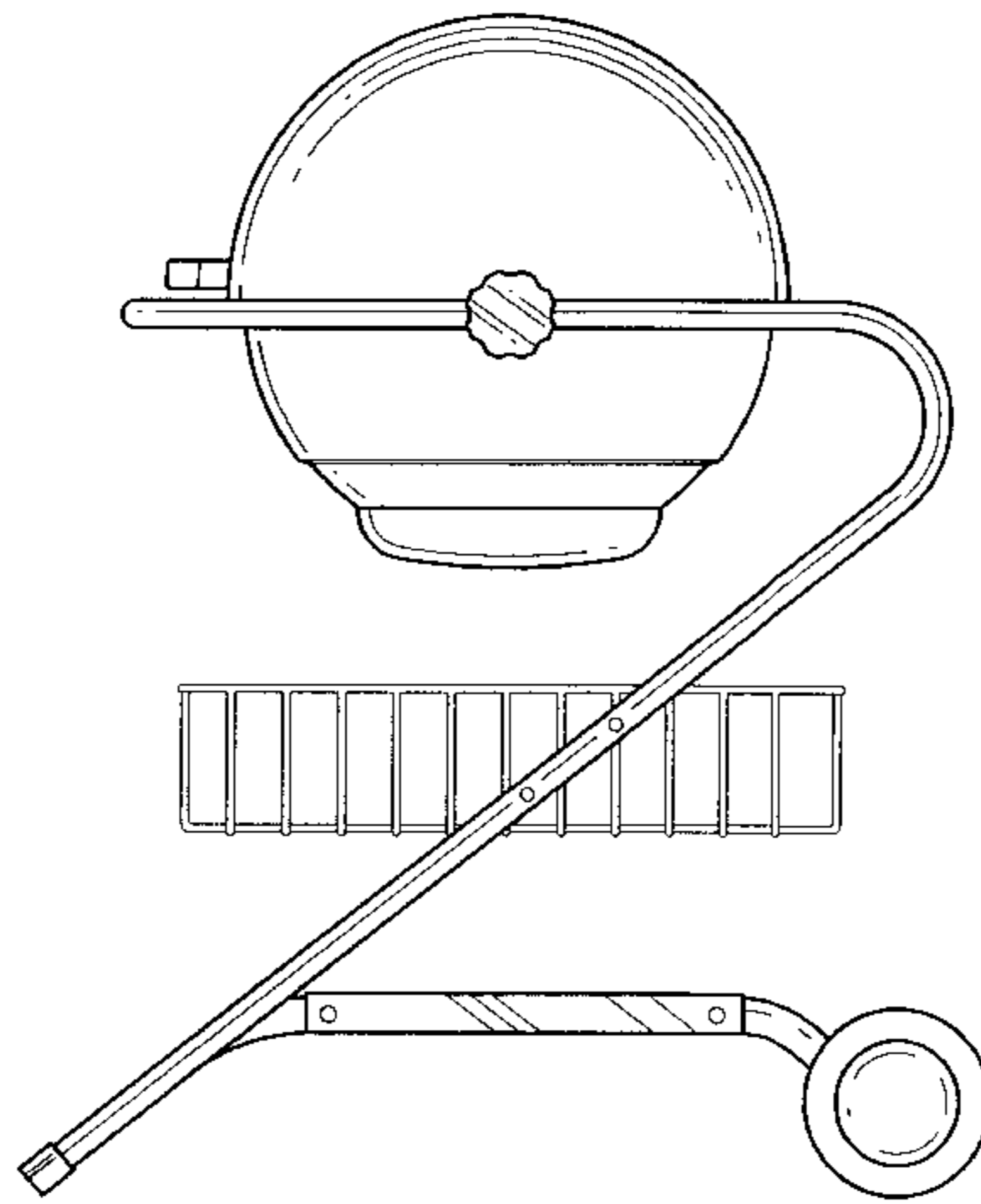
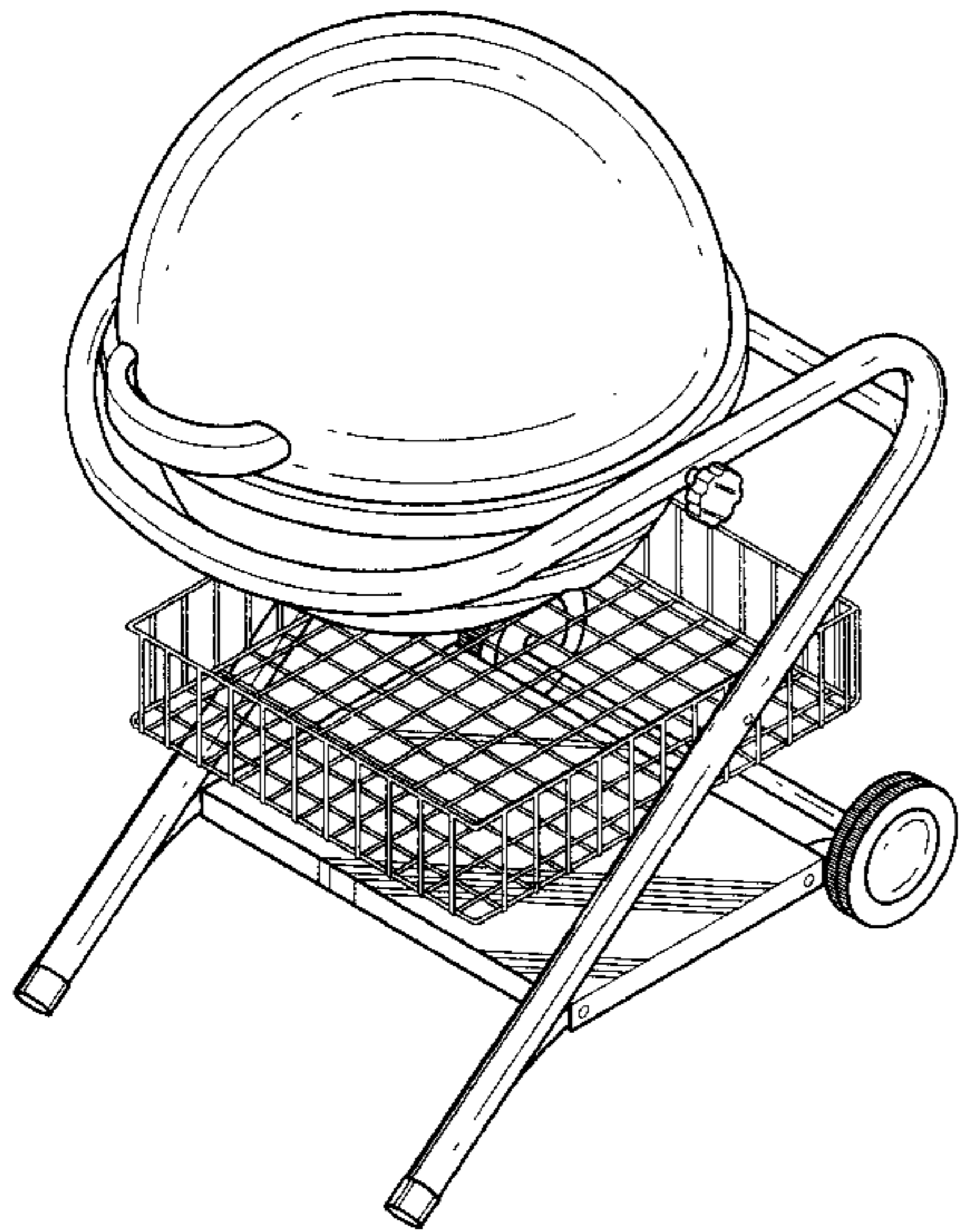
(57) **CLAIM**

The ornamental design for barbecue grill, as shown and described.

DESCRIPTION

FIG. 1 is the perspective view of a barbecue grill showing my new design;
FIG. 2 is the front elevational view thereof;
FIG. 3 is the rear elevational view thereof;
FIG. 4 is the left side elevational view thereof;
FIG. 5 is the right side elevational view thereof;
FIG. 6 is the top plan view thereof;
FIG. 7 is the bottom plan view thereof; and,
FIG. 8 is a perspective view thereof, showing the lid in an open position.

1 Claim, 5 Drawing Sheets



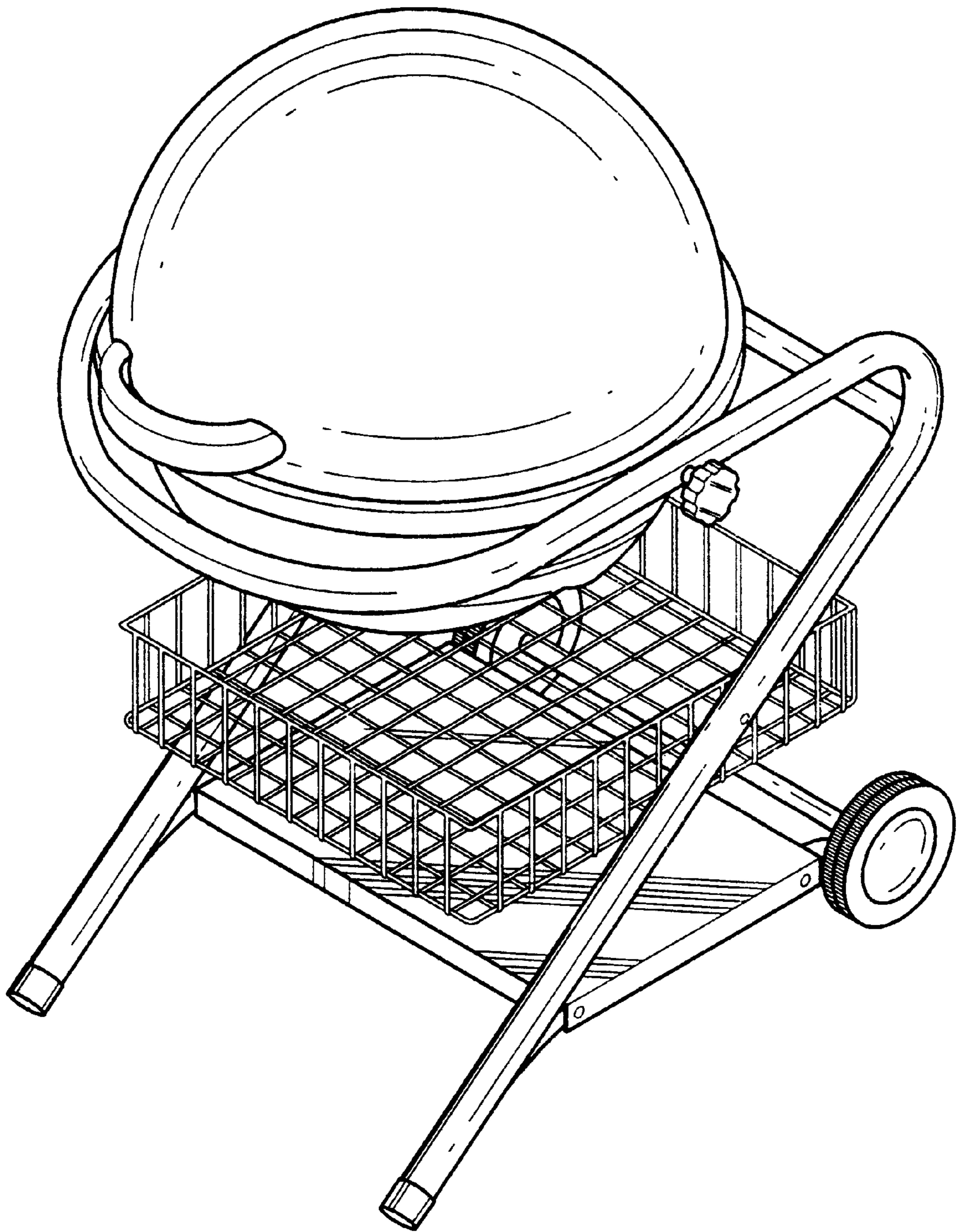


Fig. 1

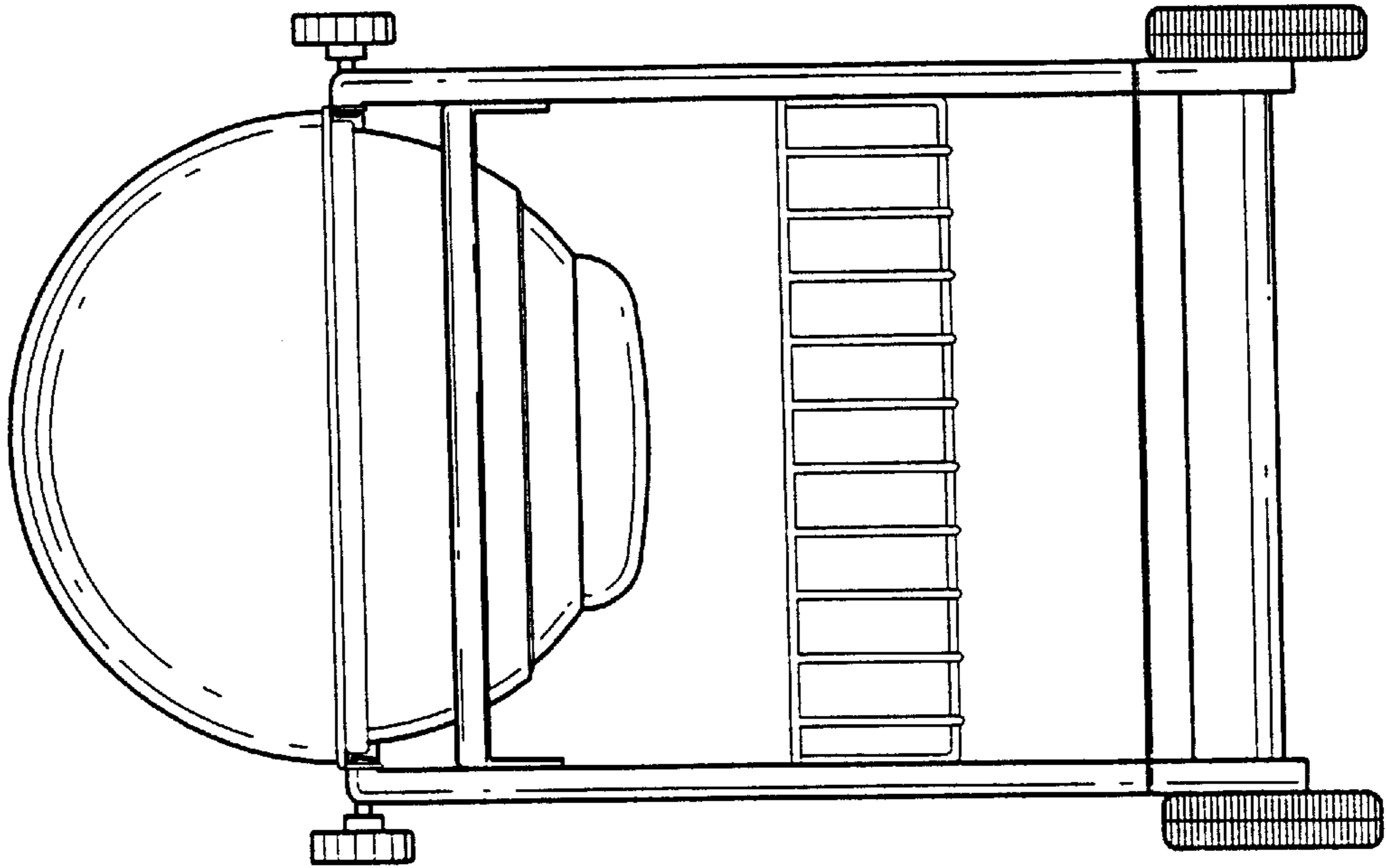


Fig. 3

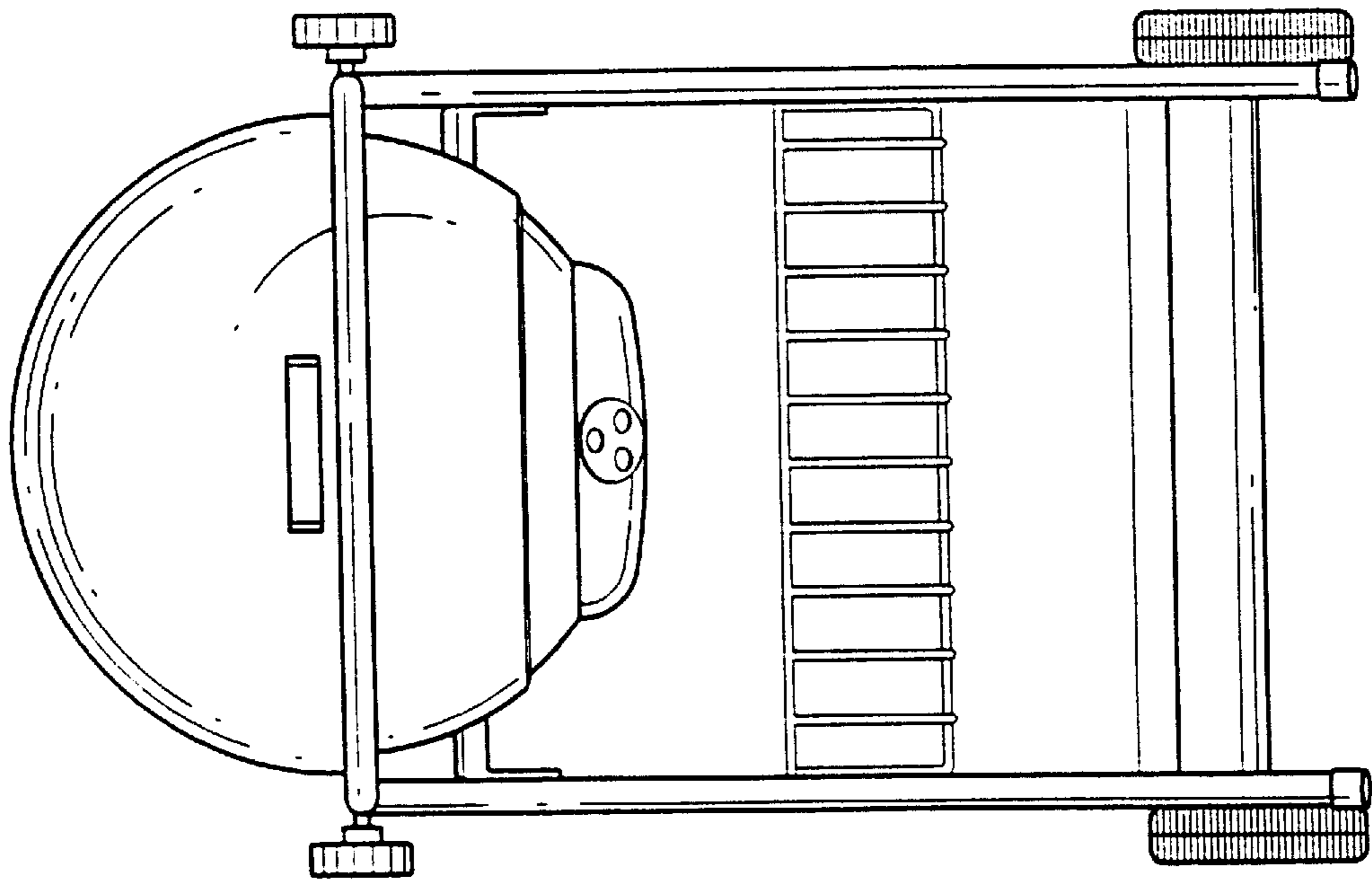


Fig. 2

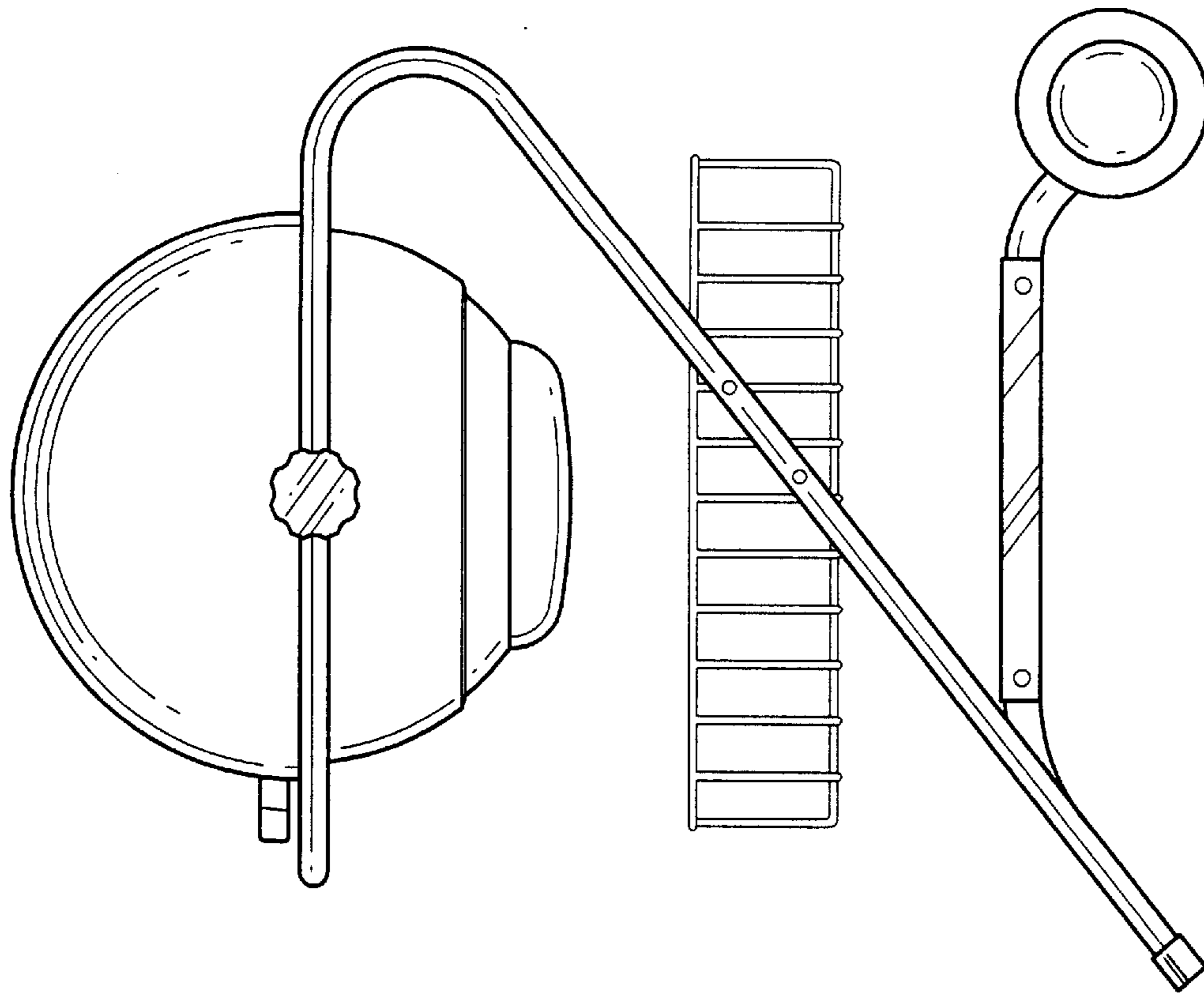


Fig. 5

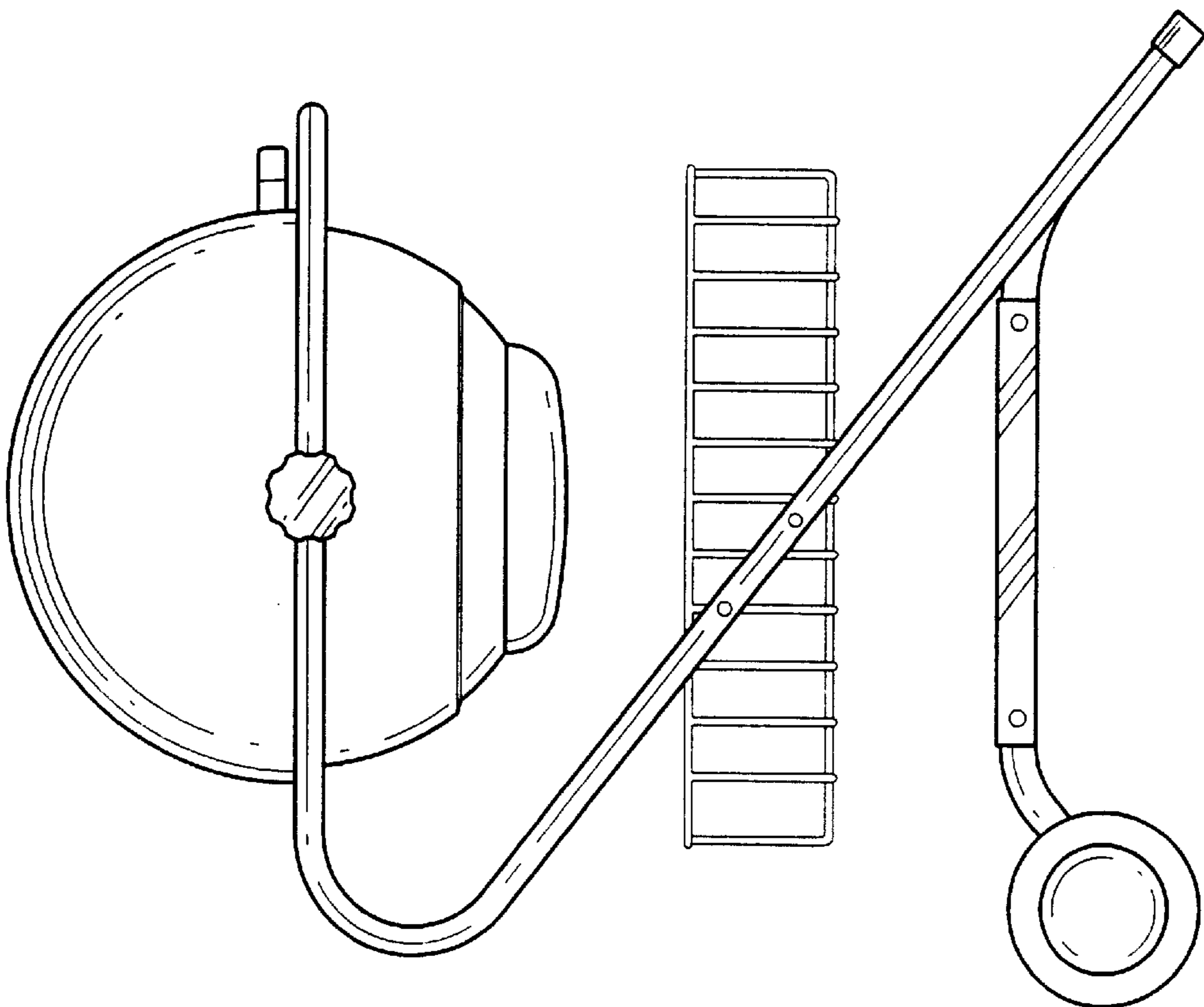


Fig. 4

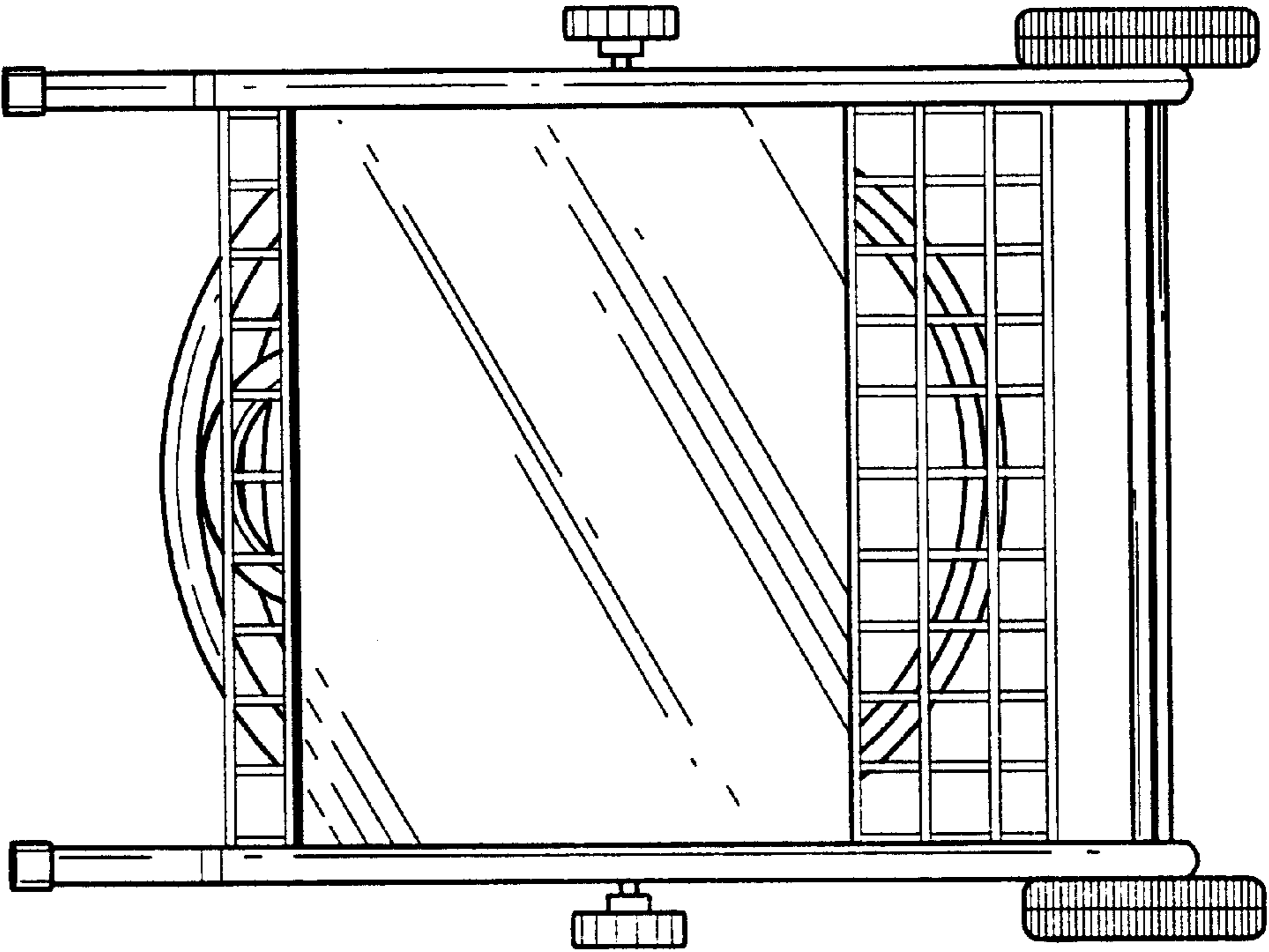


Fig. 7

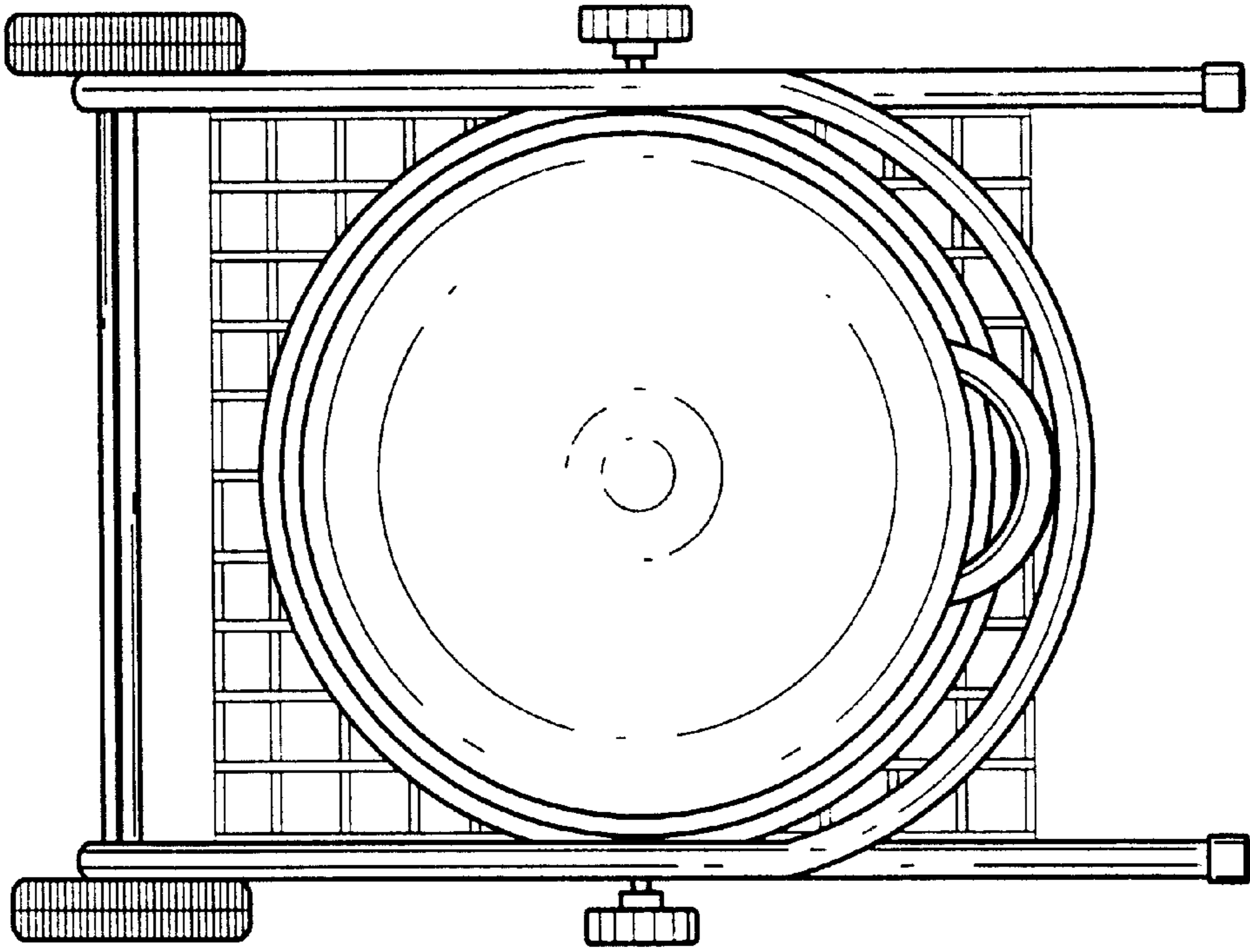


Fig. 6

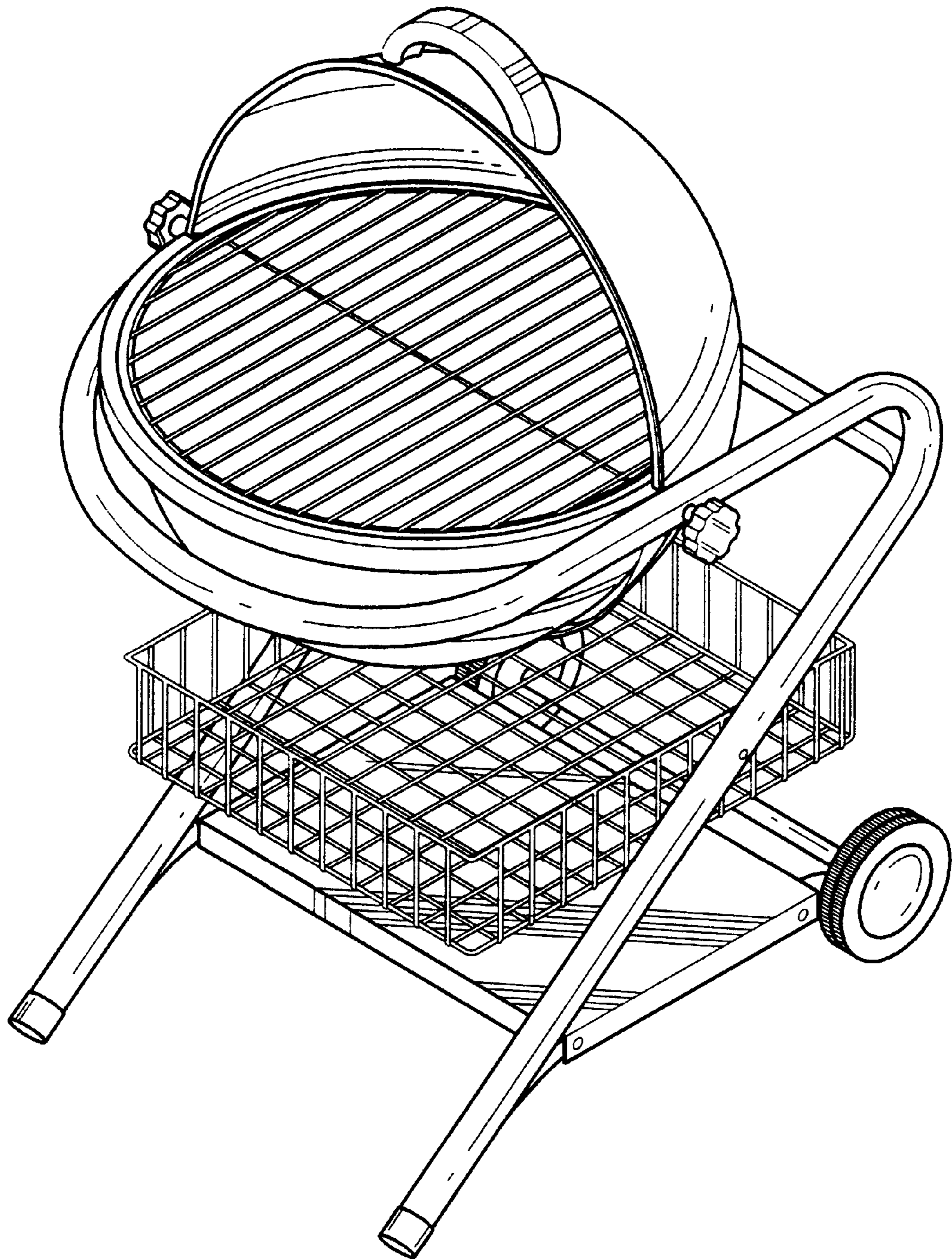


Fig. 8