



US00D456657S

(12) **United States Design Patent**
Mar

(10) **Patent No.:** **US D456,657 S**

(45) **Date of Patent:** **** May 7, 2002**

(54) **WALL MOUNTED, HANDS FREE BLOW DRYER HOLDER**

(76) **Inventor:** **Adriana Mar**, 405 Celeste St.,
Everman, TX (US) 76140

(**) **Term:** **14 Years**

(21) **Appl. No.:** **29/135,608**

(22) **Filed:** **Jan. 16, 2001**

(51) **LOC (7) Cl.** **06-04**

(52) **U.S. Cl.** **D6/567**

(58) **Field of Search** D6/553, 567; 211/13.1,
211/70.6, 86.01, 87.01, 96; 248/309.1, 312,
314, 315

(56) **References Cited**

U.S. PATENT DOCUMENTS

4,219,178	A	*	8/1980	Assion	248/314
4,453,695	A		6/1984	Sennott et al.		
4,659,907	A		4/1987	Andis et al.		
4,673,148	A	*	6/1987	Oliver	248/309.1 X
4,696,447	A	*	9/1987	Strecker	248/309.1 X
4,746,090	A	*	5/1988	Hamilton	248/314
5,279,048	A		1/1994	Lawall et al.		

5,313,716	A		5/1994	Wolfe		
5,386,644	A		2/1995	Lawall et al.		
5,485,931	A	*	1/1996	Barr, Jr.	211/70.6
5,613,305	A		3/1997	Narrin		
5,651,190	A		7/1997	Sanders		
5,956,861	A		9/1999	Barnes		

* cited by examiner

Primary Examiner—Brian N. Vinson

(74) *Attorney, Agent, or Firm*—John D. Gugliotta

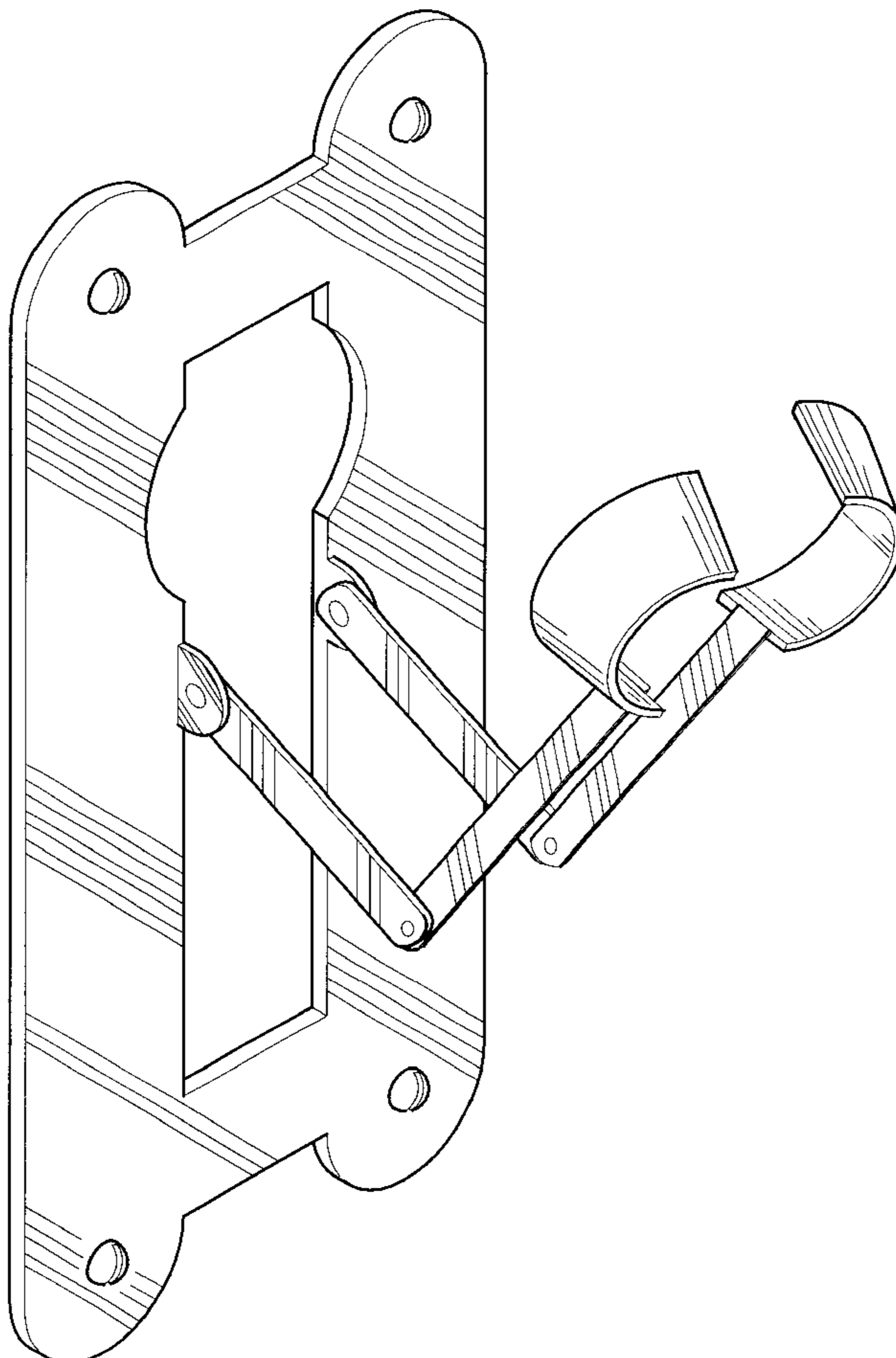
(57) **CLAIM**

The ornamental design for a wall mounted, hands free blow dryer holder, as shown and described.

DESCRIPTION

FIG. 1 is a perspective view of a wall mounted, hands free blow dryer holder showing my new design;
FIG. 2 is a front elevational view thereof;
FIG. 3 is a back elevational view thereof;
FIG. 4 is a left side elevational view thereof;
FIG. 5 is a right side elevational view thereof;
FIG. 6 is a top plan view; and,
FIG. 7 is a bottom plan view thereof.

1 Claim, 4 Drawing Sheets



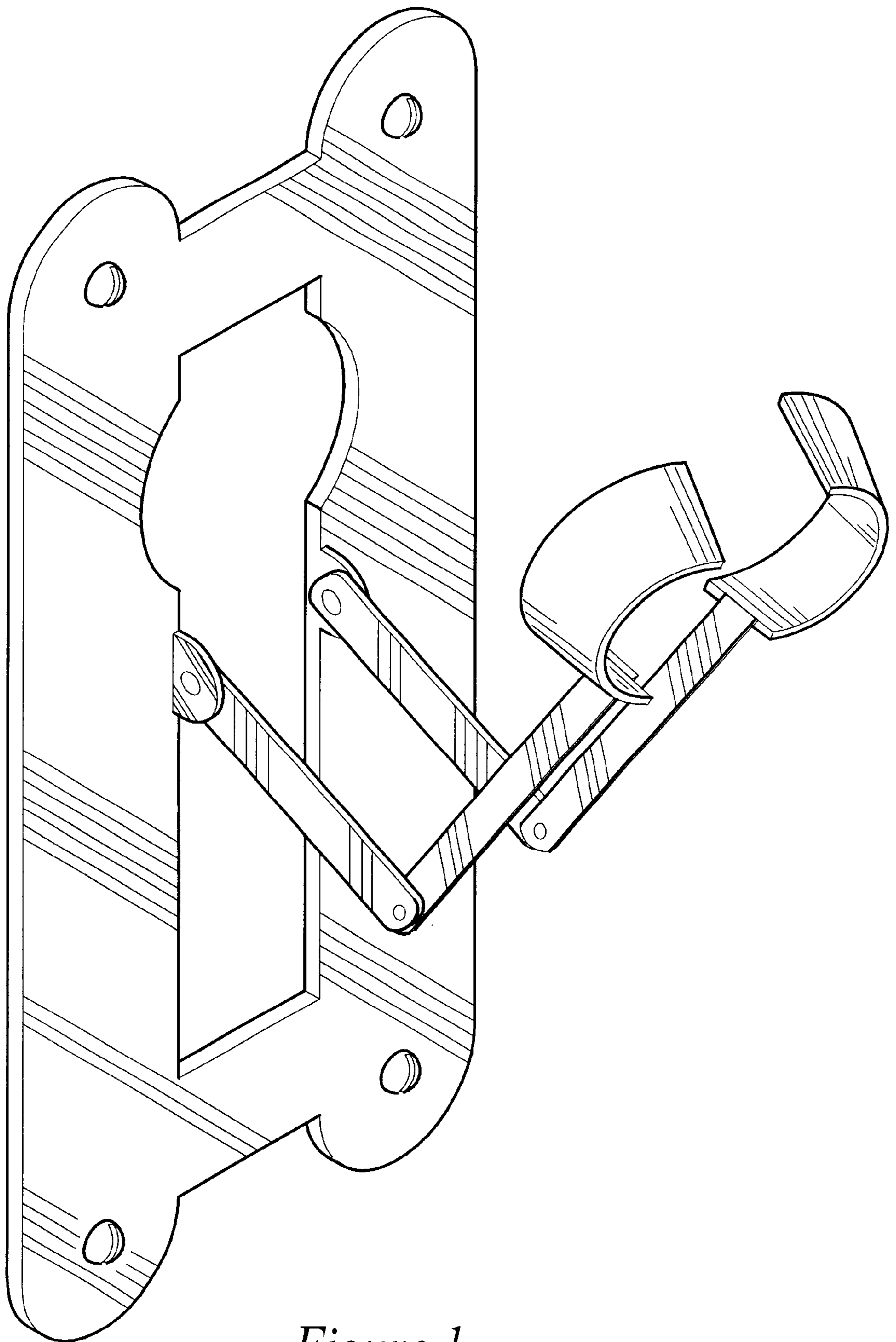


Figure 1

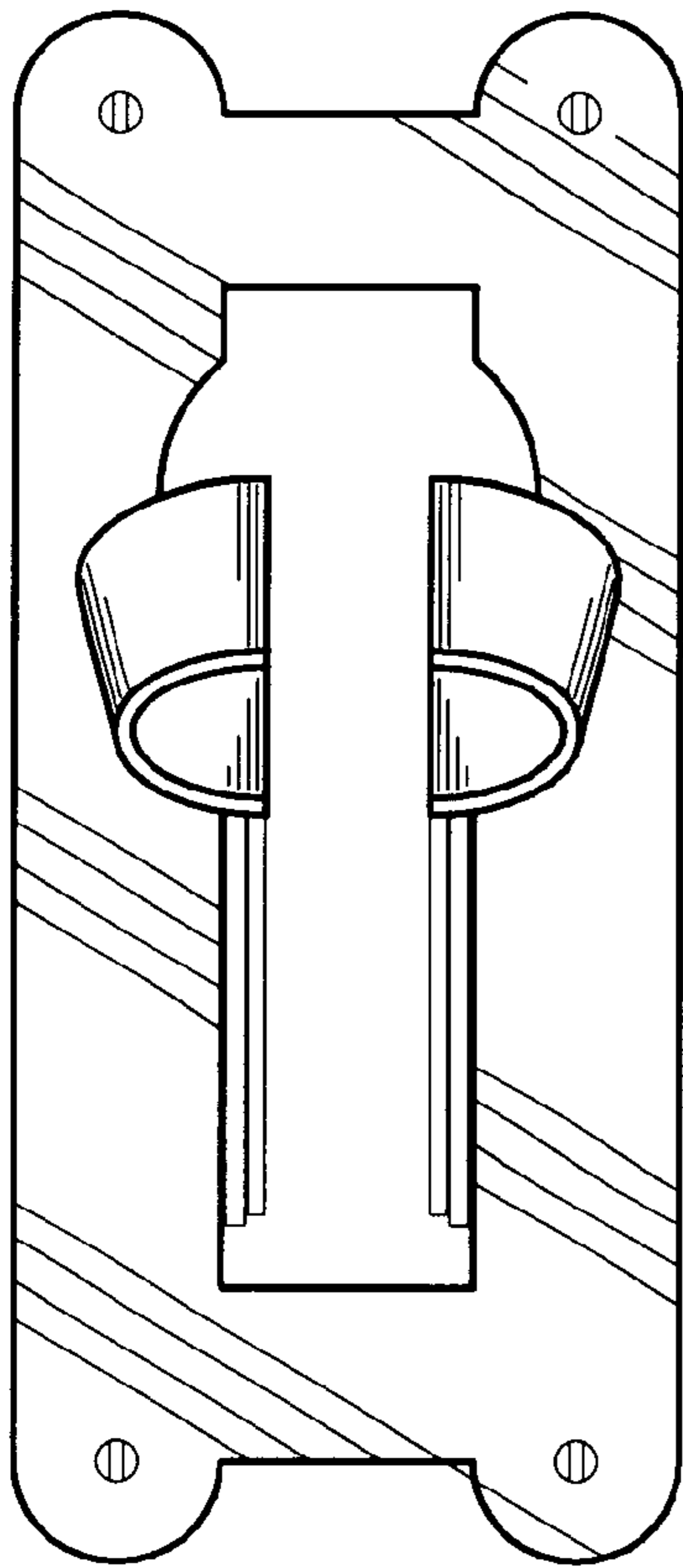


Figure 2

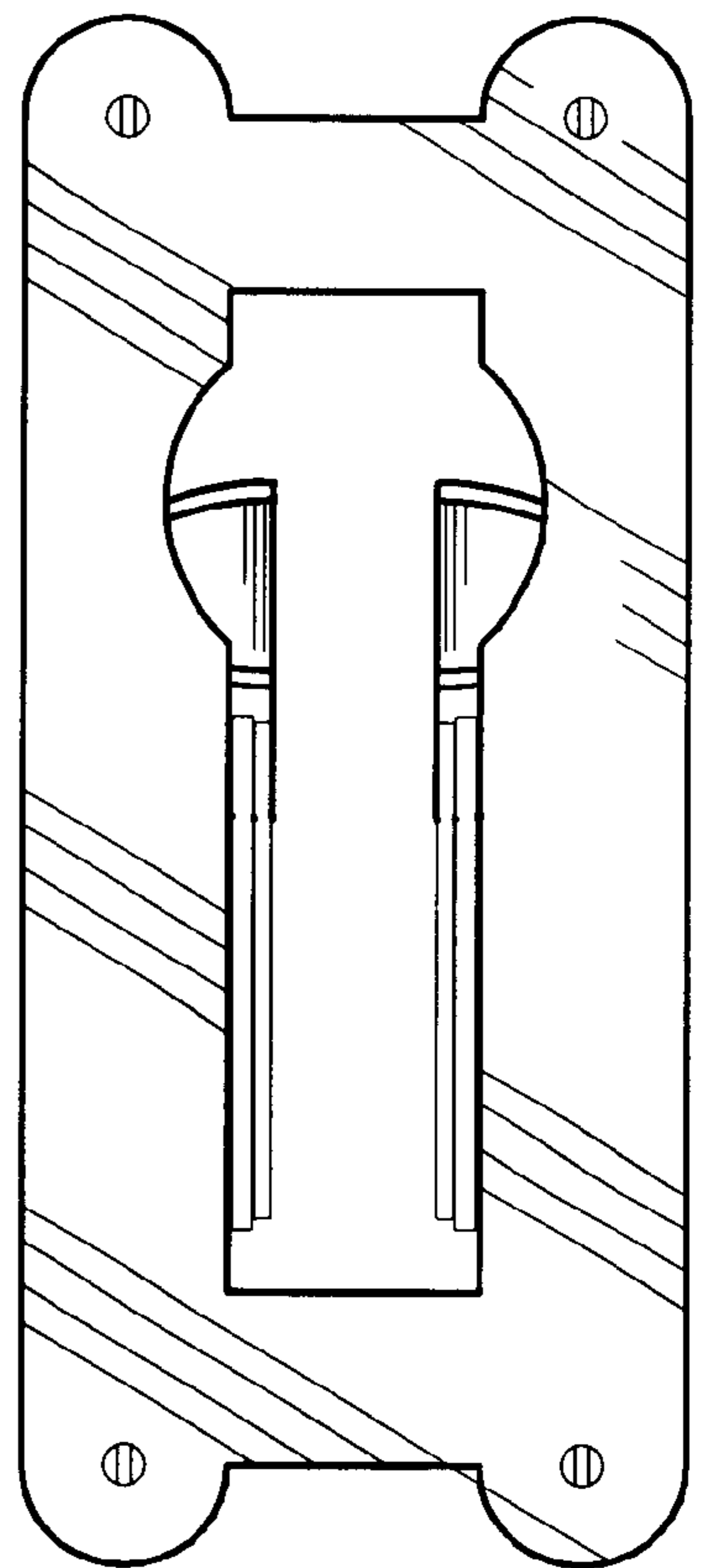


Figure 3

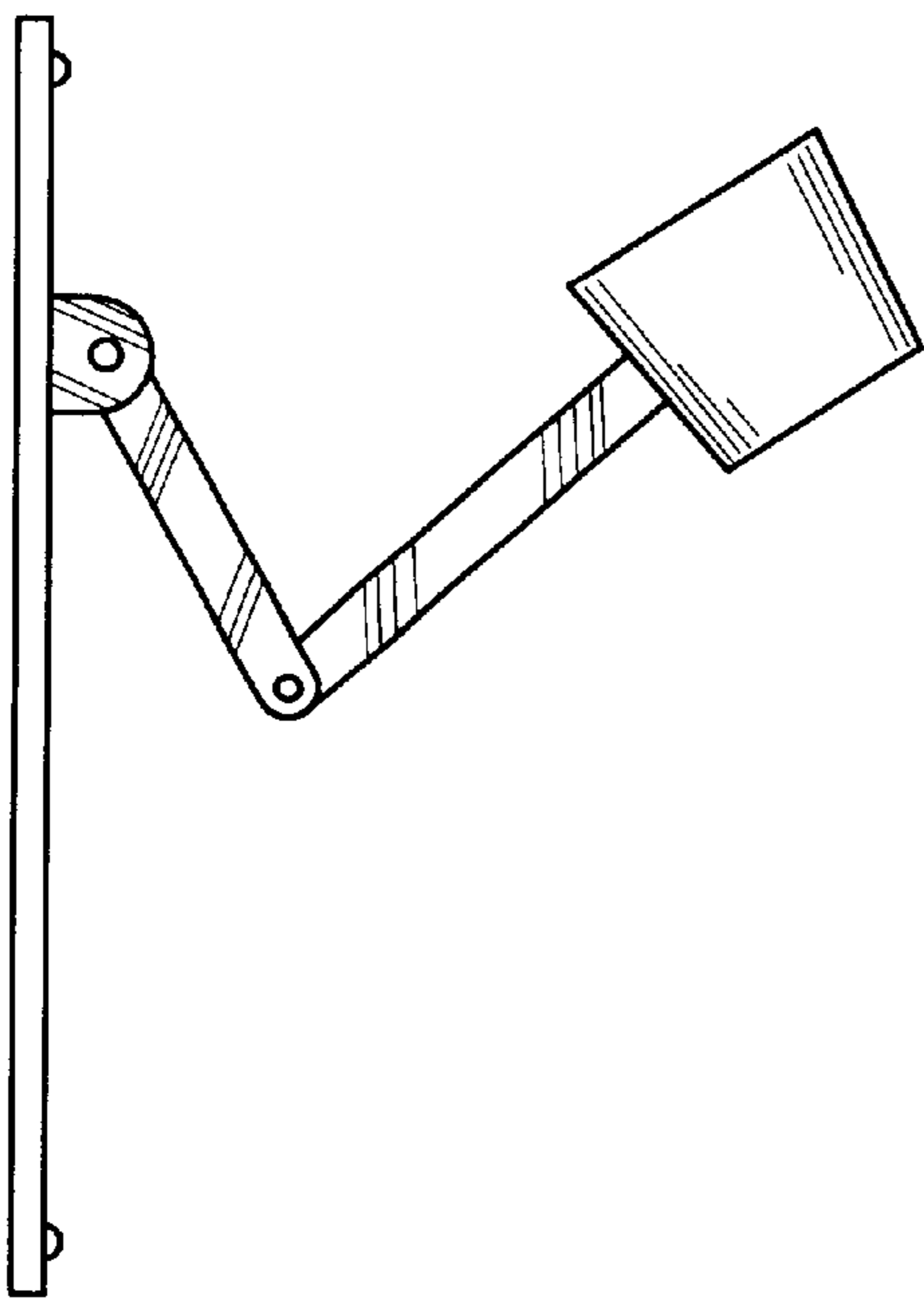


Figure 4

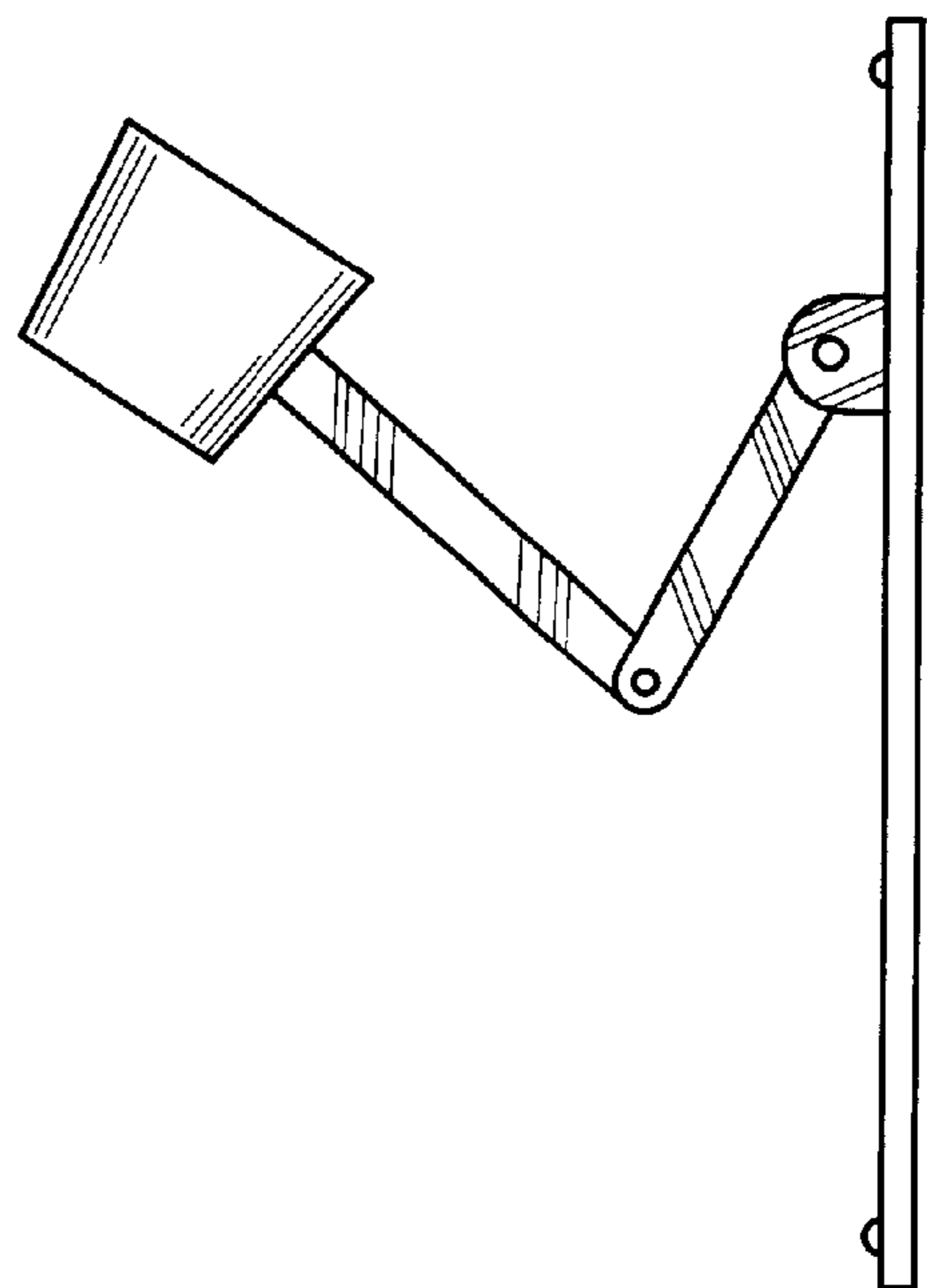


Figure 5

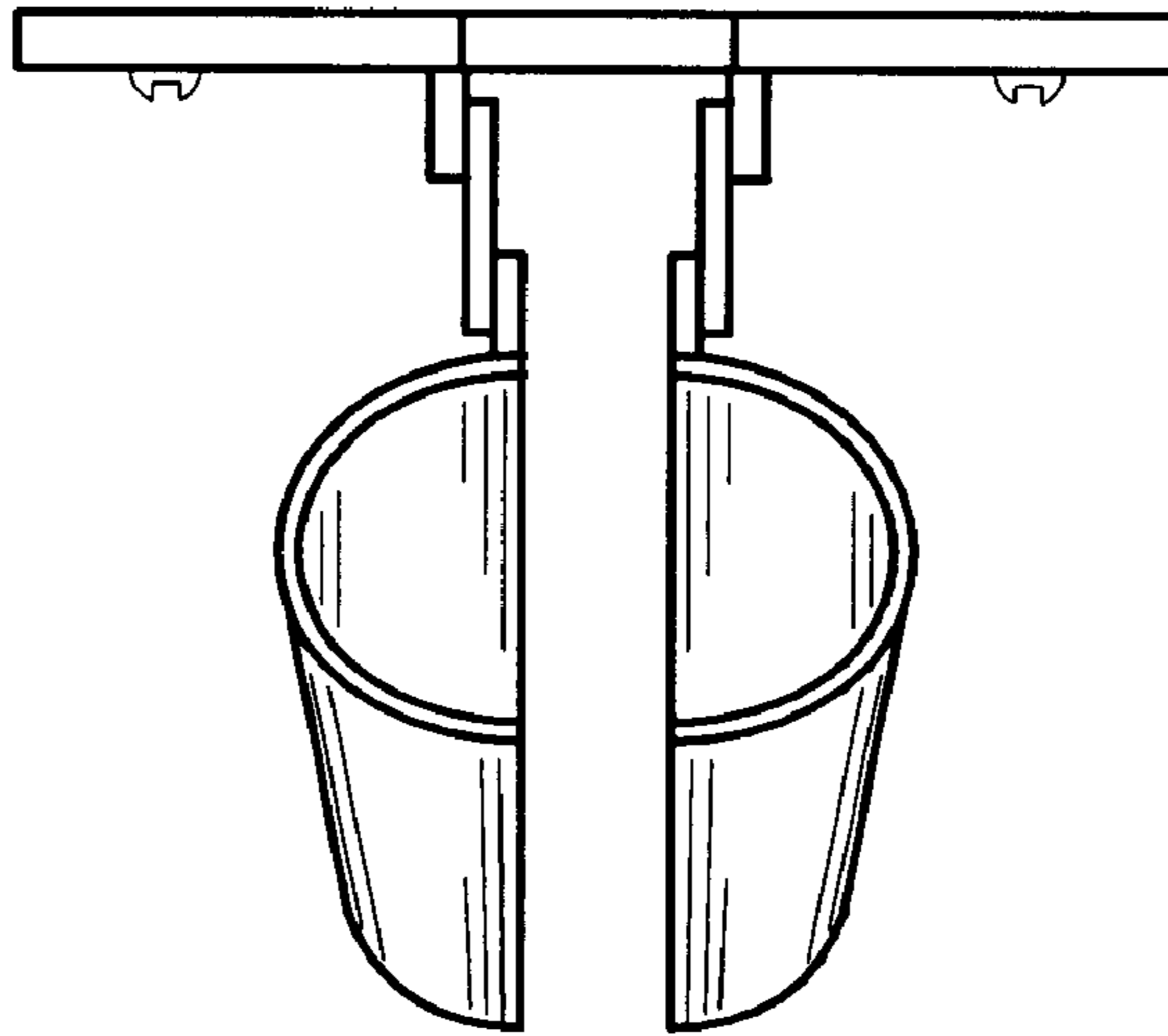


Figure 6

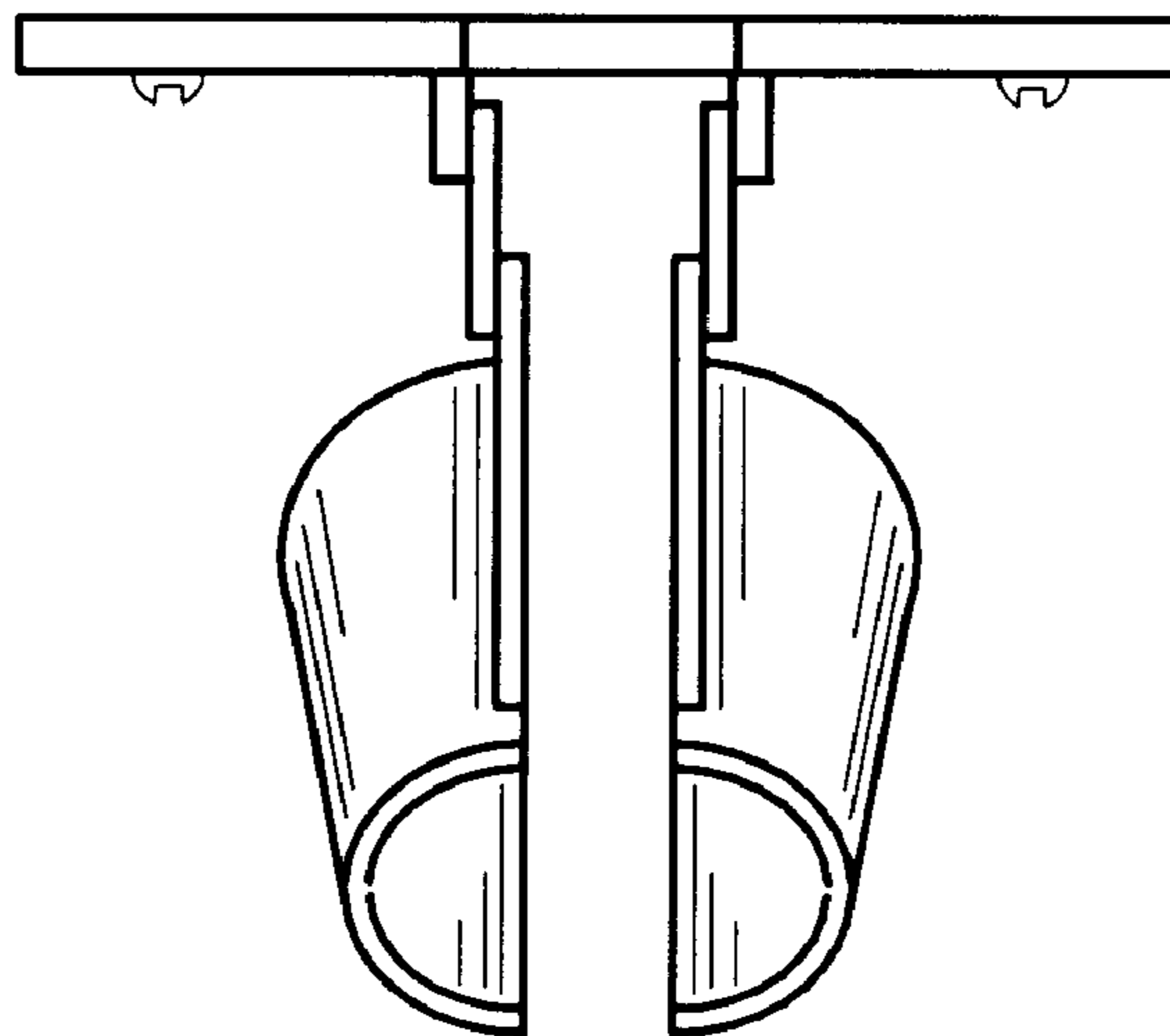


Figure 7