



US00D456651S

(12) **United States Design Patent**  
**Lindahl et al.**

(10) **Patent No.:** **US D456,651 S**

(45) **Date of Patent:** **\*\* May 7, 2002**

(54) **HACKSAW BLADE DISPENSER**

(75) Inventors: **Richard Lindahl**, Malmö ; **Tord Englund**, Alfta; **Staffan Garras**, Edsbyn; **Sture Alm**, Lidköping, all of (SE)

(73) Assignee: **Kapman AB**, Sandviken (SE)

(\*\*) Term: **14 Years**

(21) Appl. No.: **29/130,166**

(22) Filed: **Sep. 29, 2000**

(30) **Foreign Application Priority Data**

Apr. 5, 2000 (SE) ..... 00-0679

(51) **LOC (7) Cl.** ..... **20-02**

(52) **U.S. Cl.** ..... **D6/515**

(58) **Field of Search** ..... D6/515, 516, 517; 206/349; 211/13.1; 221/45, 282-286; 222/173

(56) **References Cited**

**U.S. PATENT DOCUMENTS**

D333,399 S	*	2/1993	Thomas, Jr.	.....	D6/515
D402,837 S	*	12/1998	Boire et al.	.....	D6/515
D402,838 S	*	12/1998	Sherbet	.....	D6/515
D405,099 S	*	2/1999	Wood	.....	D6/515 X
D445,185 S	*	7/2001	Najmi	.....	D6/515 X

\* cited by examiner

*Primary Examiner*—Brian N. Vinson  
(74) *Attorney, Agent, or Firm*—Burns, Doane, Swecker & Mathis, L.L.P.

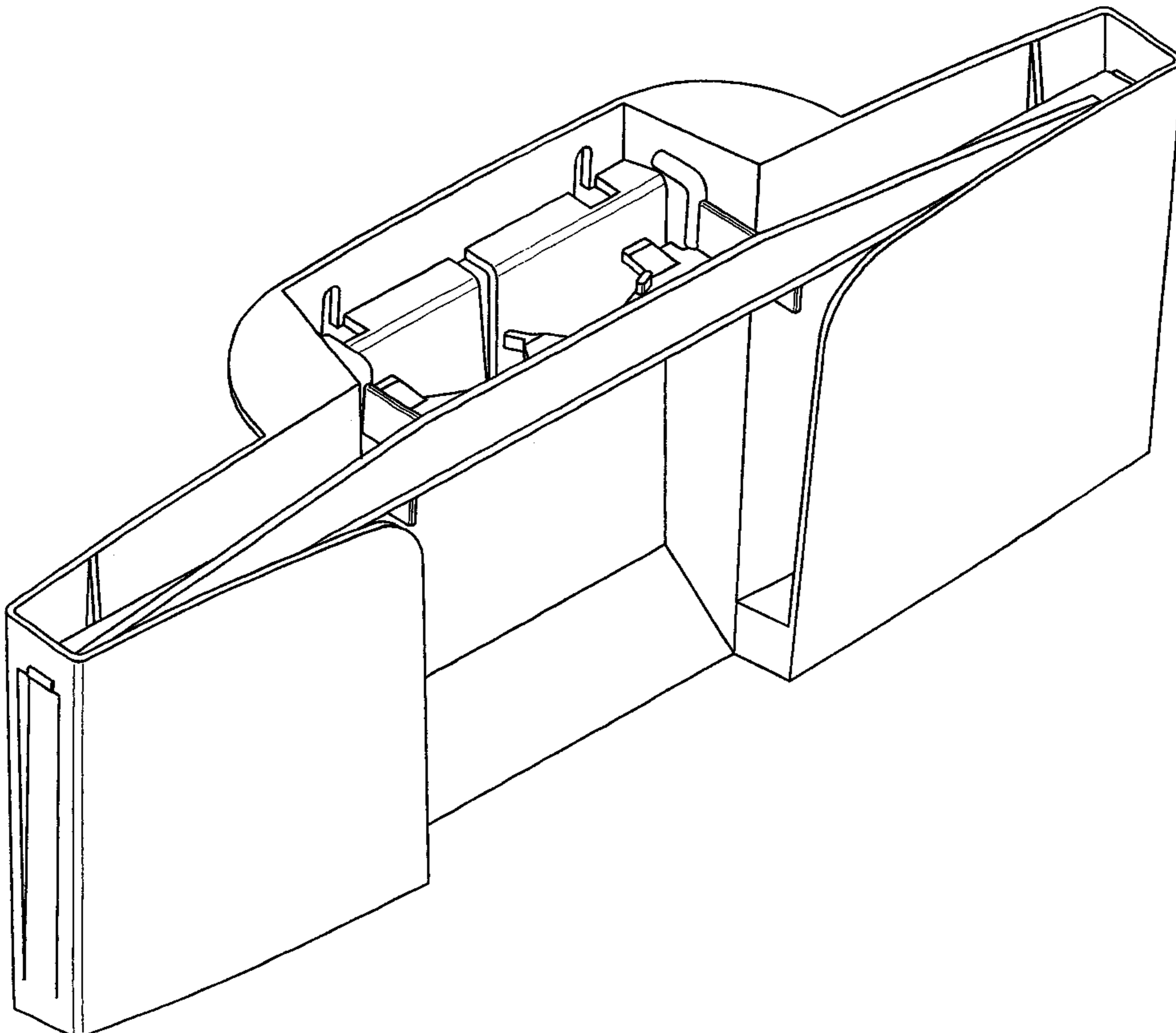
(57) **CLAIM**

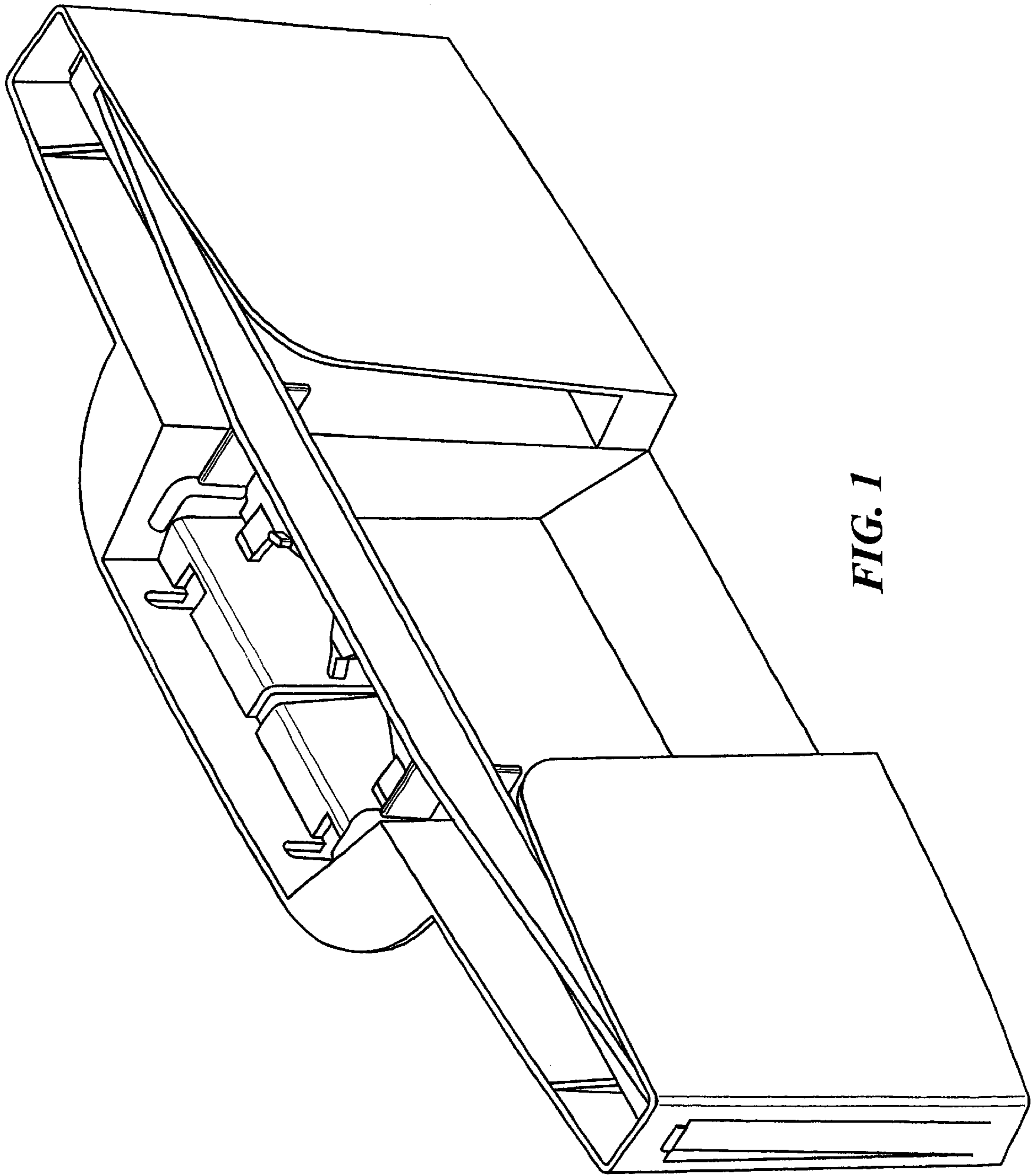
The ornamental design for a hacksaw blade dispenser, as shown and described.

**DESCRIPTION**

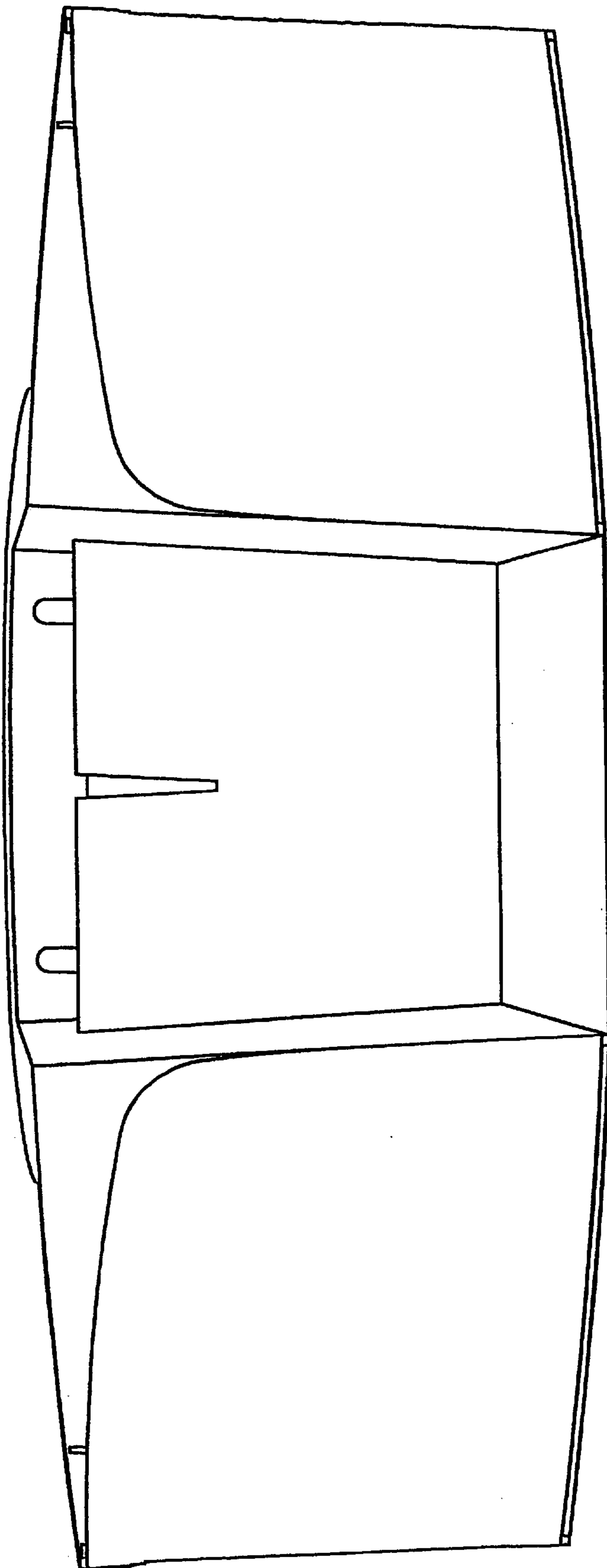
FIG. 1 is a front, side perspective view of a hacksaw blade dispenser showing our new design;  
FIG. 2 is a front elevational view of the dispenser box, with the locking unit removed for clarity;  
FIG. 3 is a rear elevational view thereof;  
FIG. 4 is a bottom plan view thereof;  
FIG. 5 is a top view thereof;  
FIG. 6 is a left side elevational view thereof;  
FIG. 7 is a side elevational view thereof;  
FIG. 8 is a rear view of the locking unit shown in FIG. 1;  
FIG. 9 is a top plan view thereof;  
FIG. 10 is a right side elevational view thereof;  
FIG. 11 is a front elevational view thereof;  
FIG. 12 is a bottom plan view thereof; and,  
FIG. 13 is a left side elevational view thereof.

**1 Claim, 7 Drawing Sheets**

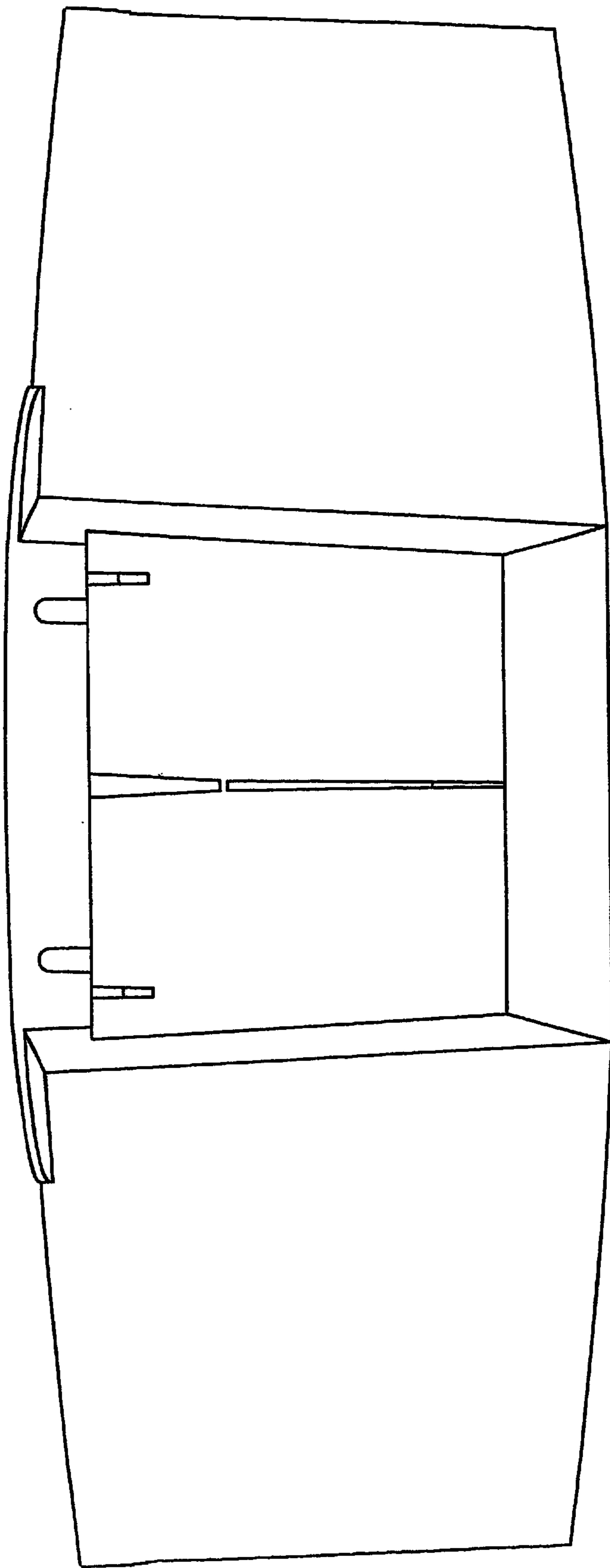




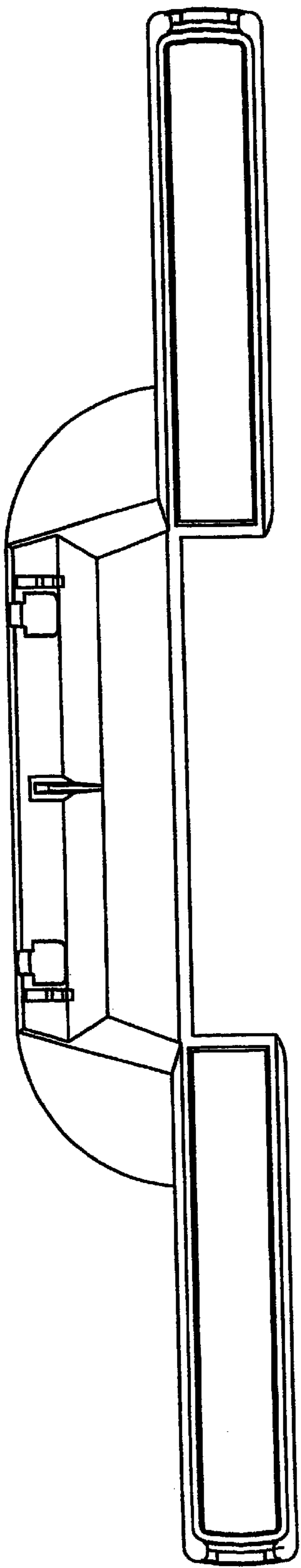
**FIG. 1**



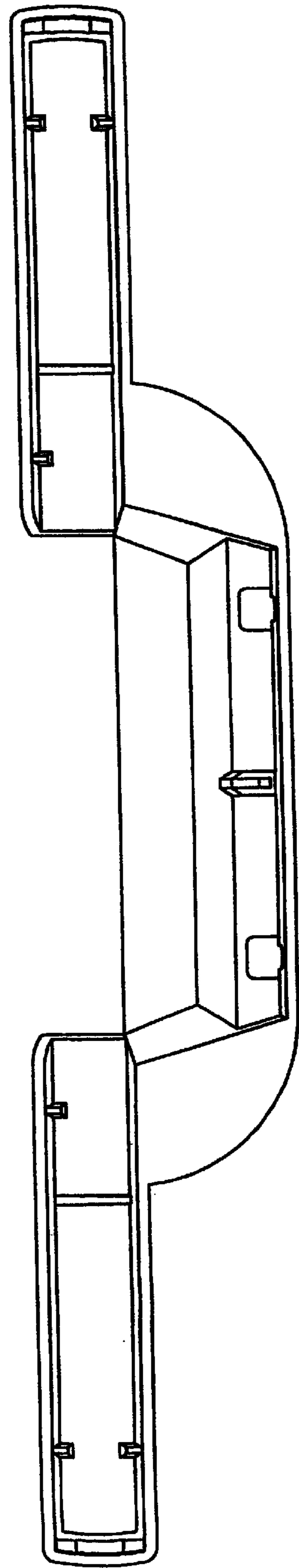
*FIG. 2*



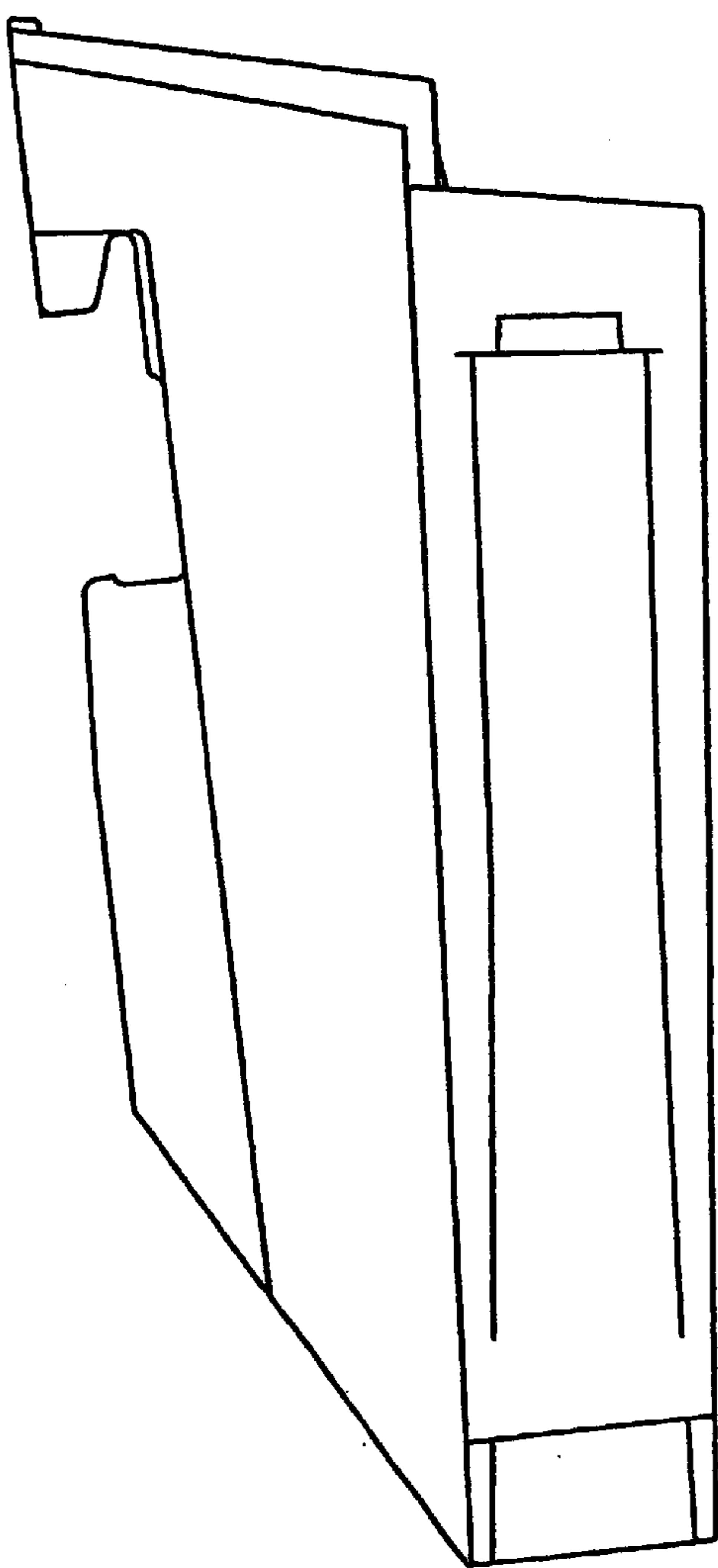
**FIG. 3**



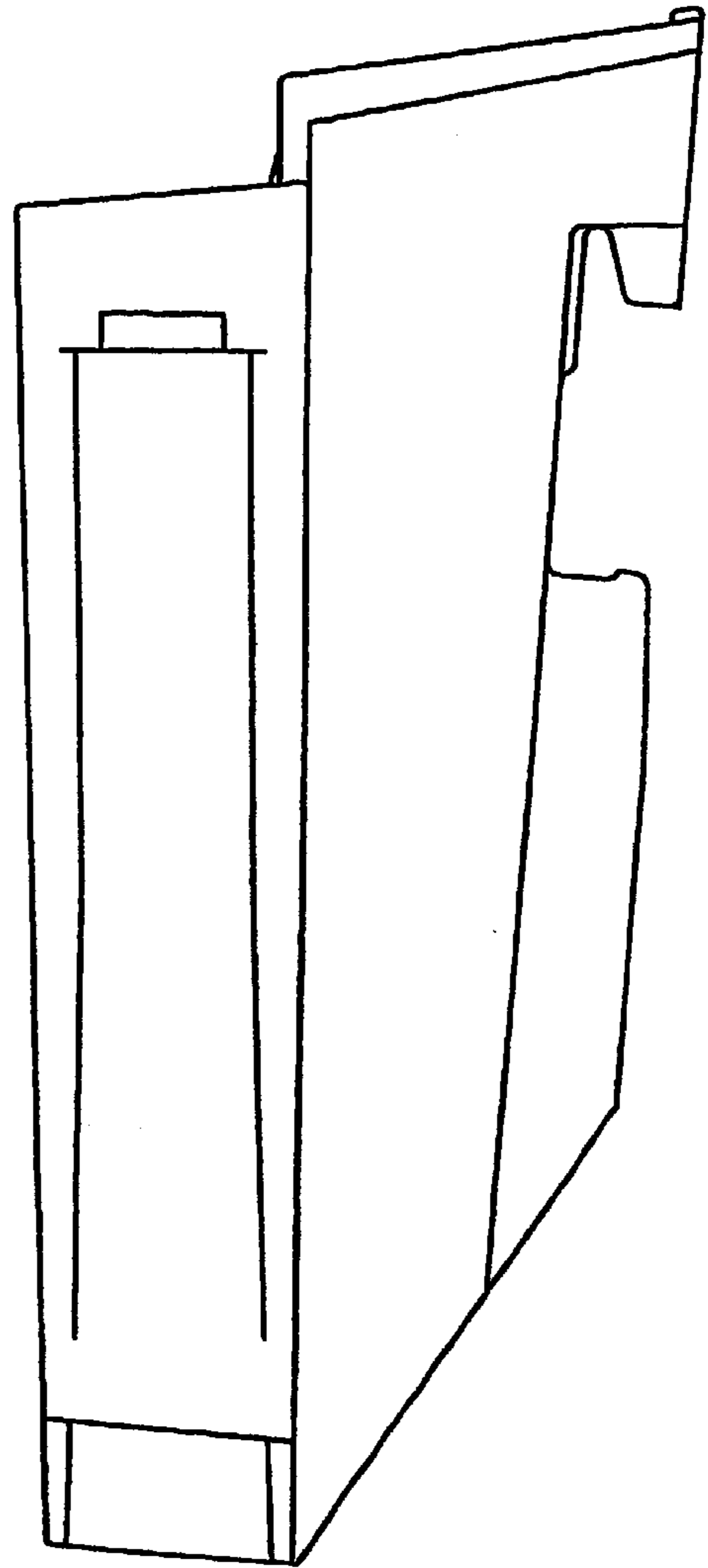
*FIG. 4*



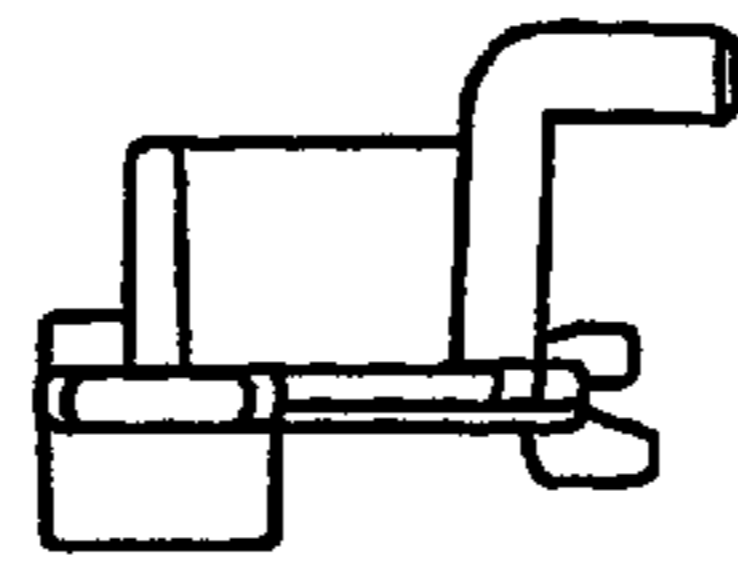
*FIG. 5*



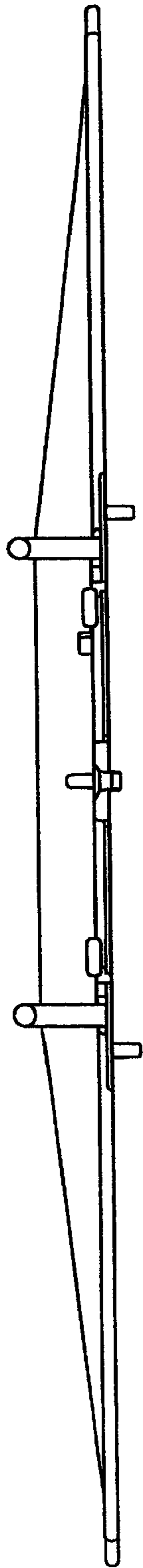
**FIG. 6**



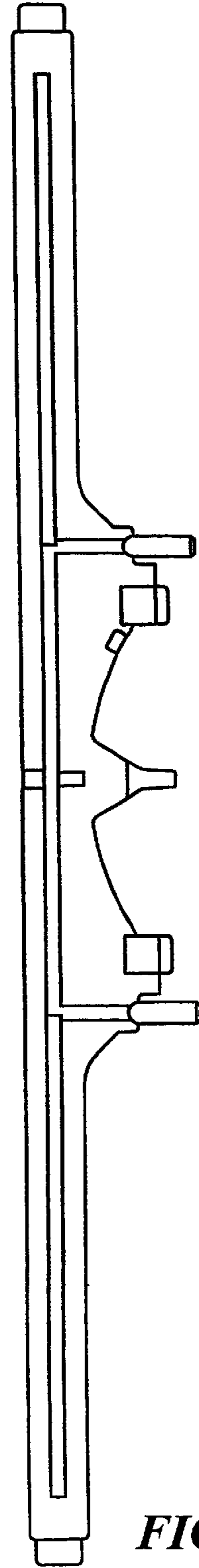
**FIG. 7**



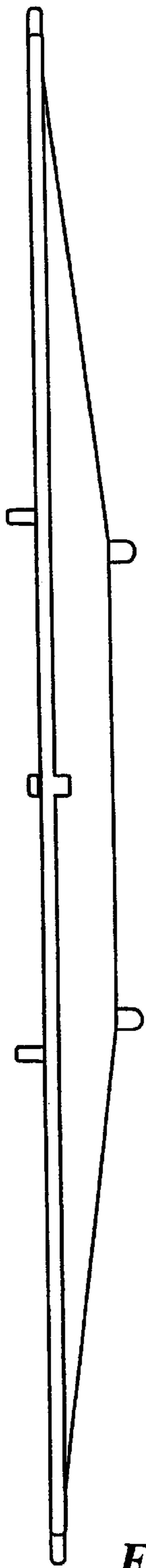
*FIG. 10*



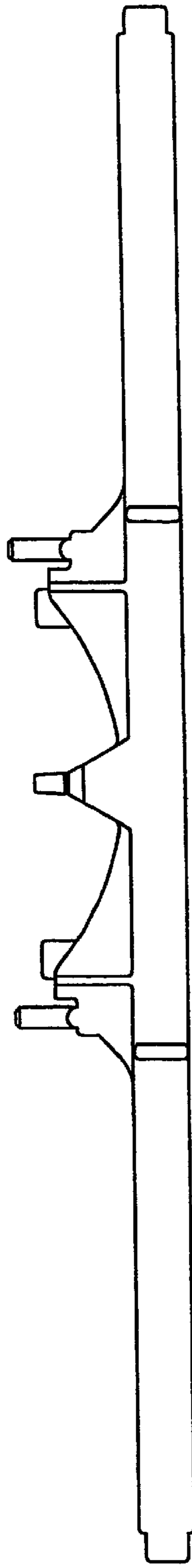
*FIG. 8*



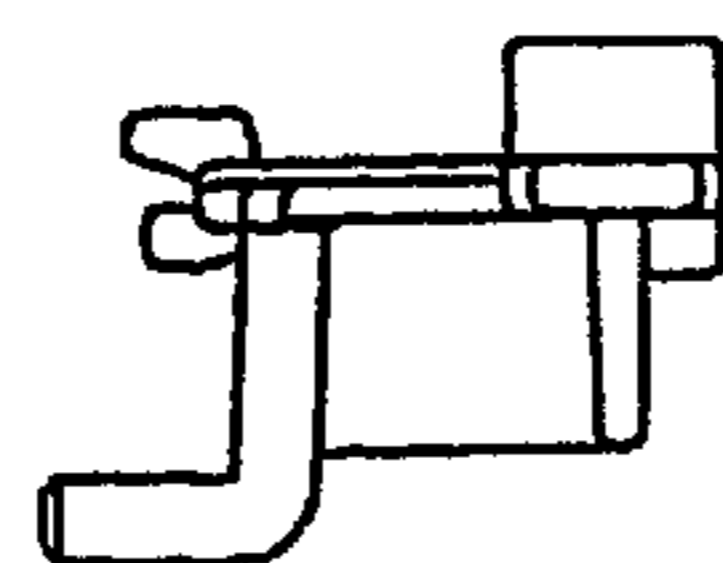
*FIG. 9*



*FIG. 11*



*FIG. 12*



*FIG. 13*